



US00D466448S

(12) **United States Design Patent**  
**Pfeiffer et al.**

(10) **Patent No.:** **US D466,448 S**

(45) **Date of Patent:** **\*\* Dec. 3, 2002**

(54) **SURFACE CONFIGURATION OF A VEHICLE AND/OR TOY**

(75) Inventors: **Peter Pfeiffer**, Boeblingen (DE);  
**Hans-Dieter Futschik**, Gechingen (DE)

(73) Assignee: **DaimlerChrysler AG**, Stuttgart (DE)

(\*\*) Term: **14 Years**

(21) Appl. No.: **29/157,027**

(22) Filed: **Mar. 13, 2002**

**Related U.S. Application Data**

(63) Continuation of application No. 29/139,932, filed on Apr. 10, 2001.

(51) **LOC (7) Cl.** ..... **12-08**

(52) **U.S. Cl.** ..... **D12/92; D12/86**

(58) **Field of Search** ..... **D12/90-92, 86;**  
**D21/424, 433; 296/185**

(56) **References Cited**

**U.S. PATENT DOCUMENTS**

D419,488 S	*	1/2000	Sacco et al. ....	D12/92
D432,951 S	*	10/2000	Pfeiffer et al. ....	D12/92
D434,346 S	*	11/2000	Pfeiffer et al. ....	D12/92
D439,955 S	*	3/2001	Sacco et al. ....	D12/92
D433,653 S	*	11/2001	Sacco et al. ....	D12/92

\* cited by examiner

*Primary Examiner*—Melody N. Brown

(74) *Attorney, Agent, or Firm*—Crowell & Moring LLP

(57) **CLAIM**

The ornamental design for a surface configuration of a vehicle and/or toy, as shown and described.

**DESCRIPTION**

This application is related to the following co-pending applications, of the inventors, filed on even date herewith: application Ser. No. 29/157,026, entitled "Surface Configuration of a Vehicle and Toy"; and application Ser. No. 29/157,302, entitled "Surface Configuration of a Vehicle and Toy".

FIG. 1 is a front, left perspective view of a surface configuration of a vehicle and/or toy according to our novel design; FIG. 2 is a rear, left perspective view of the surface configuration of a vehicle and/or toy according to our novel design;

FIG. 3 is a front, right perspective view of the surface configuration of a vehicle and/or toy according to our novel design;

FIG. 4 is a rear, right perspective view of the surface configuration of a vehicle and/or toy according to our novel design;

FIG. 5 is a left side view of the surface configuration of a vehicle and/or toy according to our novel design;

FIG. 6 is a right side view of the surface configuration of a vehicle and/or toy according to our novel design;

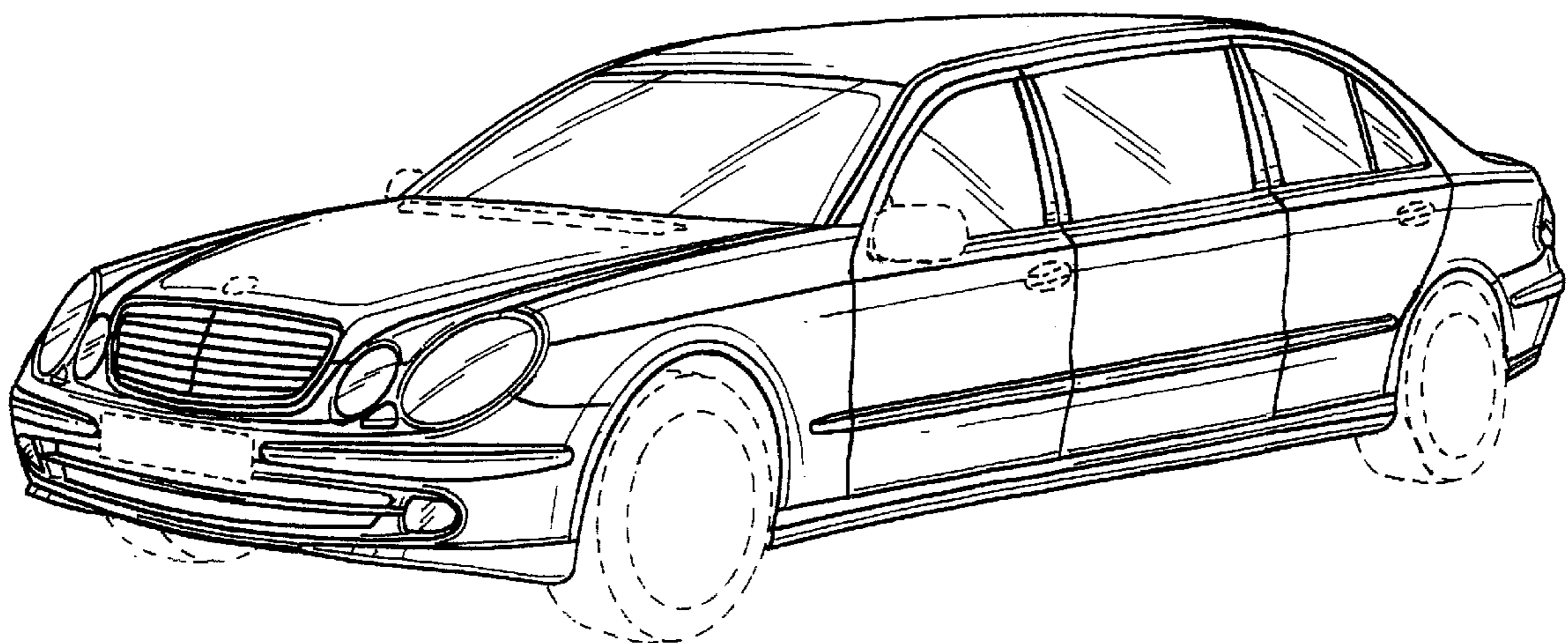
FIG. 7 is a front view of the surface configuration of a vehicle and/or toy according to our novel design;

FIG. 8 is a rear view of the surface configuration of a vehicle and/or toy according to our novel design; and,

FIG. 9 is a top view of the surface configuration of a vehicle and/or toy according to our novel design.

The wheels shown in broken lines are for illustrative purposes only and form no part of the claimed design.

**1 Claim, 5 Drawing Sheets**



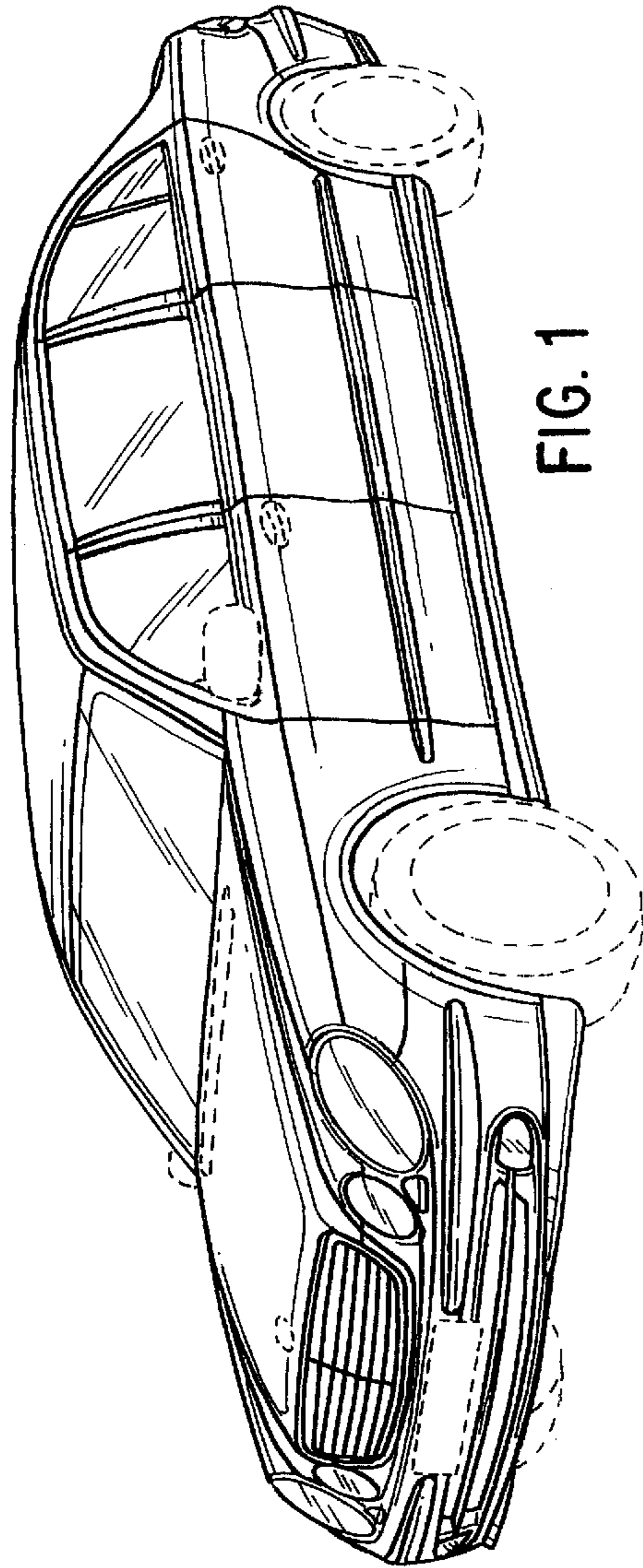


FIG. 1

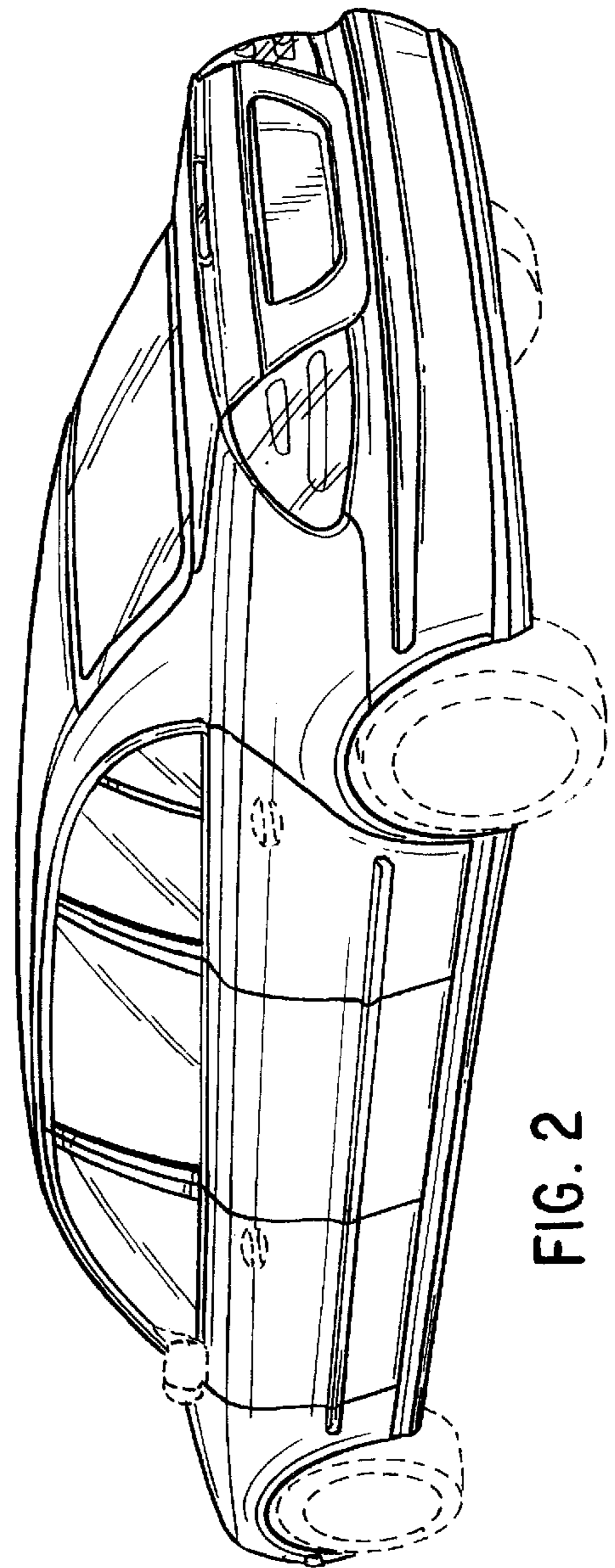


FIG. 2

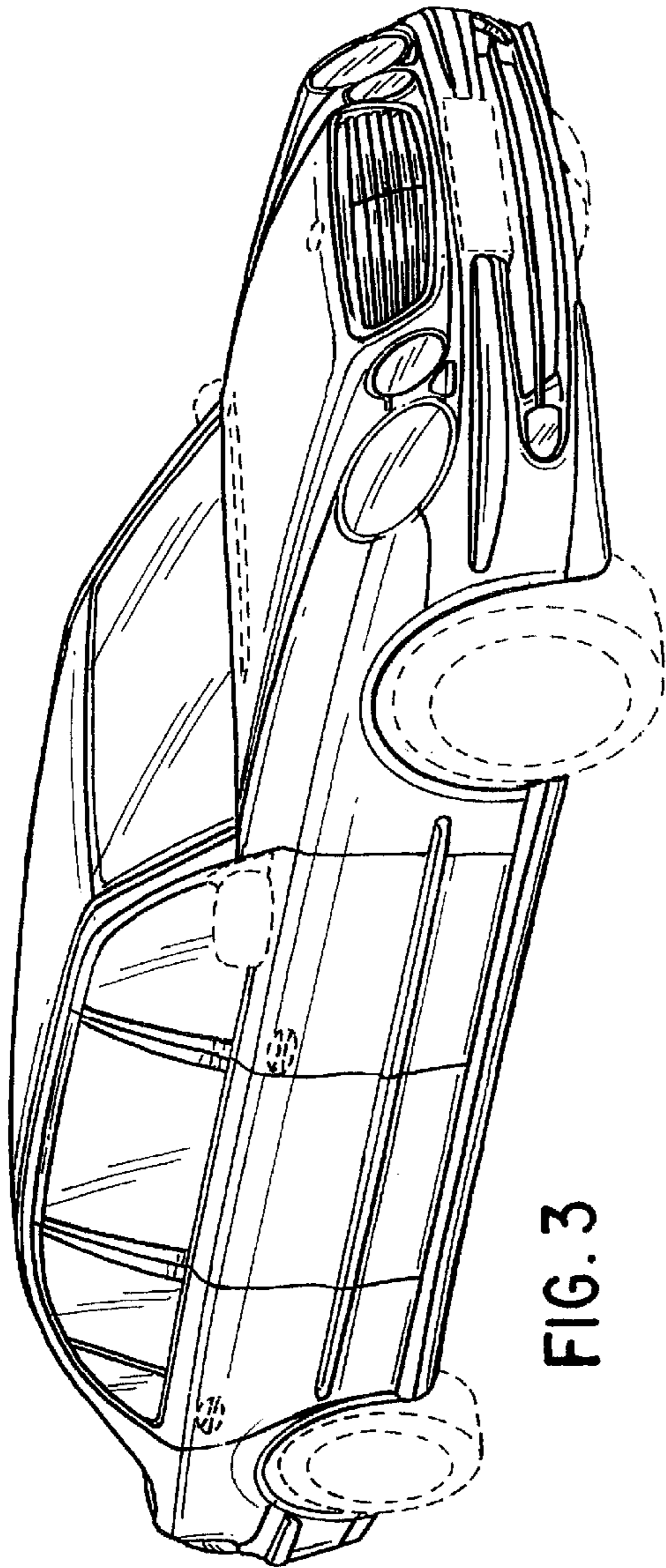


FIG. 3

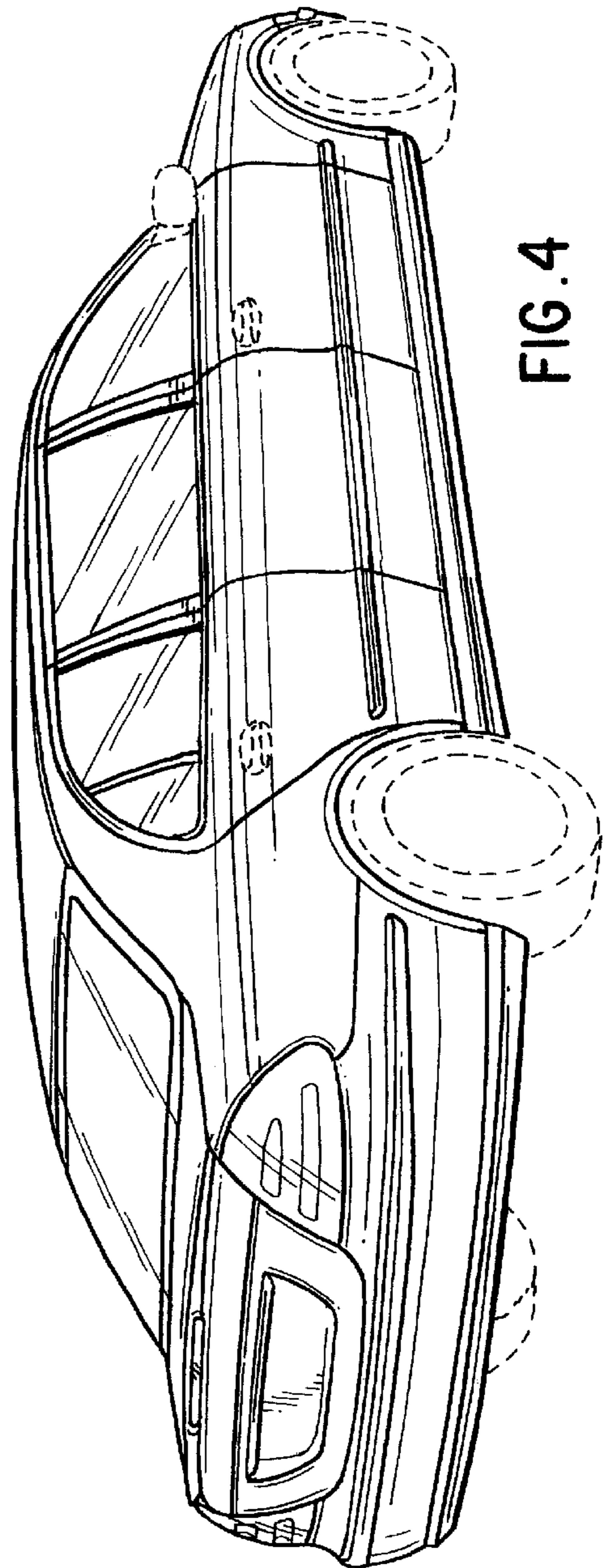


FIG. 4

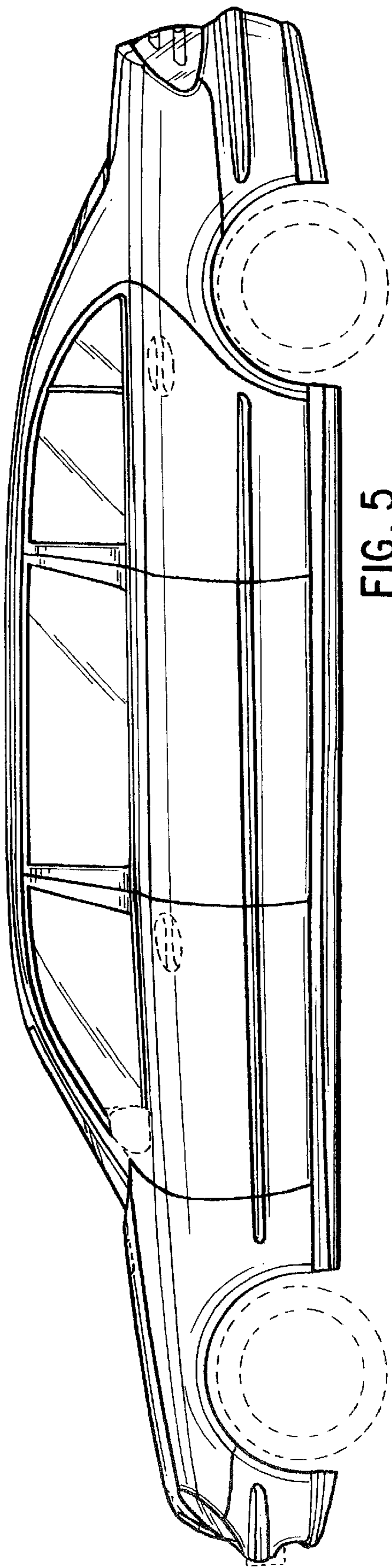


FIG. 5

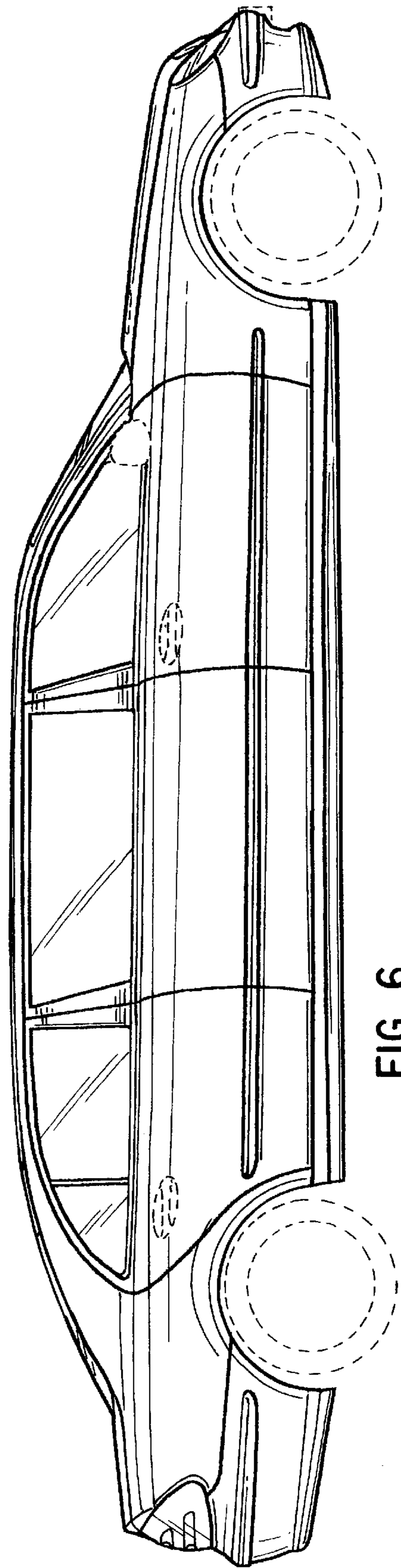


FIG. 6

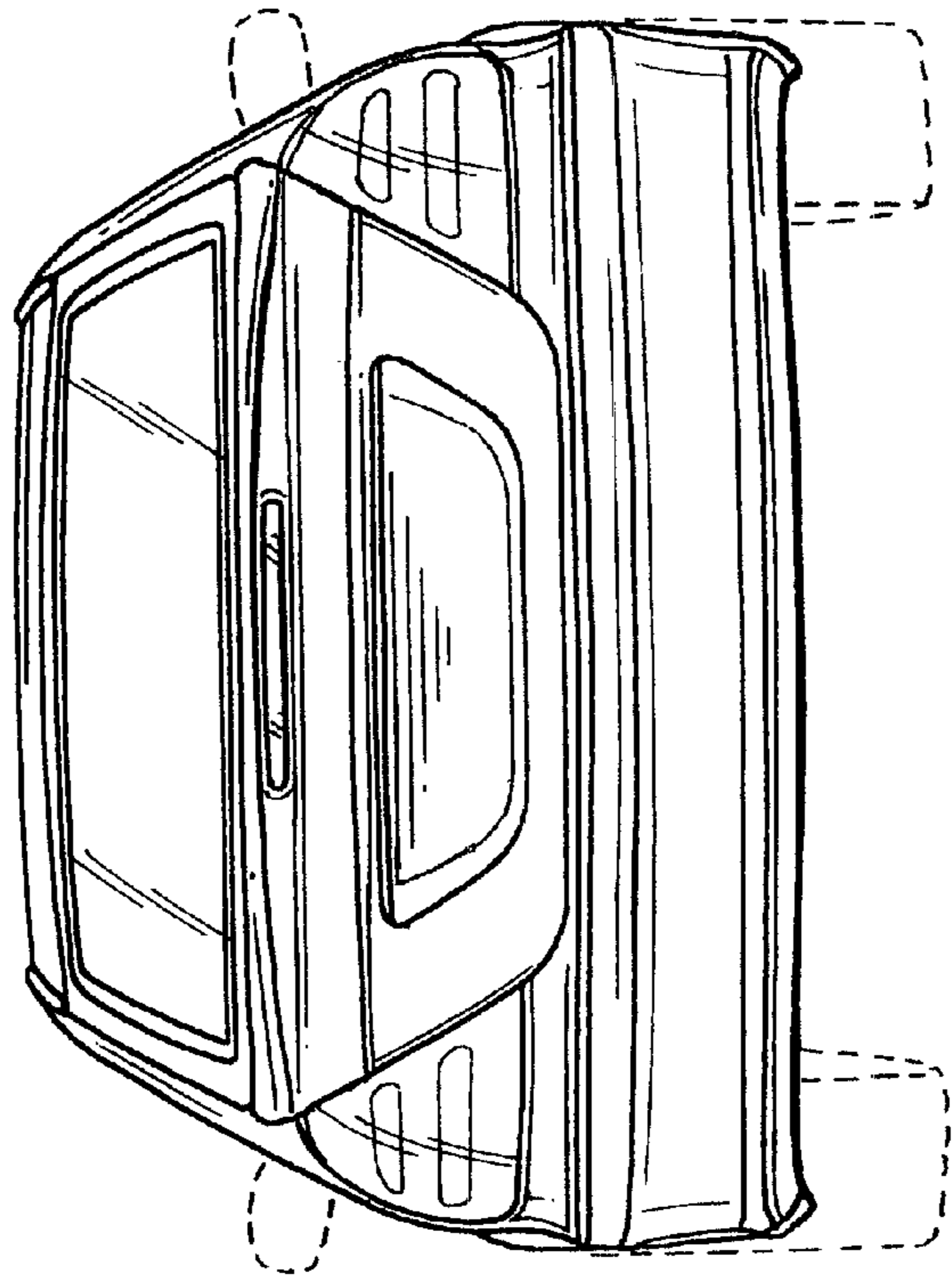


FIG. 7

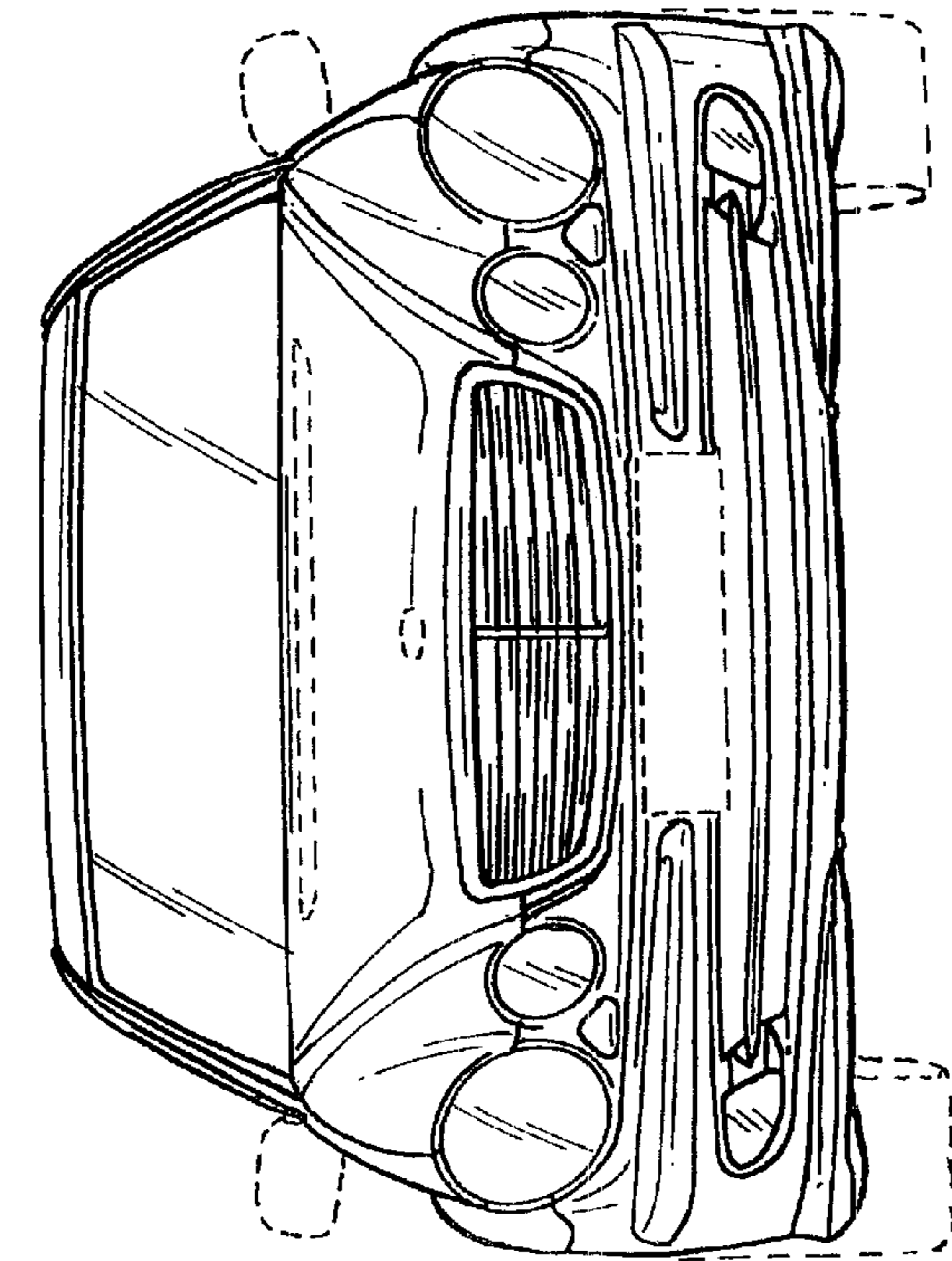


FIG. 8

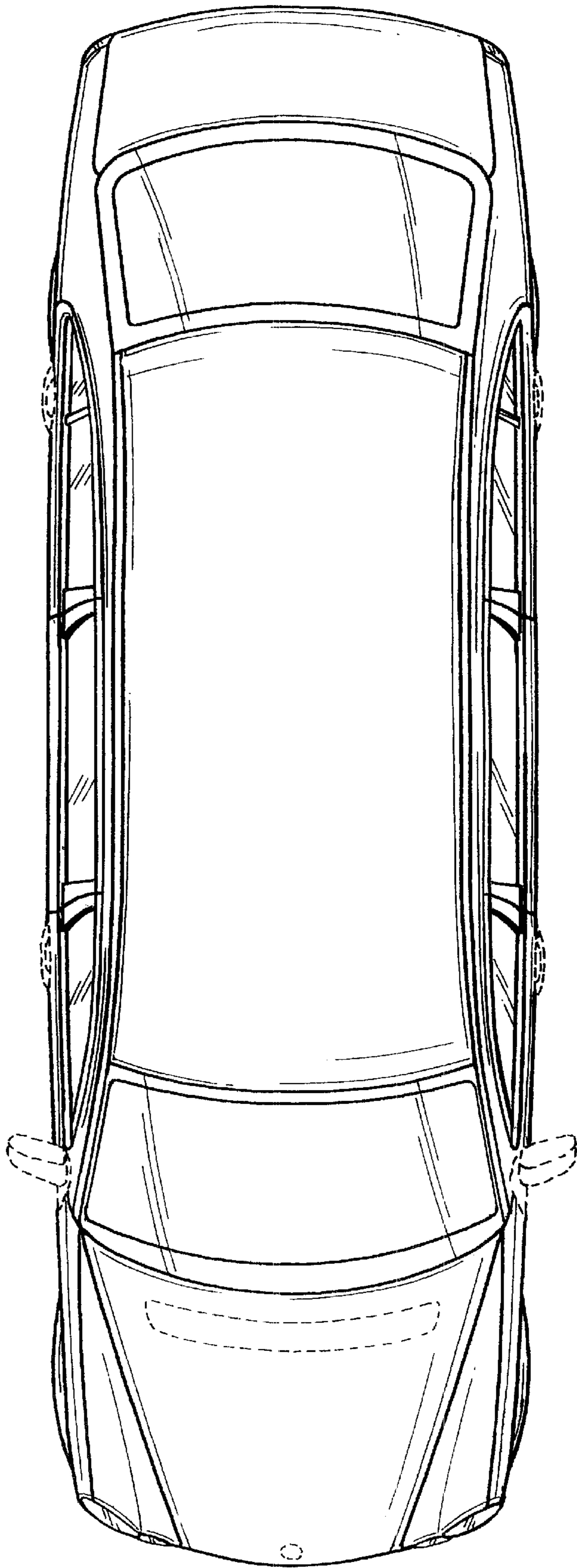


FIG. 9