



US00D466439S

(12) **United States Design Patent**
Wagner et al.

(10) **Patent No.: US D466,439 S**

(45) **Date of Patent: ** Dec. 3, 2002**

(54) **FASTENER**

(75) Inventors: **Wesley J. Wagner**, Columbus, GA (US); **Bruce R. Roberts**, Midland, GA (US); **Kenny Daniel**, Phoenix City, AL (US); **Jennifer Googe**, Columbus, GA (US); **Jeffery Dean Frazer**, Cataula, GA (US); **Easter Lavonne Frazer**, Cataula, GA (US)

(73) Assignee: **W. C. Bradley Company**, Columbus, GA (US)

(**) Term: **14 Years**

(21) Appl. No.: **29/150,500**

(22) Filed: **Nov. 14, 2001**

(51) **LOC (7) Cl. 02-07**

(52) **U.S. Cl. D11/220**

(58) **Field of Search** D11/220, 200-214, D11/231-235; 24/623, 697.2, 689, 688, 690, 662, 381, 385, 713.8; 292/314; 227/51, 52; 2/257, 263-265; D8/383

(56) **References Cited**

U.S. PATENT DOCUMENTS

29,448 A * 7/1860 Pringle D11/220

30,315 A * 10/1860 Richardson D11/220
577,435 A * 2/1897 Latham 24/713.8
1,896,873 A * 2/1933 Upham 24/680
2,042,866 A * 6/1936 Simons 24/689
2,170,216 A * 8/1939 Rau 24/680
2,256,850 A * 9/1941 Purinton 24/689
2,385,774 A * 10/1945 Clarke 24/689
3,613,181 A * 10/1971 Taylor 24/660

* cited by examiner

Primary Examiner—Doris Clark

Assistant Examiner—Barbara Wyatt Crawford

(74) *Attorney, Agent, or Firm*—James W. Kayden; Thomas, Kayden, Horstemeyer & Risley, LLP

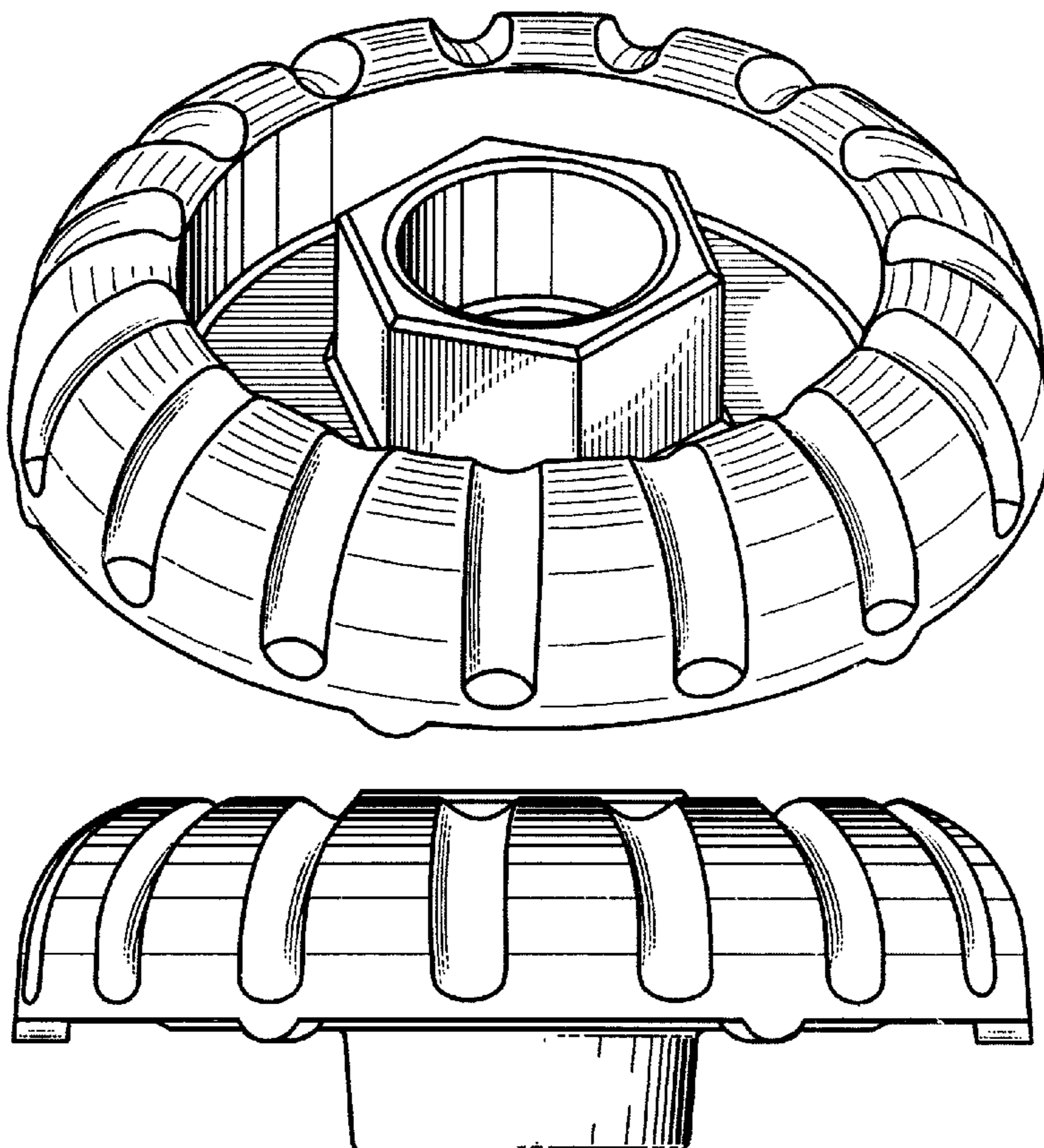
(57) **CLAIM**

The ornamental design of a fastener, as shown and described.

DESCRIPTION

FIG. 1 is a perspective view showing our new fastener; FIG. 2 is a left side elevational view thereof, the right side being a mirror image thereof; FIG. 3 is a front elevational view thereof, the rear elevational view being a mirror image thereof; and, FIG. 4 is a top plan view thereof.

1 Claim, 2 Drawing Sheets



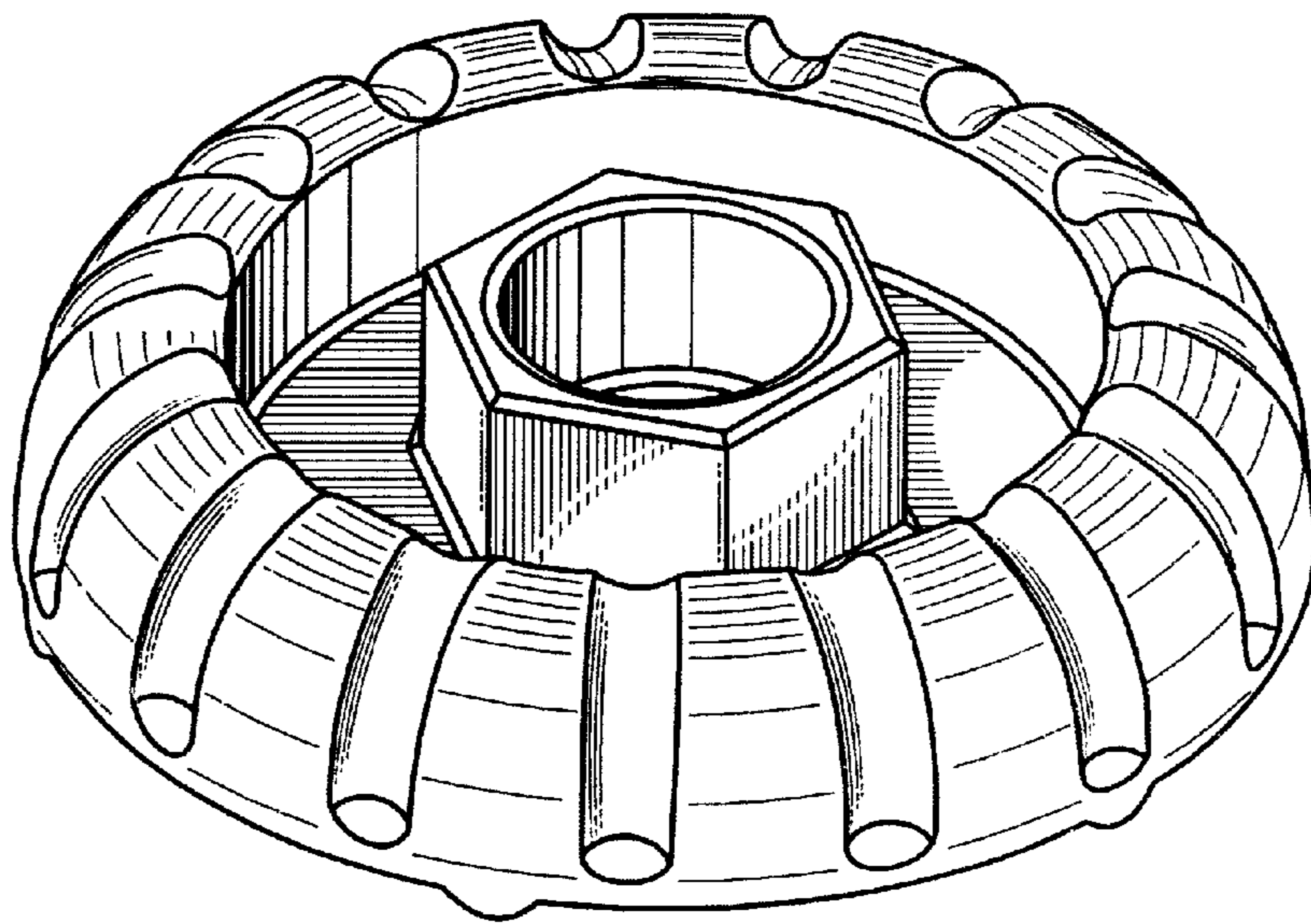


Fig. 1

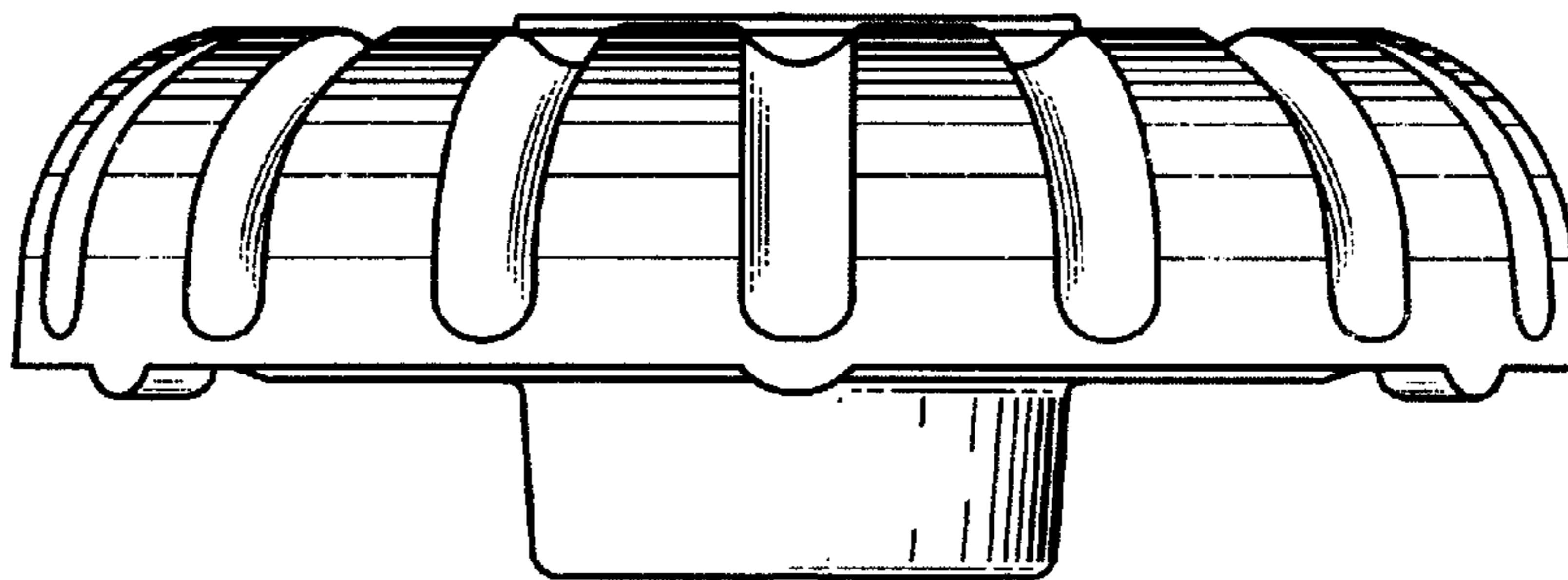


Fig. 2

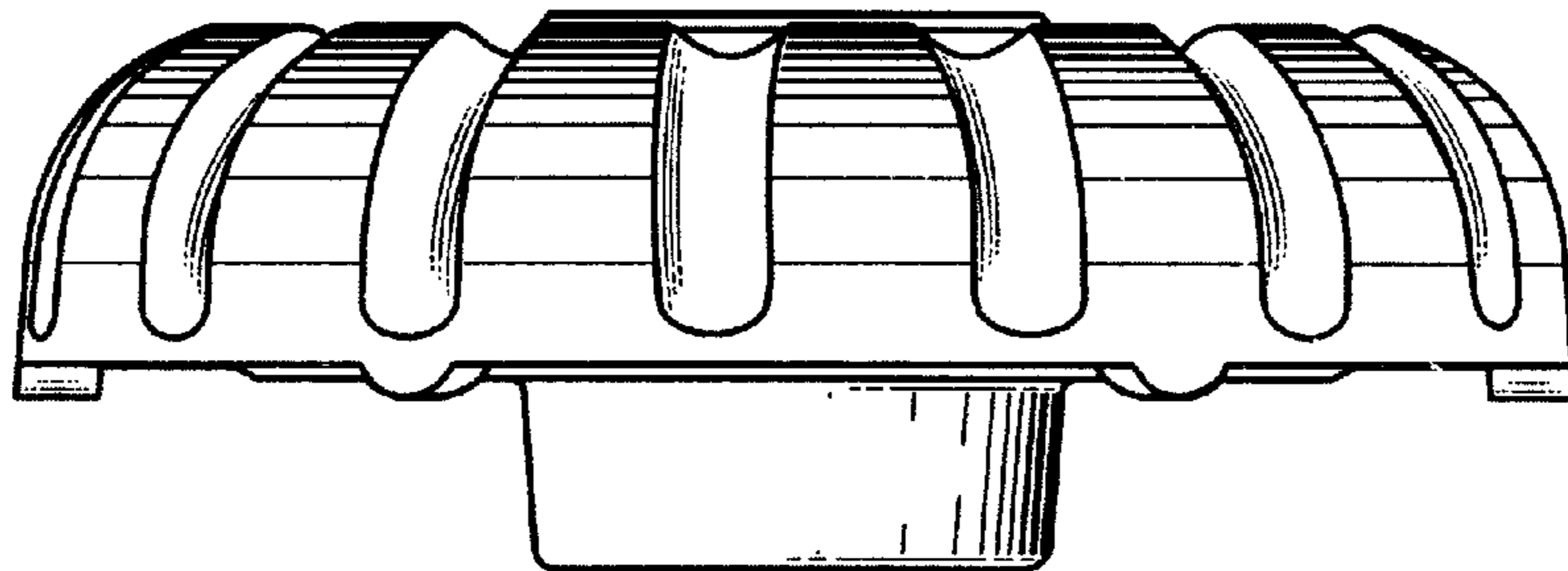


Fig. 3

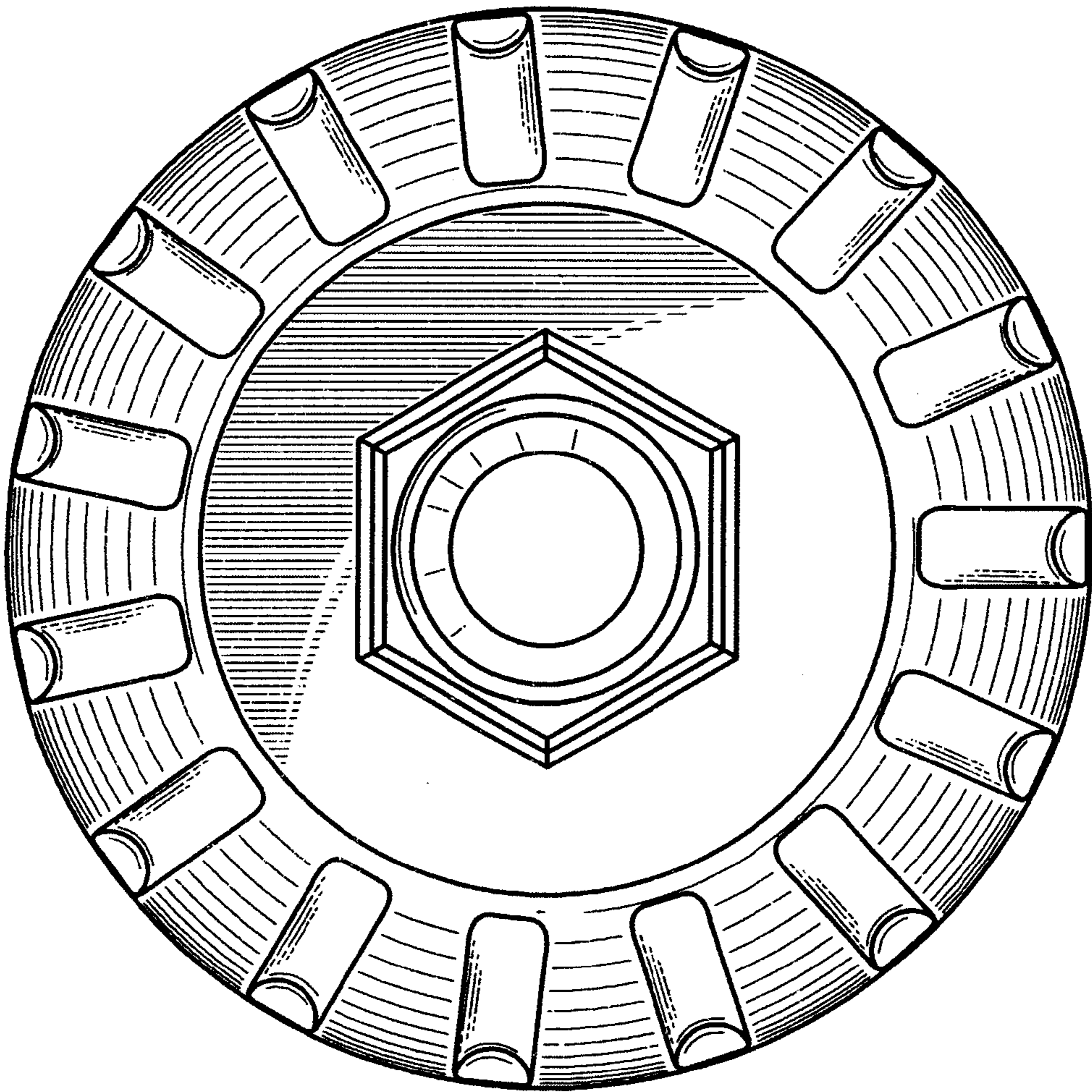


Fig. 4