



US00D466438S

(12) **United States Design Patent**  
**Buettell**

(10) **Patent No.:** **US D466,438 S**

(45) **Date of Patent:** **\*\* Dec. 3, 2002**

(54) **CARD ATTACHMENT**

(75) Inventor: **Bruce J. Buettell**, Fullerton, CA (US)

(73) Assignee: **J.A.M. Plastics, Inc.**, Anaheim, CA (US)

(\*\*) Term: **14 Years**

(21) Appl. No.: **29/152,948**

(22) Filed: **Dec. 21, 2001**

(51) **LOC (7) Cl.** ..... **02-07**

(52) **U.S. Cl.** ..... **D11/200**

(58) **Field of Search** ..... D11/200, 213-223, D11/206, 207, 208, 209, 79; D19/36, 65, 75, 77, 78, 81, 83; D8/394, 395; 24/499, 504, 639, 170; D30/153; 211/69.1

(56) **References Cited**

**U.S. PATENT DOCUMENTS**

1,962,186	A *	6/1934	Finkbeiner	.....	24/504
3,145,442	A *	8/1964	Brown	.....	24/639
4,086,686	A *	5/1978	Takabayashi	.....	24/504
4,141,119	A *	2/1979	Nodo	.....	24/504
5,400,483	A *	3/1995	Noda	.....	24/499
5,842,256	A *	12/1998	Anscher	.....	24/170
5,933,922	A *	8/1999	Ochsman	.....	24/504
6,260,244	B1 *	7/2001	Noda	.....	24/499
6,381,810	B2 *	5/2002	Hsieh	.....	24/170

**OTHER PUBLICATIONS**

J.A.M. Plastics, Inc. Product Catalog "The Badge Holder Specialist", Oct. 1, 2000.

\* cited by examiner

*Primary Examiner*—Doris Clark

*Assistant Examiner*—Barbara Wyatt Crawford

(74) *Attorney, Agent, or Firm*—Knobbe, Martens, Olson & Bear, LLP

(57) **CLAIM**

The ornamental design for a card attachment, as shown and described.

**DESCRIPTION**

FIG. 1 is a perspective view of the card attachment.

FIG. 2 is a right side view of the card attachment, with the left side view being a mirror image there of.

FIG. 3 is a top view of the card attachment.

FIG. 4 is a bottom view of the card attachment.

FIG. 5 is a front view of the card attachment.

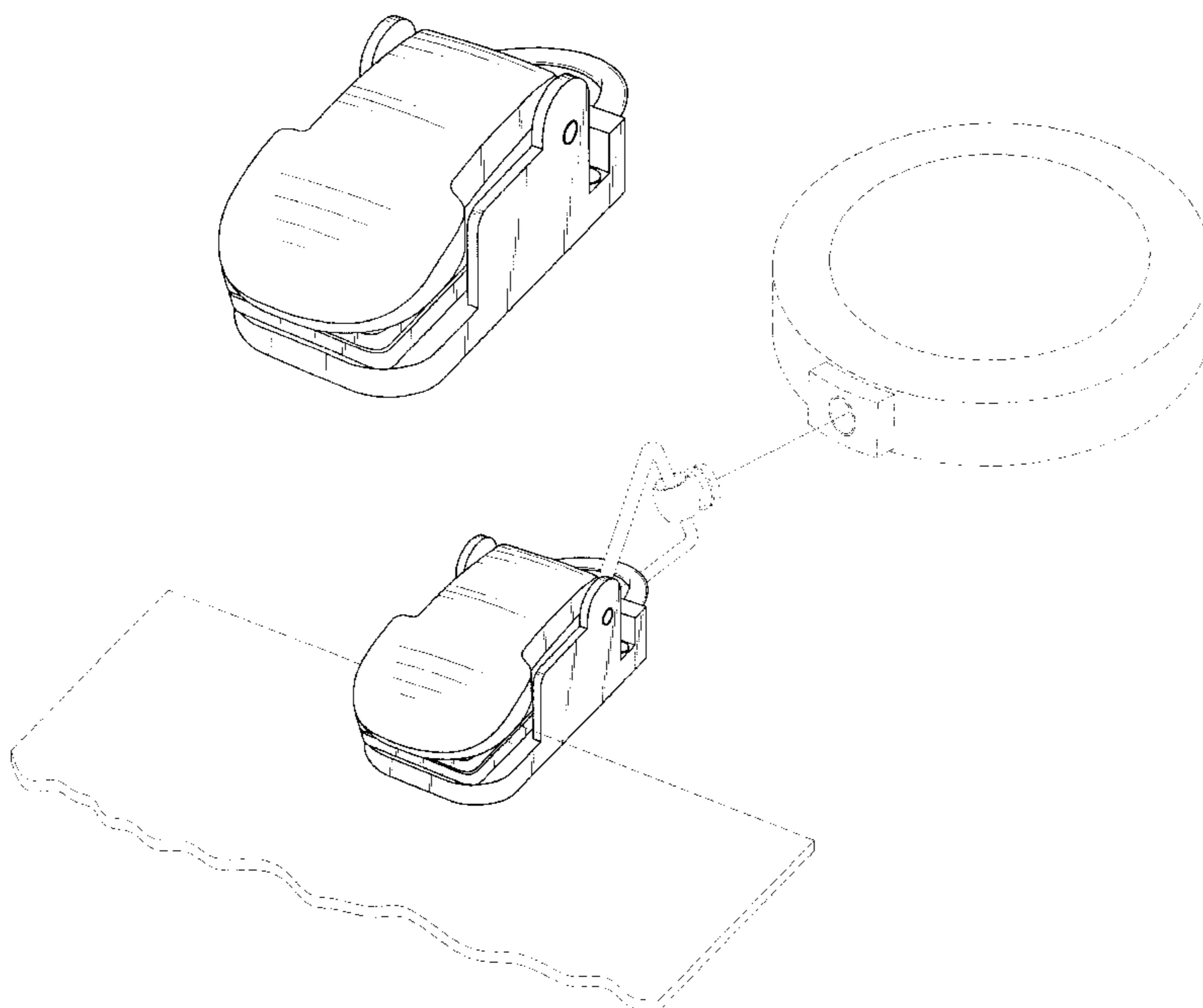
FIG. 6 is a back view of the card attachment.

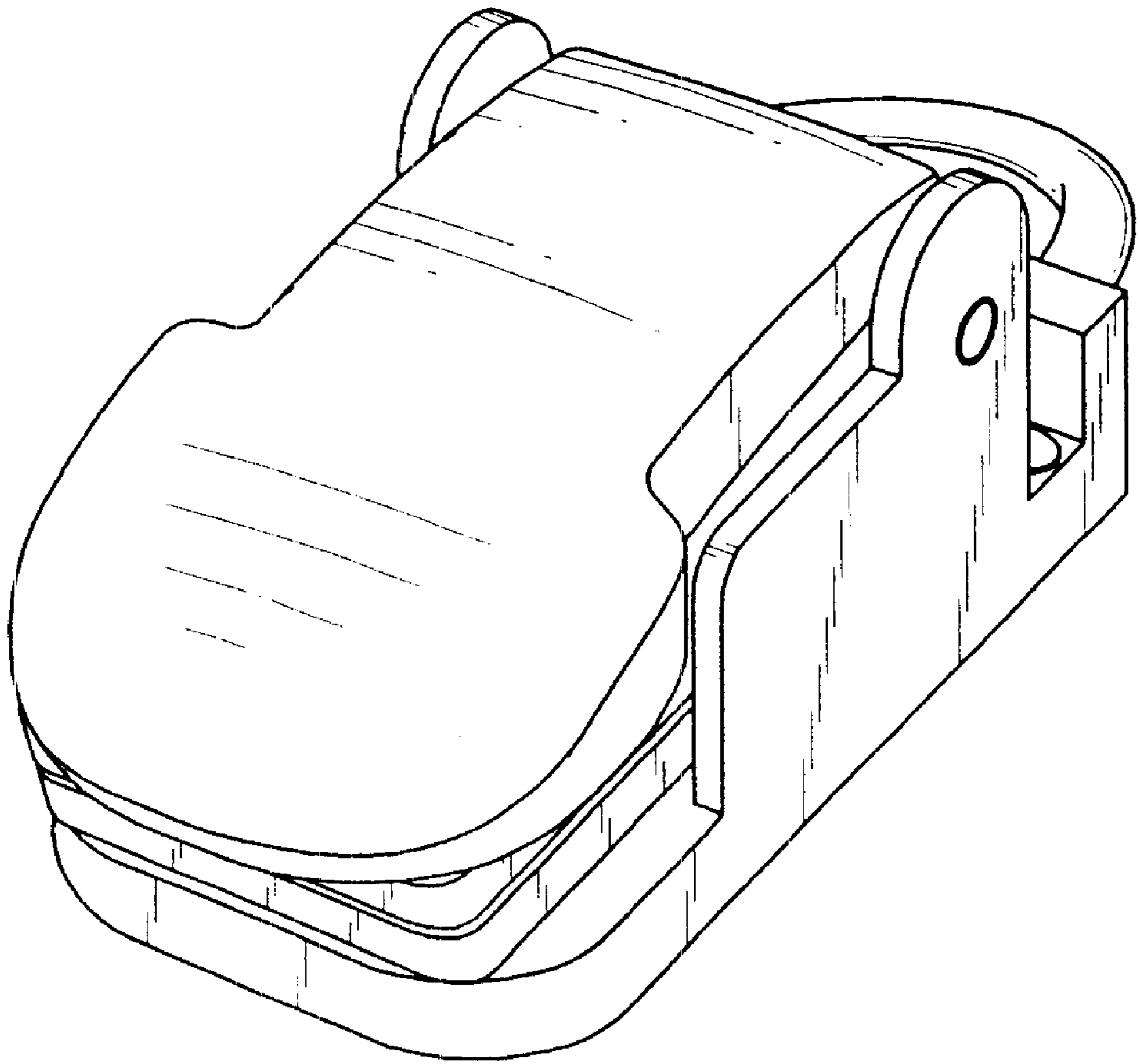
FIG. 7 is a perspective view of the card attachment of FIGS. 1-6 gripping a card with a retractable reel connected to the card attachment; and,

FIG. 8 is a perspective view of the card attachment of FIGS. 1-6 gripping a card with a neck lanyard connected to the card attachment.

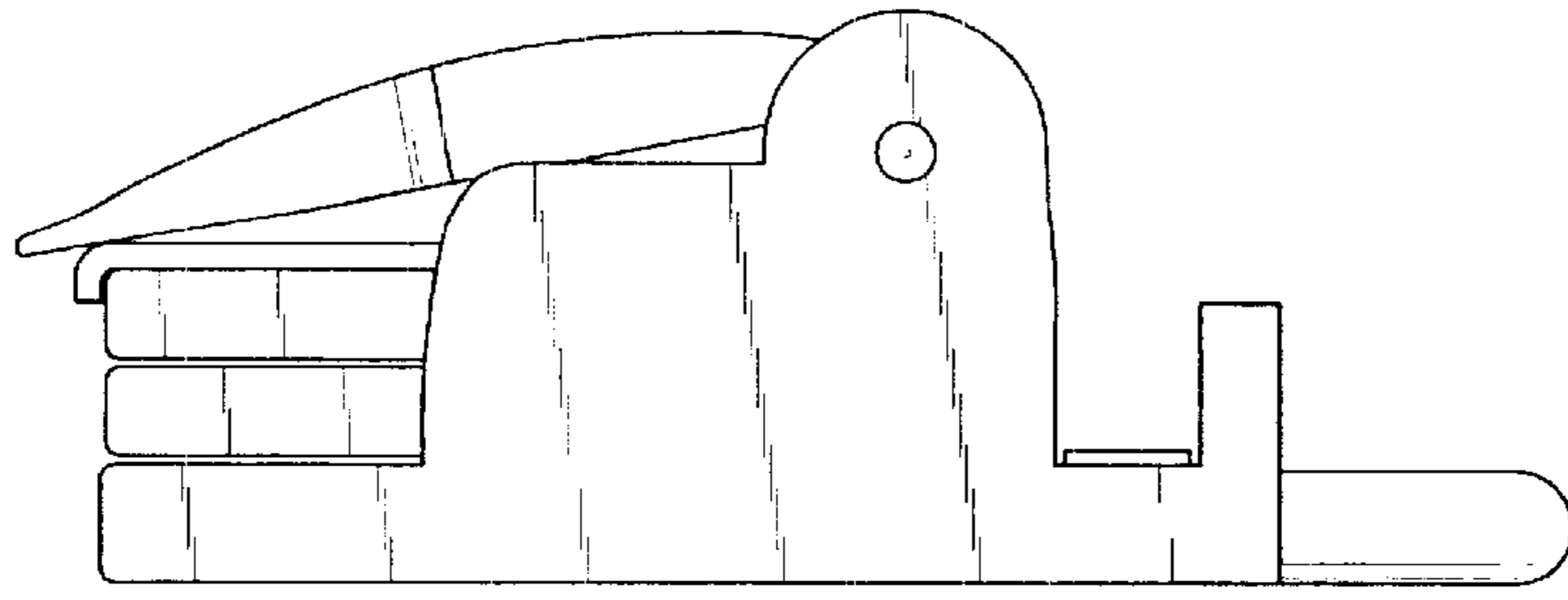
The broken line showing of the clip in a position of use in FIGS. 7 and 8 are for illustrative purposes only and forms no part of the claimed design.

**1 Claim, 5 Drawing Sheets**

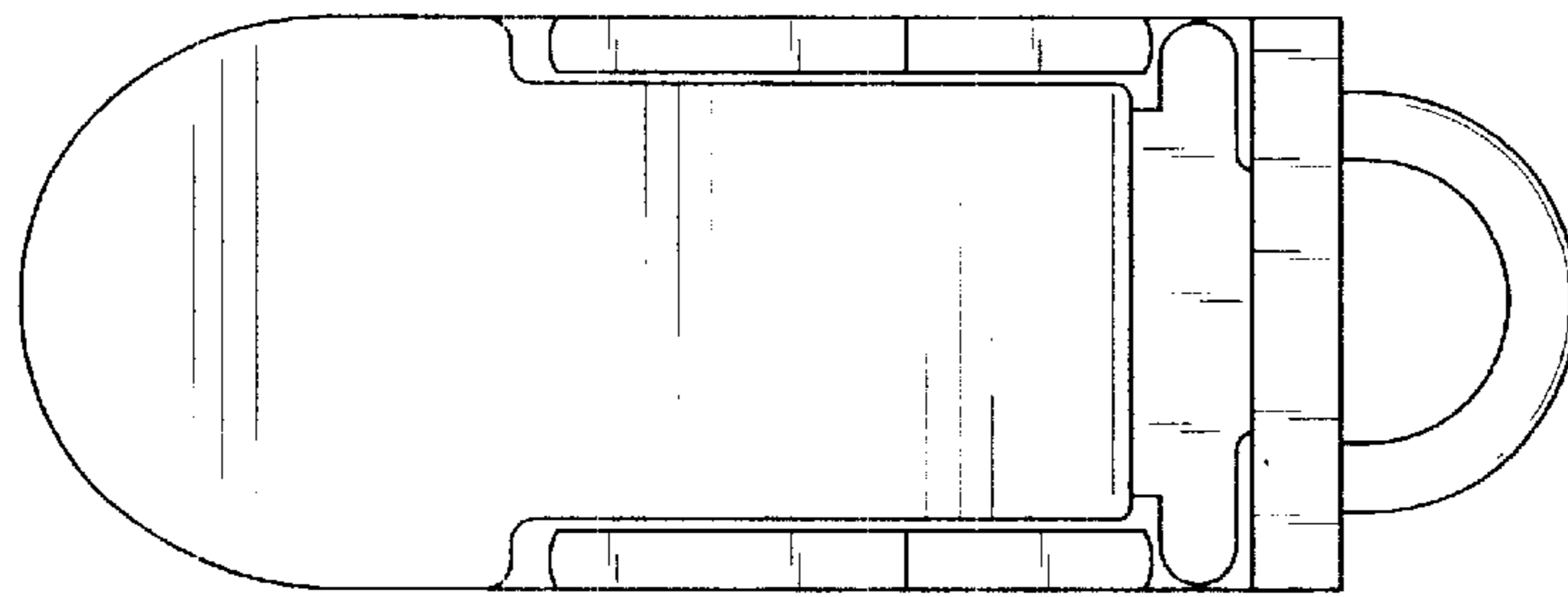




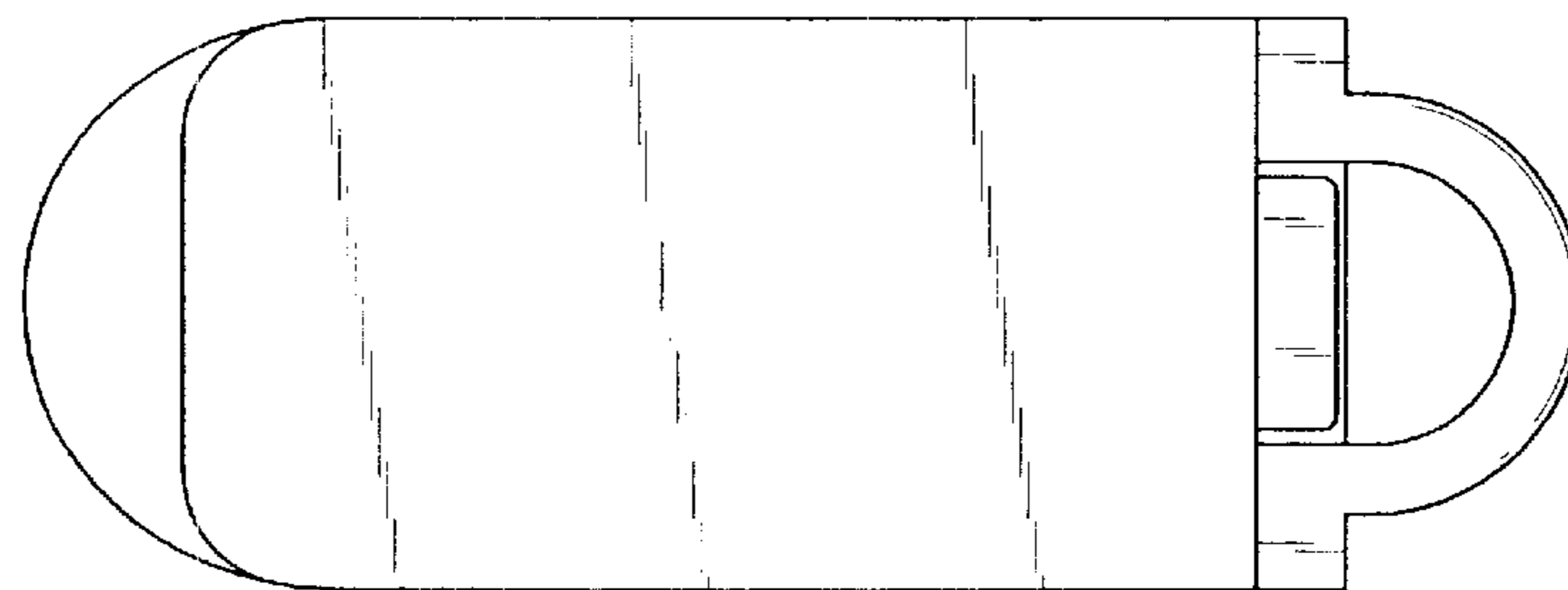
*FIG. 1*



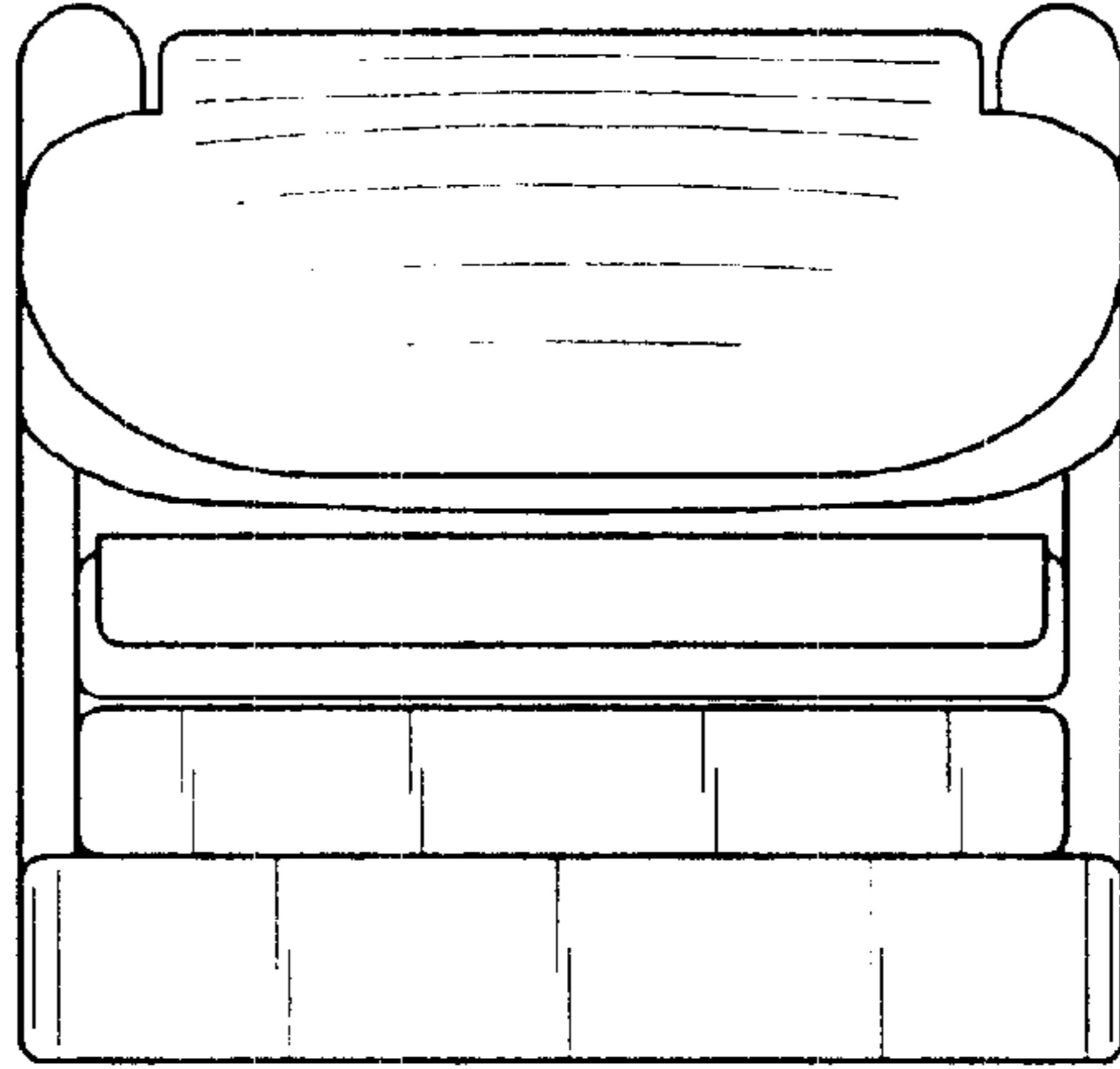
*FIG. 2*



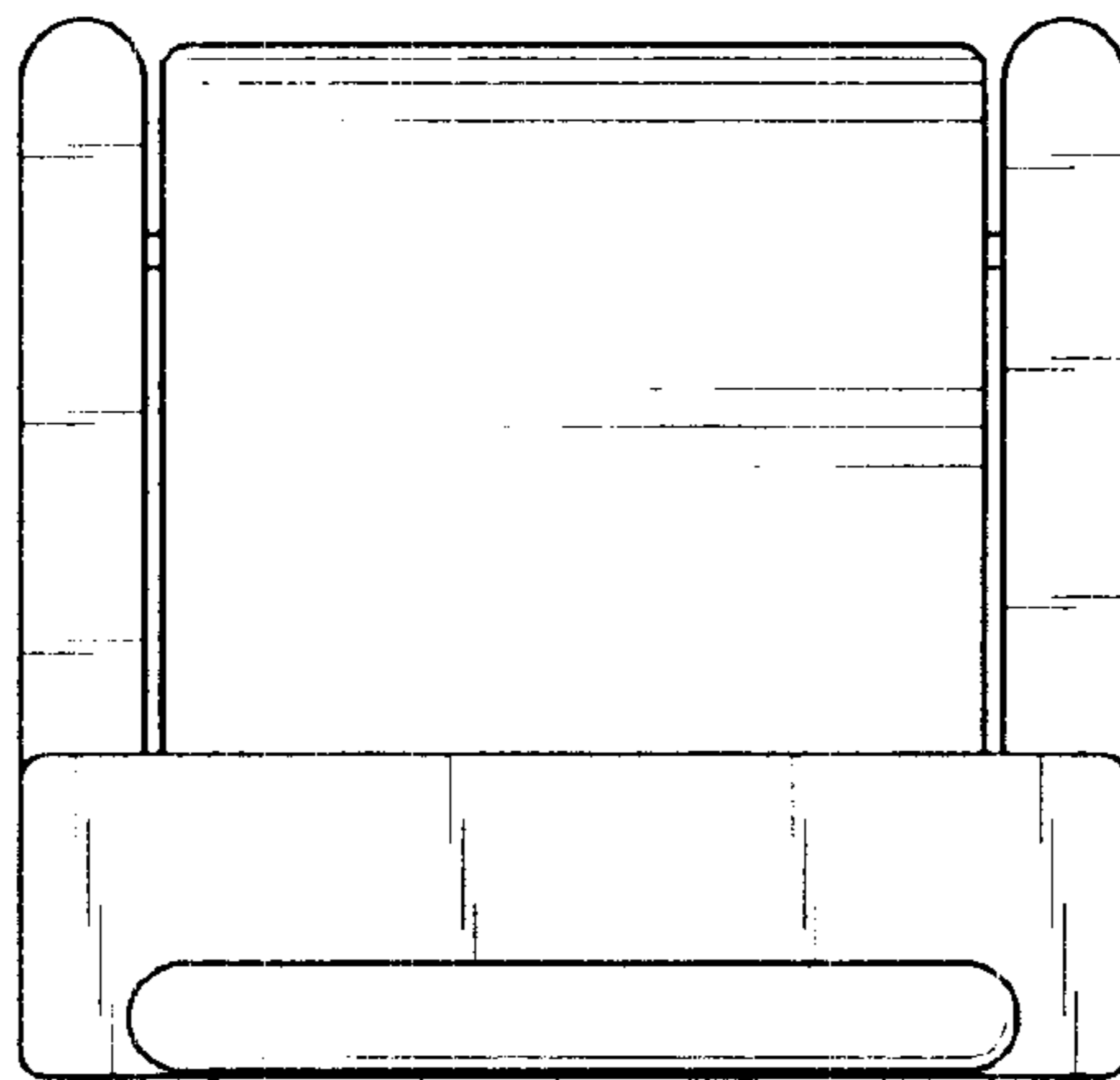
*FIG. 3*



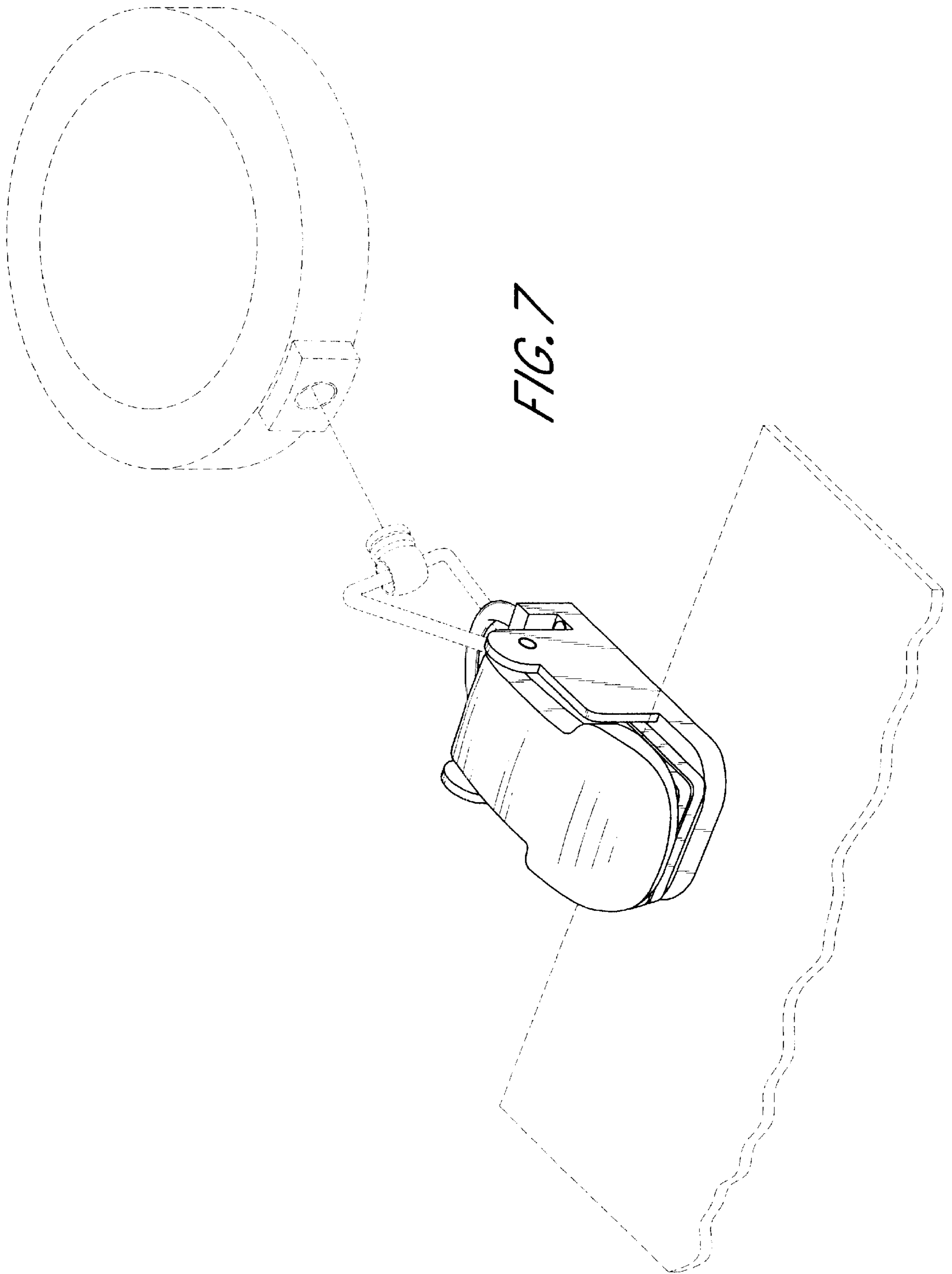
*FIG. 4*



*FIG. 5*



*FIG. 6*



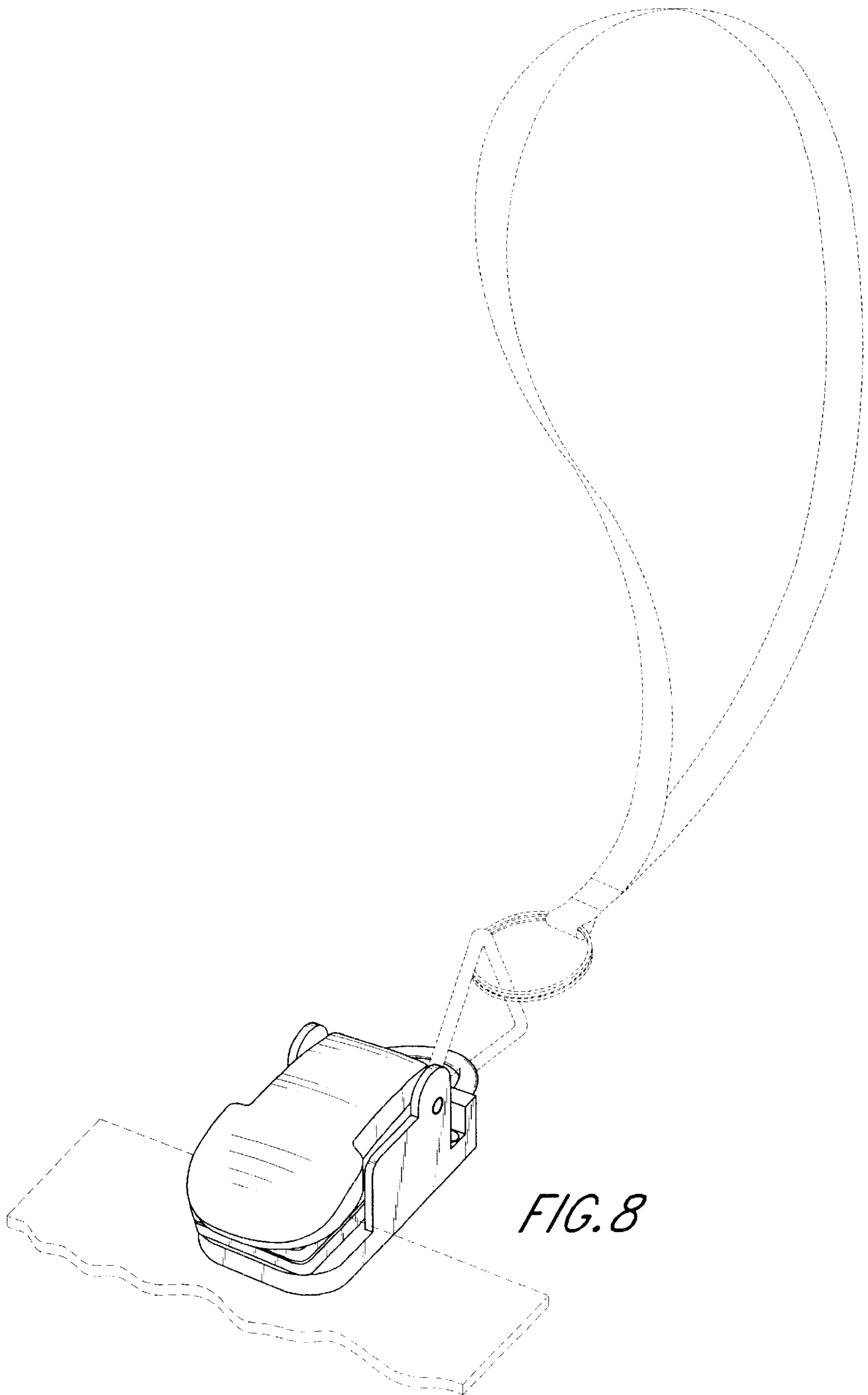


FIG. 8