



US00D466434S

(12) **United States Design Patent**  
**Yacoubian**

(10) **Patent No.:** **US D466,434 S**

(45) **Date of Patent:** **\*\* Dec. 3, 2002**

(54) **CROSS-SHAPED DIAMOND CUT**

(76) Inventor: **Daniel Yacoubian**, 1826 Cordova Rd.,  
Germantown, TN (US) 38138

(\*\*) Term: **14 Years**

(21) Appl. No.: **29/149,403**

(22) Filed: **Oct. 8, 2001**

(51) **LOC (7) Cl.** ..... **11-01**

(52) **U.S. Cl.** ..... **D11/90**

(58) **Field of Search** ..... D11/1, 2, 26-29,  
D11/35, 36, 40-43, 79, 89-92; 63/1.11,  
15, 15.1, 26-28, 32

(56) **References Cited**

**U.S. PATENT DOCUMENTS**

D47,014 S \* 2/1915 Schenck ..... D11/90

D259,477 S \* 6/1981 Najjar ..... D11/90

D259,548 S \* 6/1981 Najjar ..... D11/90

D275,742 S \* 10/1984 Williams ..... D11/121

D368,869 S \* 4/1996 Pinchasov et al. .... D11/90

\* cited by examiner

*Primary Examiner*—Ralf Seifert

(74) *Attorney, Agent, or Firm*—Steven Horowitz

(57) **CLAIM**

The ornamental design for a cross-shaped diamond cut, as shown and described.

**DESCRIPTION**

FIG. 1 is a top view of a cross-shaped diamond cut showing my new design;

FIG. 2 is a bottom view thereof; and,

FIG. 3 is a side view thereof.

**1 Claim, 1 Drawing Sheet**

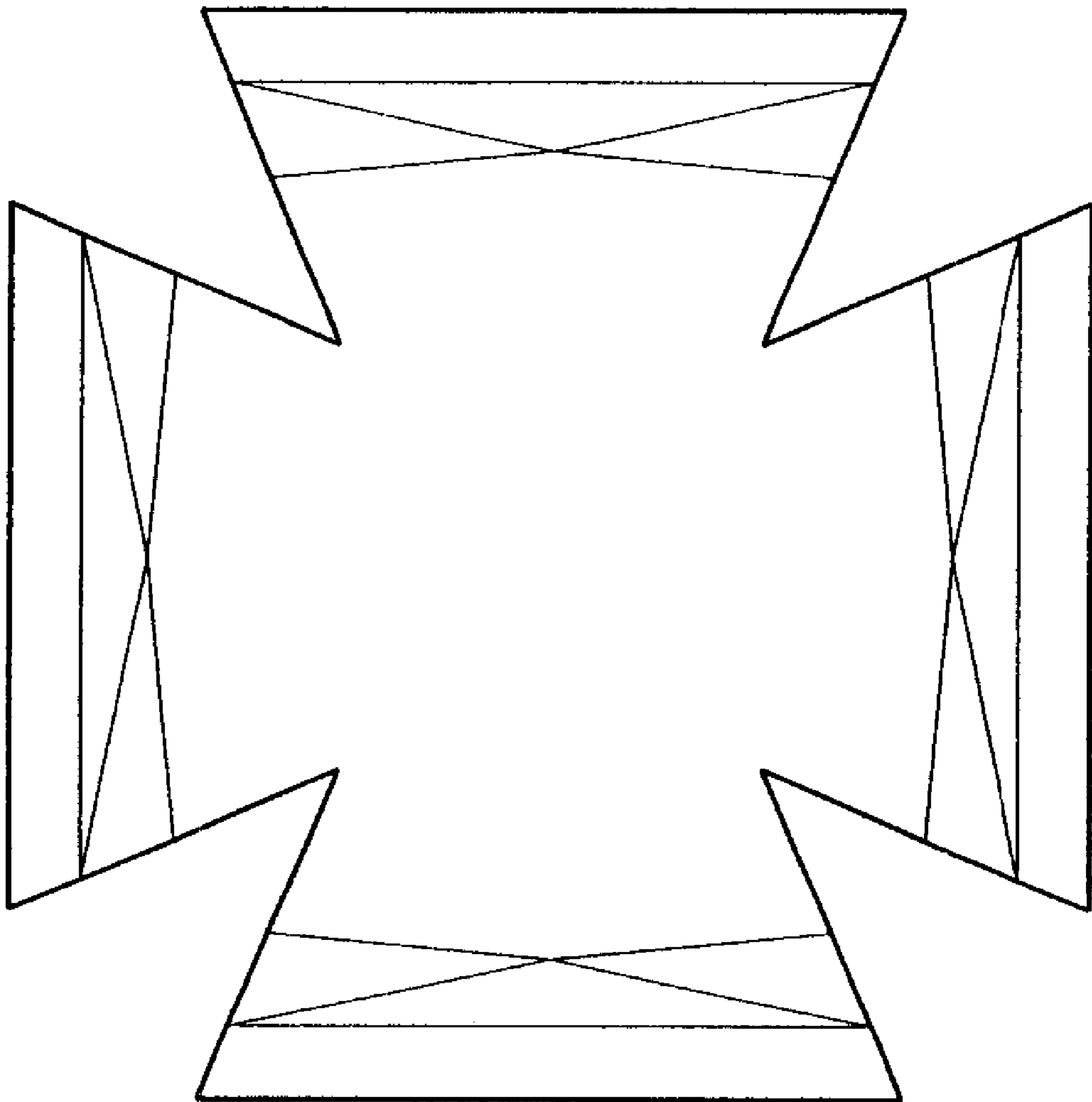


FIG. 1

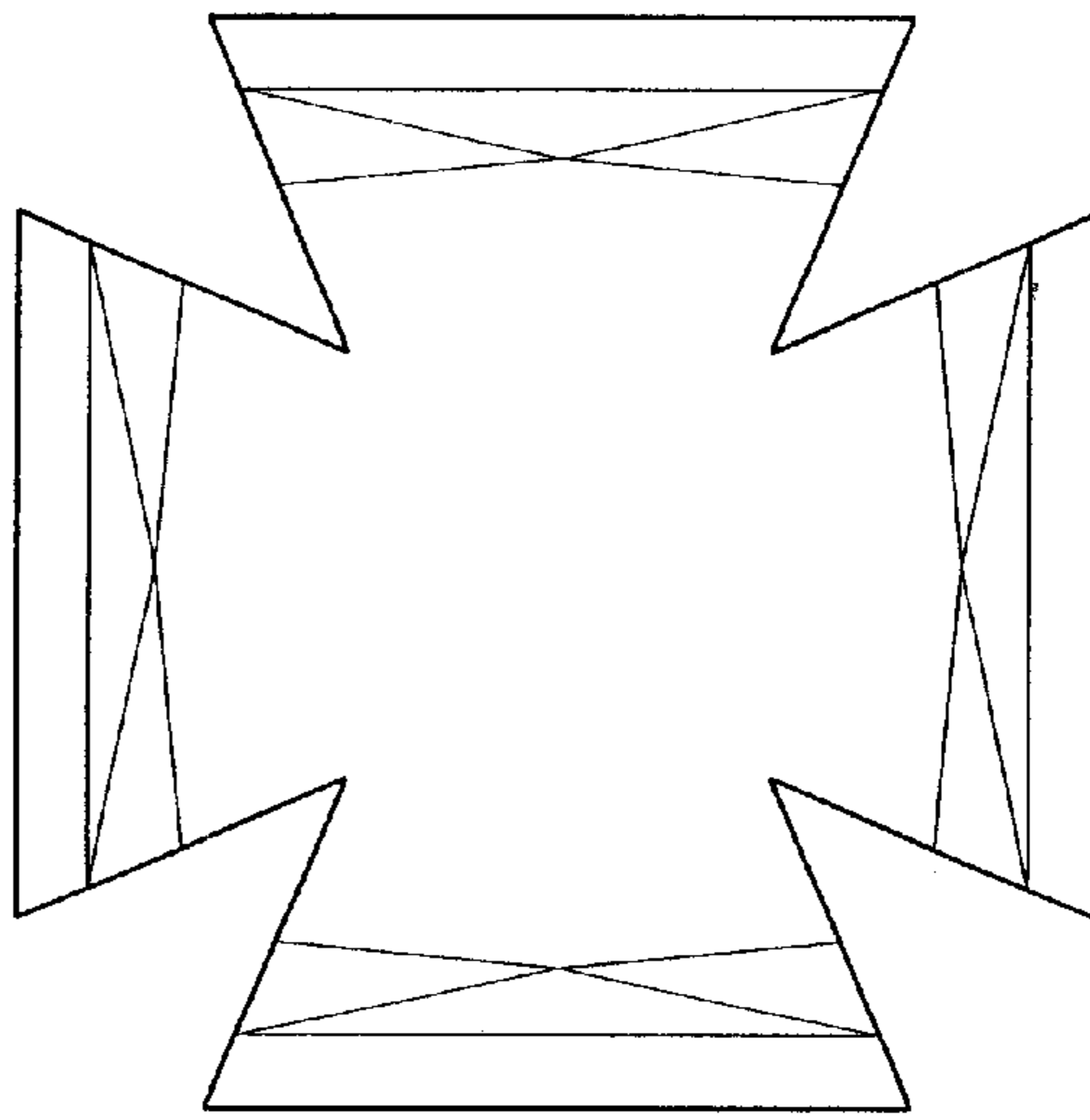


FIG. 2

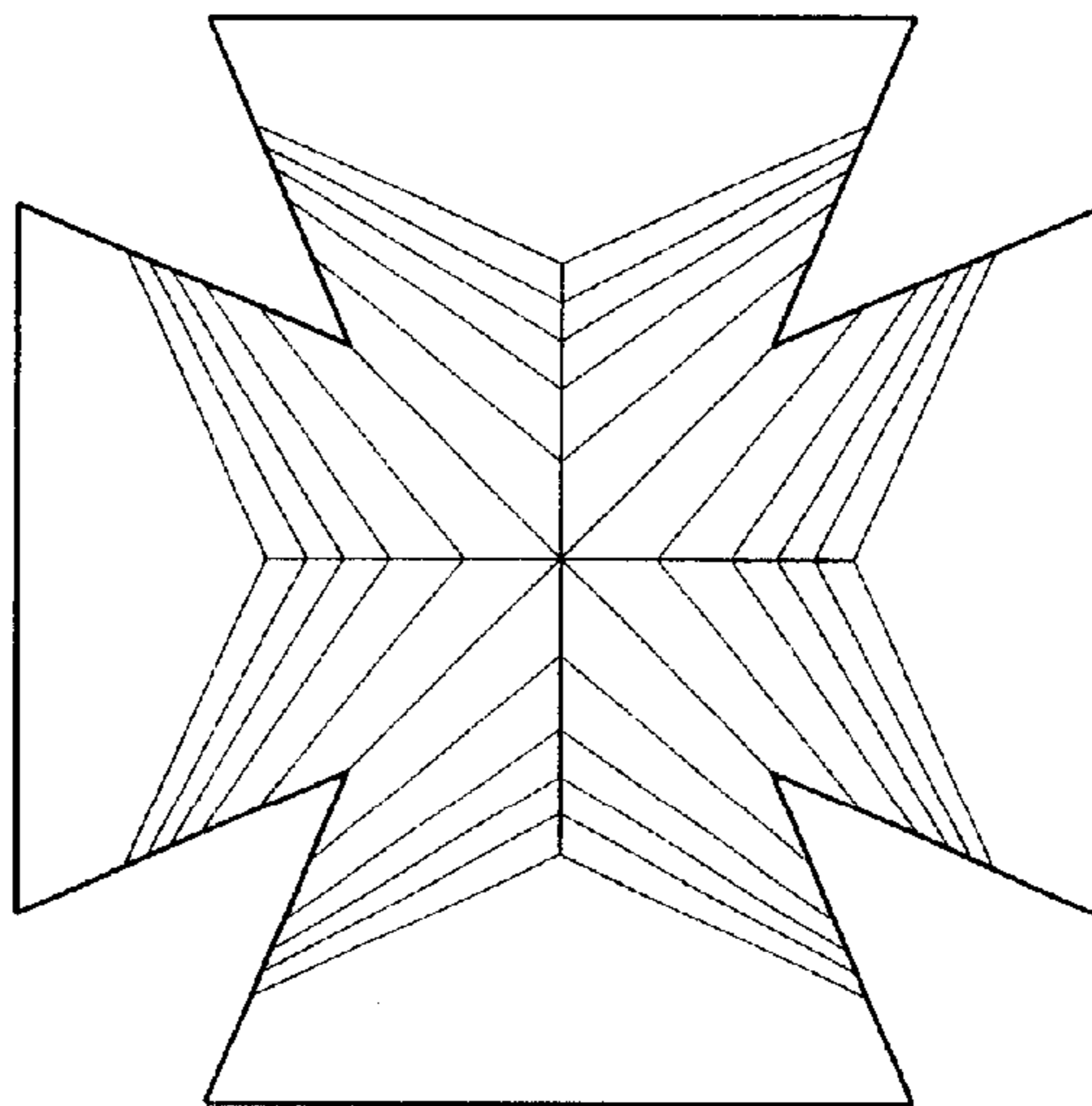


FIG. 3

