



US00D466433S

(12) **United States Design Patent**
Goto

(10) **Patent No.:** **US D466,433 S**

(45) **Date of Patent:** **** Dec. 3, 2002**

(54) **CLASP OF A STRAP**

D382,514 S * 8/1997 Hysek D11/218

* cited by examiner

(75) Inventor: **Teiyu Goto**, Tokyo (JP)

Primary Examiner—Louis S. Zarfaz

(73) Assignee: **Sony Computer Entertainment Inc.**,
Tokyo (JP)

Assistant Examiner—Catherine R. Oliver

(**) Term: **14 Years**

(74) *Attorney, Agent, or Firm*—Rader, Fishman & Grauer

(21) Appl. No.: **29/102,998**

(57) **CLAIM**

(22) Filed: **Apr. 6, 1999**

The ornamental design for a clasp of a strap, as shown and described.

(30) **Foreign Application Priority Data**

DESCRIPTION

Oct. 6, 1998 (JP) 10-28654

FIG. 1 is a perspective view of a first embodiment of a clasp of a strap including my new design;

(51) **LOC (7) Cl.** **11-01**

FIG. 2 is a top plan view thereof;

(52) **U.S. Cl.** **D11/87**

FIG. 3 is a left side elevational view thereof;

(58) **Field of Search** D11/200-220,
D11/231; 24/350, 265 R; D3/10-14; D8/383,
356, 396, 395

FIG. 4 is a front elevational view thereof;

FIG. 5 is a bottom plan view thereof;

FIG. 6 is a right side elevational view thereof; and

FIG. 7 is a rear elevational view thereof.

(56) **References Cited**

FIG. 8 is a perspective view of a second embodiment of a clasp of a strap including my new design;

U.S. PATENT DOCUMENTS

FIG. 9 is a top plan view thereof;

2,131,454 A * 9/1938 Prestinari 24/265 R

FIG. 10 is a left side elevational view thereof;

3,995,872 A * 12/1976 Joseph 24/265 R

FIG. 11 is a front elevational view thereof;

D247,345 S * 2/1978 Mullholland D8/383

FIG. 12 is a bottom plan view thereof;

D297,304 S * 8/1988 Ito et al. D8/383

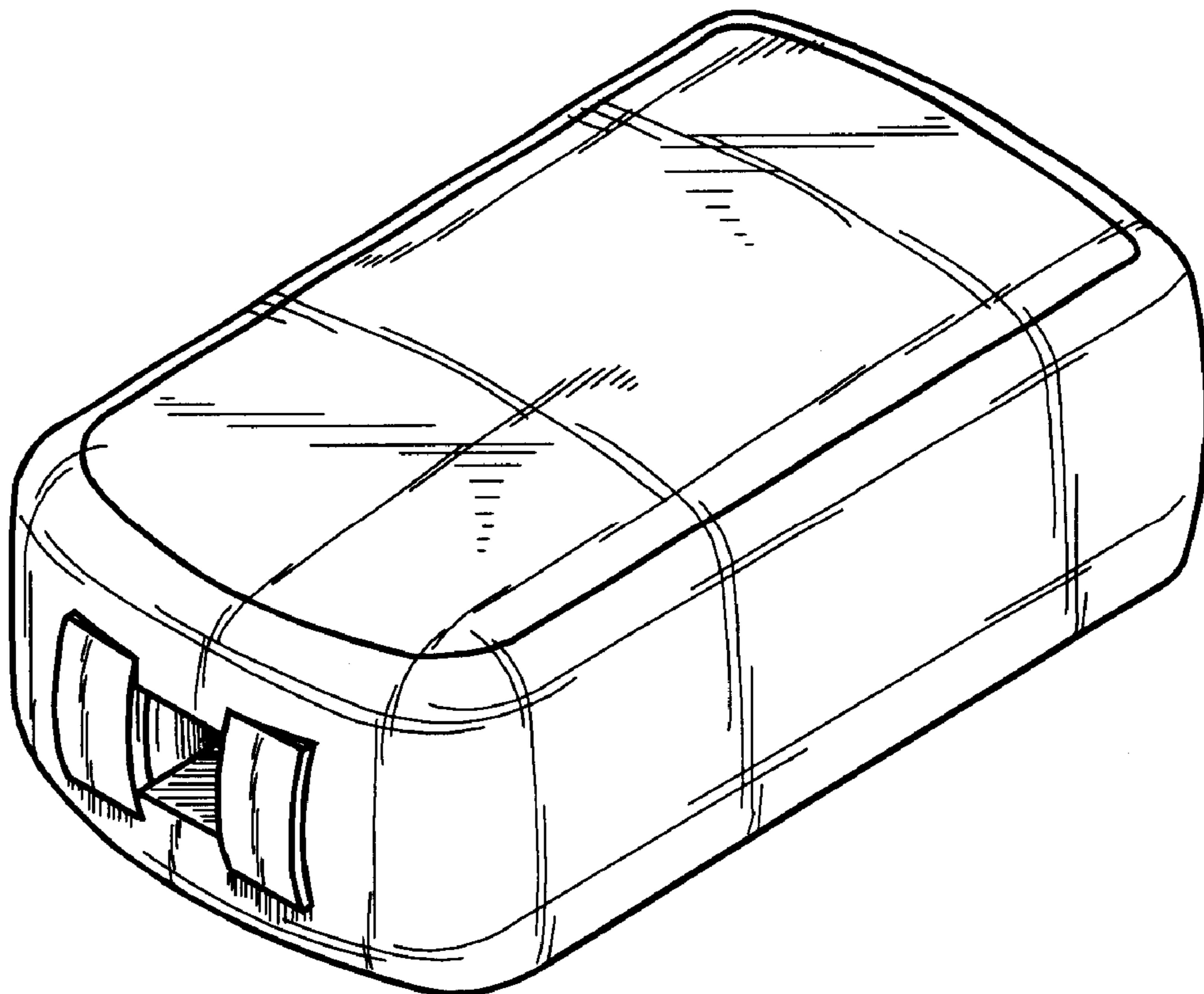
FIG. 13 is a right side elevational view thereof; and,

D372,420 S * 8/1996 Mendez D8/383

FIG. 14 is a rear elevational view thereof.

D381,891 S * 8/1997 Anscher D8/383

1 Claim, 8 Drawing Sheets



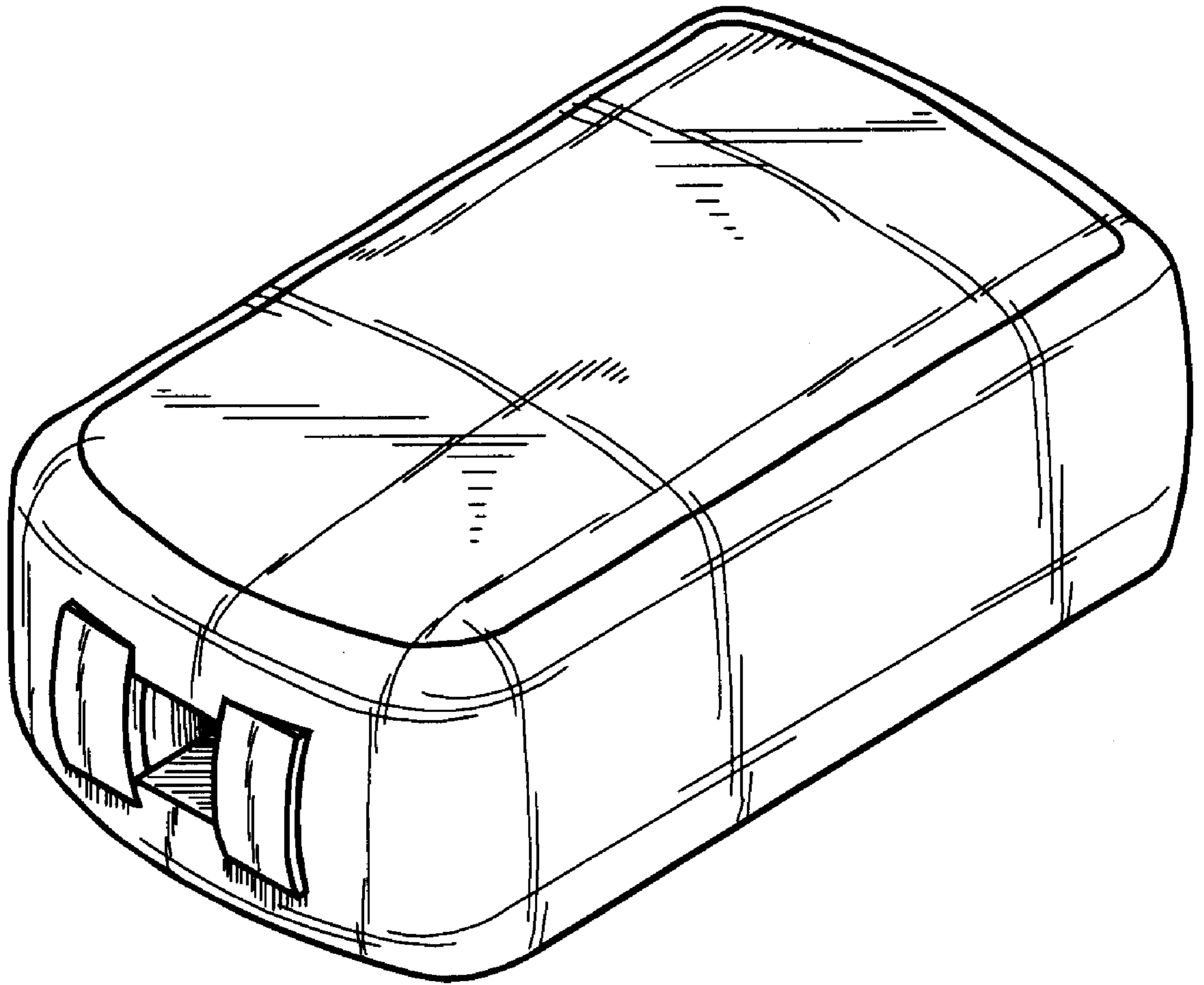


Fig. 1

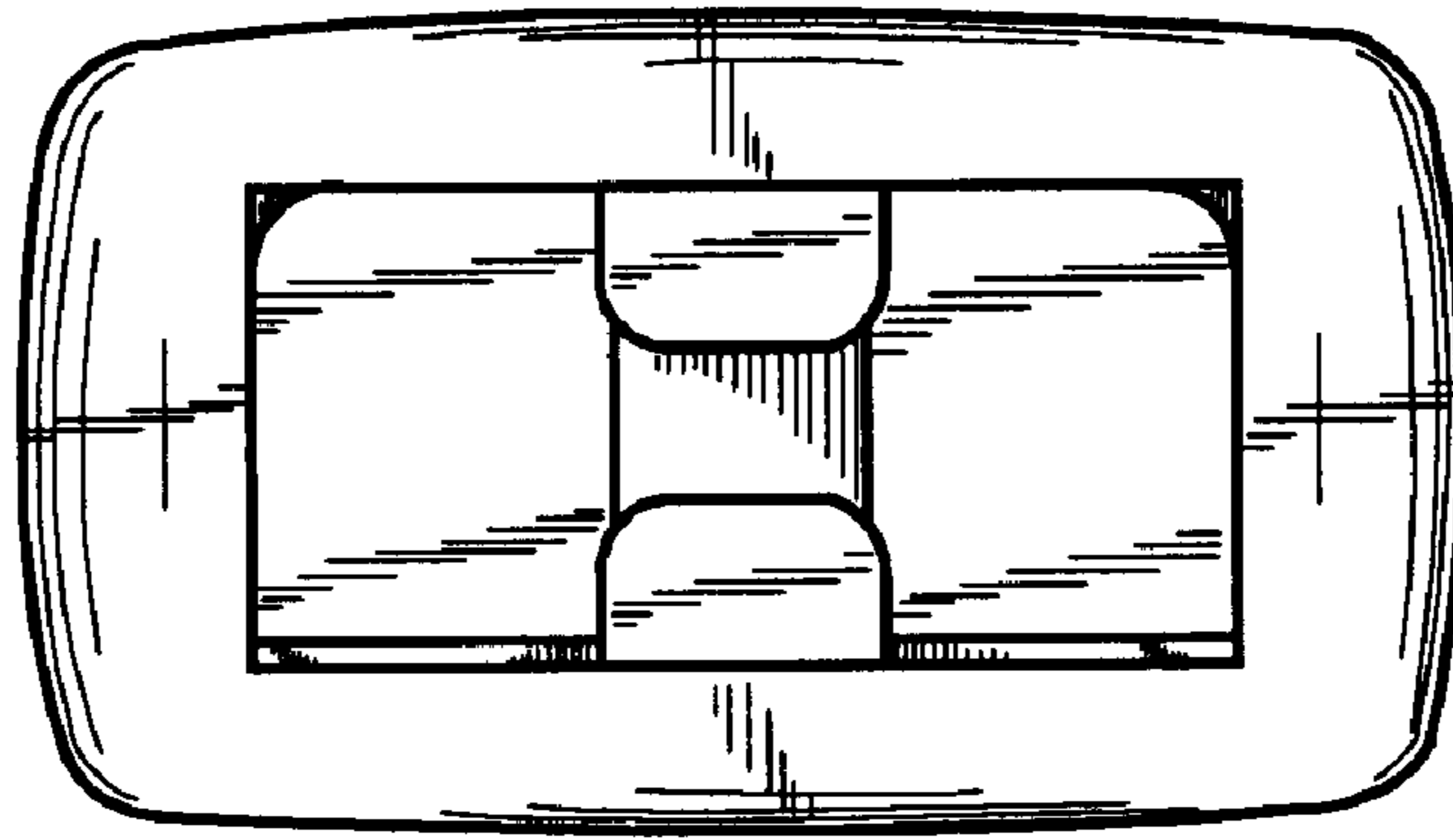


Fig. 2

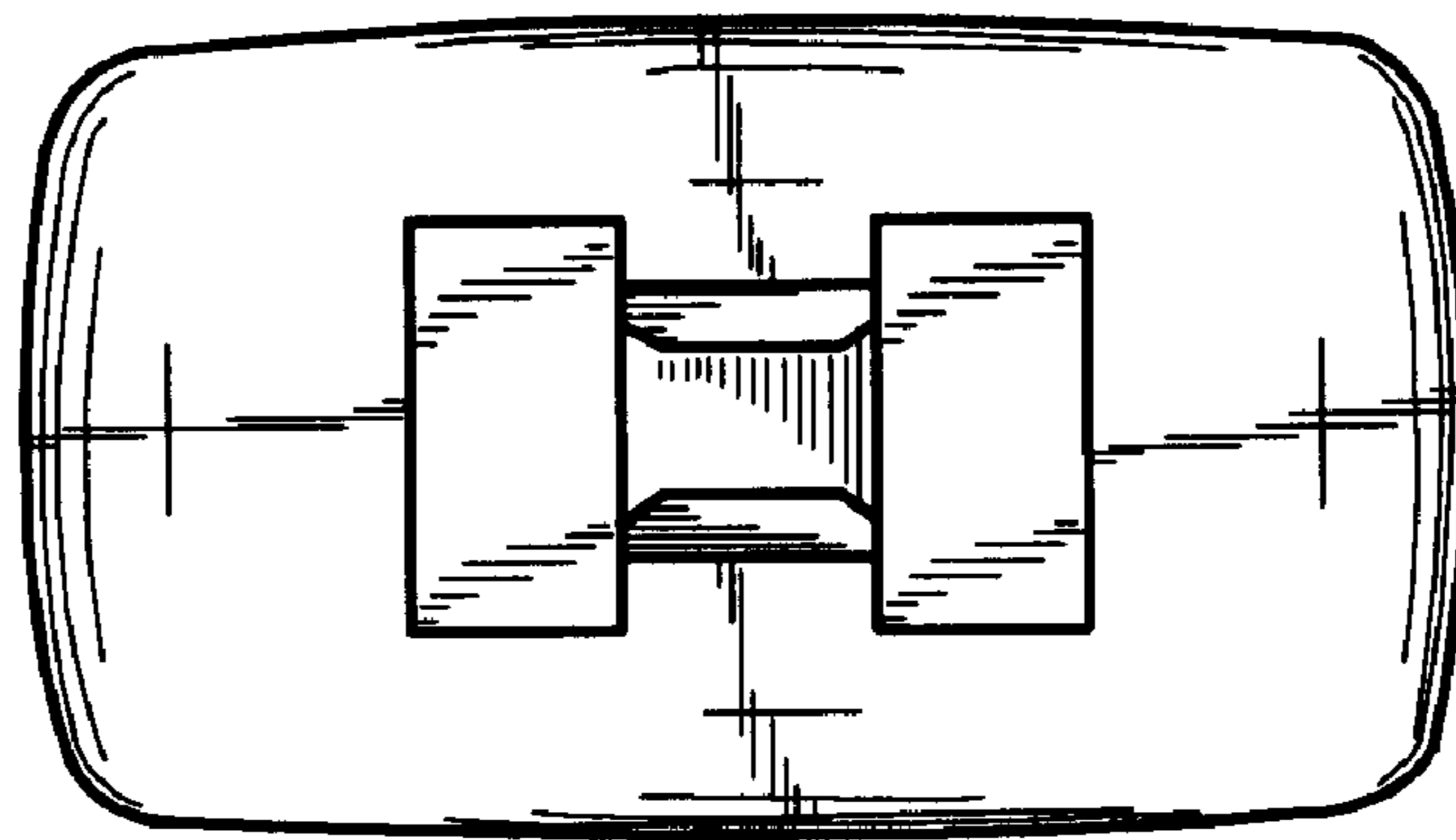


Fig. 5

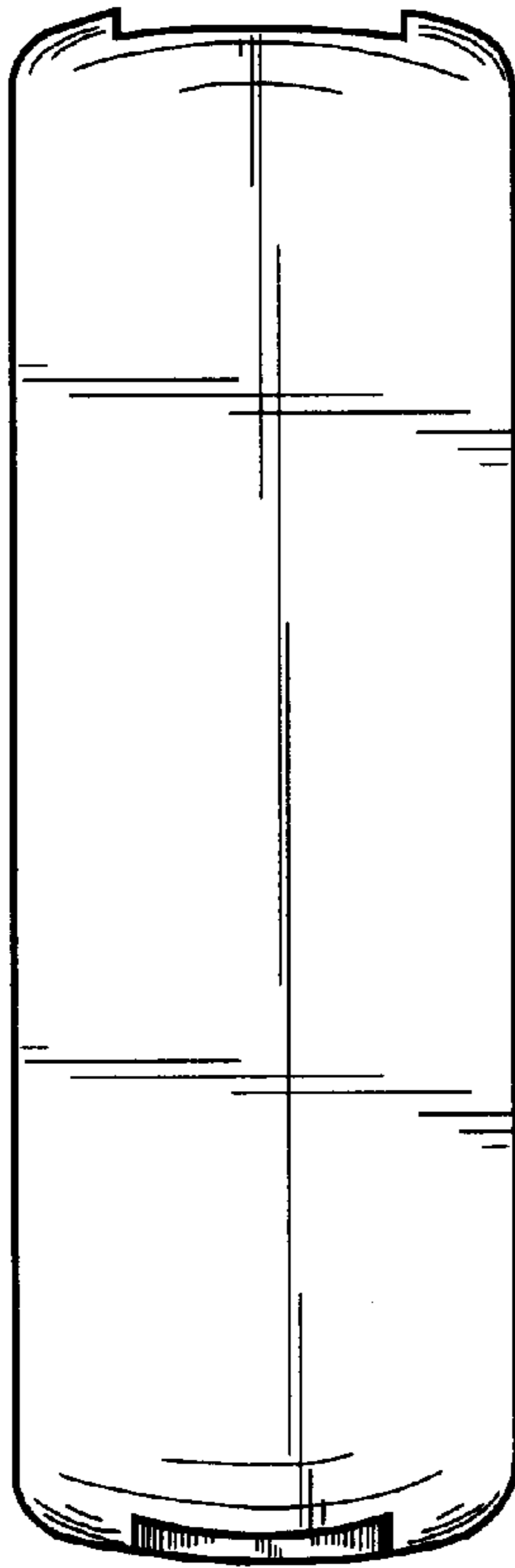


Fig. 3

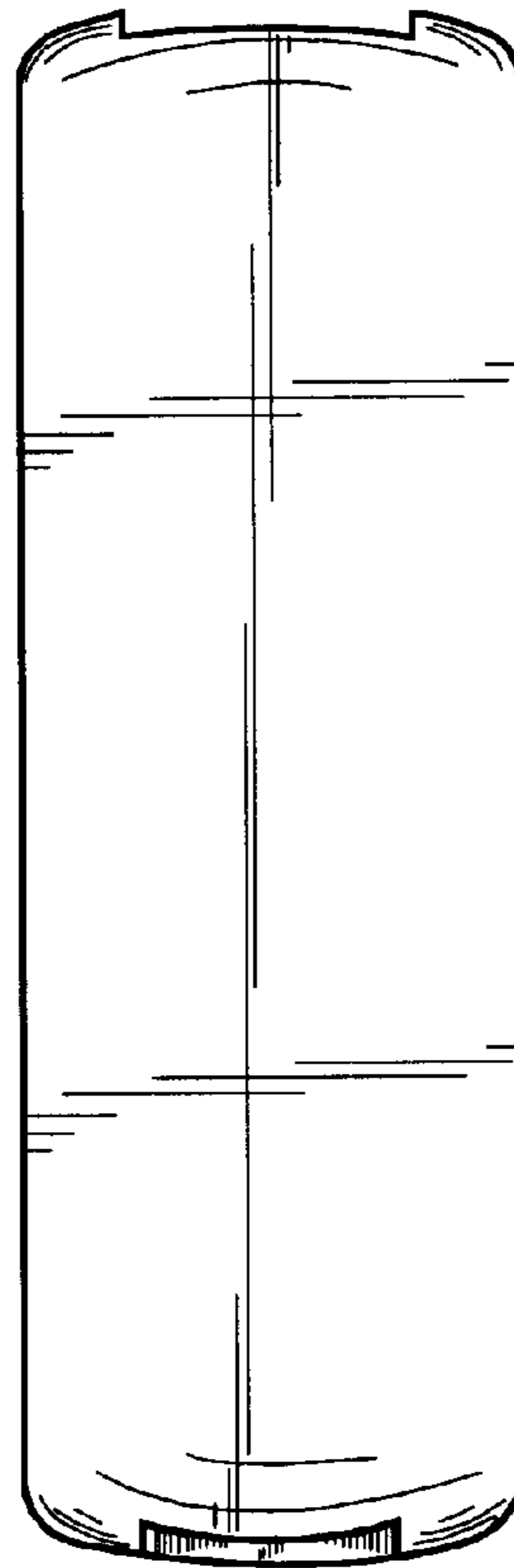


Fig. 6

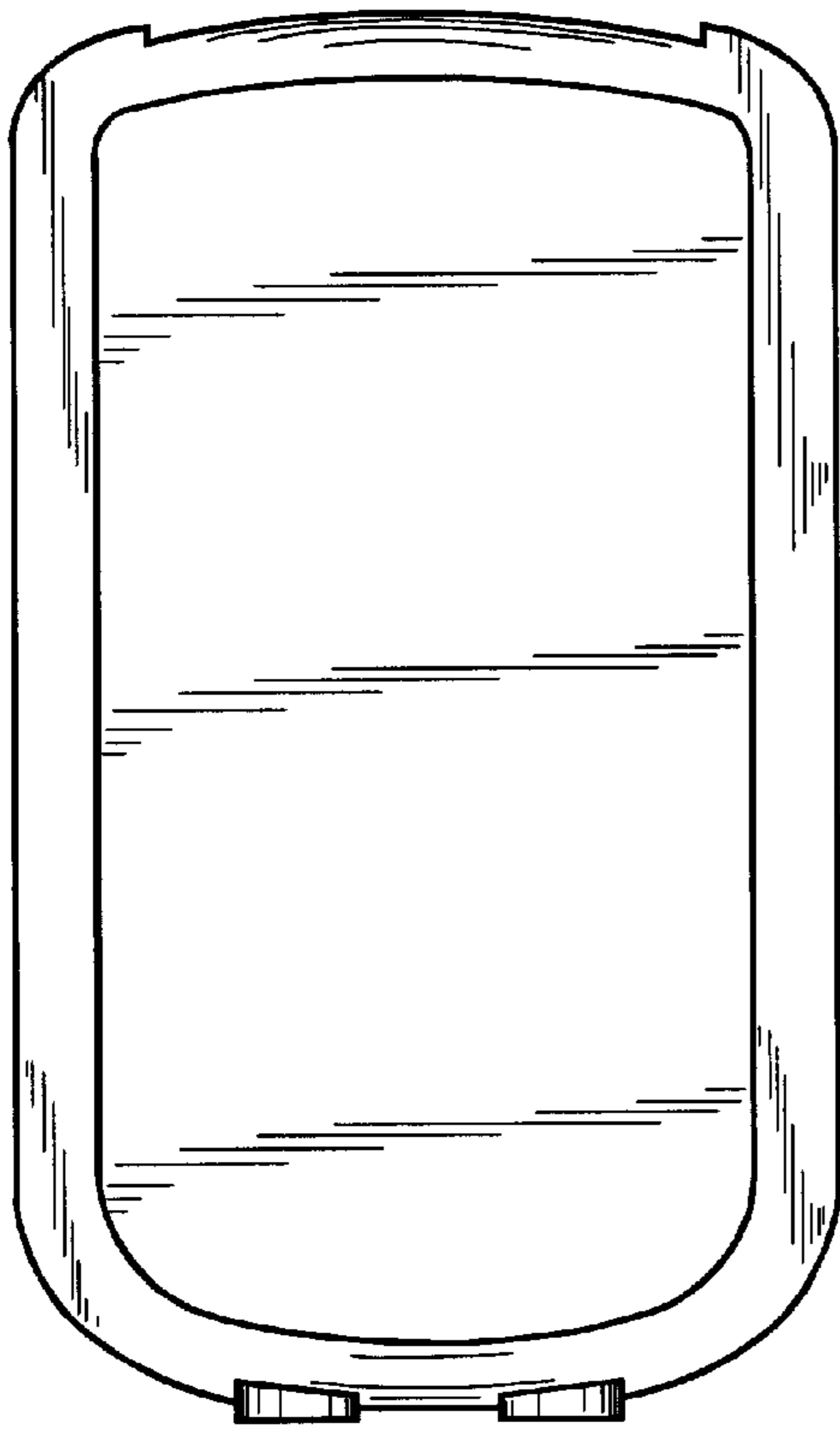


Fig. 4

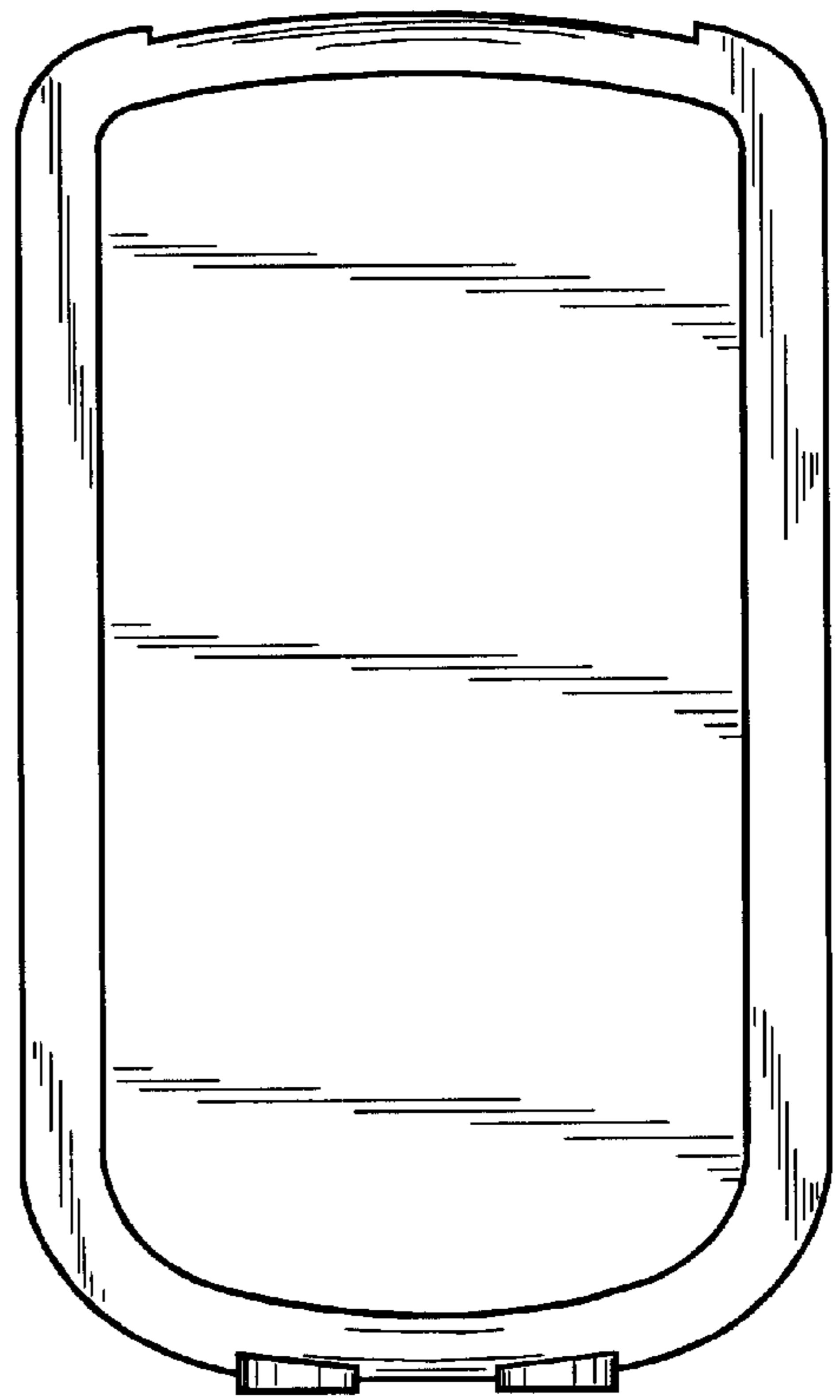


Fig. 7

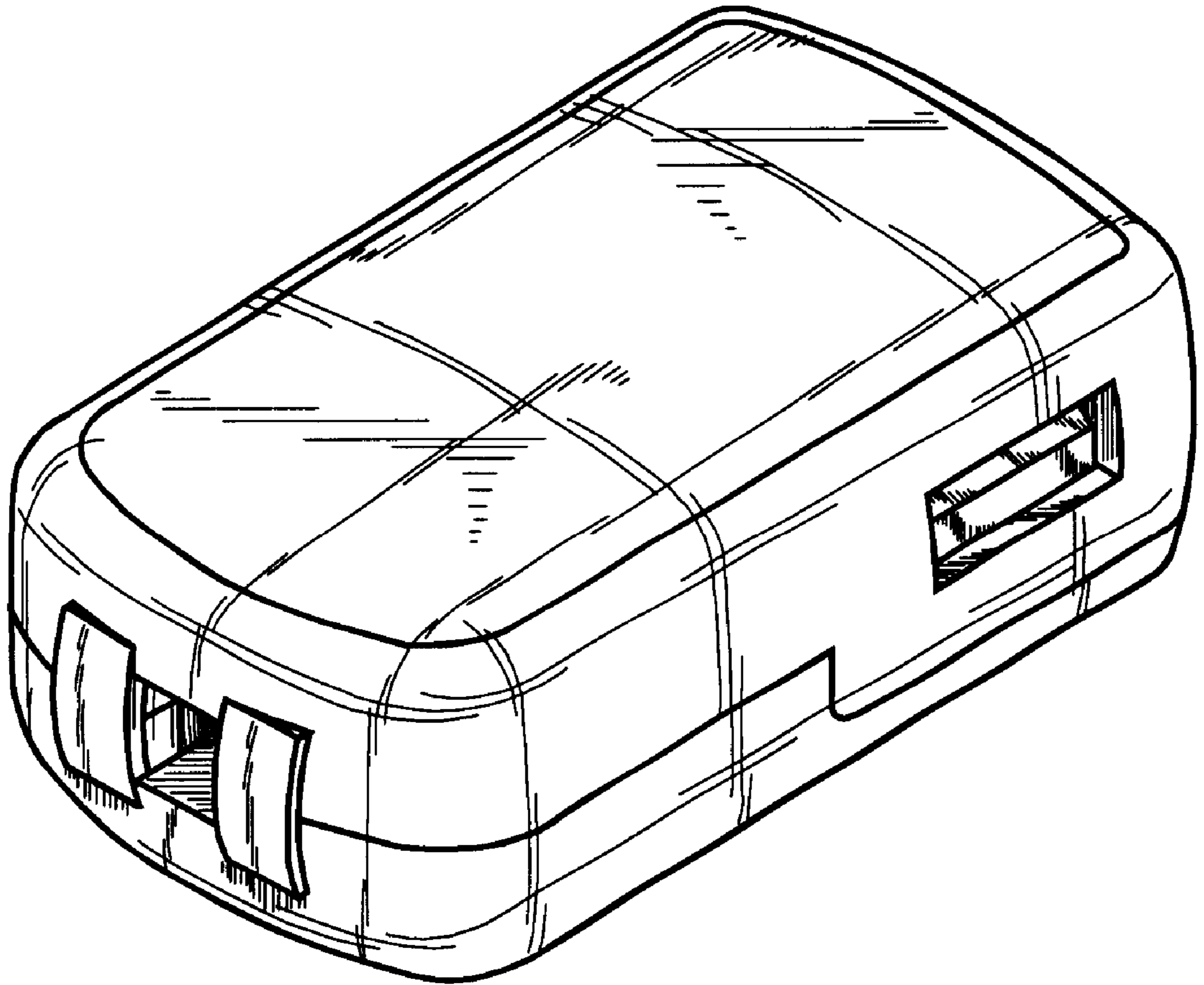


Fig. 8

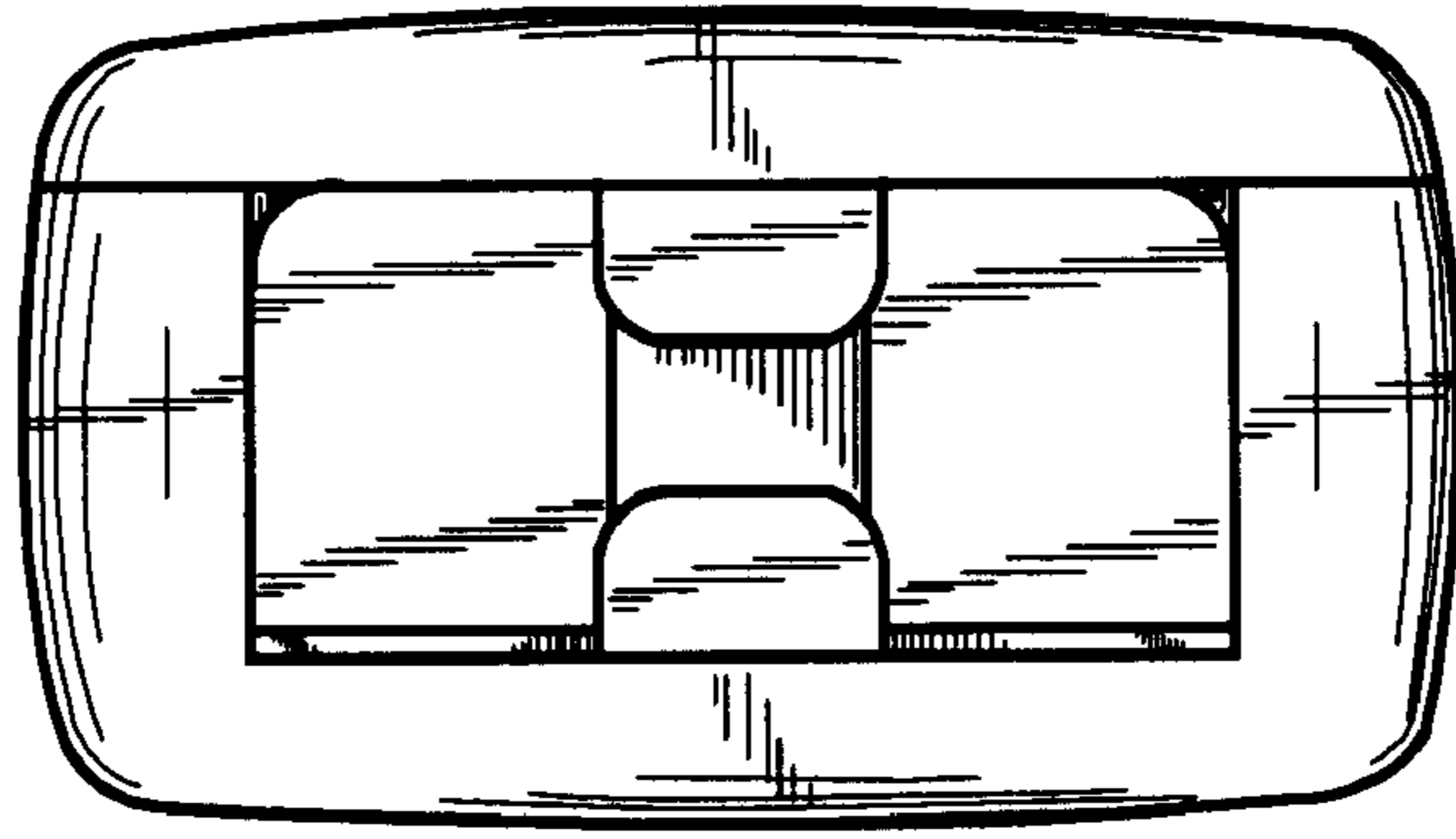


Fig. 9

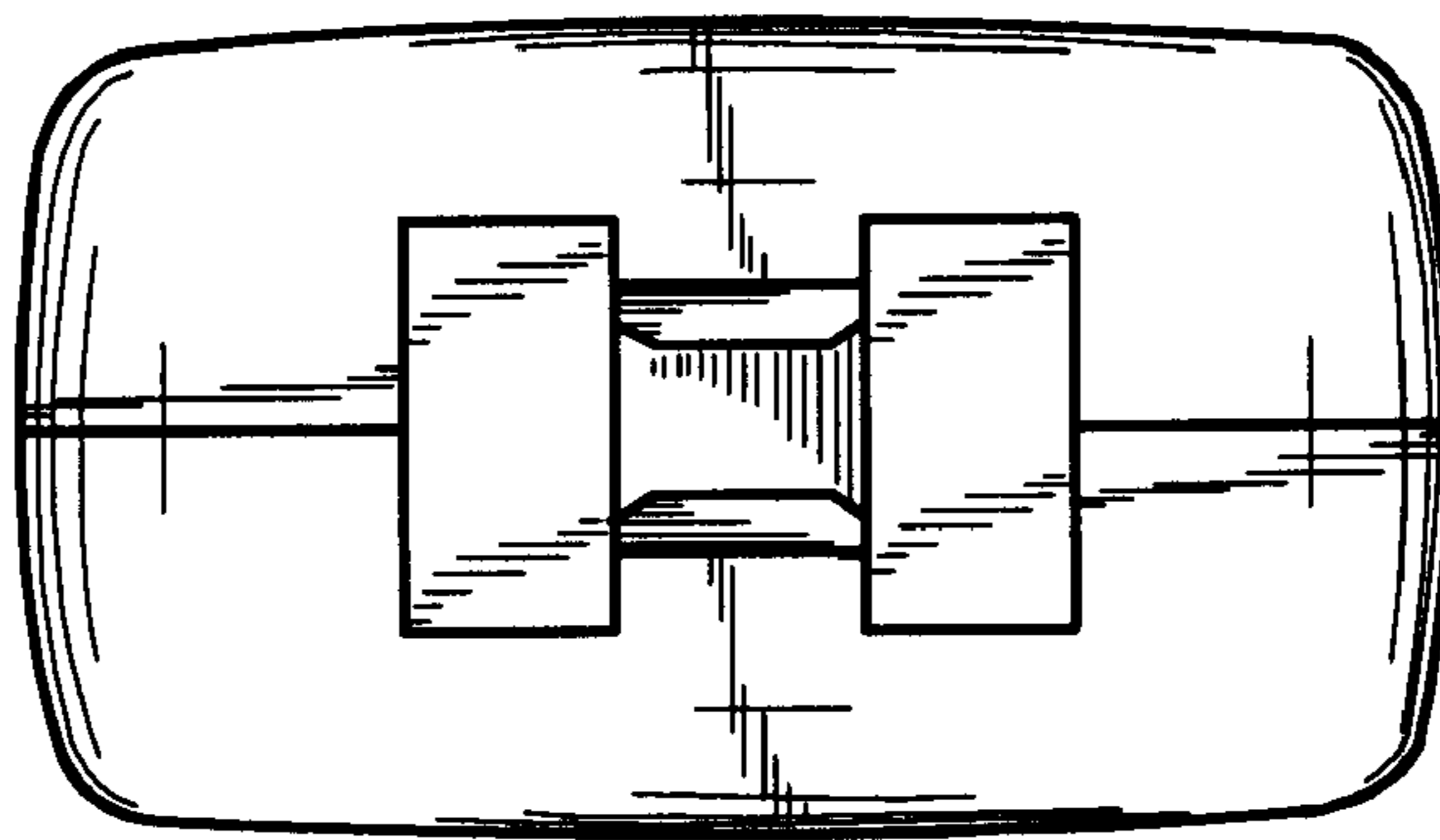


Fig. 12

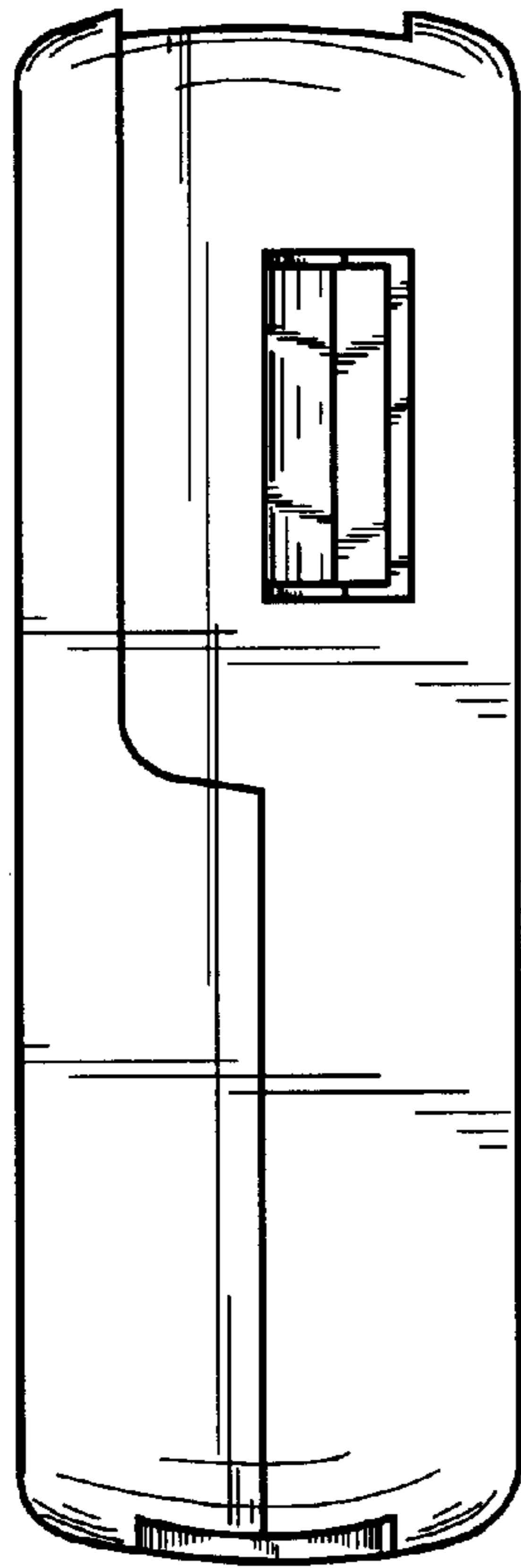


Fig. 10

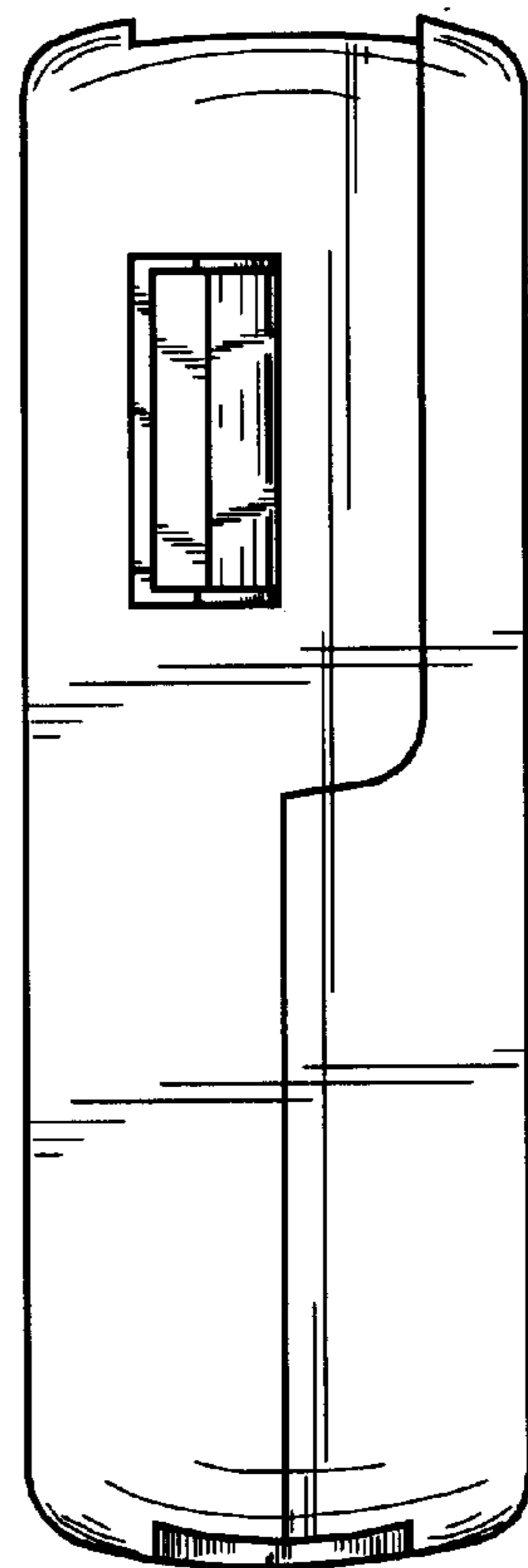


Fig. 13

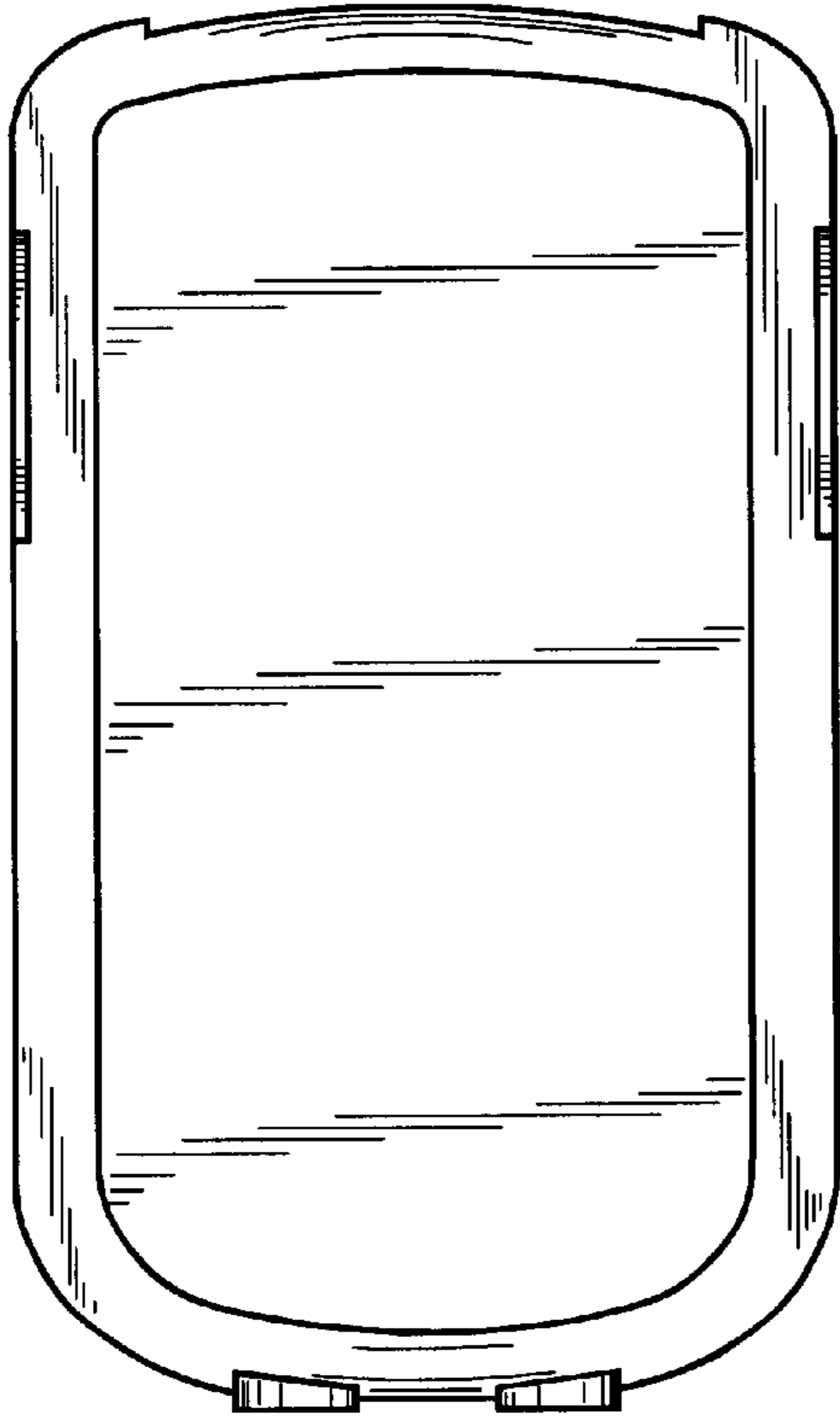


Fig. 11

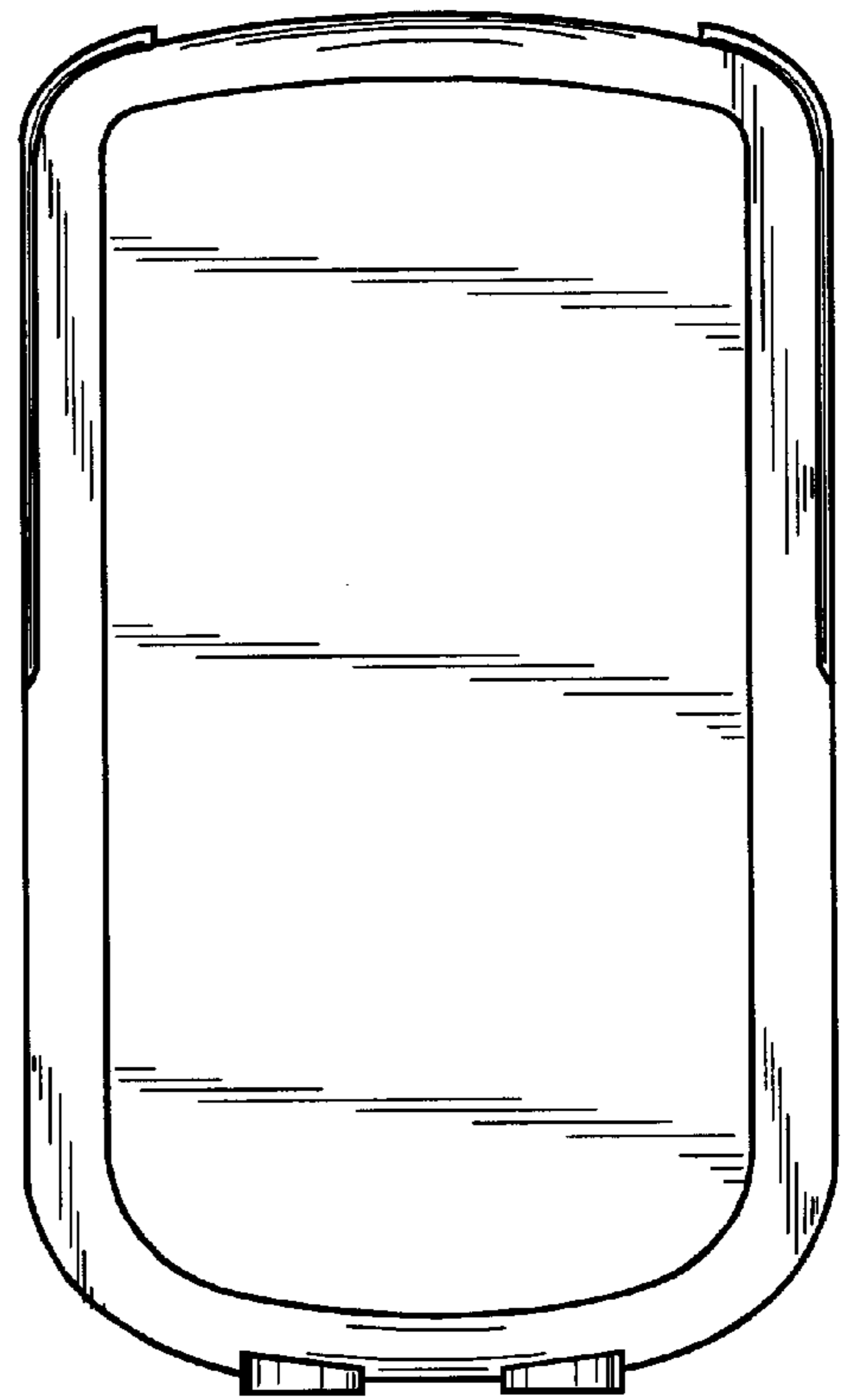


Fig. 14