



US00D466432S

(12) **United States Design Patent**  
**Itzkowitz**

(10) **Patent No.:** **US D466,432 S**

(45) **Date of Patent:** **\*\* Dec. 3, 2002**

(54) **FINGER RING**

(76) **Inventor:** **Israel Itzkowitz**, 4952 Placida Ave.,  
No. Hollywood, CA (US) 91601

(\*\*) **Term:** **14 Years**

(21) **Appl. No.:** **29/156,370**

(22) **Filed:** **Feb. 27, 2002**

**Related U.S. Application Data**

(62) Division of application No. 29/145,225, filed on Jul. 18, 2001, now Pat. No. Des. 458,181, which is a division of application No. 29/129,844, filed on Sep. 22, 2000, now Pat. No. Des. 446,470.

(51) **LOC (7) Cl.** ..... **11-01**

(52) **U.S. Cl.** ..... **D11/35**

(58) **Field of Search** ..... D11/26-39, 3,  
D11/4; 63/15, 15.1, 15.2, 15.3, 15.4, 15.45,  
15.5, 15.6, 15.65, 15.7, 15.8, 15.9, 26-28,  
3

(56) **References Cited**

**U.S. PATENT DOCUMENTS**

665,089 A \* 1/1901 Greenberg ..... 63/15  
D131,414 S \* 2/1942 Rowan ..... D11/35  
D145,848 S \* 10/1946 Nalick ..... D11/35

D255,556 S \* 6/1980 Bogner et al. .... D11/26  
D349,072 S \* 7/1994 Ambar ..... D11/34  
D400,119 S \* 10/1998 Itzkowitz ..... D11/26  
D432,938 S \* 10/2000 Vardakis et al. .... D11/26  
D438,137 S \* 2/2001 Grisoni ..... D11/26

**OTHER PUBLICATIONS**

Platinum Guild International USA magazine; Platinum 2000; p. 91; ring upper, center on page.\*

\* cited by examiner

*Primary Examiner*—Cathy Anne MacCormac

(74) *Attorney, Agent, or Firm*—Howard C. Miskin, Esq.;  
Gloria Tsui-Yip, Esq.

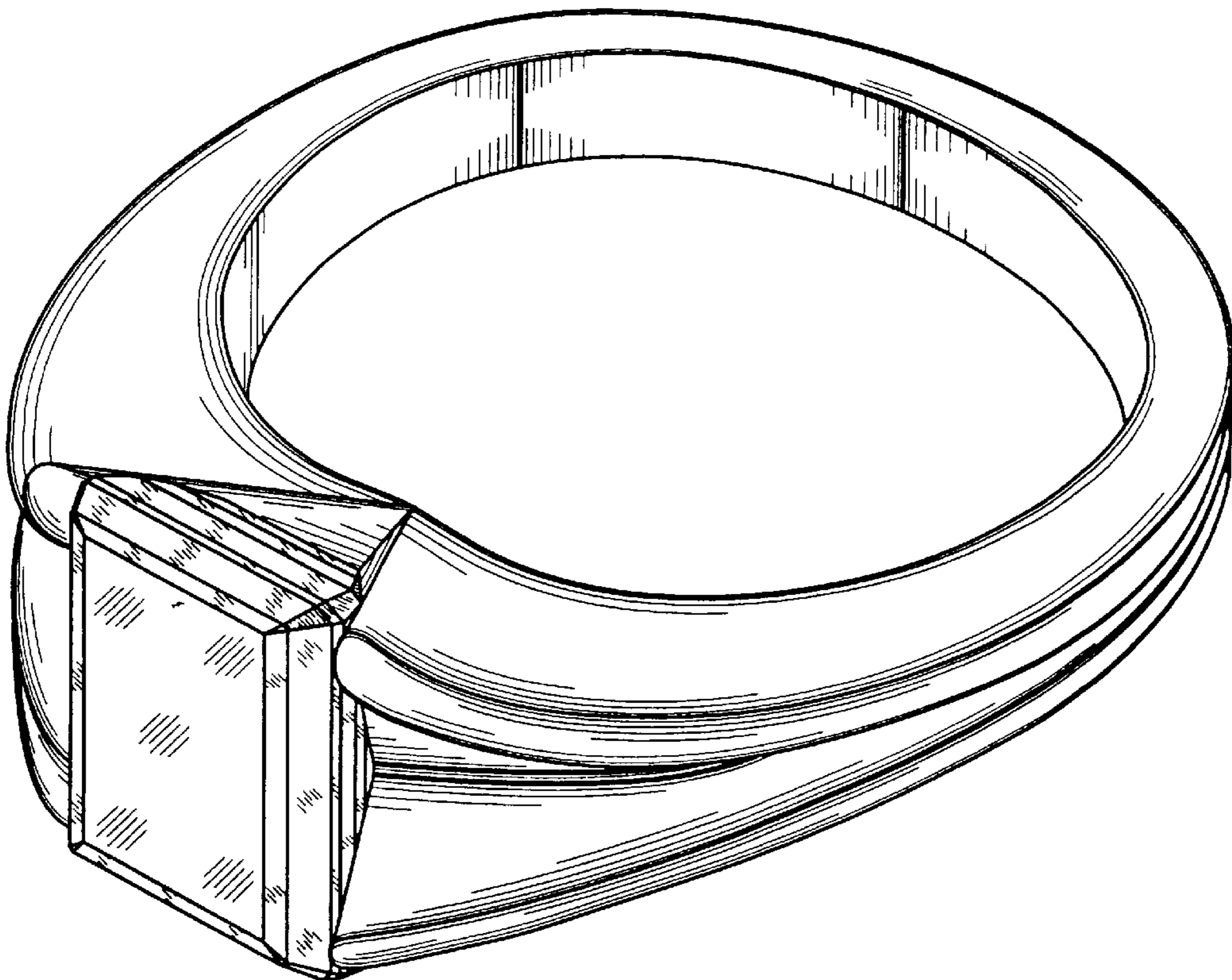
(57) **CLAIM**

The ornamental design for a finger ring, as shown and described.

**DESCRIPTION**

FIG. 1 is a perspective view of my new design;  
FIG. 2 is a front elevational view, the rear elevational view being a mirror image thereof;  
FIG. 3 is a left side view, the right side view being a mirror image thereof;  
FIG. 4 is a top plan view; and,  
FIG. 5 is a bottom plan view.

**1 Claim, 3 Drawing Sheets**



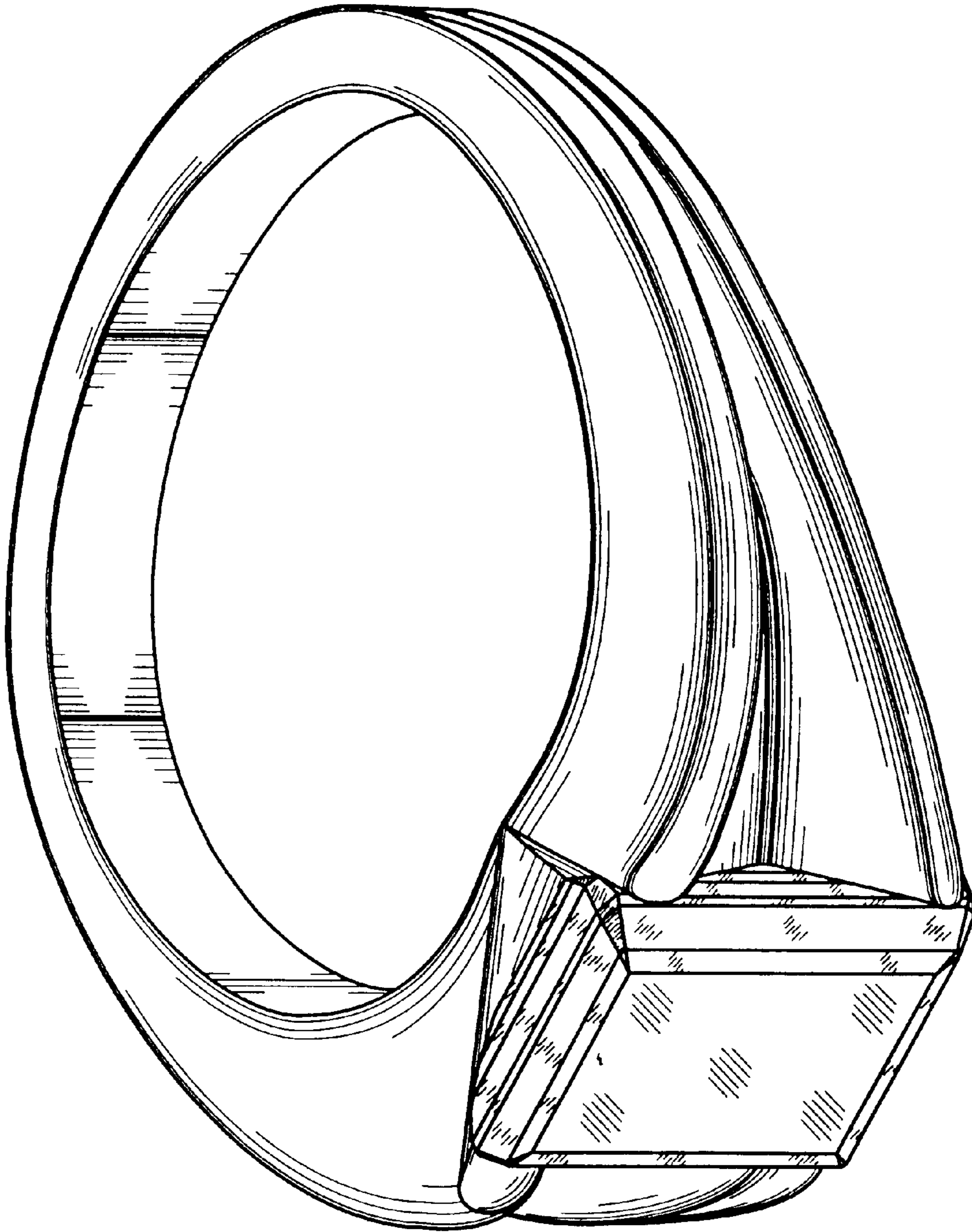


FIG. 1



FIG. 3

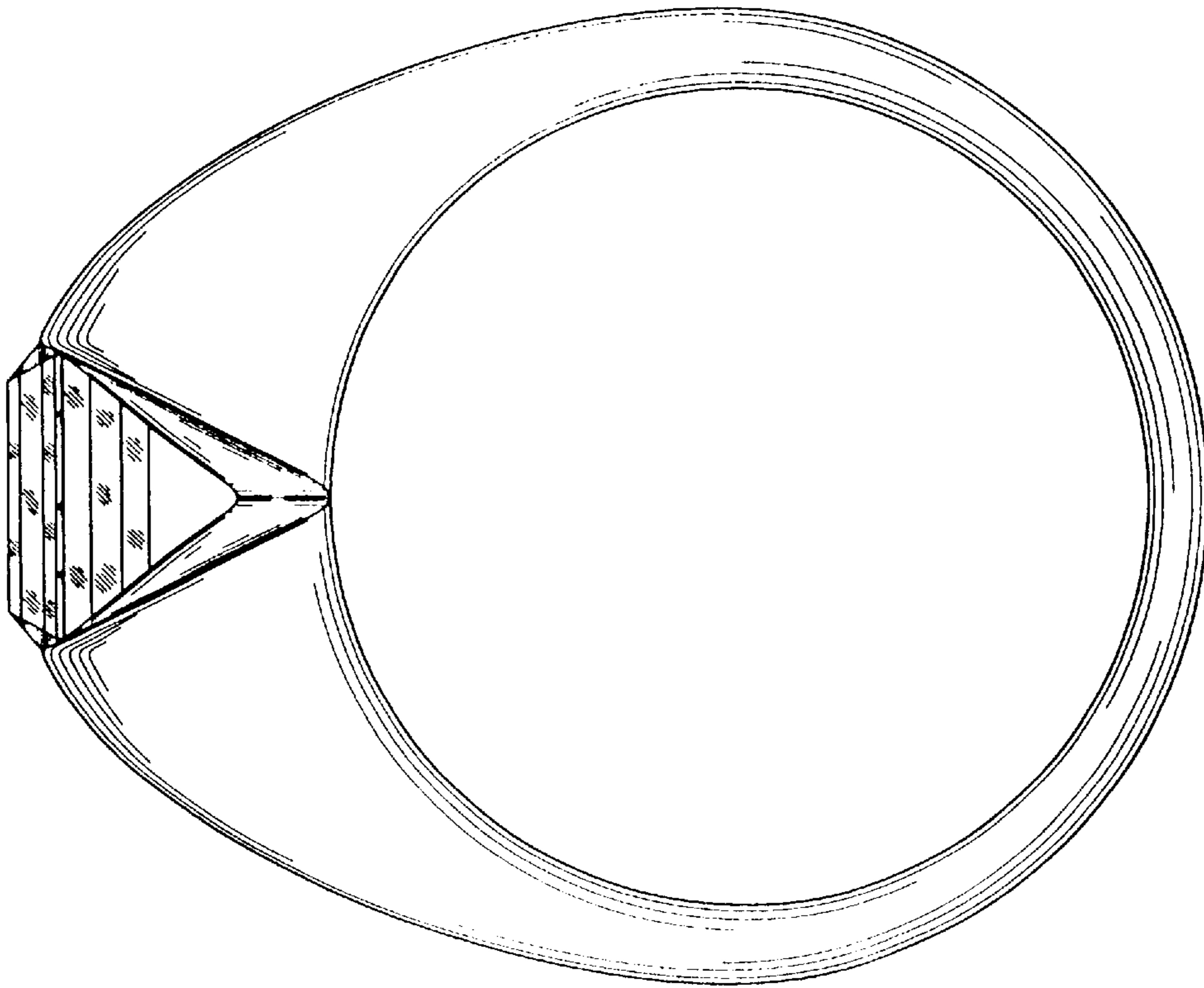


FIG. 2

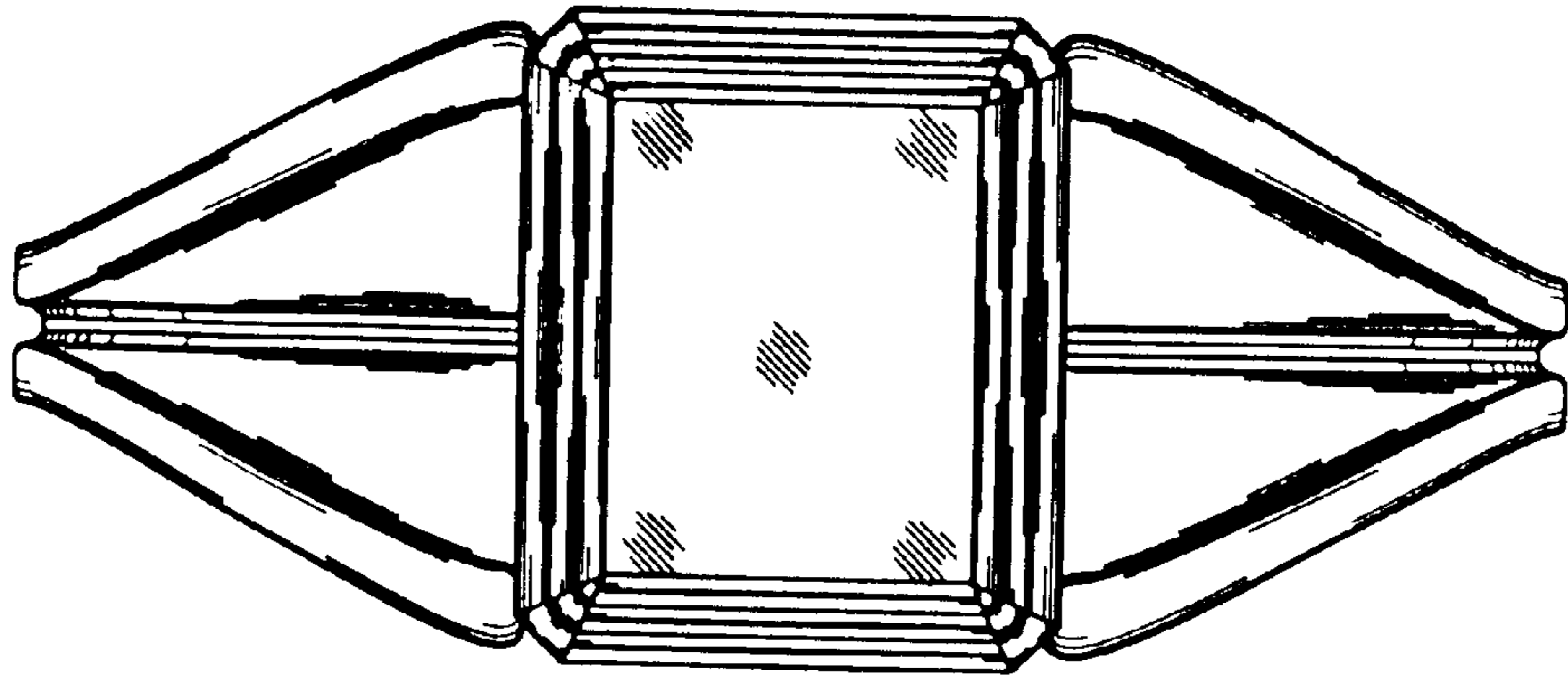


FIG. 4

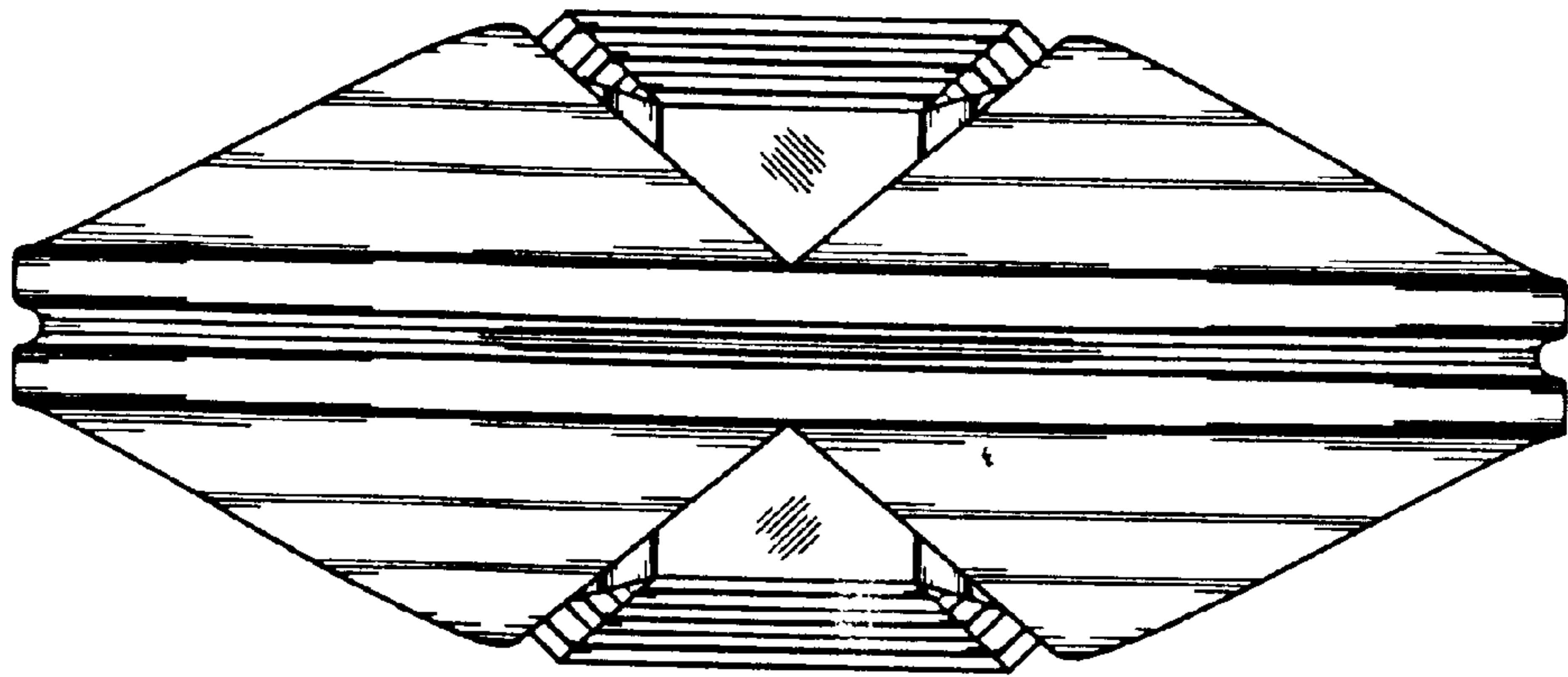


FIG. 5