



US00D466430S

(12) **United States Design Patent**  
**Corrigan**

(10) **Patent No.:** **US D466,430 S**

(45) **Date of Patent:** **\*\* Dec. 3, 2002**

(54) **AUDIBLE ALARM GRILL**

(75) Inventor: **Robert W. Corrigan**, Boise, ID (US)

(73) Assignee: **Electronic Controls Company**, Boise, ID (US)

(\*\*) Term: **14 Years**

(21) Appl. No.: **29/160,191**

(22) Filed: **May 6, 2002**

(51) **LOC (7) Cl.** ..... **10-04**

(52) **U.S. Cl.** ..... **D10/106**

(58) **Field of Search** ..... D10/104, 106,  
D10/116, 121; 340/540, 545, 571-573,  
577, 578, 628-630

(56) **References Cited**

**U.S. PATENT DOCUMENTS**

6,133,839 A \* 10/2000 Ellui, Jr. et al. .... 340/628 X

\* cited by examiner

*Primary Examiner*—Antoine Duval Davis

(74) *Attorney, Agent, or Firm*—Joseph W. Holland

(57) **CLAIM**

The ornamental design for an audible alarm grill, as shown and described.

**DESCRIPTION**

FIG. 1 is a perspective view of an audible alarm grill showing my new design;

FIG. 2 is a front view thereof;

FIG. 3 is a first side view thereof;

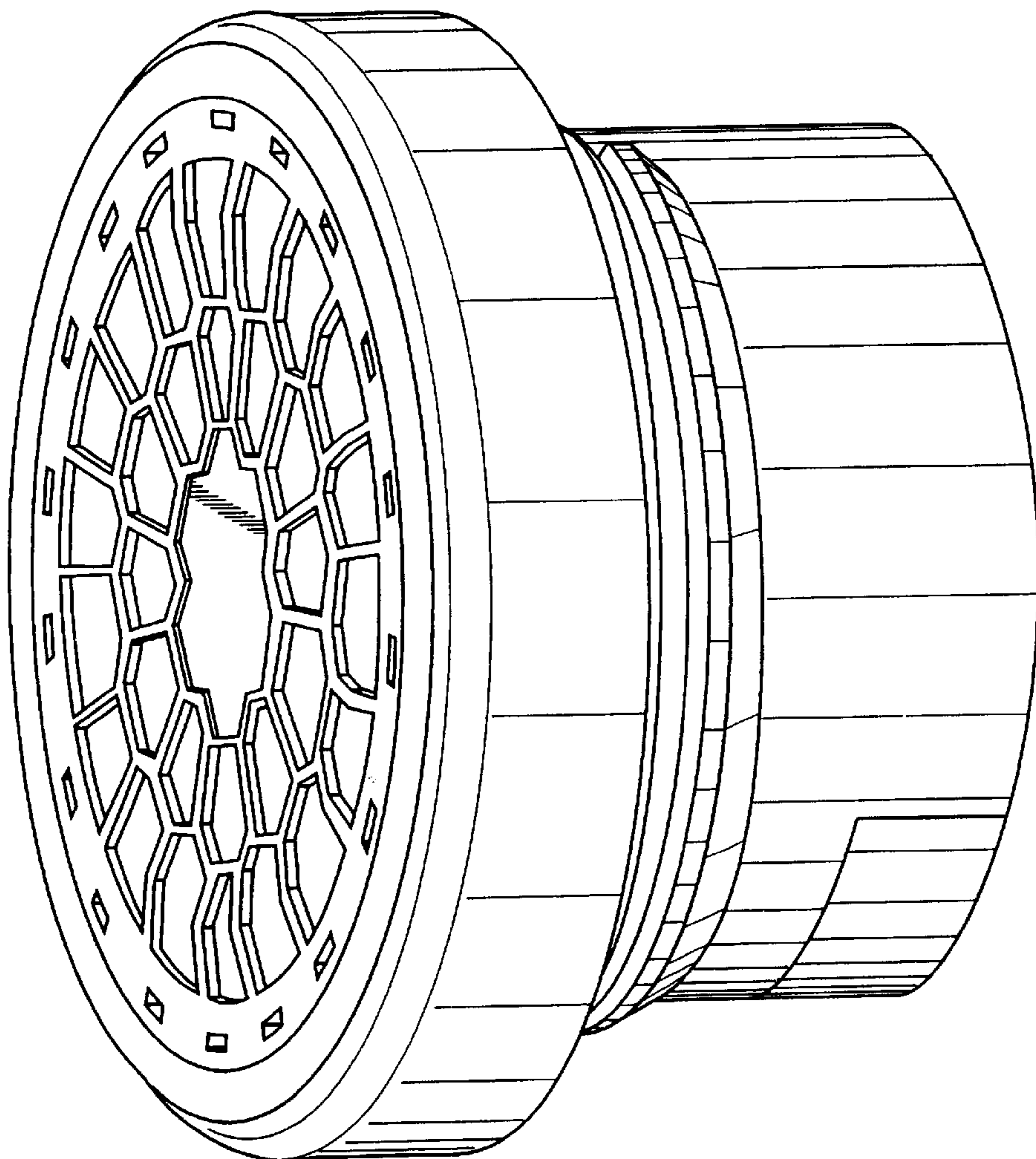
FIG. 4 is a rear view thereof;

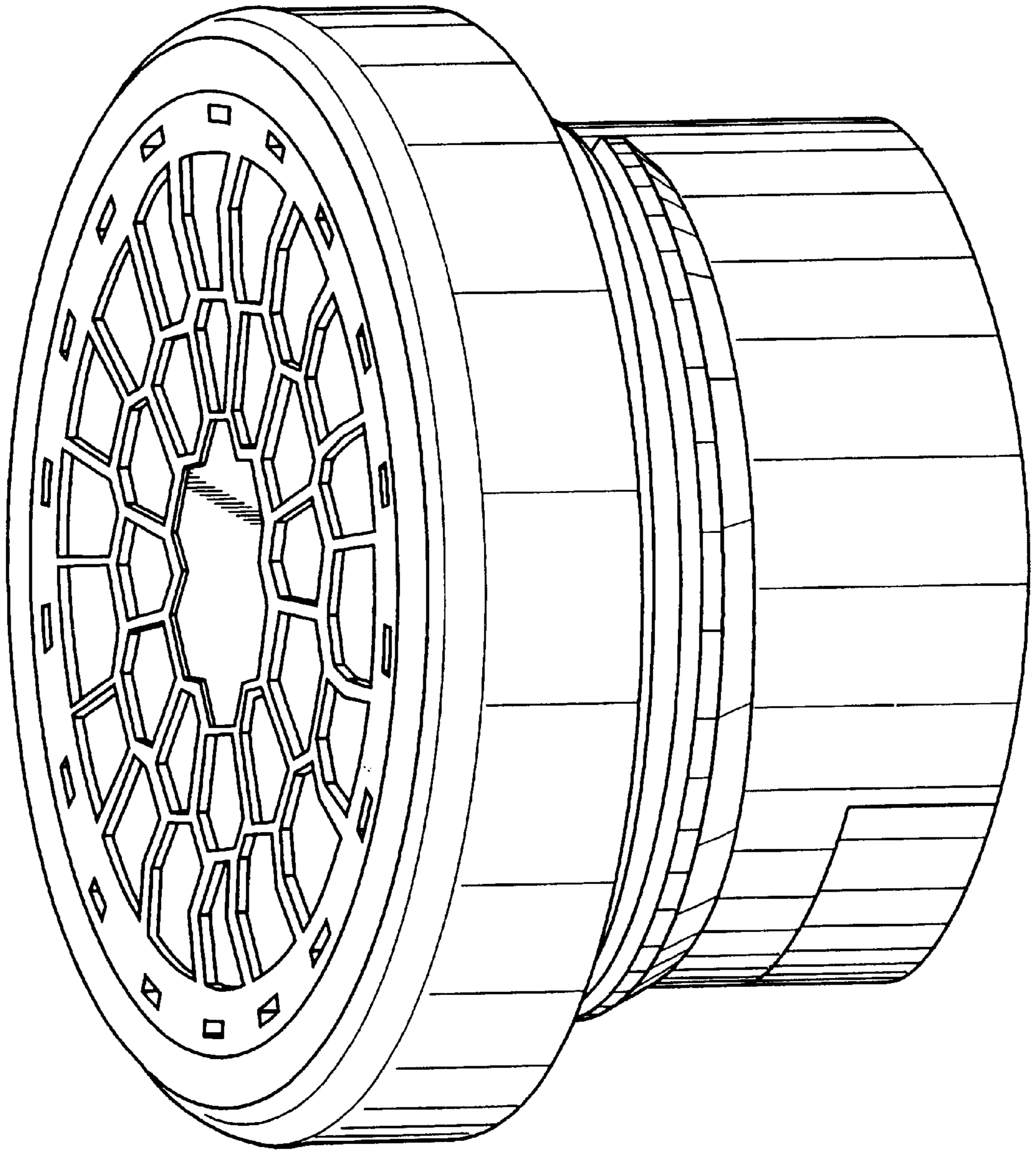
FIG. 5 is a second side view thereof;

FIG. 6 is a top view thereof; and,

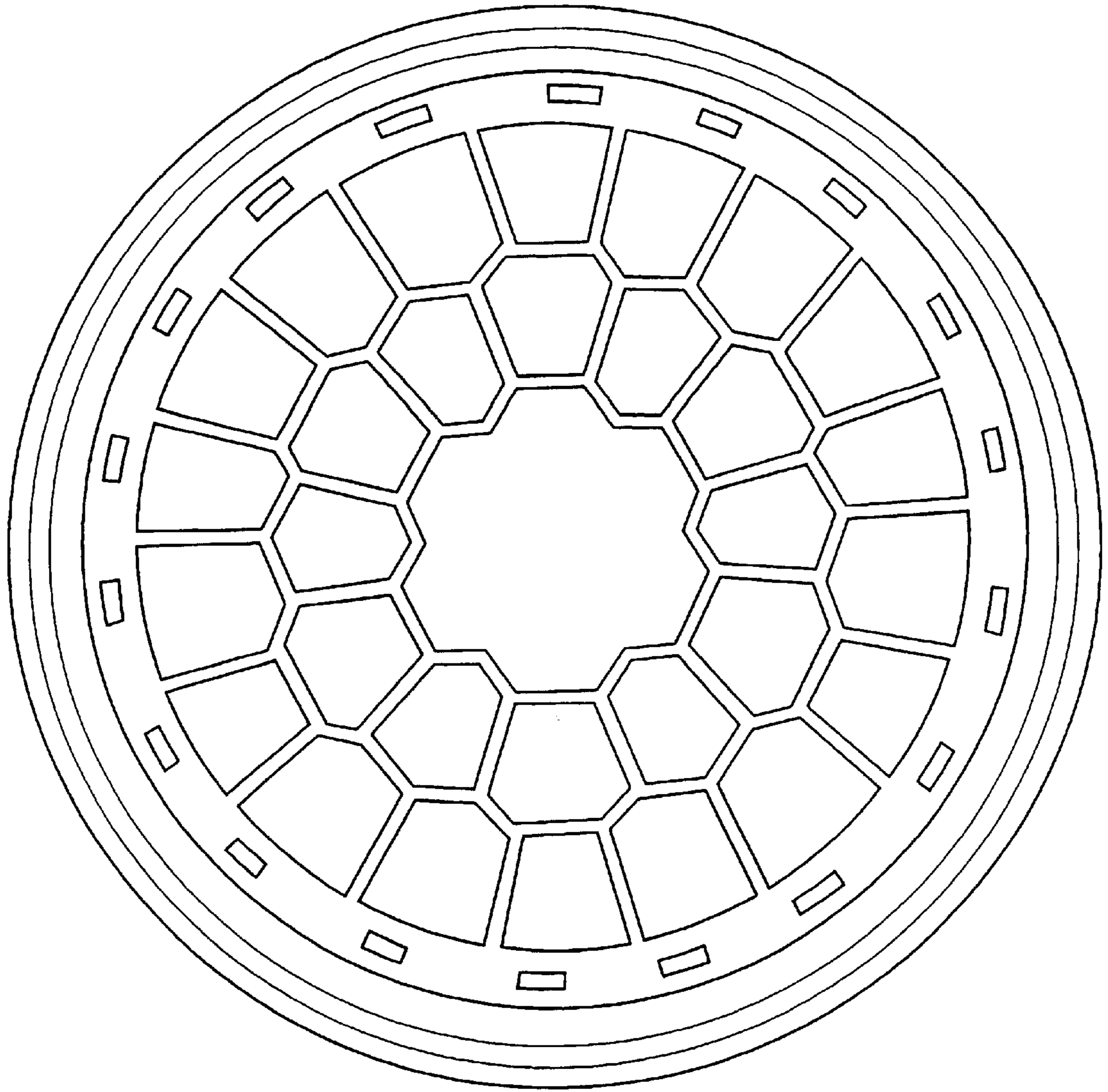
FIG. 7 is a bottom view thereof.

**1 Claim, 7 Drawing Sheets**

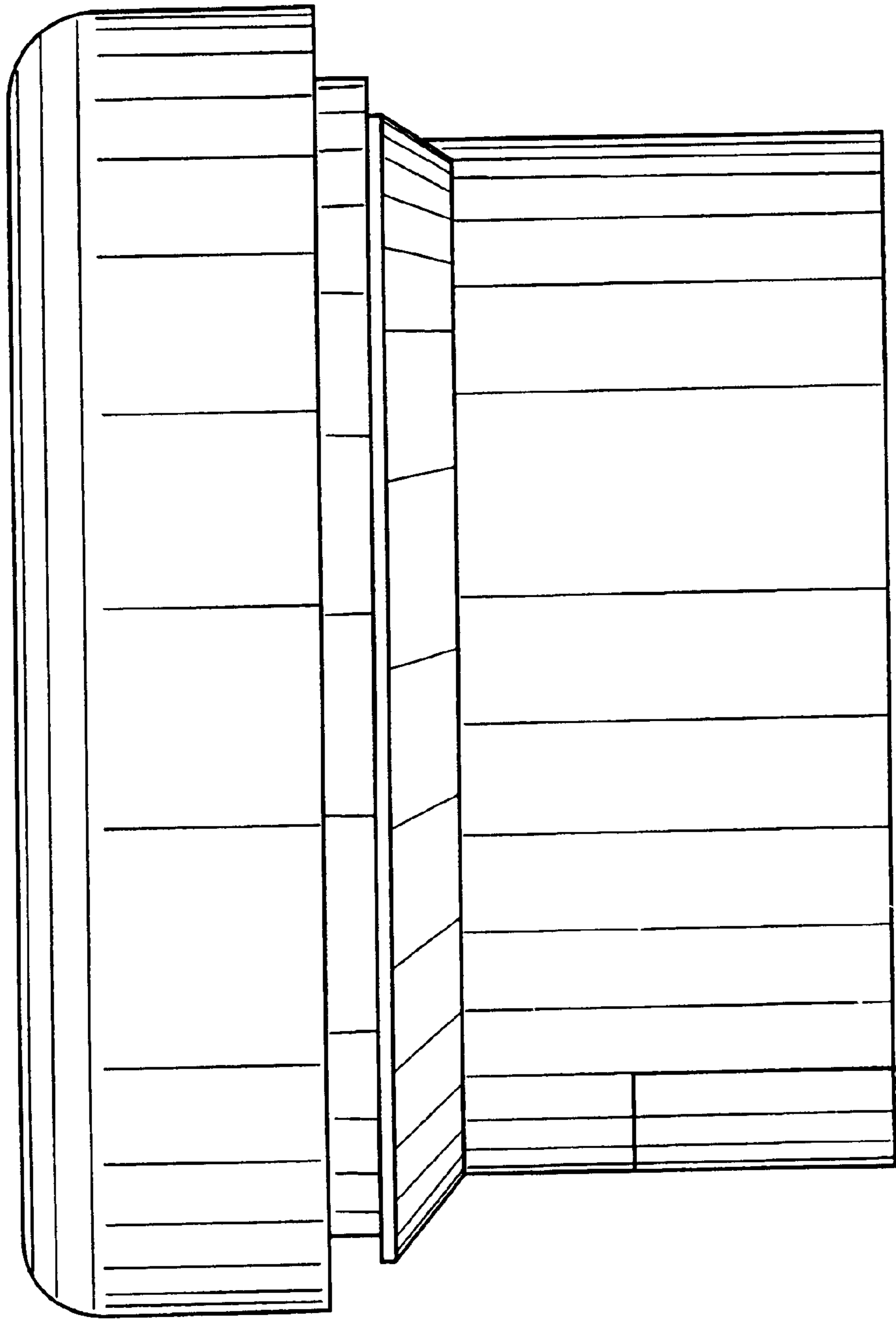




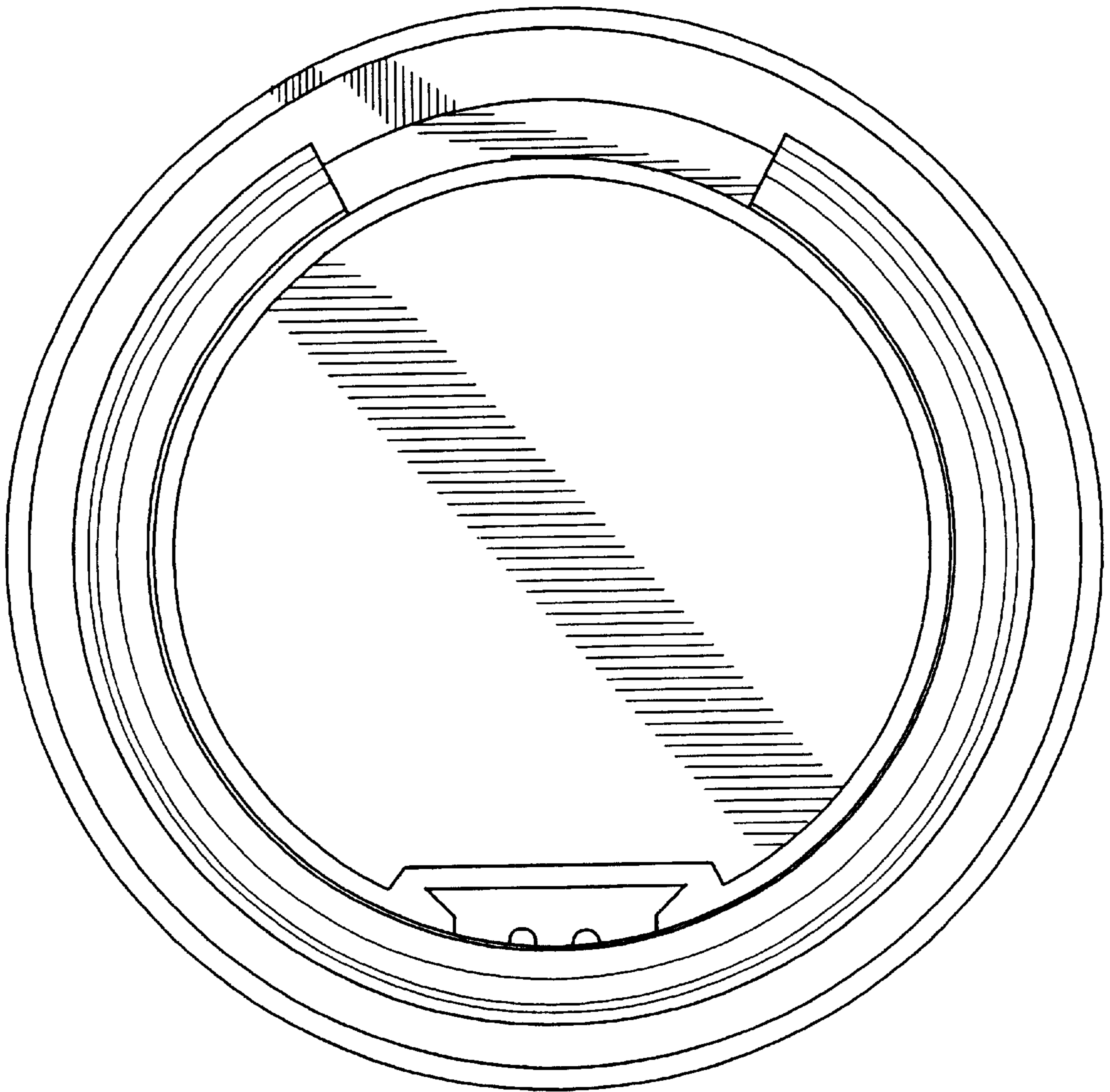
**FIG. 1**



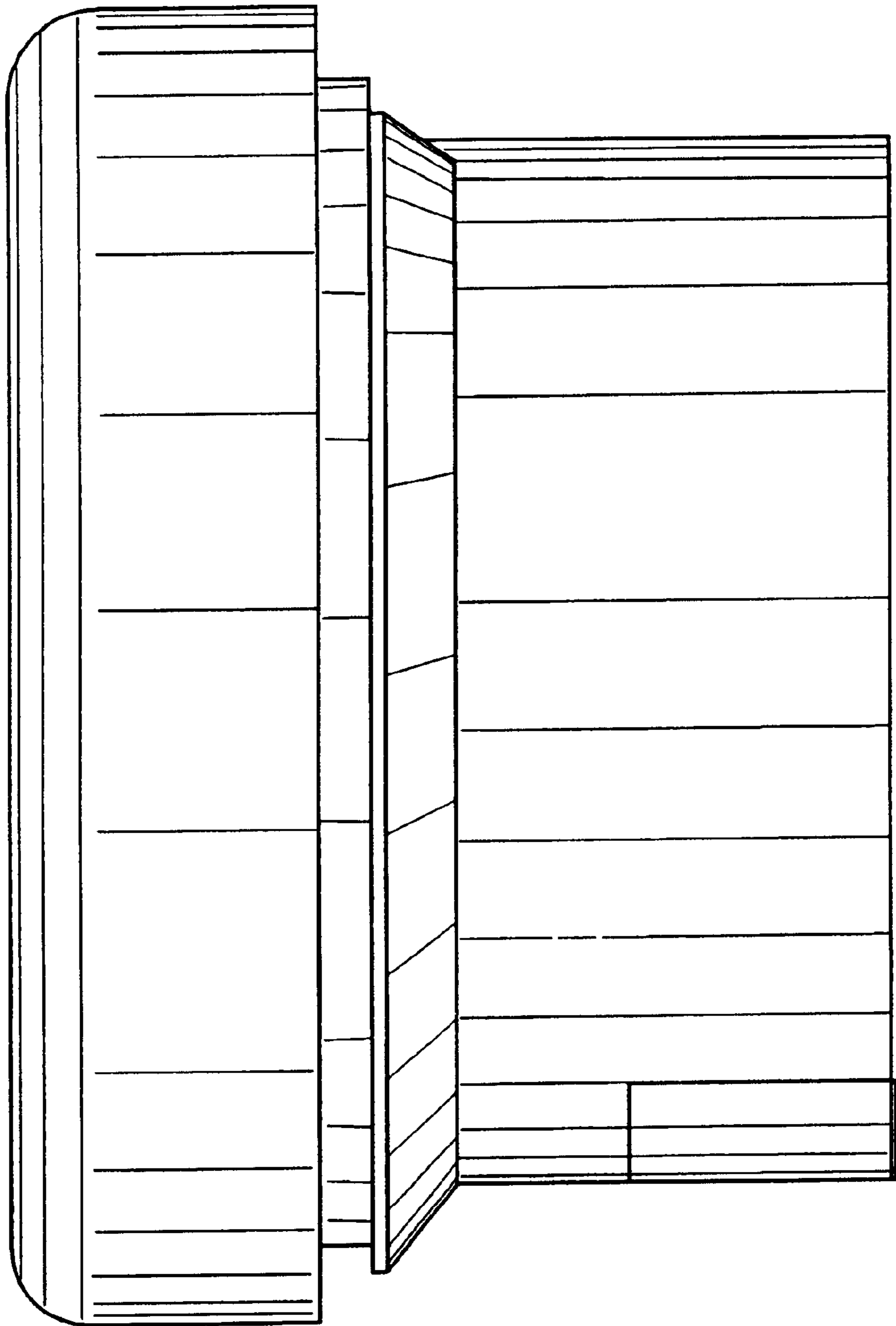
**FIG. 2**



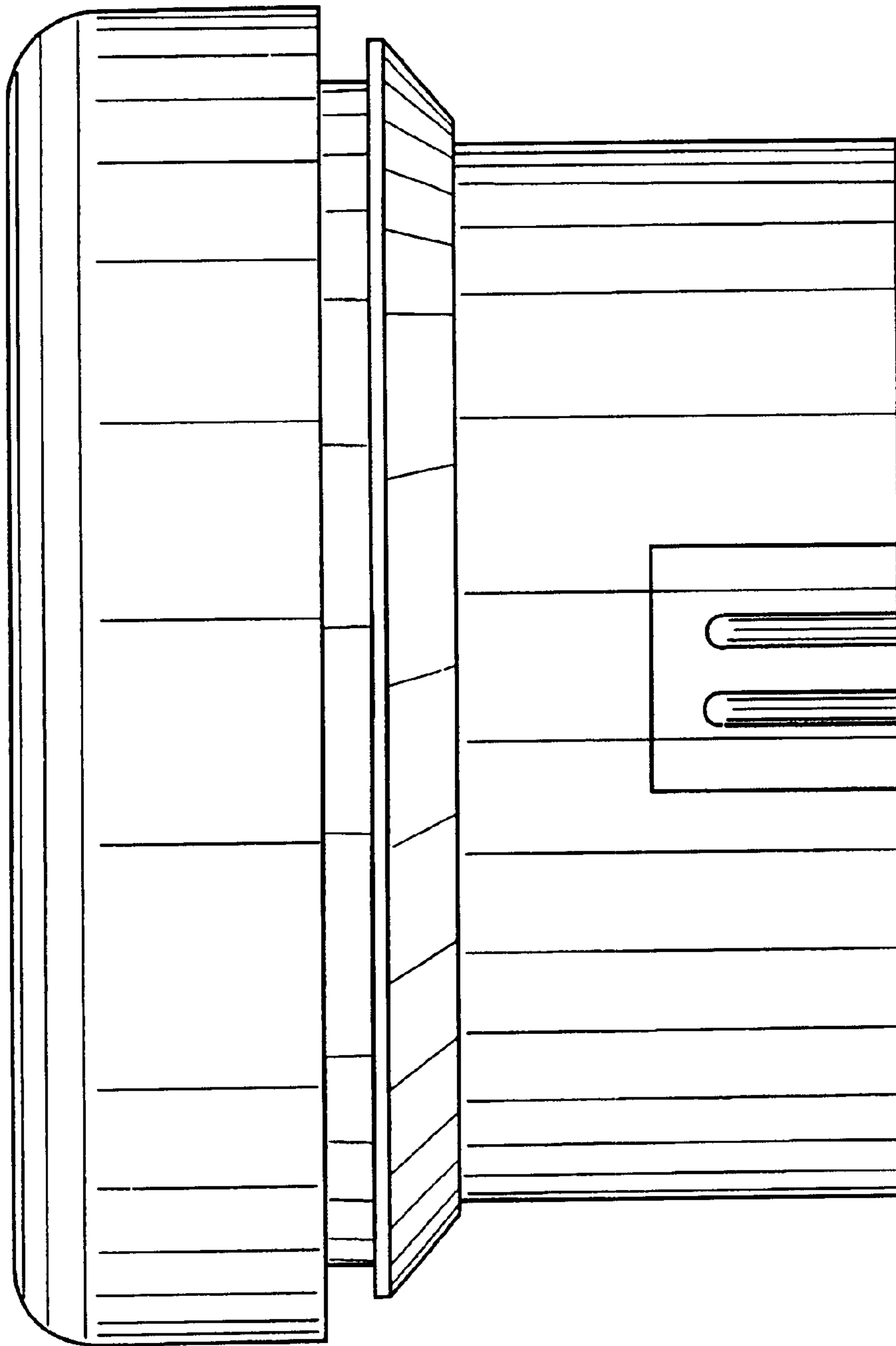
**FIG. 3**



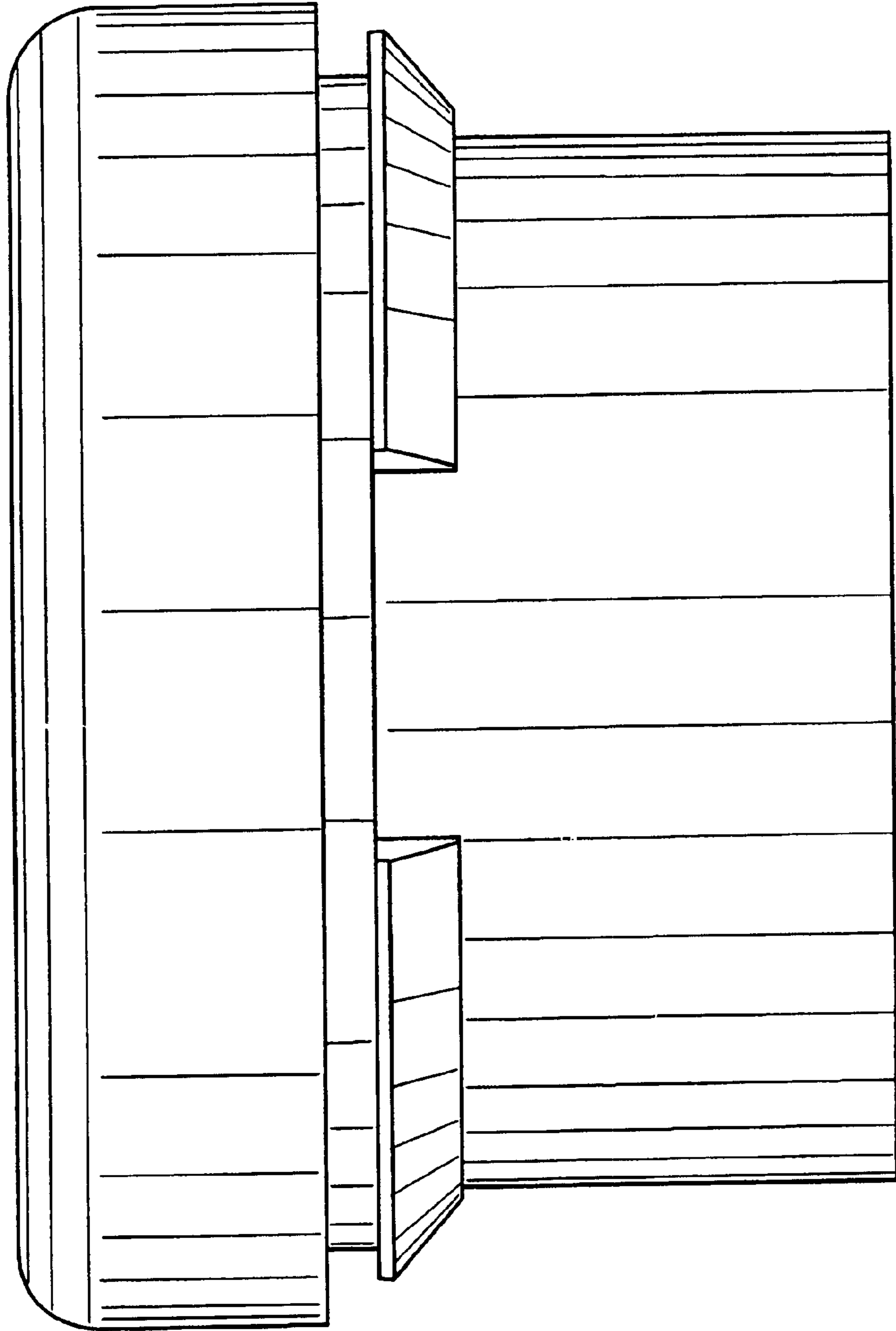
**FIG. 4**



**FIG. 5**



**FIG. 6**



**FIG. 7**