



US00D466429S

(12) **United States Design Patent** (10) **Patent No.:** **US D466,429 S**
Sandell et al. (45) **Date of Patent:** **** Dec. 3, 2002**

(54) **COMBINED MOUNTING BASE FOR A LIGHT FIXTURE AND PASSIVE INFRARED MOTION DETECTOR**

Primary Examiner—Marcus A. Jackson
 (74) *Attorney, Agent, or Firm*—Elliot B. Aronson

(75) **Inventors:** **Donald R. Sandell**, San Jose, CA (US);
Wade Lee, Lafayette, CA (US)

(57) **CLAIM**

The ornamental design for a combined mounting base for a light fixture and passive infrared motion detector, as shown and described.

(73) **Assignee:** **Larry C. Y. Lee**, Hayward, CA (US)

(**) **Term:** **14 Years**

DESCRIPTION

(21) **Appl. No.:** **29/043,444**

(22) **Filed:** **Aug. 11, 1995**

(51) **LOC (7) Cl.** **10-05**

(52) **U.S. Cl.** **D10/106**

(58) **Field of Search** D26/72, 73, 74;
 D10/104, 106, 121; 340/521, 540, 545,
 546, 555, 556, 557, 565, 567, 578, 600,
 693

FIG. 1 is a perspective view, at a reduced scale, of a combined mounting base for a light fixture and passive infrared motion detector showing our new design, with the broken line shown for illustrative purposes only and forming no part of the claimed design;

(56) **References Cited**

U.S. PATENT DOCUMENTS

D319,196 S	*	8/1991	Hwang	D10/106
D335,467 S	*	5/1993	Cheng	D10/106
D338,845 S	*	8/1993	Rohrs	D10/106
D339,758 S	*	9/1993	Warrington	D10/106

FIG. 2 is a lower right perspective view of the combined mounting base of FIG. 1;

FIG. 3 is a front elevational view thereof; the rear view is plain and unornamented, having the same silhouette, and is not normally seen in ordinary use.

OTHER PUBLICATIONS

International Lighting Catalog 1090, pp. 77–80, 82–83, prior to Aug. 1995.

“Regent Motion-Activated Coach Lanterns,” Regent Lighting Corporation, Product promotional literature, prior to May 1994.

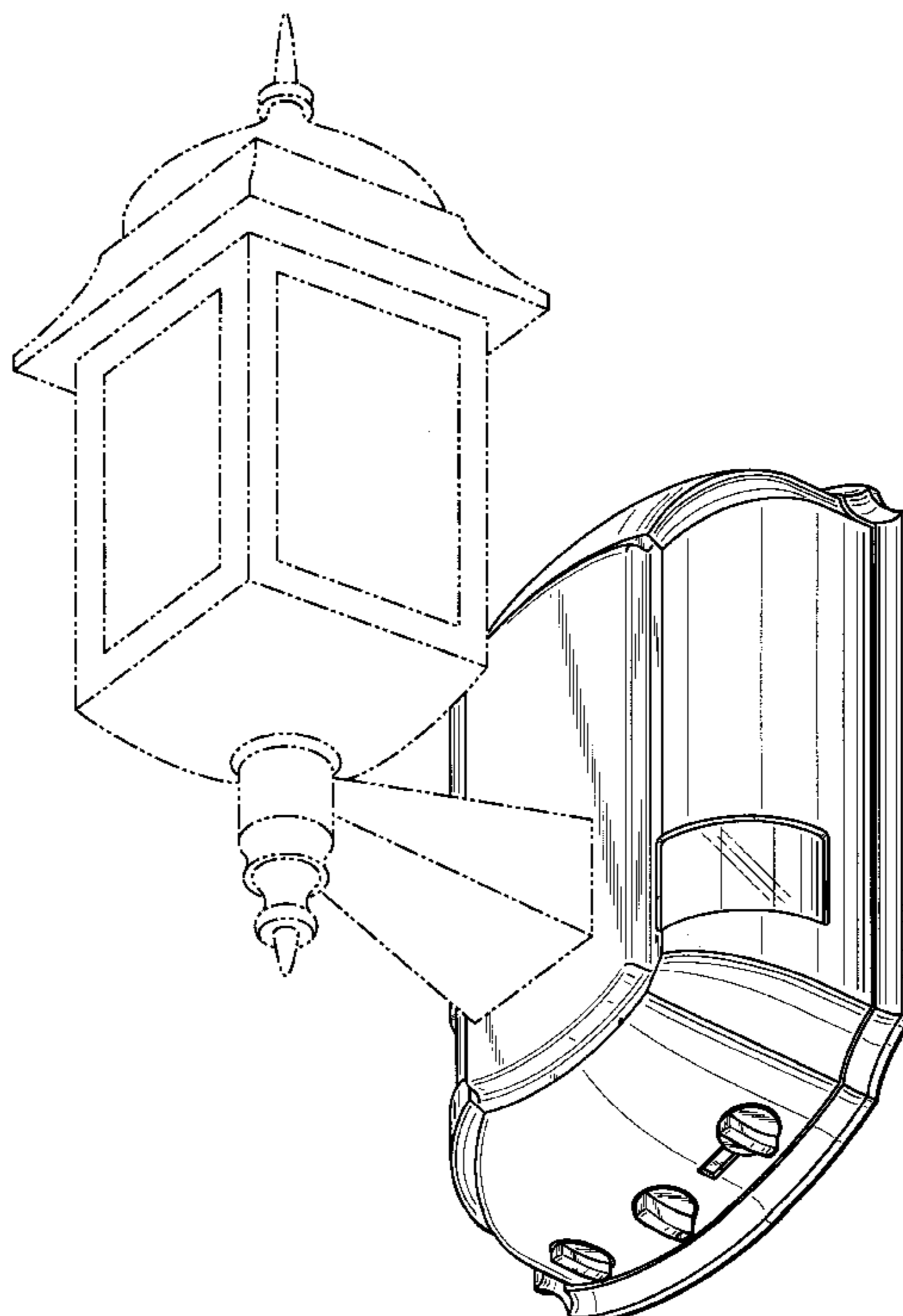
FIG. 4 is a left elevational view thereof, the right elevational view being a mirror image;

FIG. 5 is a top plan view thereof; and,

FIG. 6 is a bottom plan view thereof.

* cited by examiner

1 Claim, 4 Drawing Sheets



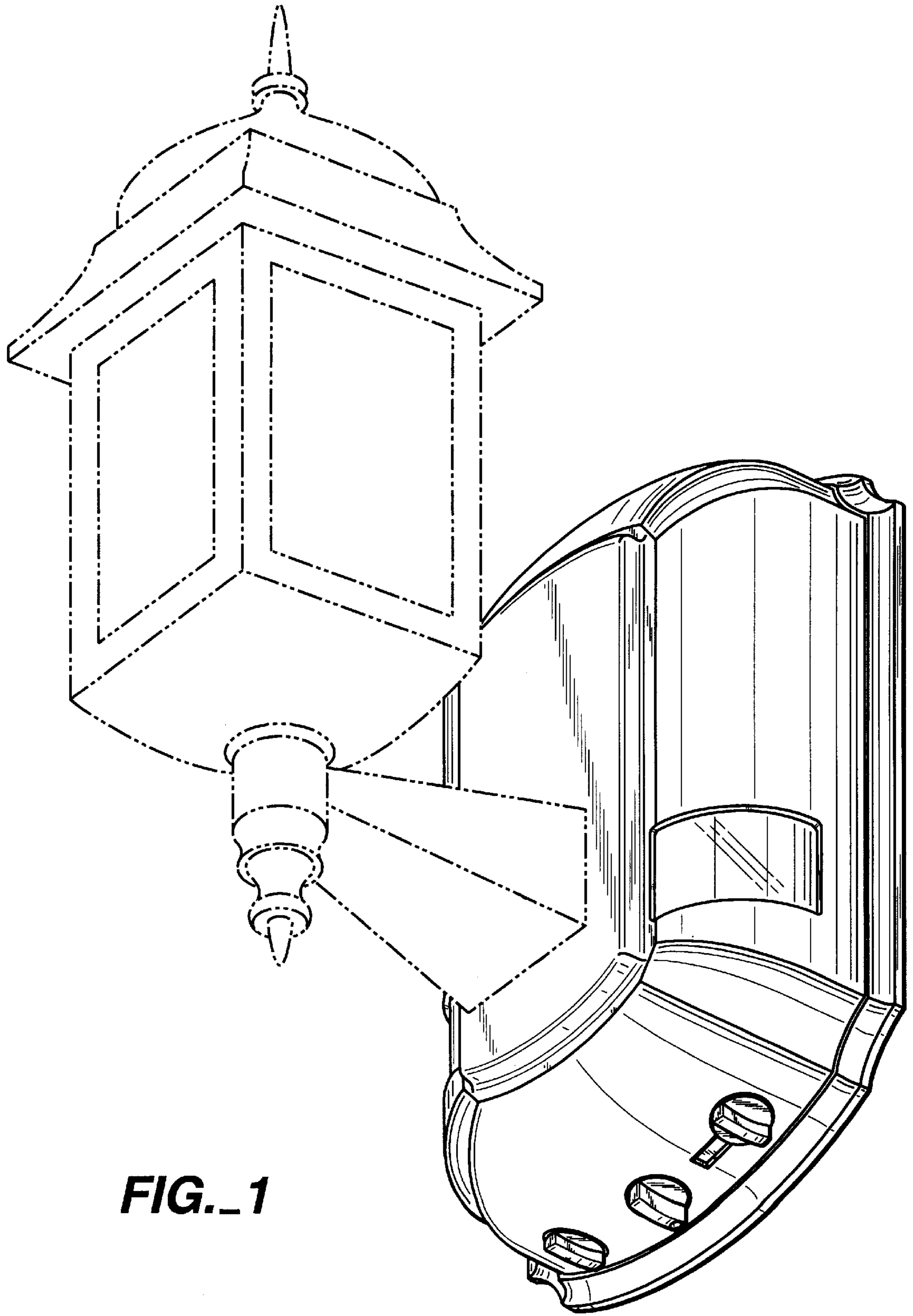


FIG. 1

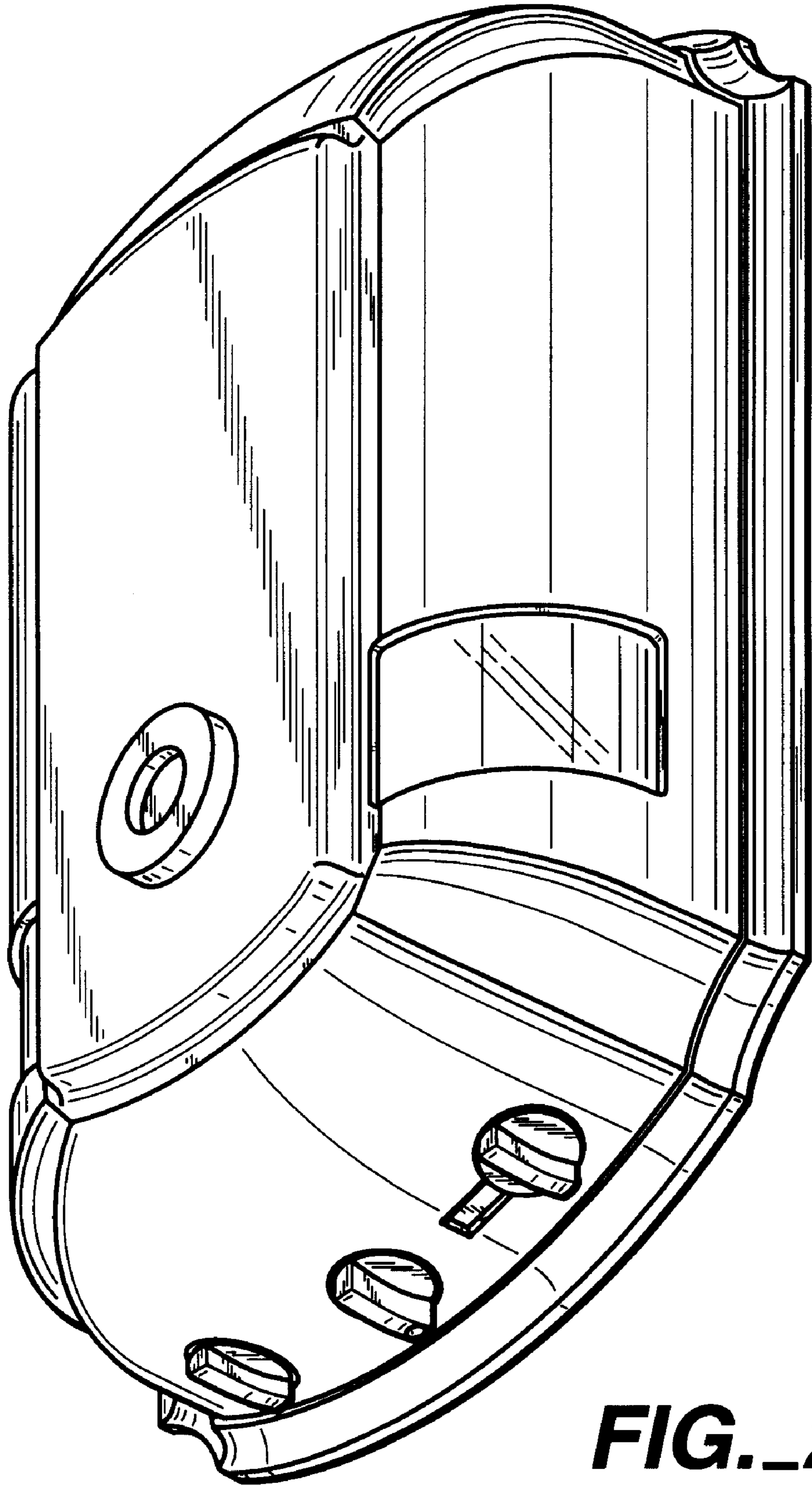


FIG. 2

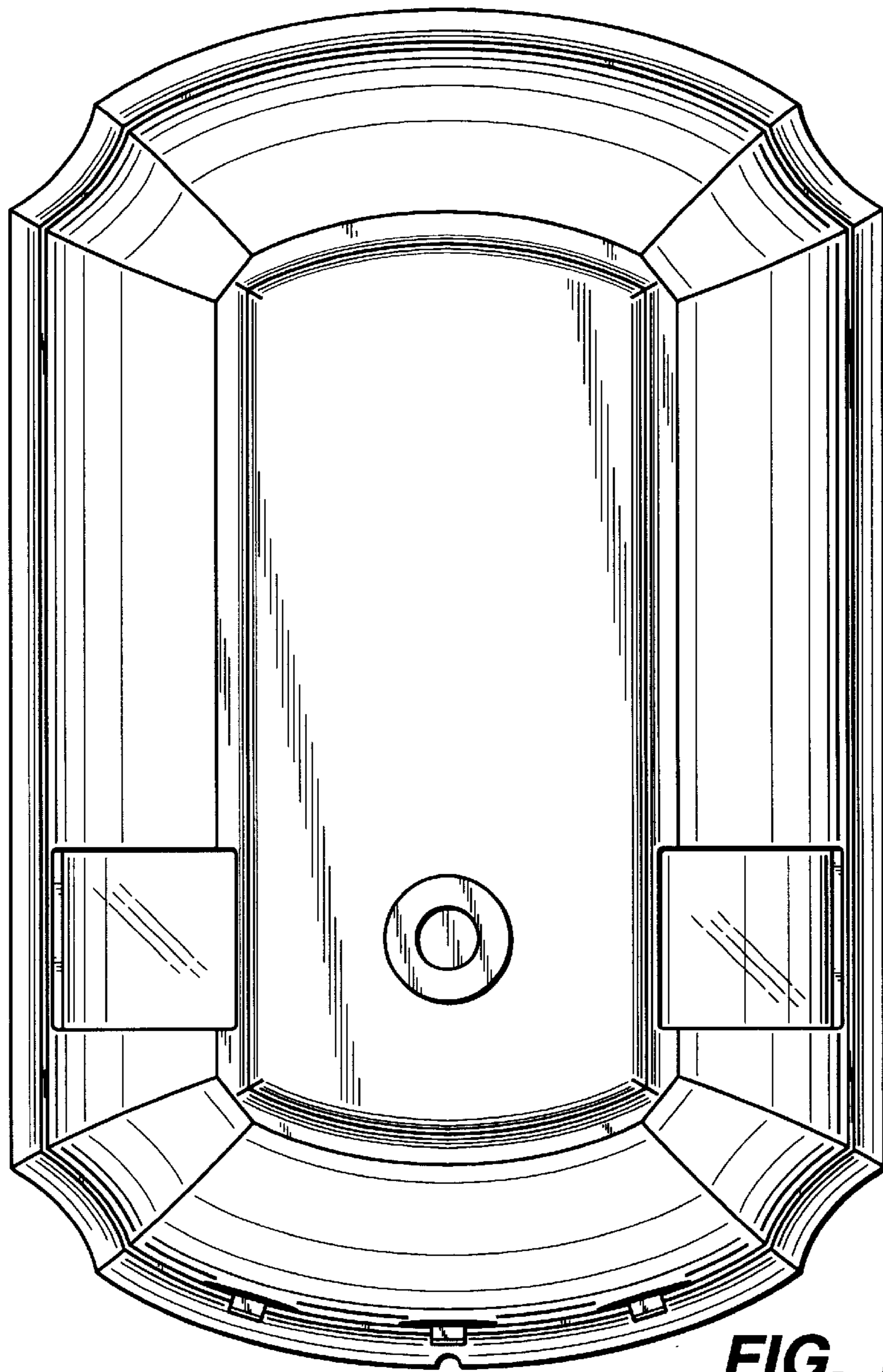


FIG._3

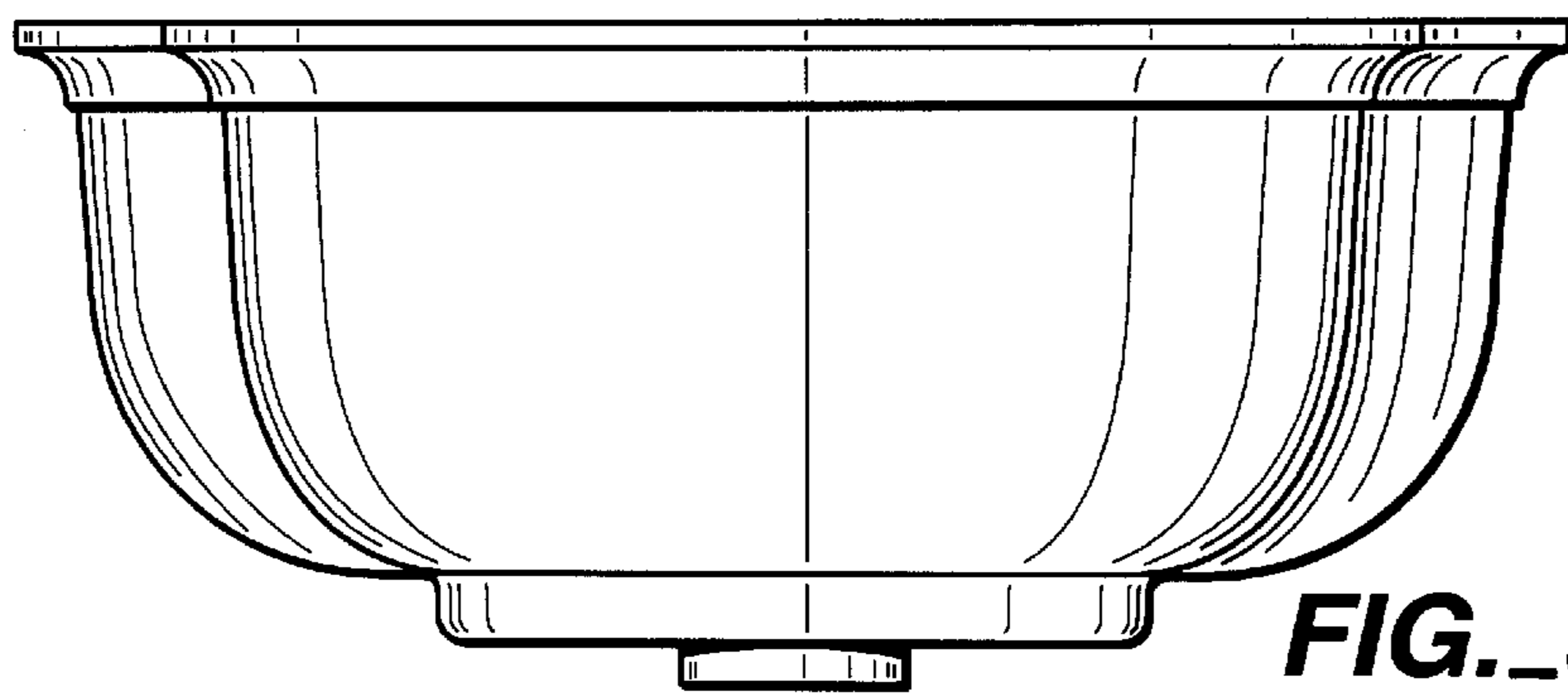


FIG._5



FIG._4

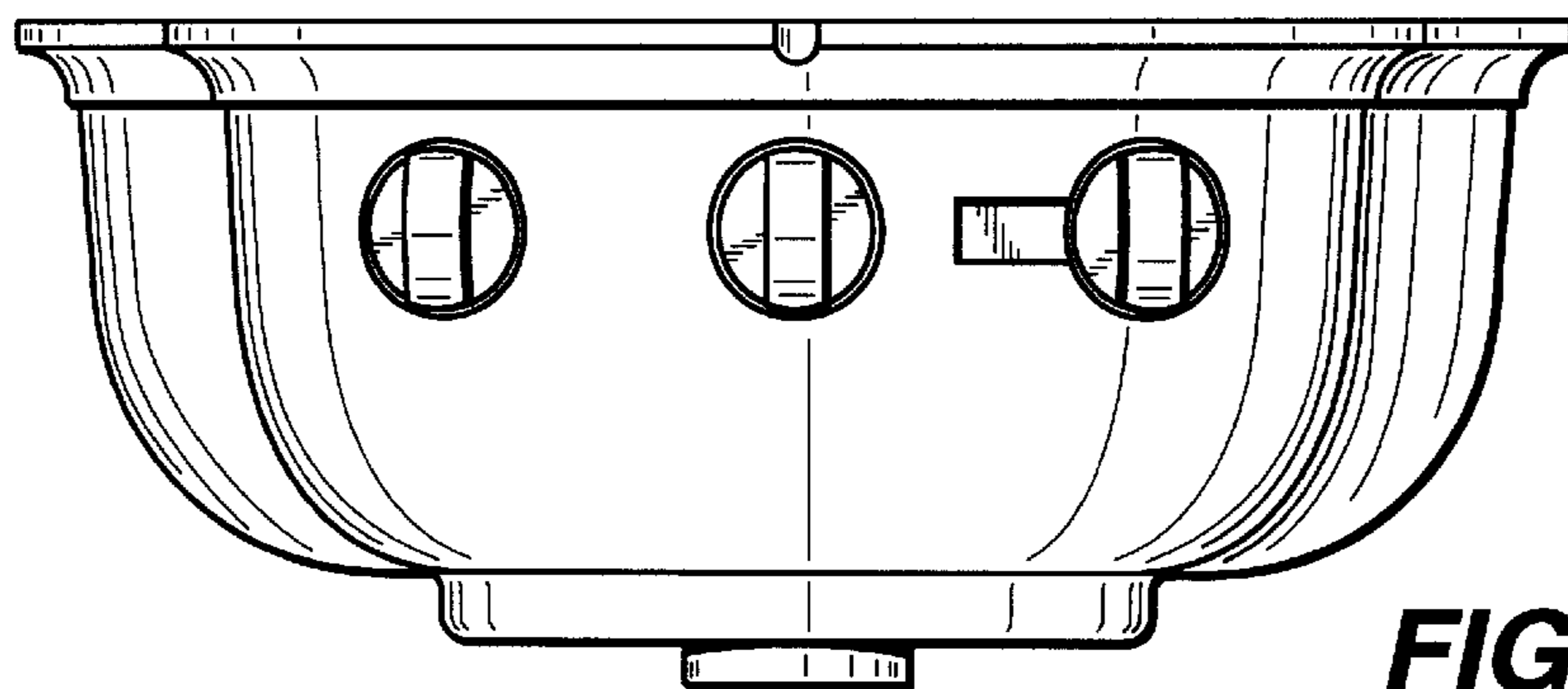


FIG._6