



US00D466426S

(12) **United States Design Patent**
Proulx et al.

(10) **Patent No.:** **US D466,426 S**

(45) **Date of Patent:** **** Dec. 3, 2002**

(54) **ELECTRONIC ARTICLE SURVEILLANCE TAG**

Primary Examiner—Antoine Duval Davis
(74) *Attorney, Agent, or Firm*—Rick F. Comoglio

(75) **Inventors:** **Andrew Proulx**, Lake Worth, FL (US);
Andrew Saghini, Boca Raton, FL (US)

(57) **CLAIM**

The ornamental design for an electronic article surveillance tag, as shown and described.

(73) **Assignee:** **Sensormatic Electronics Corporation**,
Boca Raton, FL (US)

(**) **Term:** **14 Years**

DESCRIPTION

(21) **Appl. No.:** **29/149,541**

FIG. 1 is a top perspective view showing the new design;

(22) **Filed:** **Oct. 9, 2001**

FIG. 2 is a bottom perspective view thereof;

(51) **LOC (7) Cl.** **10-05**

FIG. 3 is a right side elevational view thereof, the left side being a mirror image thereof;

(52) **U.S. Cl.** **D10/104**

FIG. 4 is a top plan view thereof;

(58) **Field of Search** D10/104; 340/572.8,
340/572.9, 572.1, 568.1, 825.54

FIG. 5 is a bottom plan view thereof;

(56) **References Cited**

FIG. 6 is a front elevational view thereof; and,

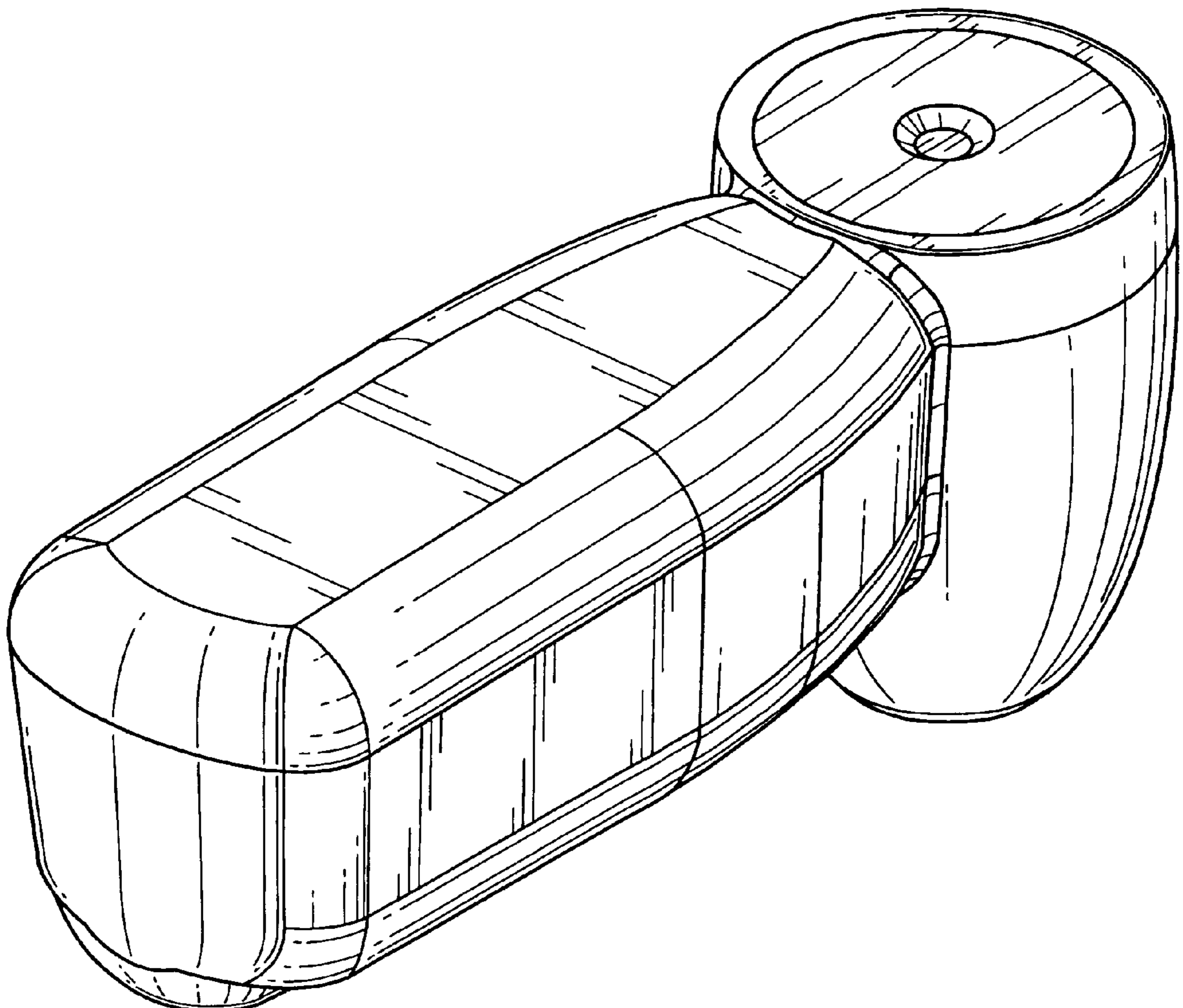
FIG. 7 is a rear elevational view thereof.

U.S. PATENT DOCUMENTS

D427,929 S * 7/2000 Sayegh D10/104

* cited by examiner

1 Claim, 7 Drawing Sheets



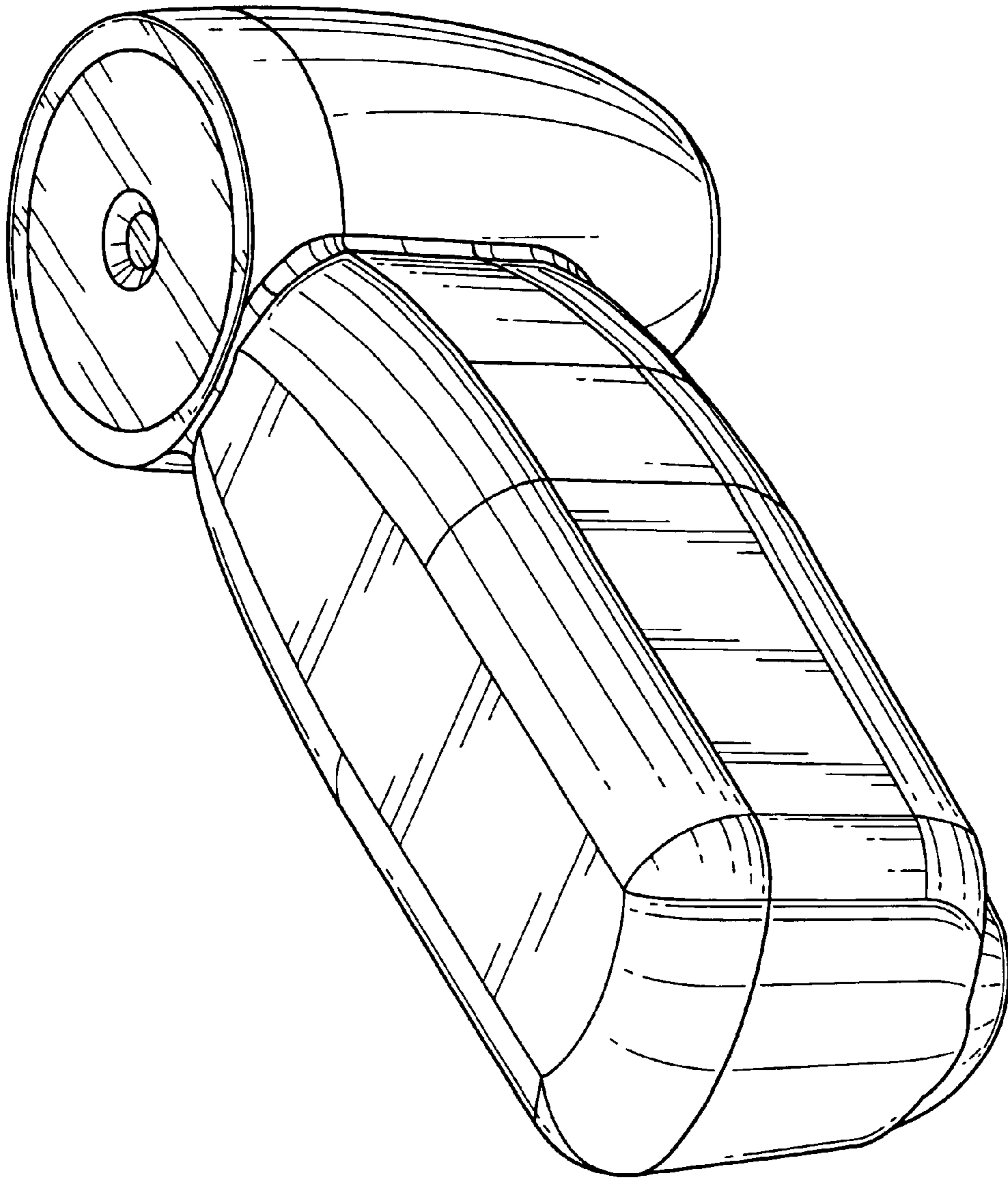


FIG. 1

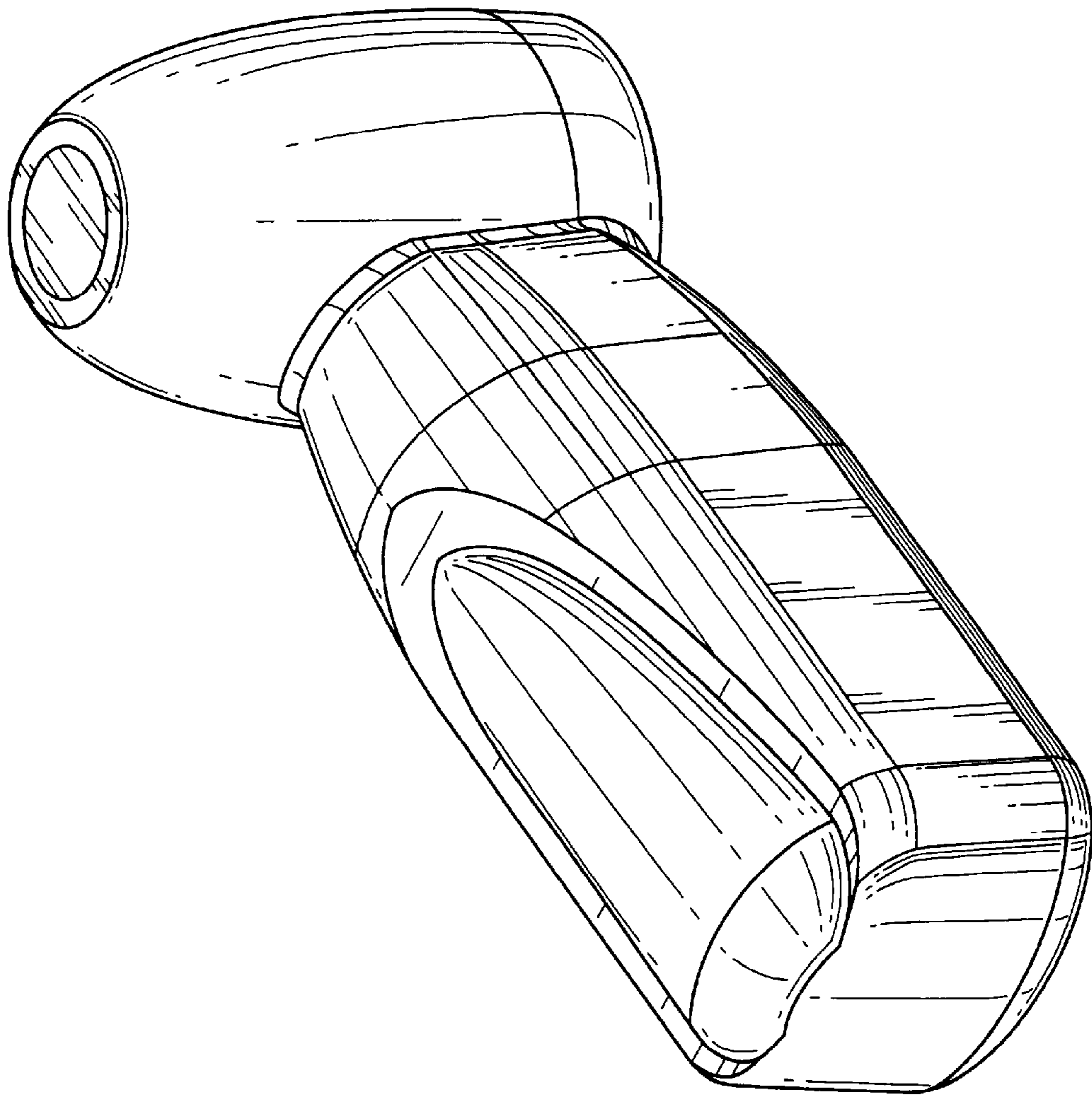


FIG. 2

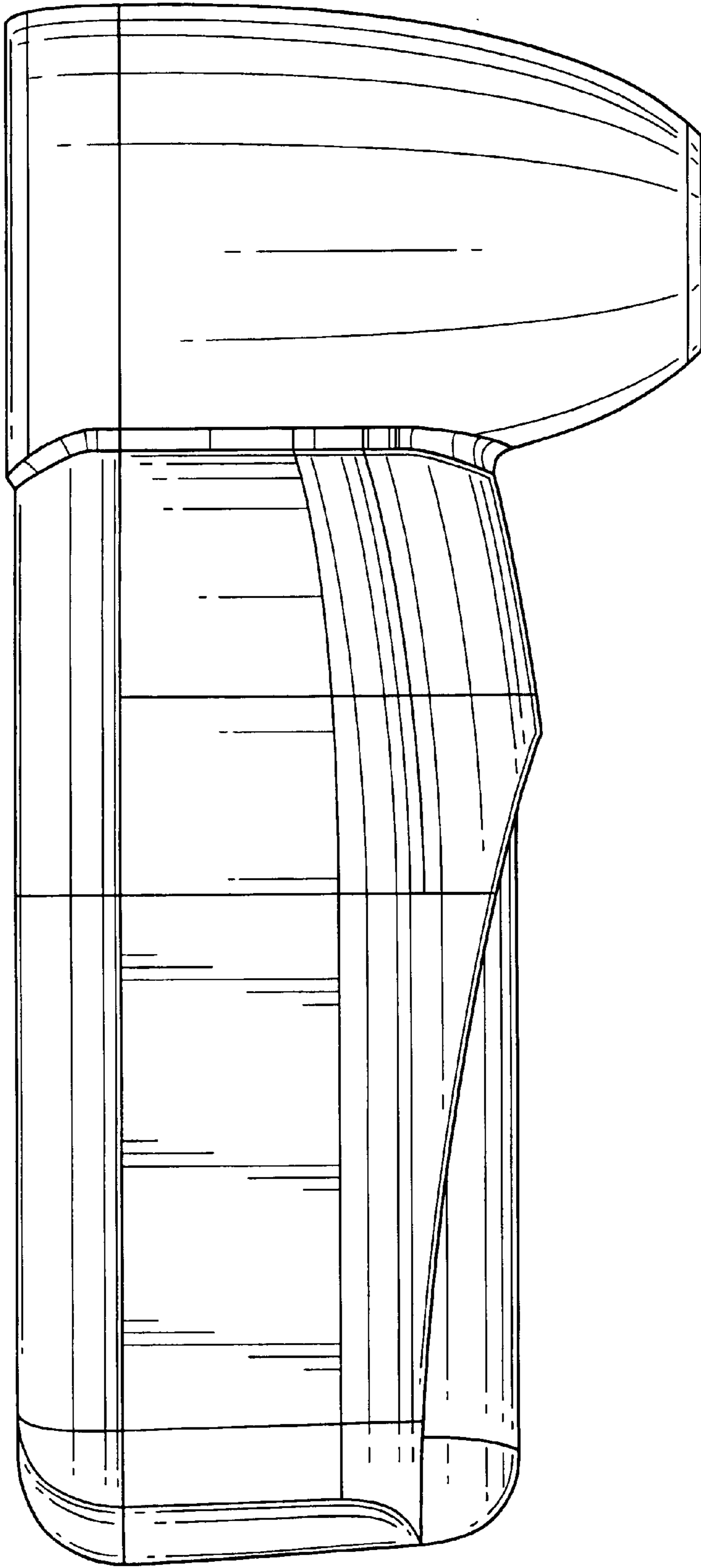


FIG. 3

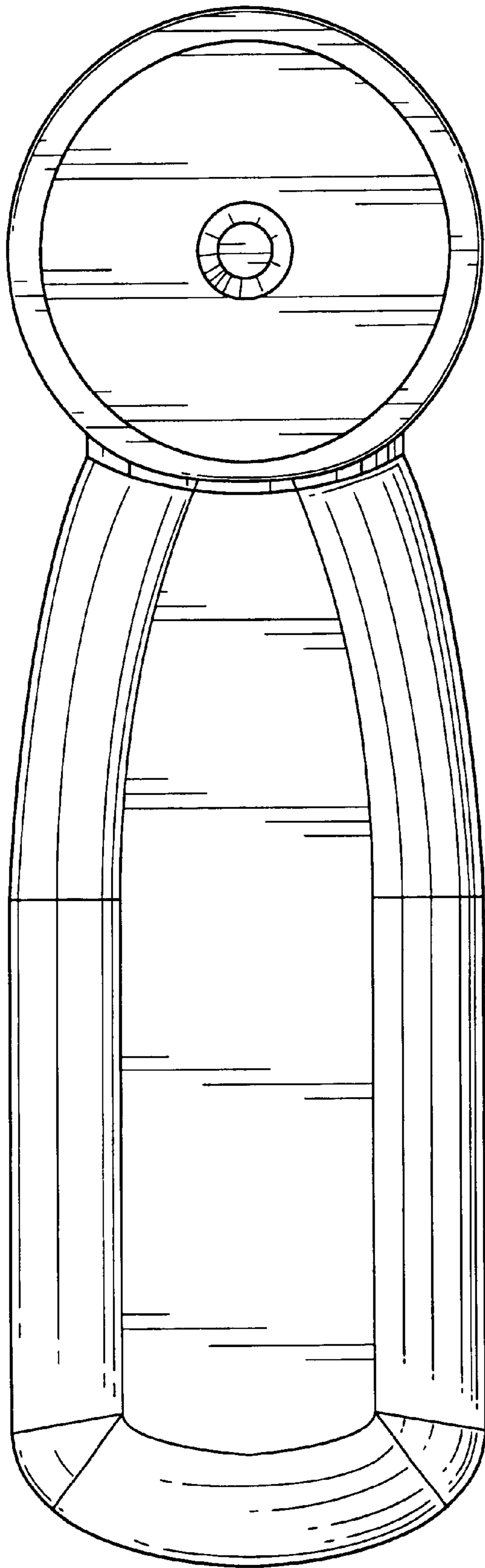


FIG. 4

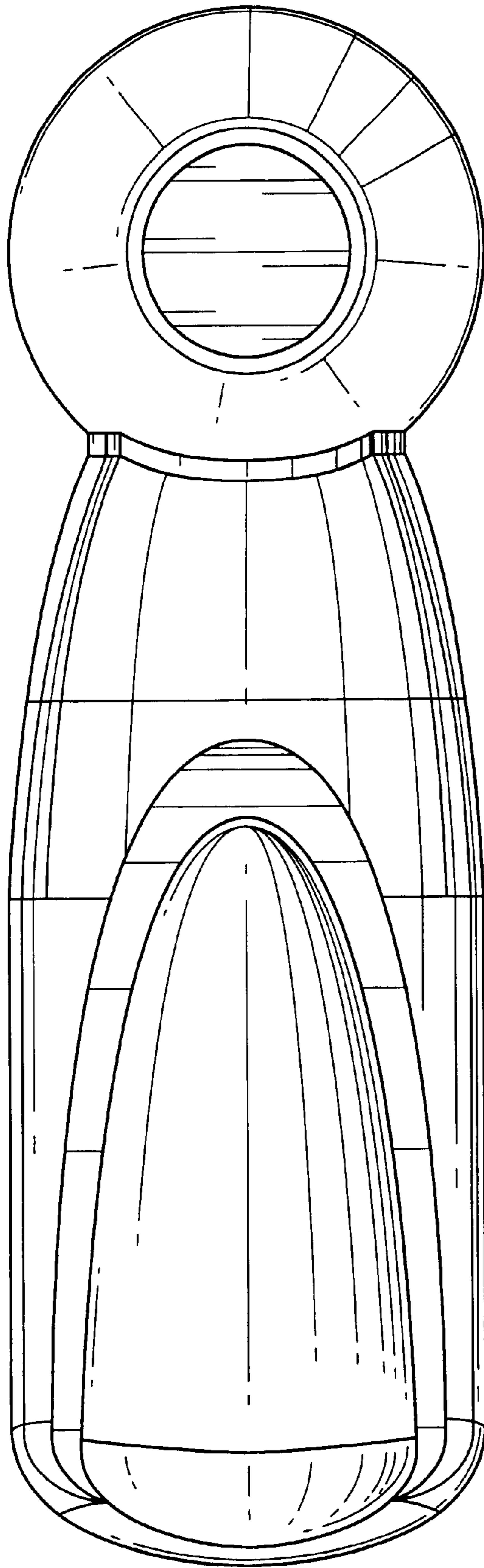


FIG. 5

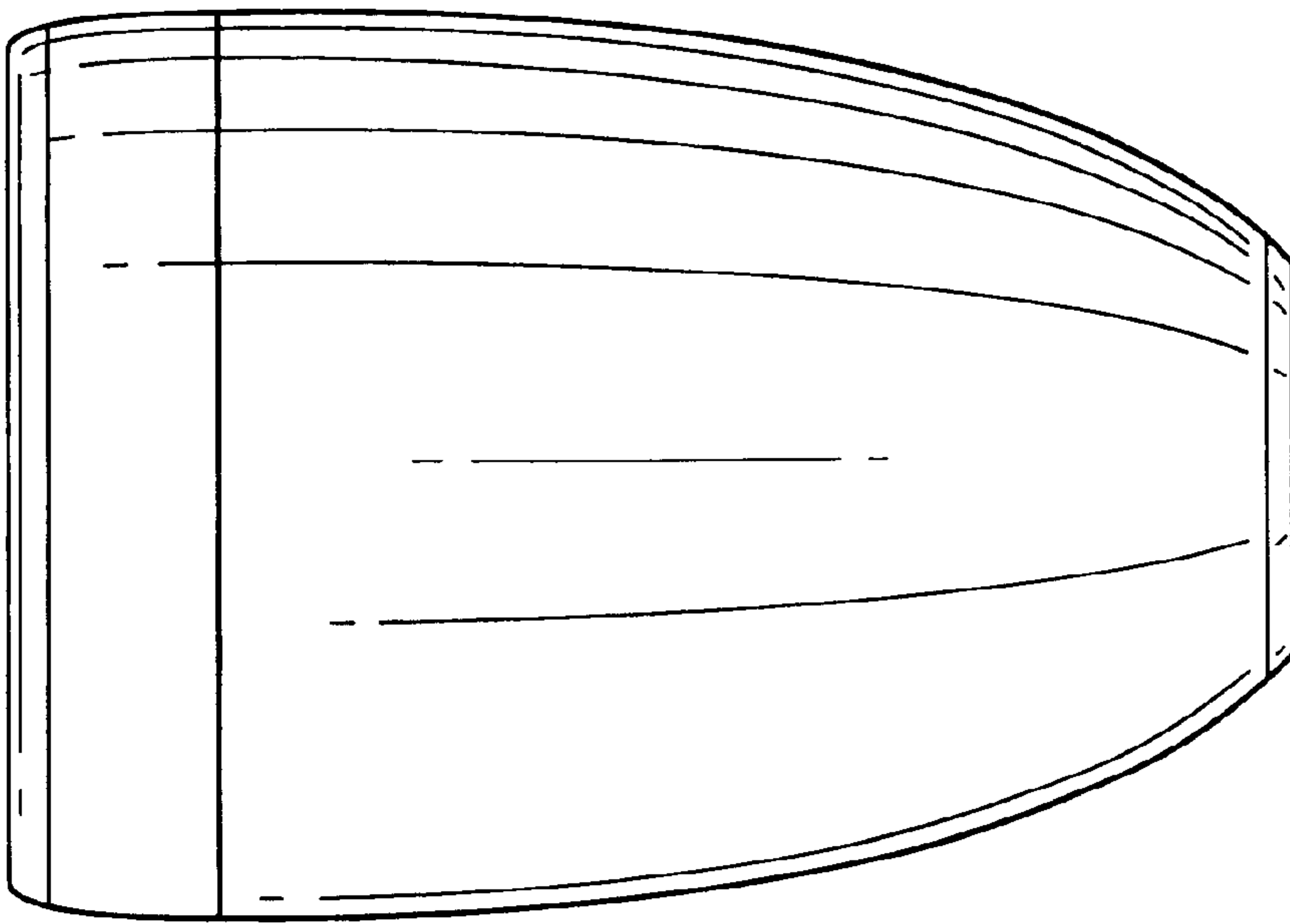


FIG. 6

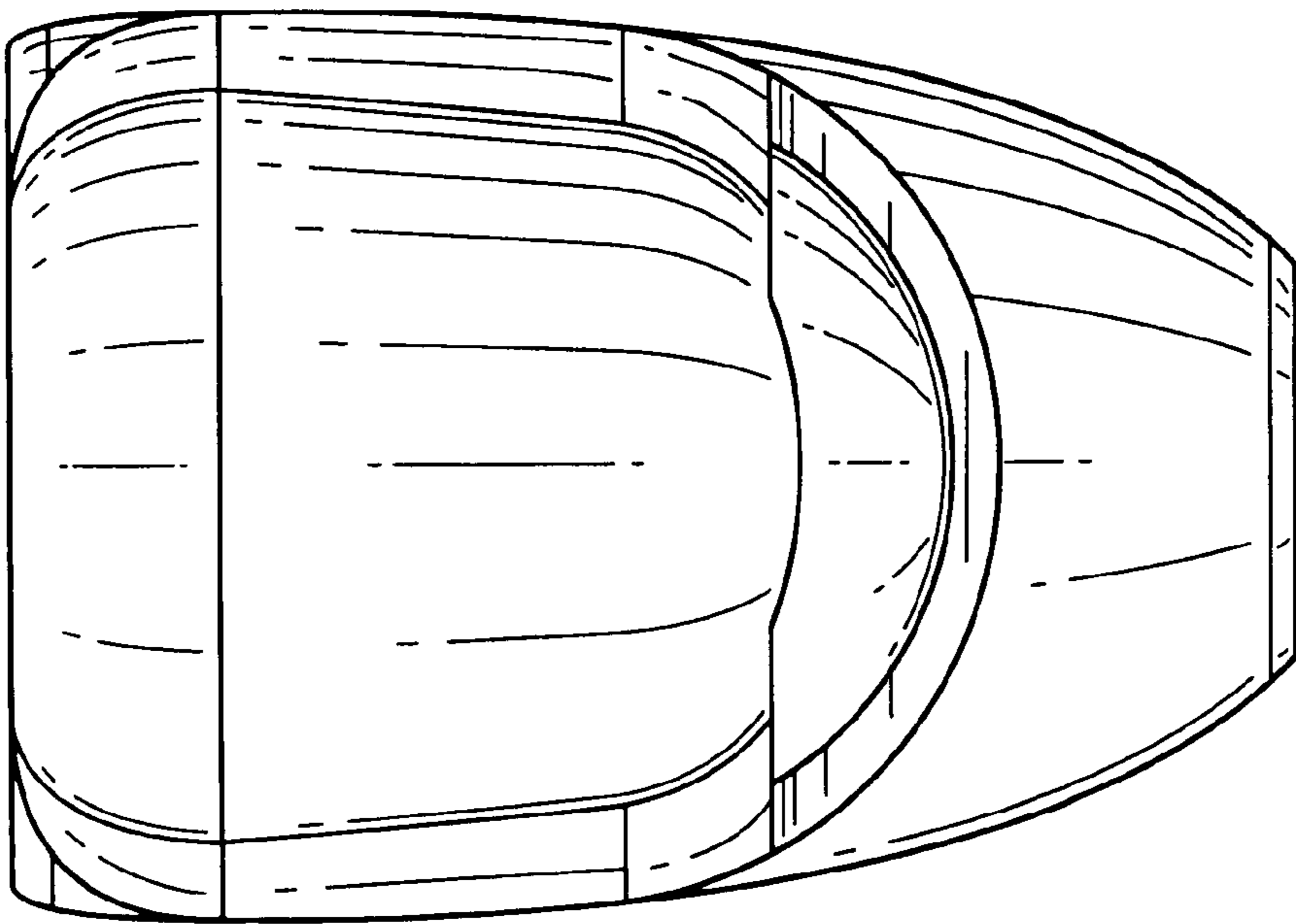


FIG. 7