



US00D466425S

(12) **United States Design Patent**
Bowlds

(10) **Patent No.:** **US D466,425 S**

(45) **Date of Patent:** **** Dec. 3, 2002**

(54) **TRANSCEIVER ASSEMBLY**

(75) Inventor: **Daniel P. Bowlds**, Hawesville, KY
(US)

(73) Assignee: **MPH Industries, Inc.**, Owensboro, KY
(US)

(**) Term: **14 Years**

(21) Appl. No.: **29/153,156**

(22) Filed: **Nov. 9, 2001**

(51) **LOC (7) Cl.** **10-04**

(52) **U.S. Cl.** **D10/98**

(58) **Field of Search** D10/98; 342/104,
342/66, 33 D; 701/119, 143, 142; 340/936,
937

5,565,871 A	10/1996	Aker et al.	
5,570,093 A	10/1996	Aker et al.	
5,691,724 A	11/1997	Aker et al.	
5,777,575 A	7/1998	Shelton et al.	
5,912,822 A *	6/1999	Davis et al.	340/936 X
5,917,430 A	6/1999	Greneker, III et al.	
5,935,190 A *	8/1999	Davis et al.	342/66 X
6,008,750 A	12/1999	Cottle et al.	
6,198,427 B1	3/2001	Aker et al.	

* cited by examiner

Primary Examiner—Antoine Duval Davis

(74) *Attorney, Agent, or Firm*—King & Schickli, PLLC

(57) **CLAIM**

The ornamental design of a transceiver assembly, as shown and described.

DESCRIPTION

FIG. 1 is a perspective view of the transceiver assembly of the present invention;

FIG. 2 is a front elevational view thereof;

FIG. 3 is a right side elevational view, the left side elevational view, top plan view, and bottom plan view being mirror images thereof; and,

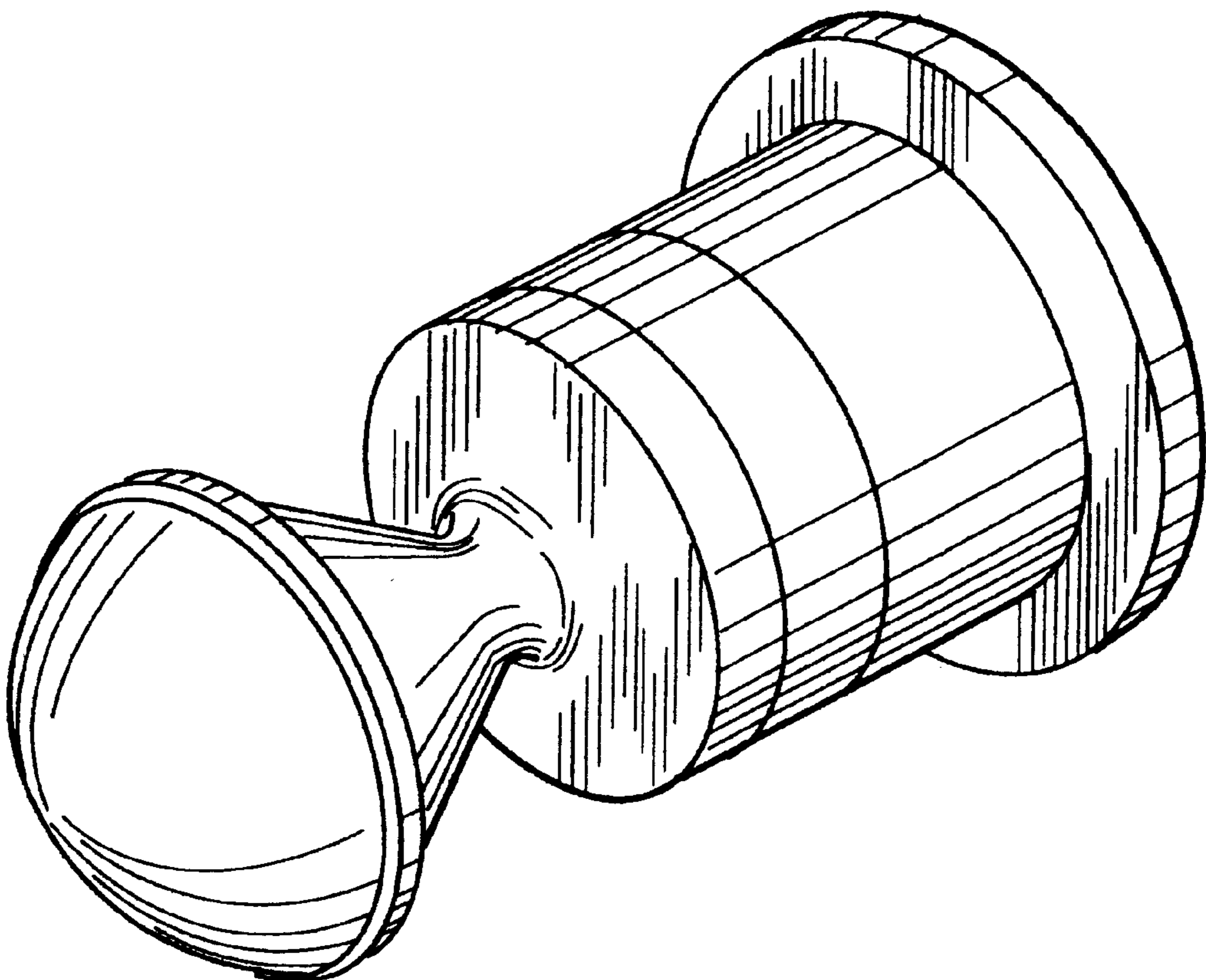
FIG. 4 is a rear elevational view thereof.

1 Claim, 2 Drawing Sheets

(56) **References Cited**

U.S. PATENT DOCUMENTS

4,184,156 A	1/1980	Aker et al.
4,293,859 A	10/1981	Sergent
4,743,908 A	5/1988	Brassfield et al.
5,525,996 A	6/1996	Aker et al.
5,528,245 A	6/1996	Aker et al.
5,557,281 A	9/1996	O'Conner
5,563,603 A	10/1996	Aker et al.



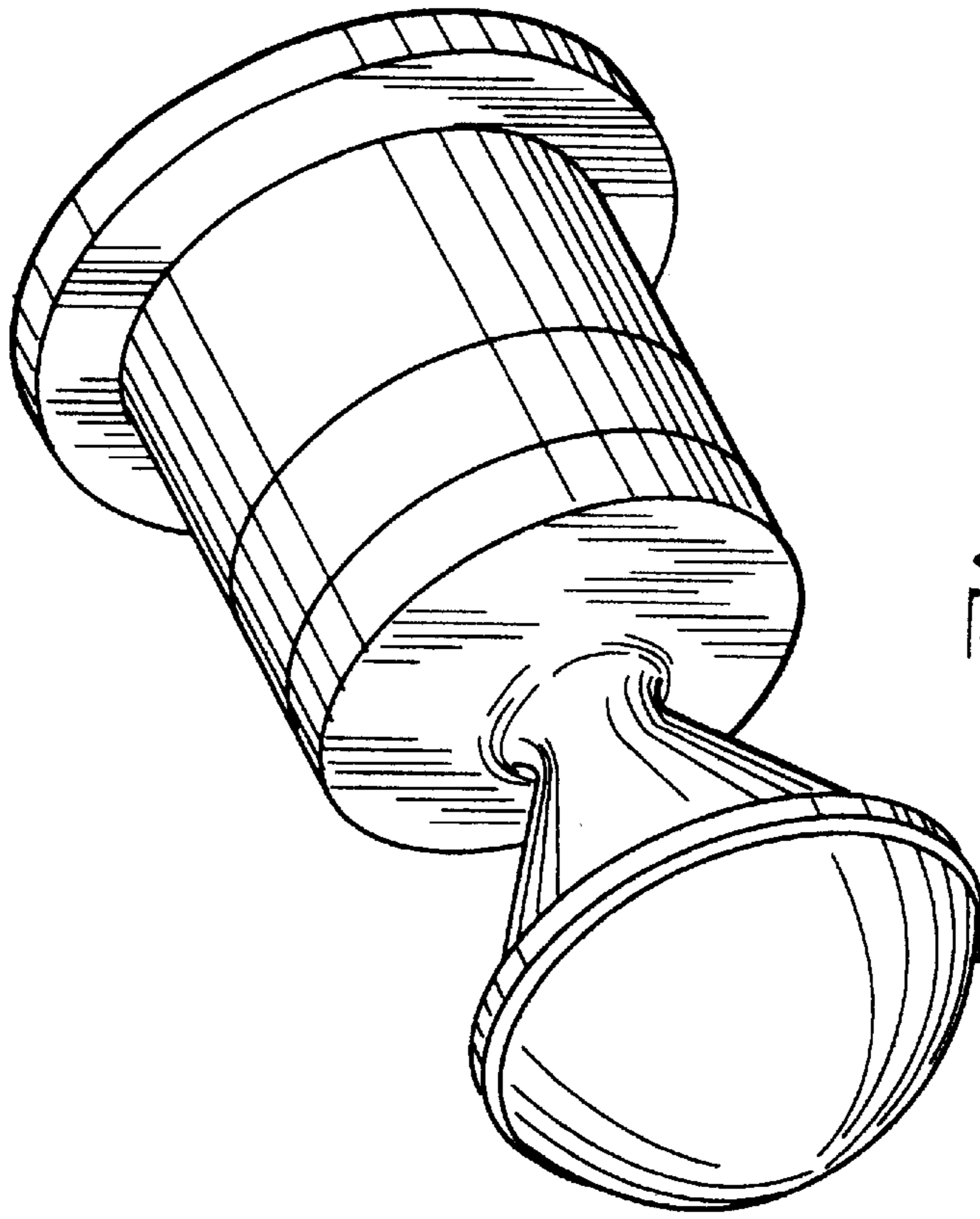


Fig. 1

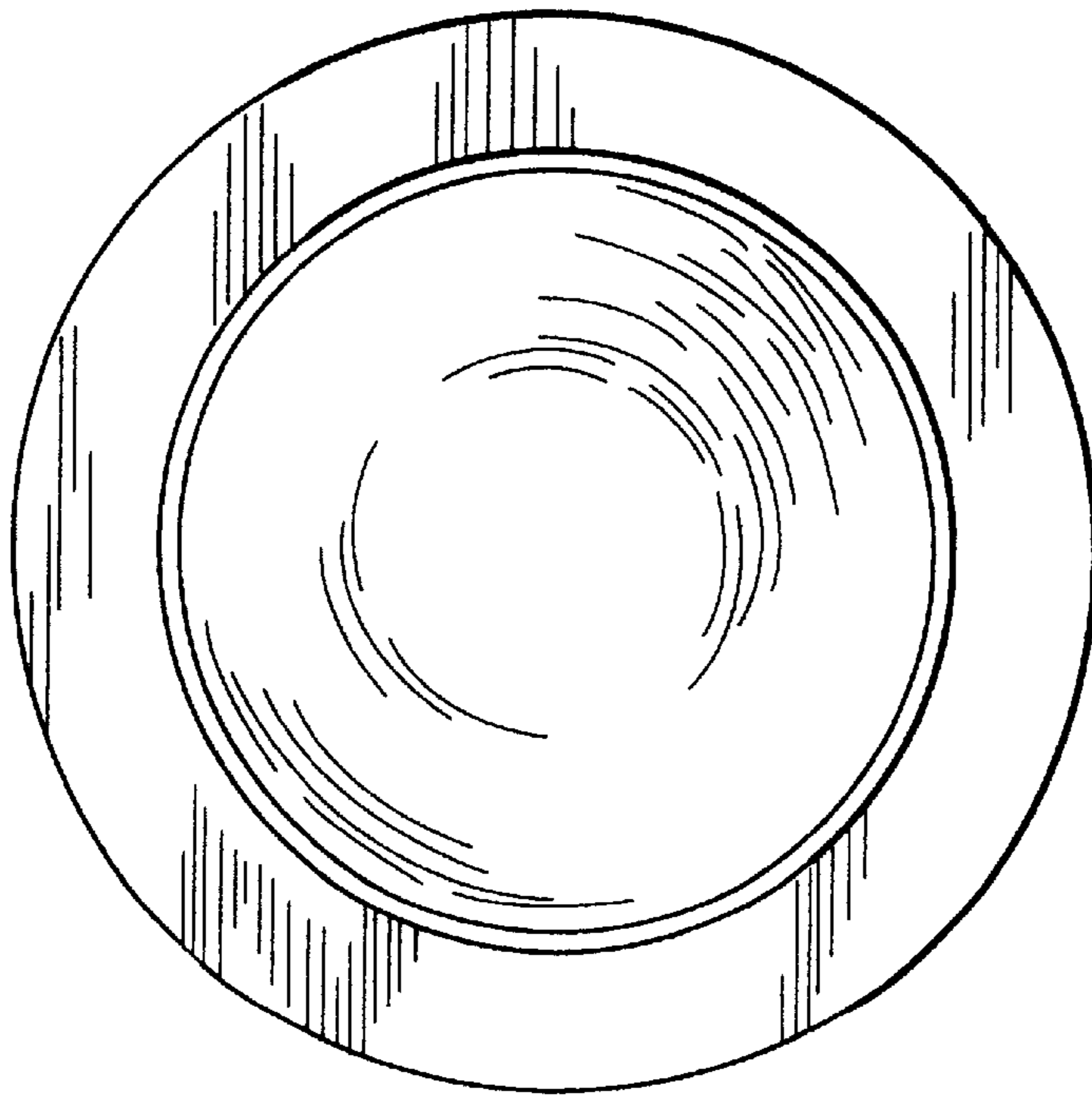


Fig. 3

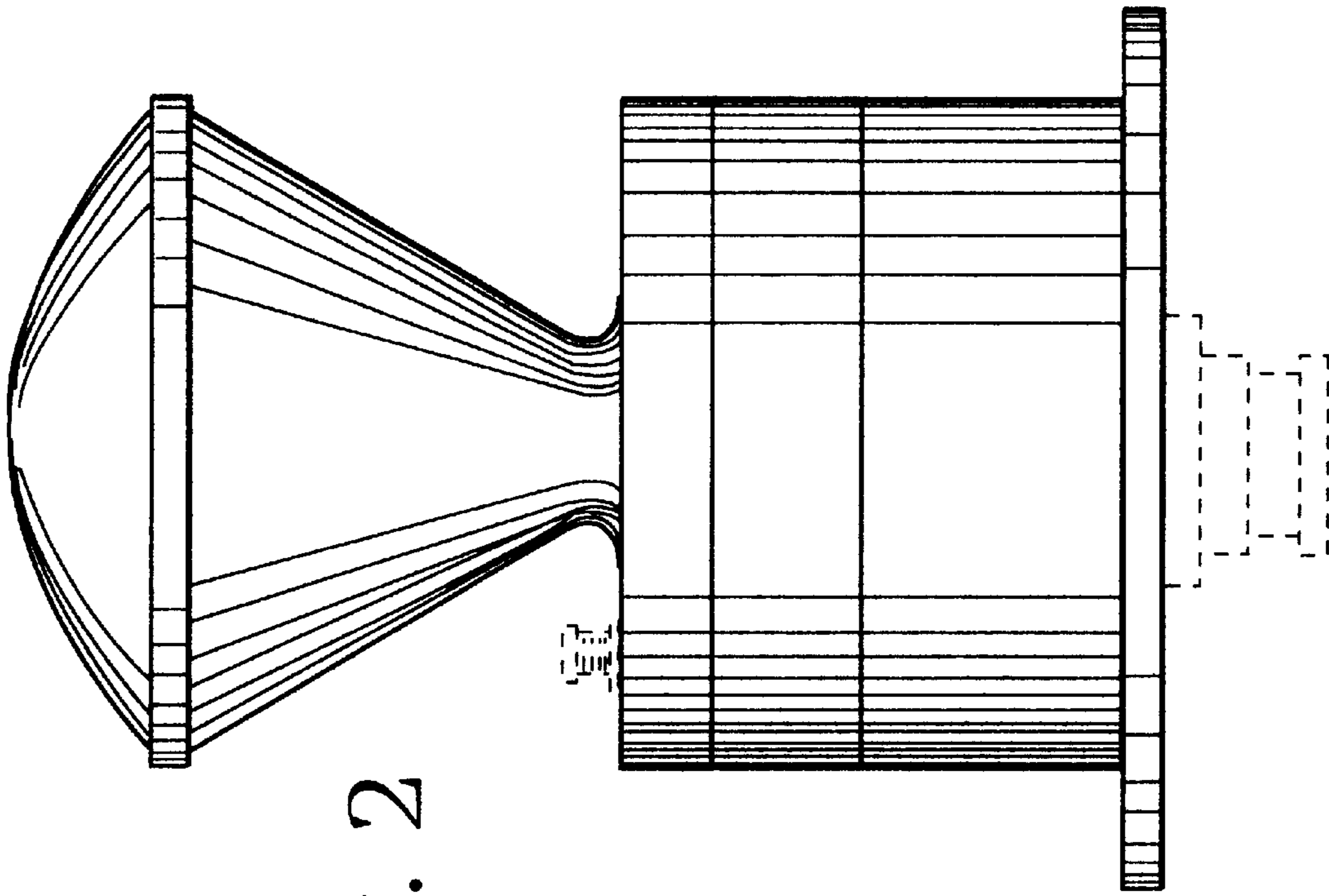


Fig. 2

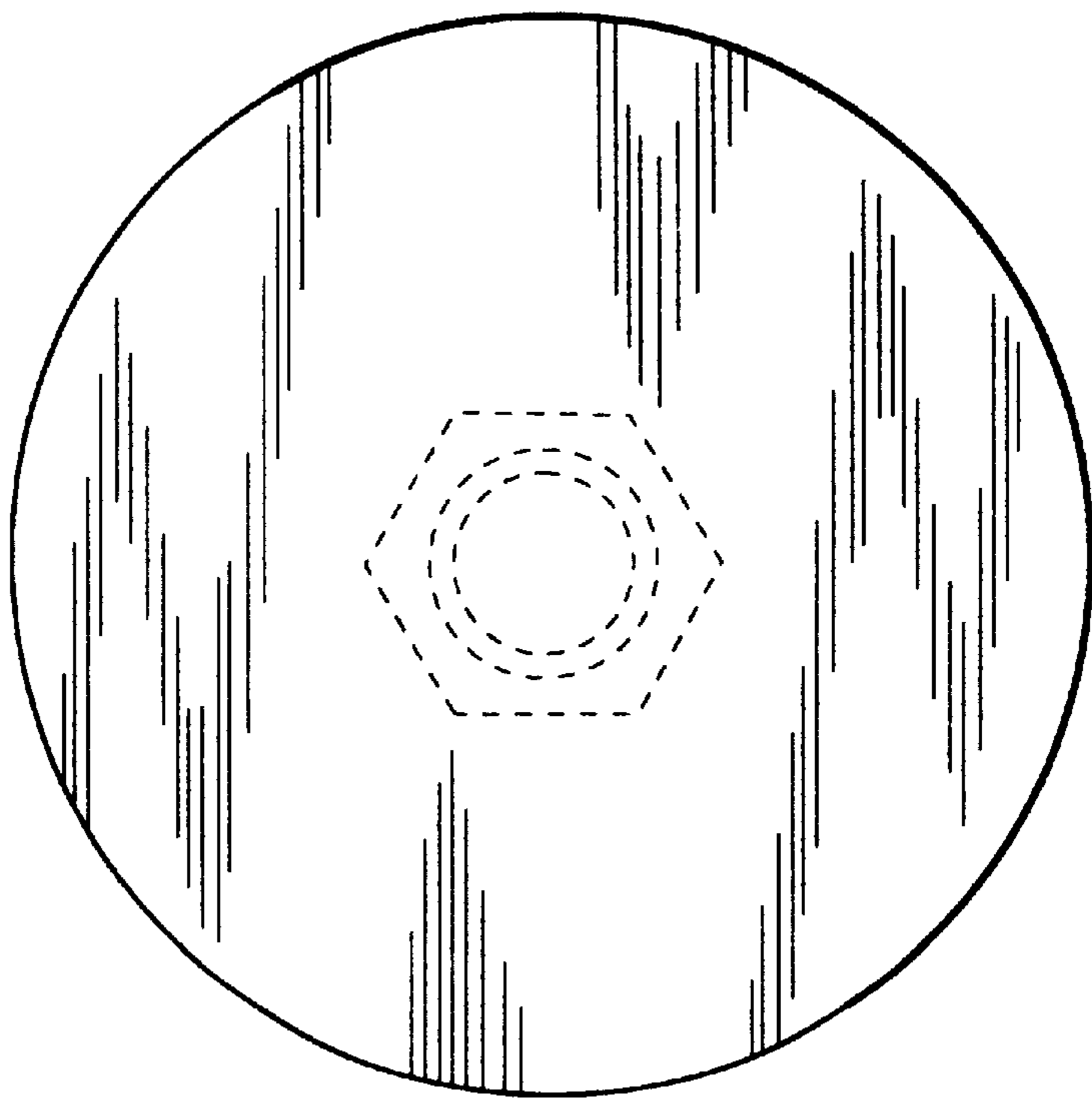


Fig. 4