



US00D466423S

(12) **United States Design Patent**  
**Kram**

(10) **Patent No.:** **US D466,423 S**

(45) **Date of Patent:** **\*\* Dec. 3, 2002**

(54) **OPEN REEL MEASURING TAPE**

D423,380 S \* 4/2000 Kram ..... D10/72  
6,357,133 B1 \* 3/2002 Hsu ..... 242/395 X

(75) Inventor: **Robert J. Kram**, Muskego, WI (US)

\* cited by examiner

(73) Assignee: **Empire Level Mfg. Co.**, Milwaukee, WI (US)

*Primary Examiner*—Antoine Duval Davis  
(74) *Attorney, Agent, or Firm*—jansson, Shupe & Munger, Ltd

(\*\*) Term: **14 Years**

(21) Appl. No.: **29/150,387**

(57) **CLAIM**

(22) Filed: **Nov. 21, 2001**

The ornamental design for an open reel measuring tape, as shown.

(51) **LOC (7) Cl.** ..... **10-04**

**DESCRIPTION**

(52) **U.S. Cl.** ..... **D10/72**

(58) **Field of Search** ..... D10/72; 33/755-769;  
242/385.1, 390.1, 396.2, 396.7, 397.3, 385.4,  
388.9, 395, 395.1, 405-405.3, 406

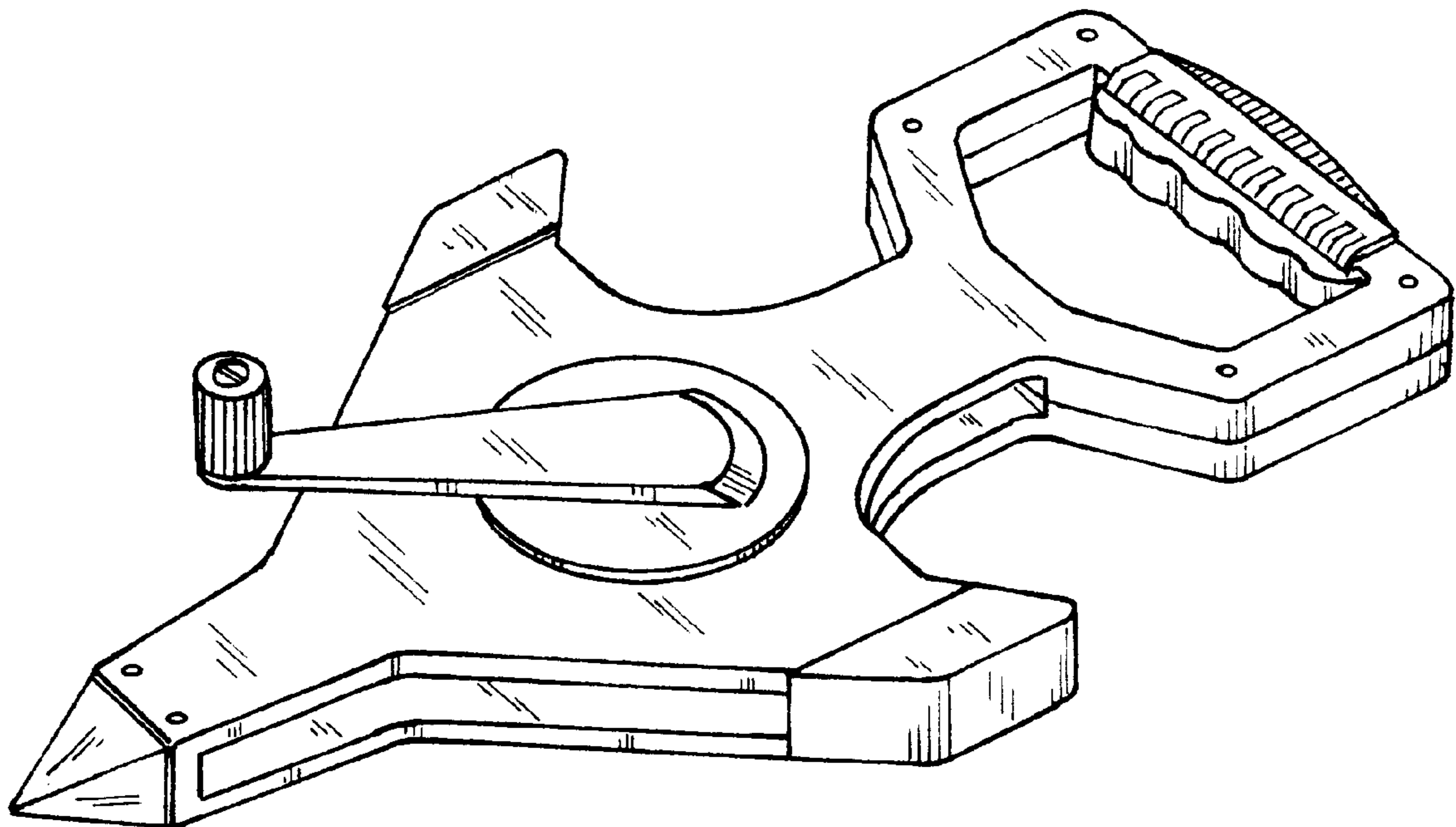
FIG. 1 is a perspective view.  
FIG. 2 is a front elevation.  
FIG. 3 is a rear elevation.  
FIG. 4 is a left side elevation.  
FIG. 5 is a right side elevation.  
FIG. 6 is a top view; and,  
FIG. 7 is a bottom view.

(56) **References Cited**

**U.S. PATENT DOCUMENTS**

D310,043 S \* 8/1990 Kang ..... D10/72  
D365,769 S \* 1/1996 Kang ..... D10/72

**1 Claim, 2 Drawing Sheets**



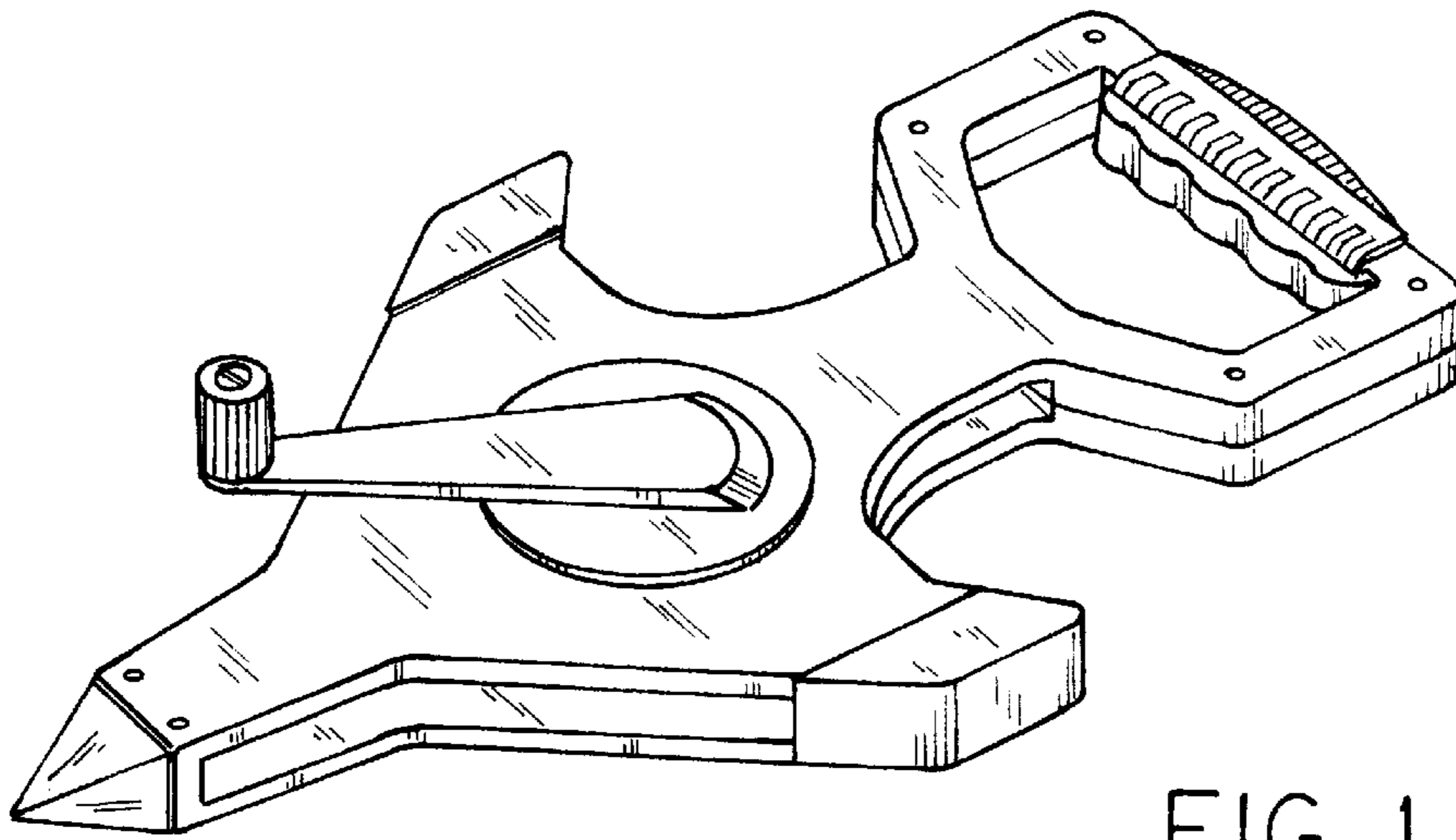


FIG. 1

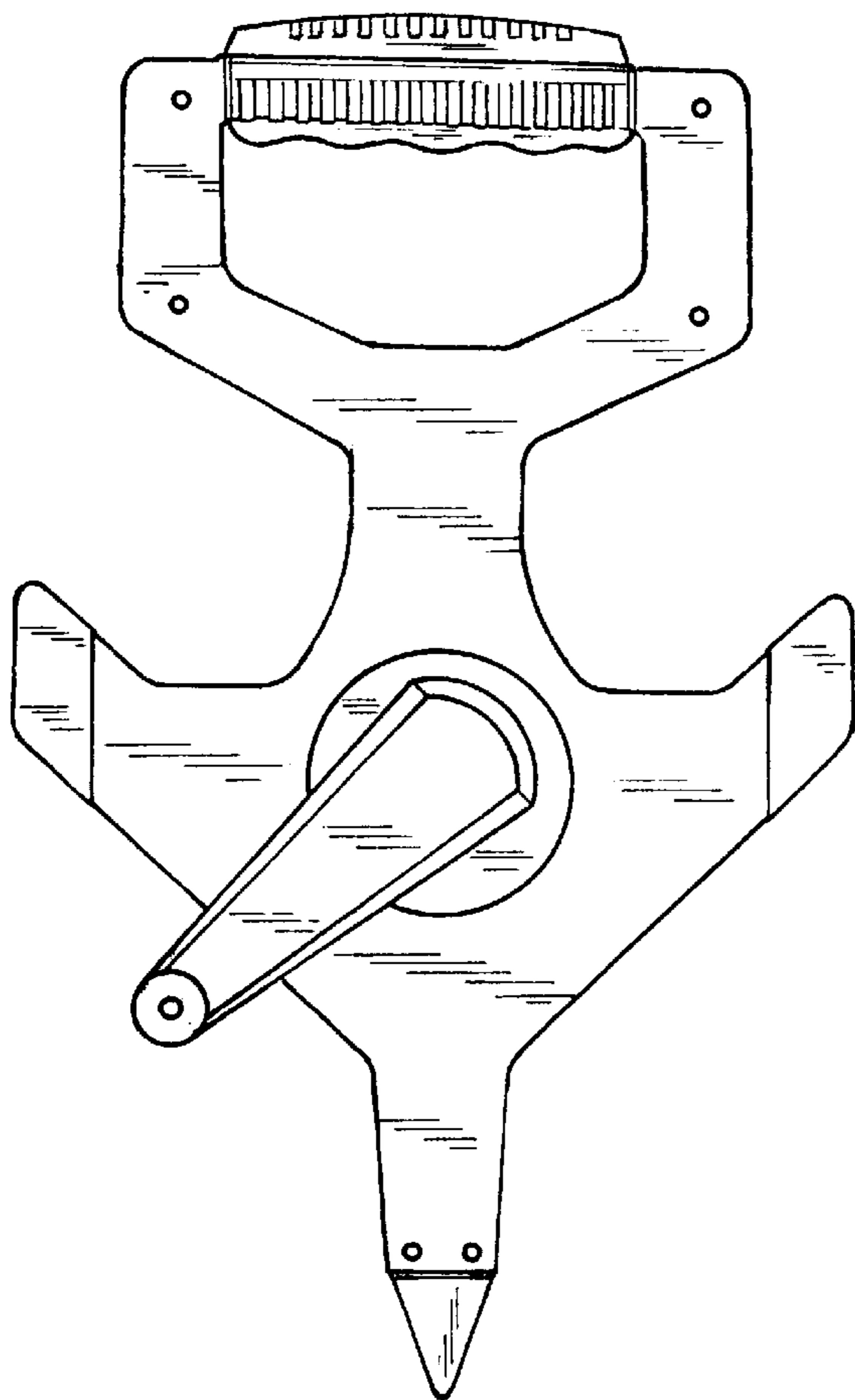


FIG. 2

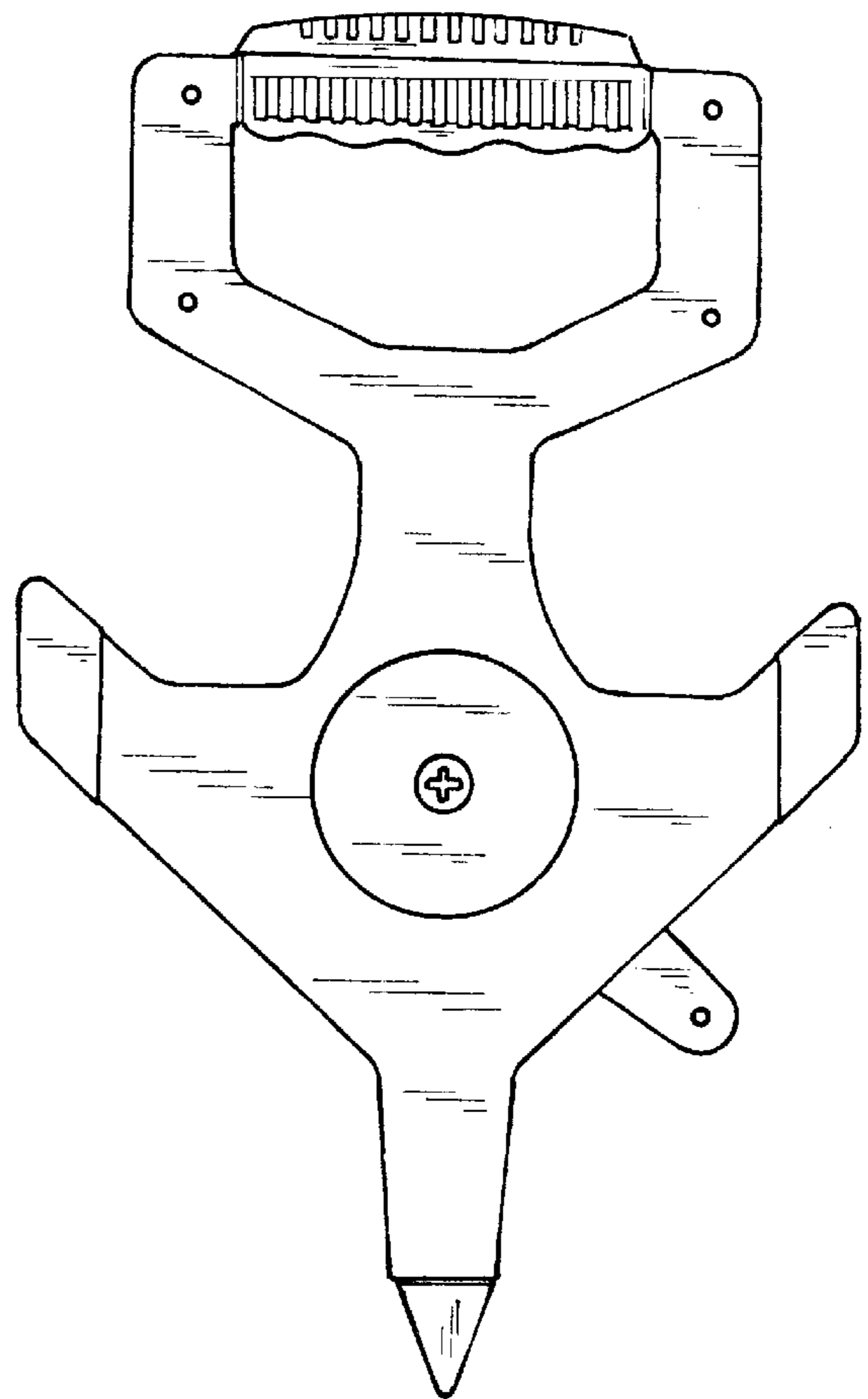


FIG. 3

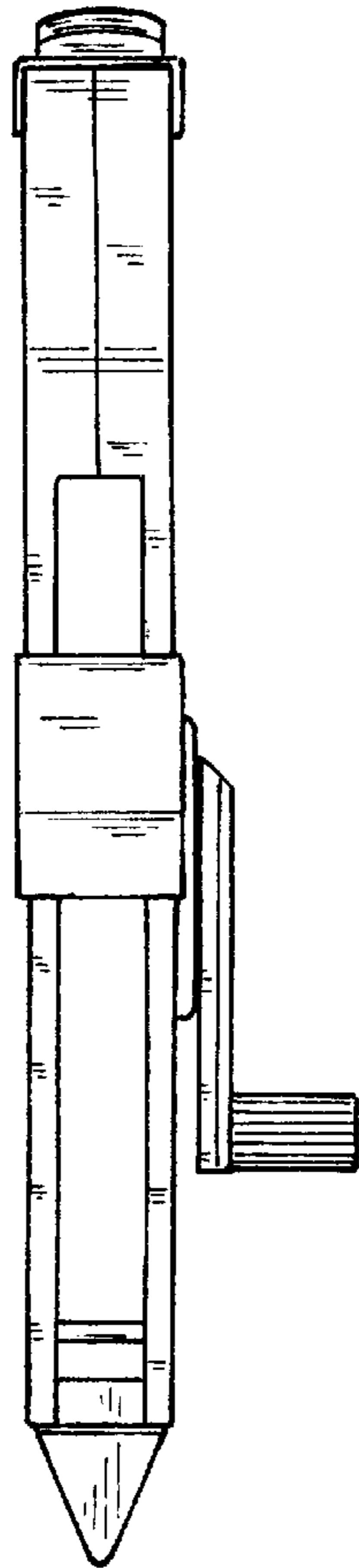


FIG. 4

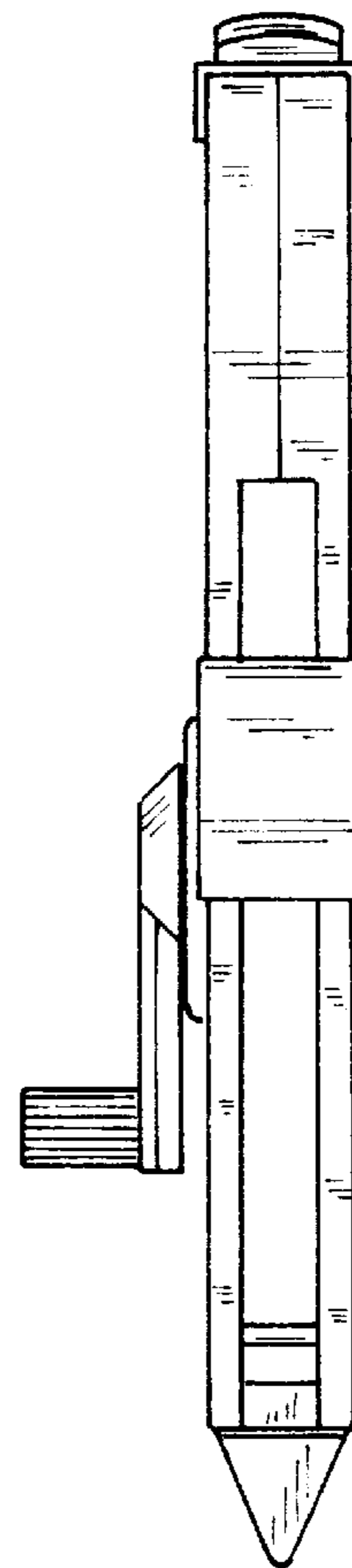


FIG. 5

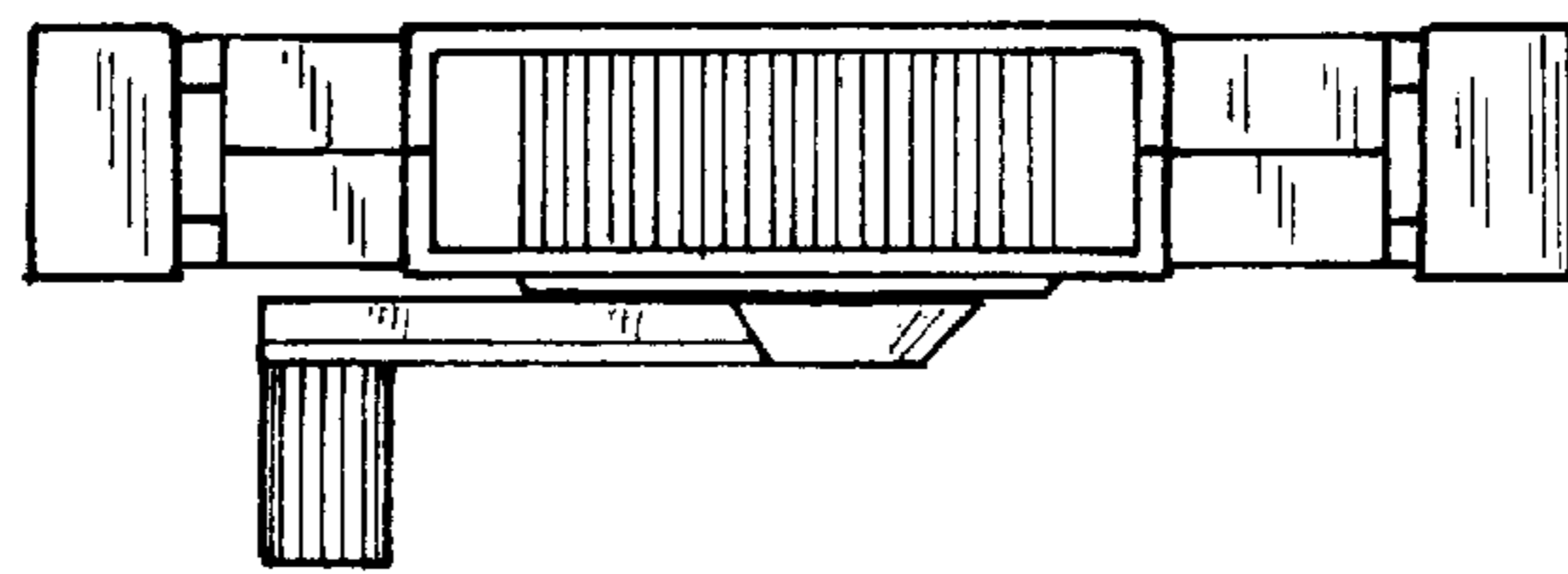


FIG. 6

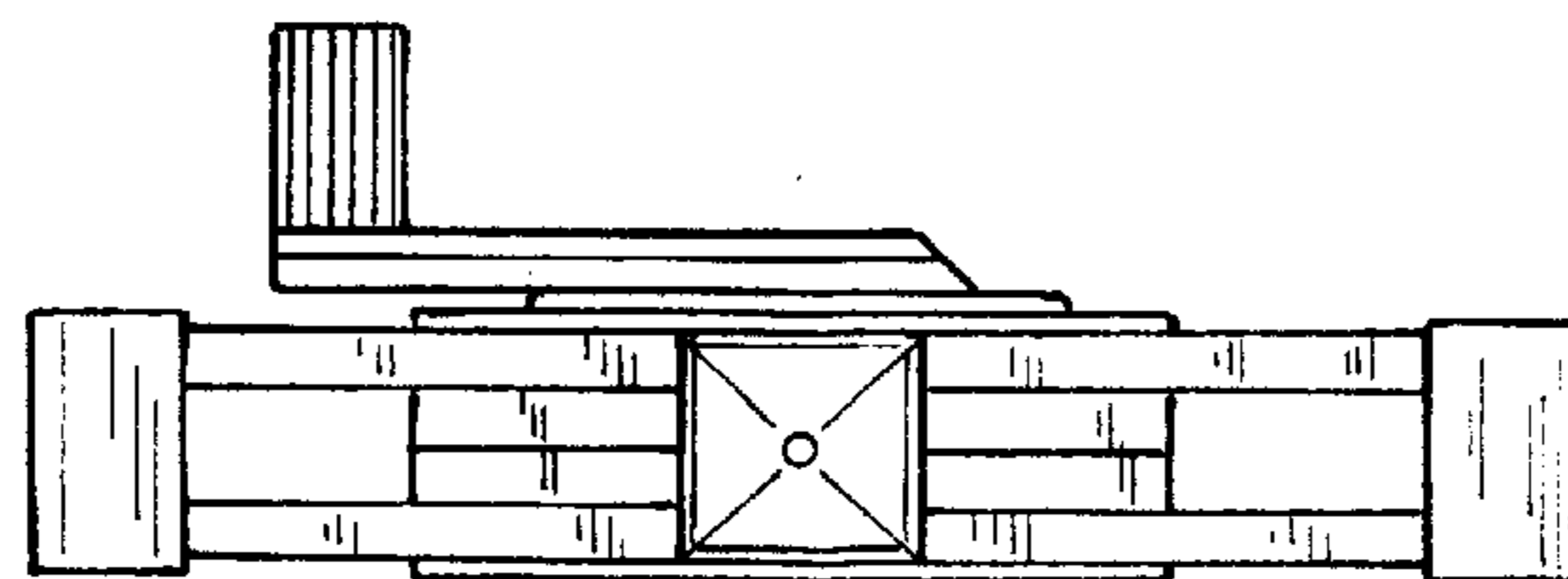


FIG. 7