



US00D466421S

(12) **United States Design Patent**
Leveridge

(10) **Patent No.: US D466,421 S**

(45) **Date of Patent: ** Dec. 3, 2002**

(54) **ELECTRICAL EQUIPMENT HOUSING**

(75) Inventor: **Philip Leveridge**, Austin, TX (US)

(73) Assignee: **Honeywell International Inc.**,
Morristown, NJ (US)

(**) Term: **14 Years**

(21) Appl. No.: **29/080,671**

(22) Filed: **Nov. 12, 1997**

Related U.S. Application Data

(63) Continuation-in-part of application No. 29/055,681, filed on Jun. 11, 1996, now abandoned.

(51) **LOC (7) Cl.** **10-04**

(52) **U.S. Cl.** **D10/50**

(58) **Field of Search** D10/49, 50; D12/162,
D12/164; 236/46 R, 47, 94; 337/112, 320,
360, 380, 381, 414; 364/557; 374/142

(56) **References Cited**

U.S. PATENT DOCUMENTS

D301,207 S * 5/1989 Wereley D10/50
D317,267 S * 6/1991 Metha D10/50
D359,458 S * 6/1995 Pierret D10/50

D359,698 S * 6/1995 Pierret et al. D10/50
D360,145 S * 7/1995 Odom et al. D10/50
D360,146 S * 7/1995 Odom et al. D10/50
D360,147 S * 7/1995 Odom et al. D10/50
D361,286 S * 8/1995 Smith et al. D10/50
D361,947 S * 9/1995 Cochran et al. D10/50
D364,103 S * 11/1995 Stievenart et al. D10/50
D364,350 S * 11/1995 Pasquarette et al. D10/50
5,613,237 A * 3/1997 Bent et al. 455/351
D381,334 S * 7/1997 Khoo D14/191

* cited by examiner

Primary Examiner—Antoine Duval Davis

(57) **CLAIM**

The ornamental design for an electrical equipment housing, as shown and described.

DESCRIPTION

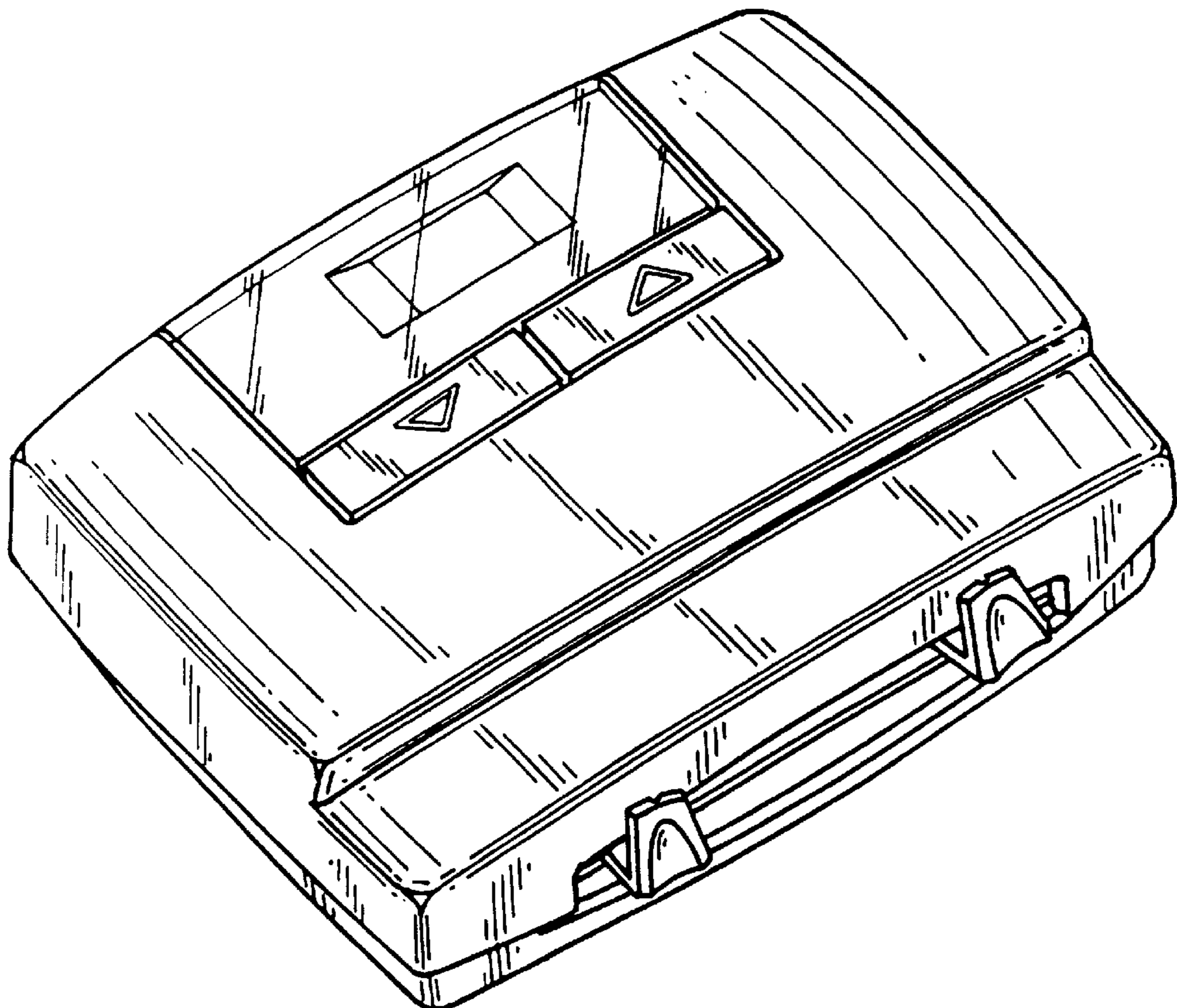
FIG. 1 is a perspective view of an electronic equipment housing.

FIG. 2 is a projective view of the electronic equipment housing's face.

FIG. 3 is a projective view of the electronic equipment housing's bottom; and,

FIG. 4 is a projective view of the electronic equipment housing's right side.

1 Claim, 3 Drawing Sheets



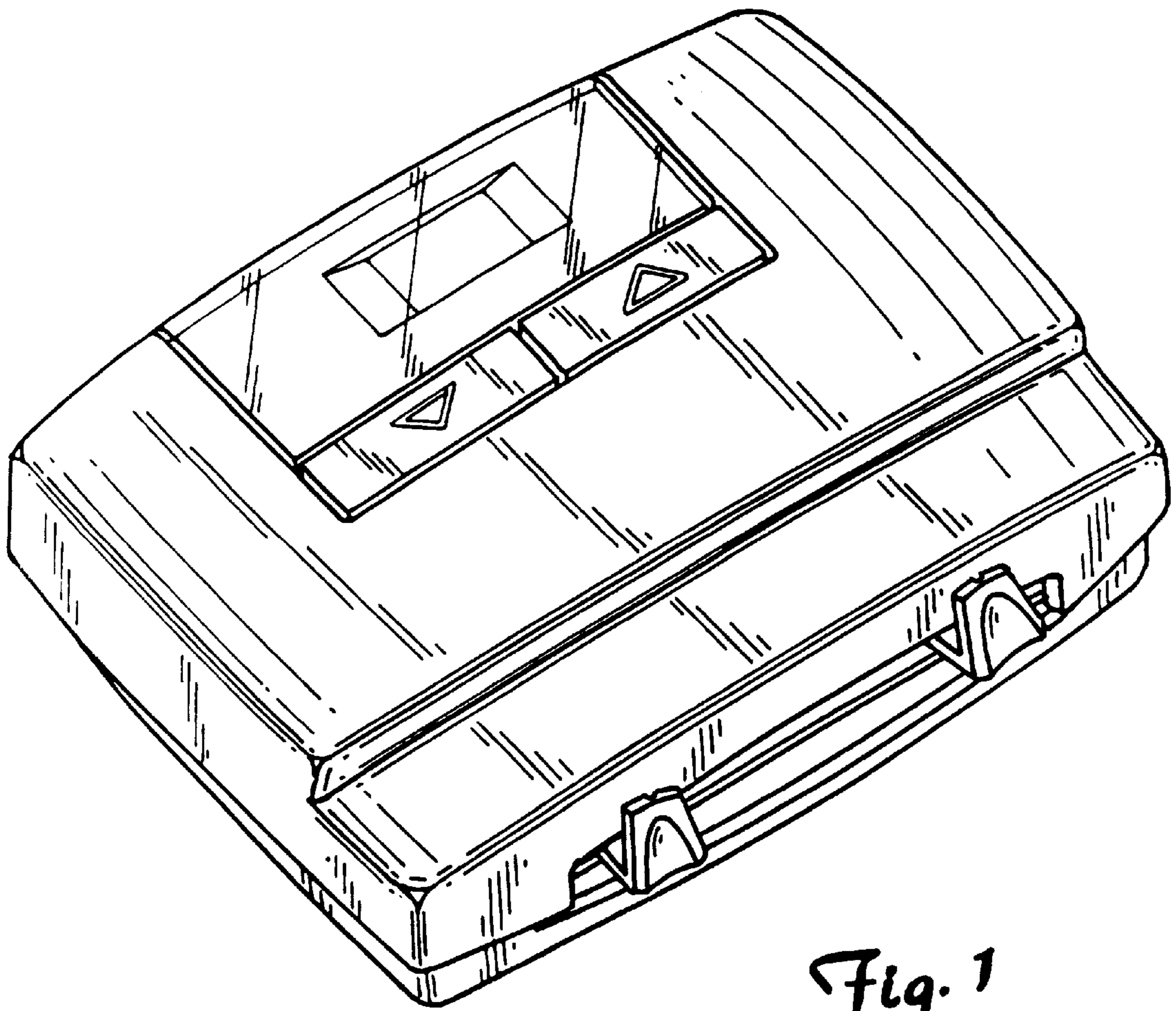


Fig. 1

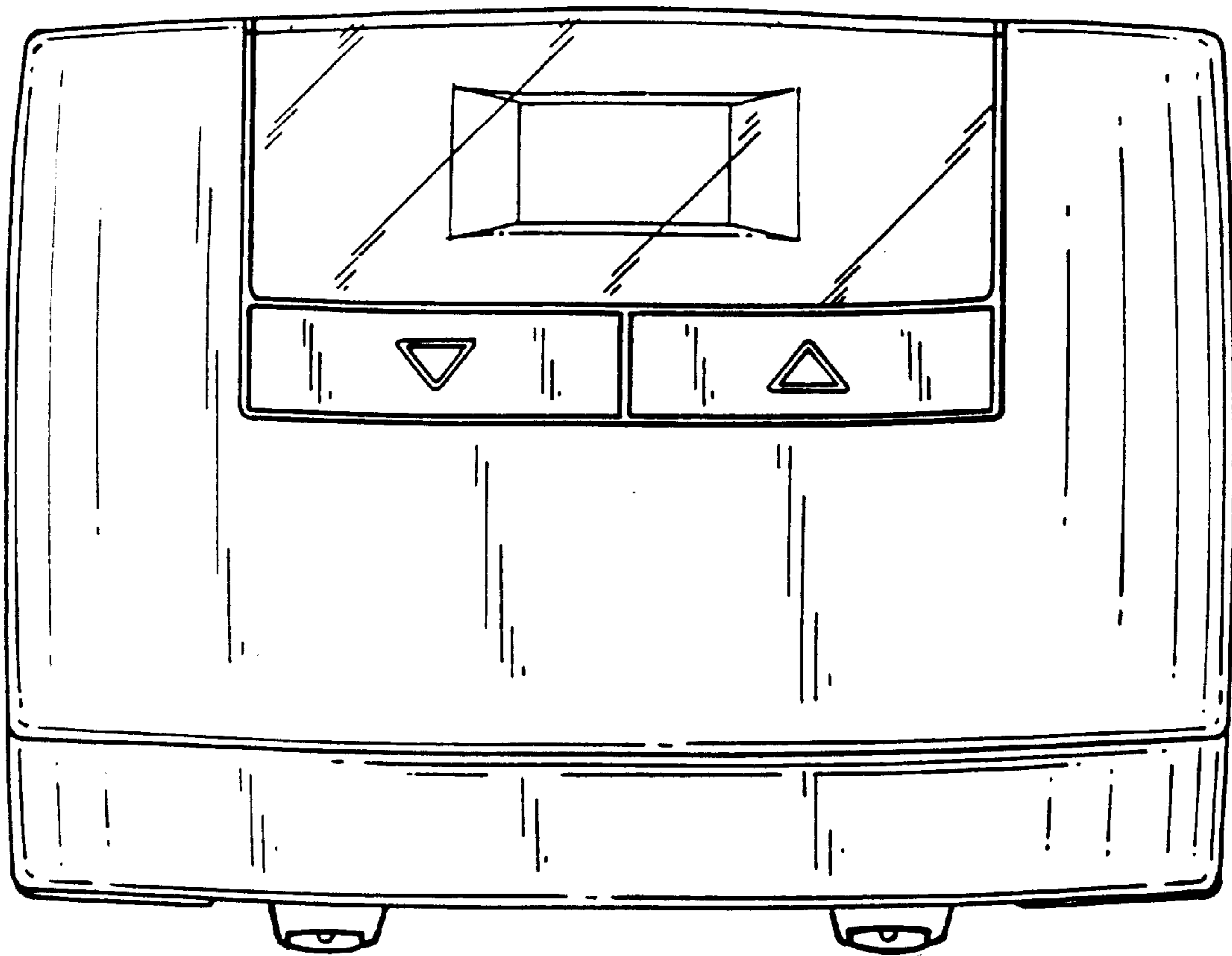


Fig. 2

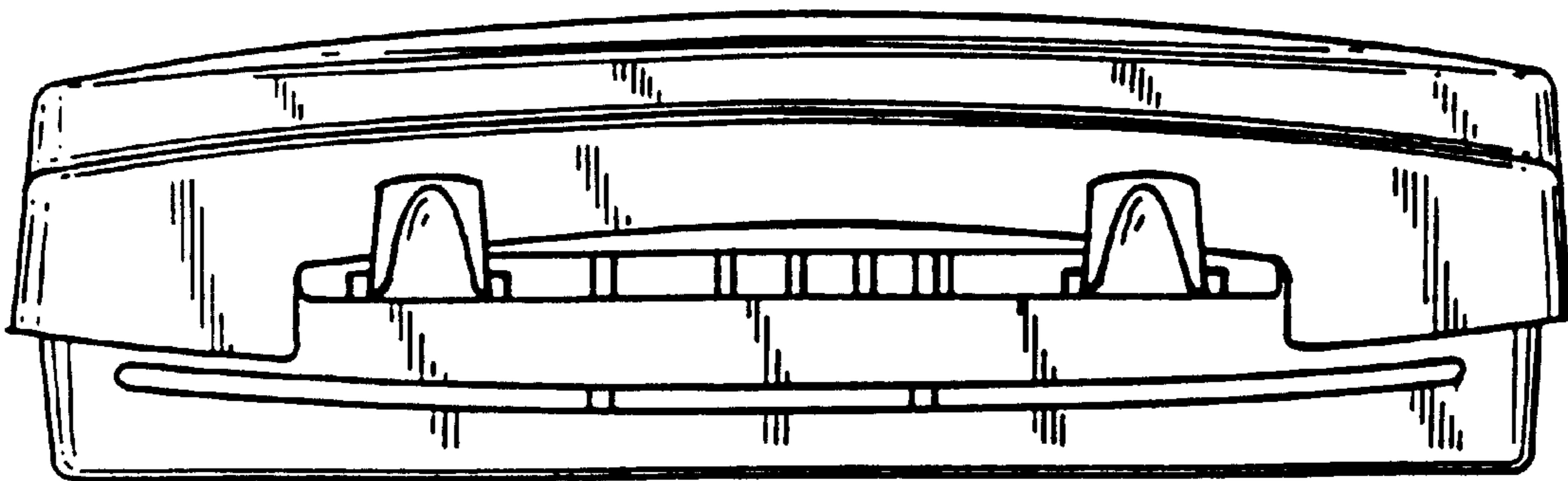


Fig. 3

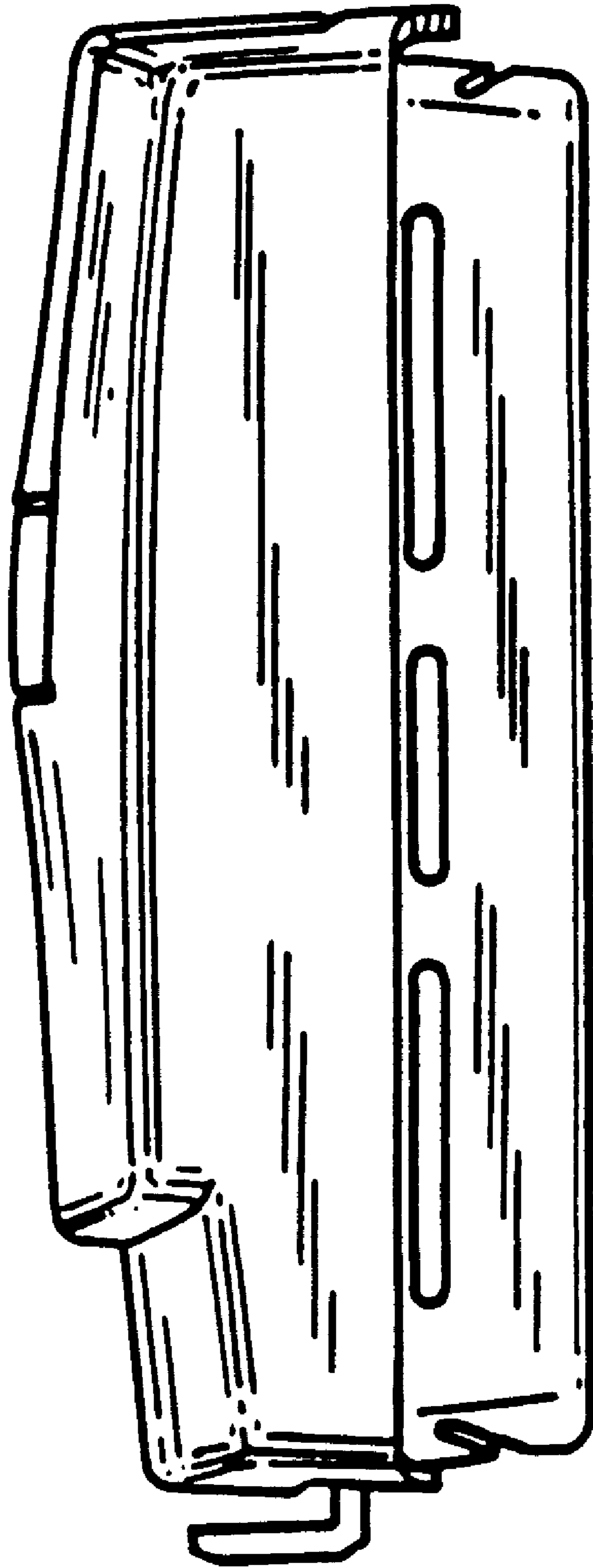


Fig. 4