



US00D466418S

(12) **United States Design Patent**  
**Kwok**

(10) **Patent No.:** **US D466,418 S**

(45) **Date of Patent:** **\*\* Dec. 3, 2002**

(54) **CLOCK**

(75) Inventor: **Joseph Tak Ming Kwok, Tai Po (HK)**

(73) Assignee: **Moneray International, Ltd., Kowloon (HK)**

(\*\*) Term: **14 Years**

(21) Appl. No.: **29/141,972**

(22) Filed: **May 15, 2001**

(51) **LOC (7) Cl.** ..... **10-01**

(52) **U.S. Cl.** ..... **D10/15**

(58) **Field of Search** ..... D10/1, 2, 3-5,  
D10/16-18, 19-40, 122-132; 368/10, 28-30,  
41-44, 82-84, 239-242, 276, 277, 280-282,  
285, 316, 317

(56) **References Cited**

**U.S. PATENT DOCUMENTS**

D245,074 S \* 7/1977 Karibe et al. .... D10/124

D334,347 S \* 3/1993 White ..... D10/37

D360,594 S \* 7/1995 Weichhold et al. .... D10/40

**OTHER PUBLICATIONS**

Hong Kong Enterprise—Jul. 1988—p. 185—clock at top.\*  
Gifts and Decorative Accessories—Jan. 1979—p. 108—  
clock at top-right.\*

\* cited by examiner

*Primary Examiner*—Nelson C. Holtje

(74) *Attorney, Agent, or Firm*—Dorsey & Whitney LLP

(57) **CLAIM**

The ornamental design for clock, as shown and described.

**DESCRIPTION**

FIG. 1 is a front elevation view of the clock of the invention;

FIG. 2 is a top elevation view of the clock;

FIG. 3 is a bottom elevation view of the clock;

FIG. 4 is a side view of FIG. 5 showing an optionally extendable bracket for standing the clock on a flat surface as opposed to hanging it on a wall;

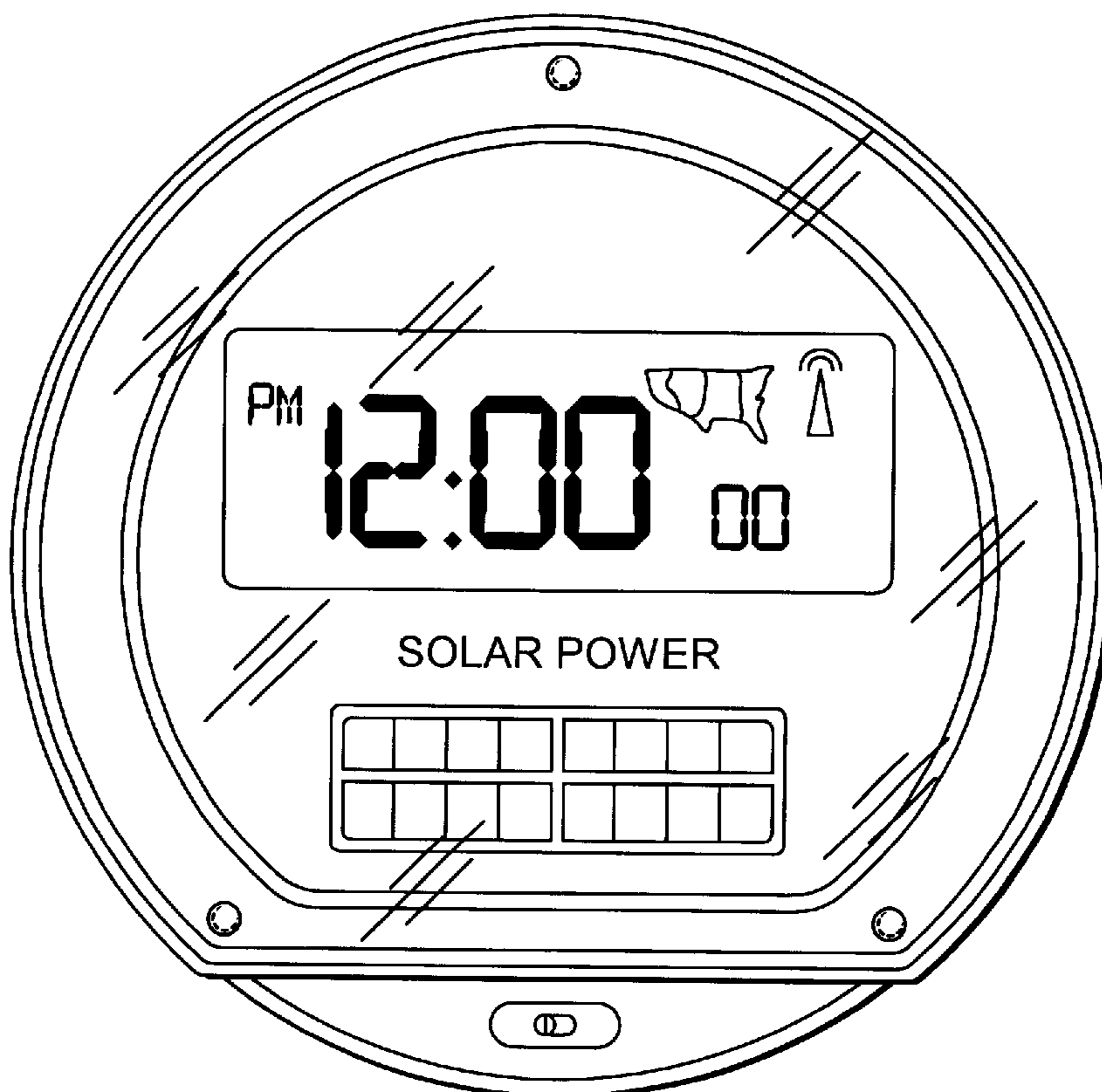
FIG. 5 is a rear elevation view of the clock; and,

FIG. 6 is a perspective view of the clock.

The numerals of the clock display are provided by an electro-luminescent display on a glass substrate.

The broken line showing of an optionally extendable bracket is for illustrative purposes only and forms no part of the claimed design.

**1 Claim, 2 Drawing Sheets**



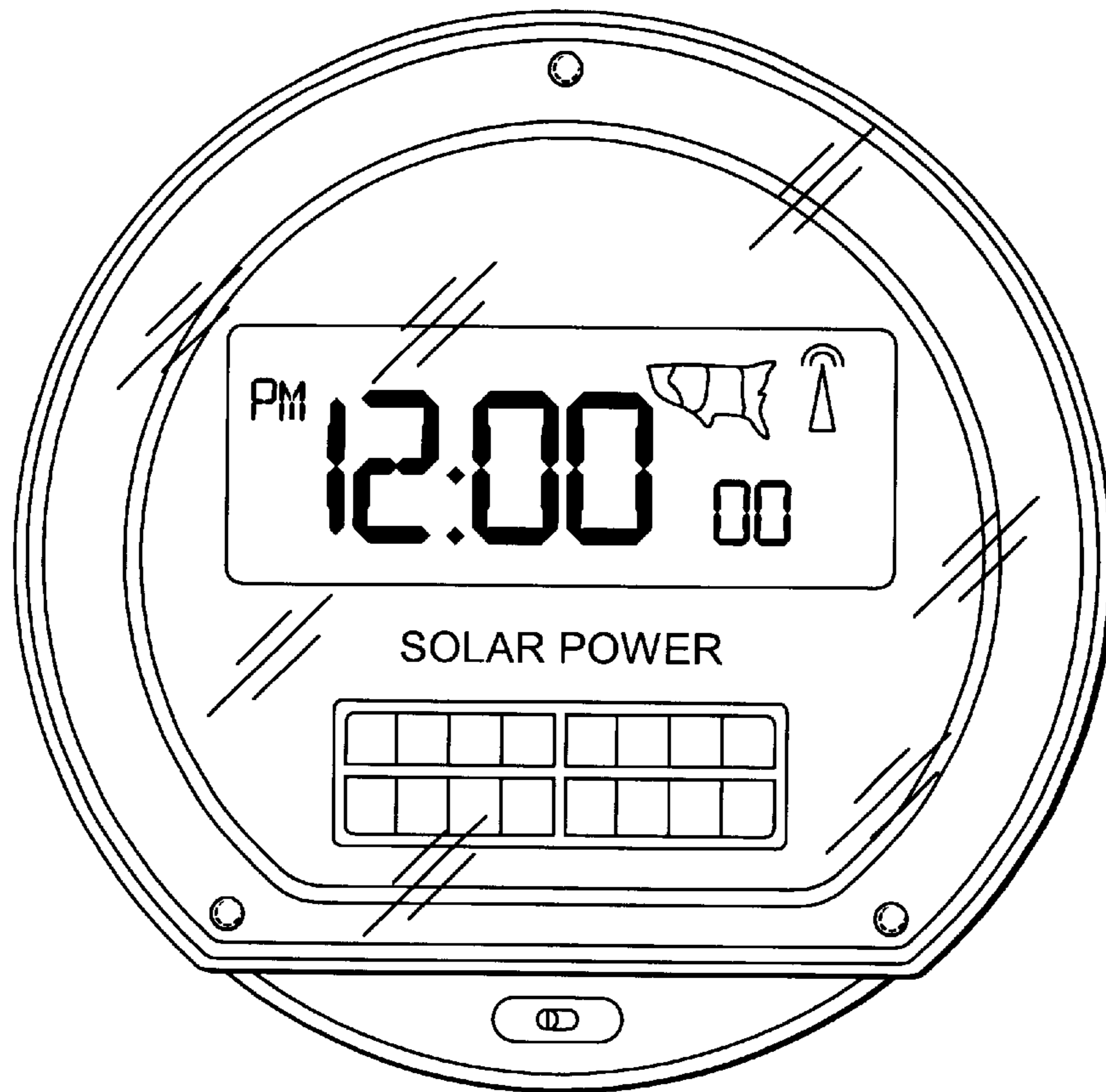


FIG. 1

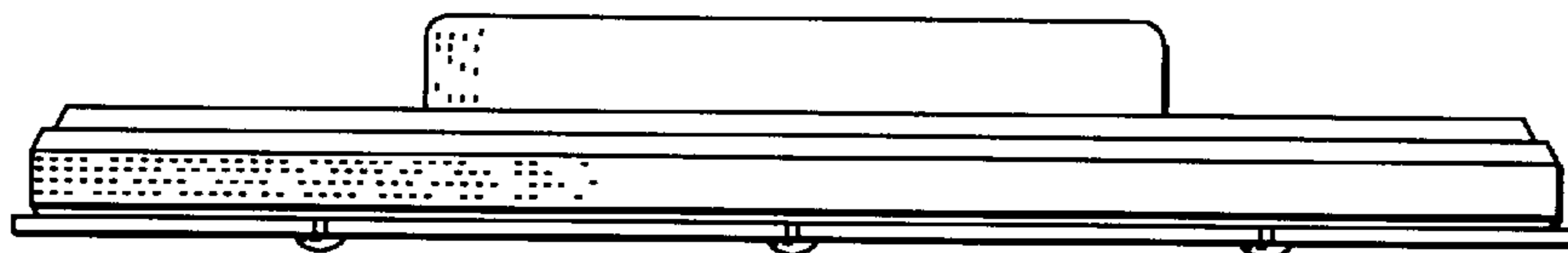


FIG. 2

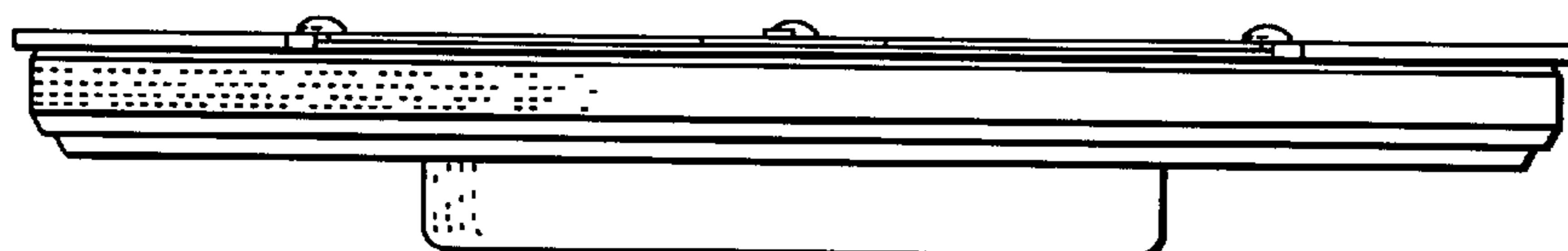


FIG. 3

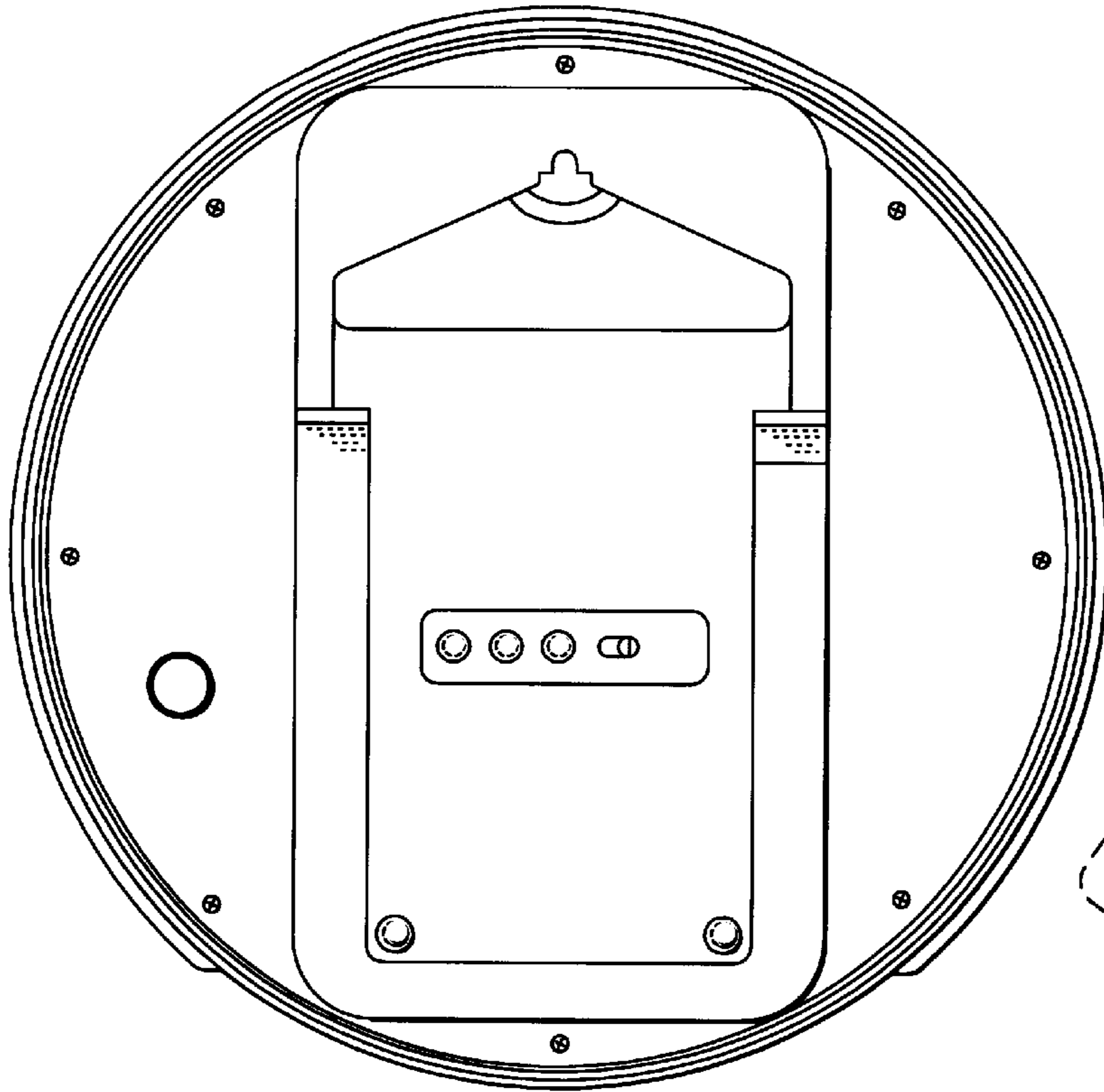


FIG. 5

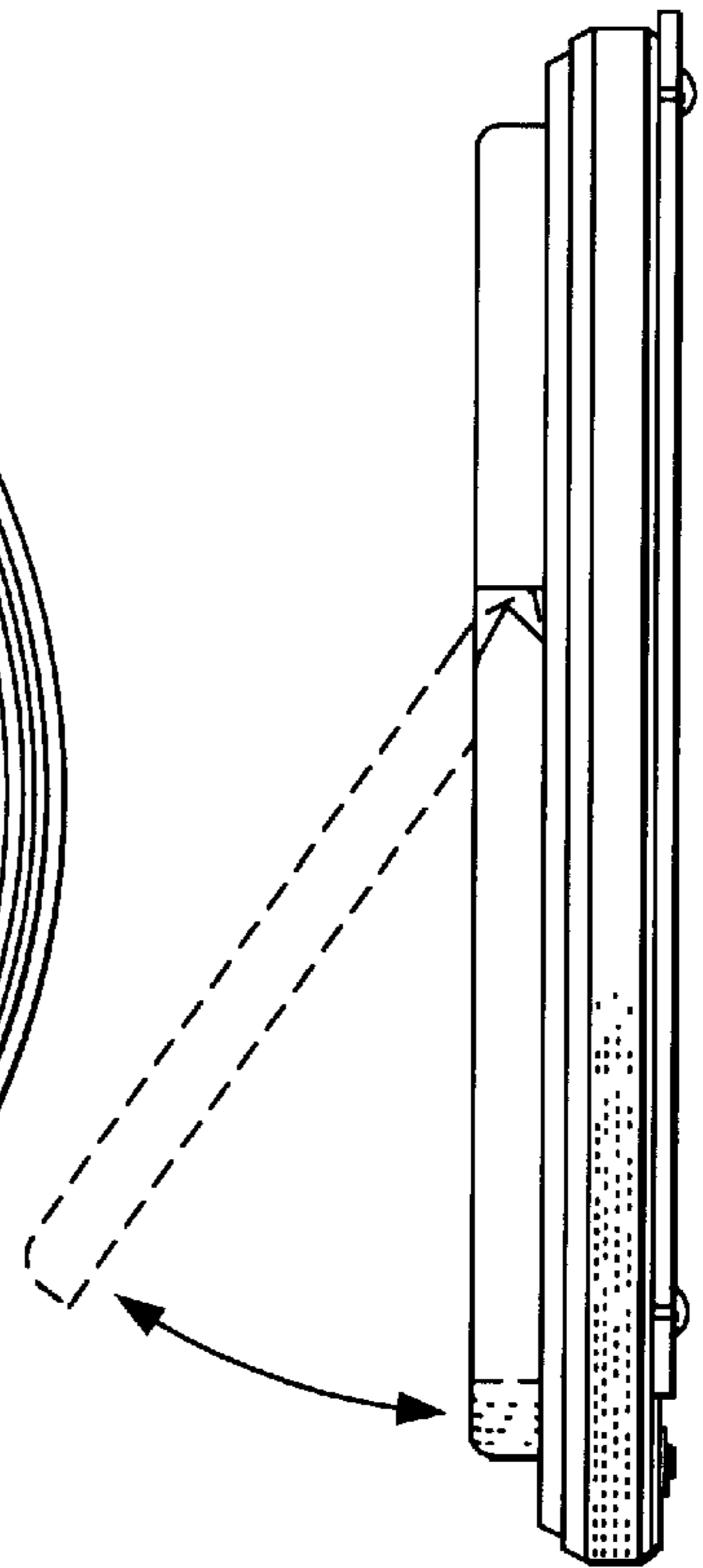


FIG. 4

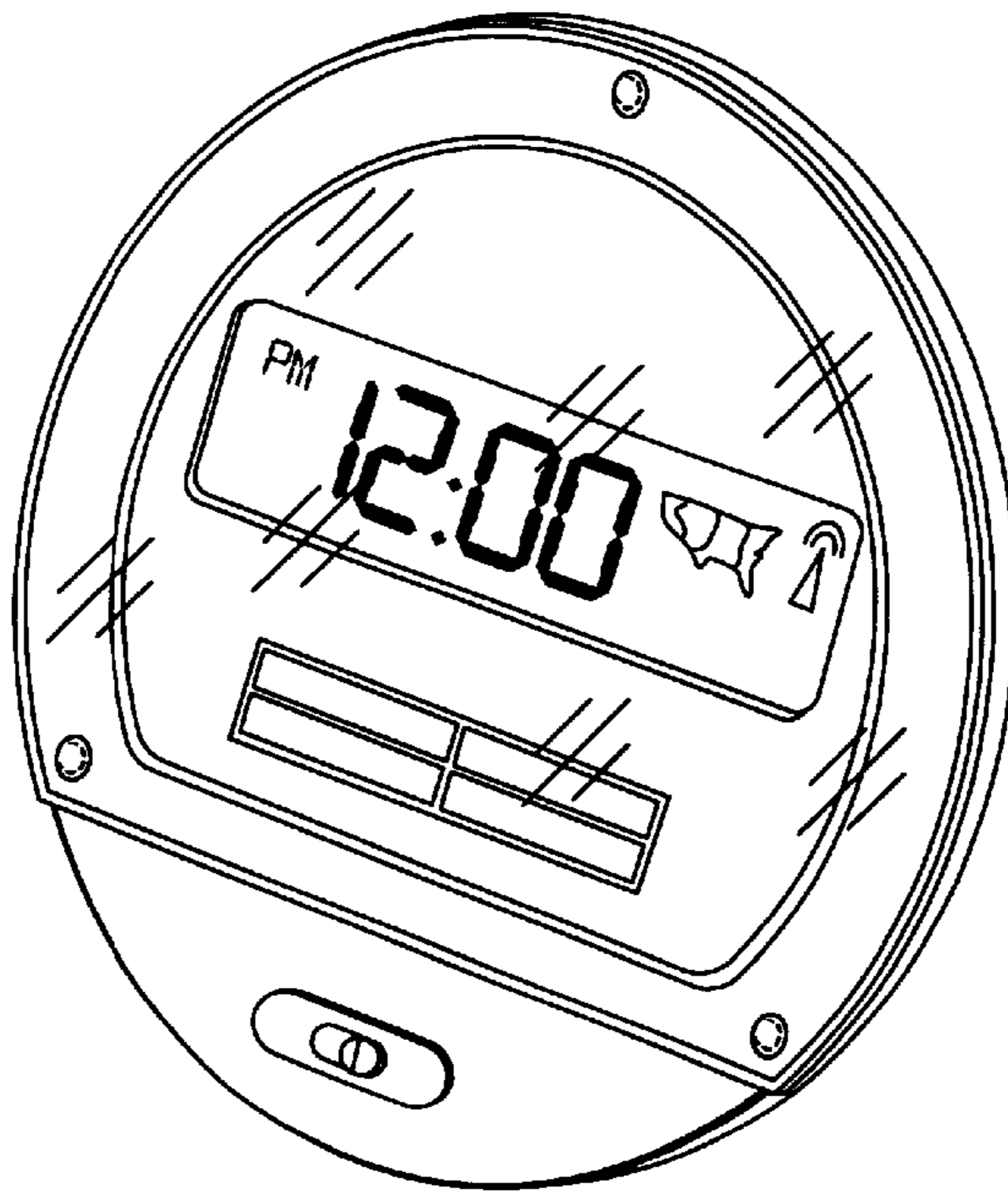


FIG. 6