



US00D466417S

(12) **United States Design Patent**  
**Yoshinaka**

(10) **Patent No.:** **US D466,417 S**

(45) **Date of Patent:** **\*\* Dec. 3, 2002**

(54) **CLOCK**

D423,944 S \* 5/2000 Chan ..... D10/15

(75) Inventor: **Isao Yoshinaka**, Tokyo (JP)

\* cited by examiner

(73) Assignee: **Hiromori Inc.**, Tokyo (JP)

*Primary Examiner*—Nelson C. Holtje

(\*\*) Term: **14 Years**

(74) *Attorney, Agent, or Firm*—Salter & Michaelson

(21) Appl. No.: **29/141,255**

(57) **CLAIM**

(22) Filed: **May 2, 2001**

The ornamental design for a clock, as shown and described.

(30) **Foreign Application Priority Data**

**DESCRIPTION**

Nov. 3, 2000 (HK) ..... 0011613

(51) **LOC (7) Cl.** ..... **10-01**

(52) **U.S. Cl.** ..... **D10/15**

(58) **Field of Search** ..... D10/1-40, 122-132;  
368/41-44, 82-84, 28-30, 239-242, 276-277,  
280-282, 285

FIG. 1 is a perspective view of a clock in an open position; FIG. 2 is a perspective view of a clock in a closed position; FIG. 3 is a front elevational view thereof in the closed position;

FIG. 4 is a rear elevational view thereof in the closed position;

FIG. 5 is a top plan view thereof in the closed position;

FIG. 6 is a bottom plan view thereof in the closed position; FIG. 7 is a right side elevational view thereof in the closed position; and,

FIG. 8 is a left side elevational view thereof in the closed position.

The portions shown in broken lines are included for illustrative purposes only and form no part of the claimed design.

(56) **References Cited**

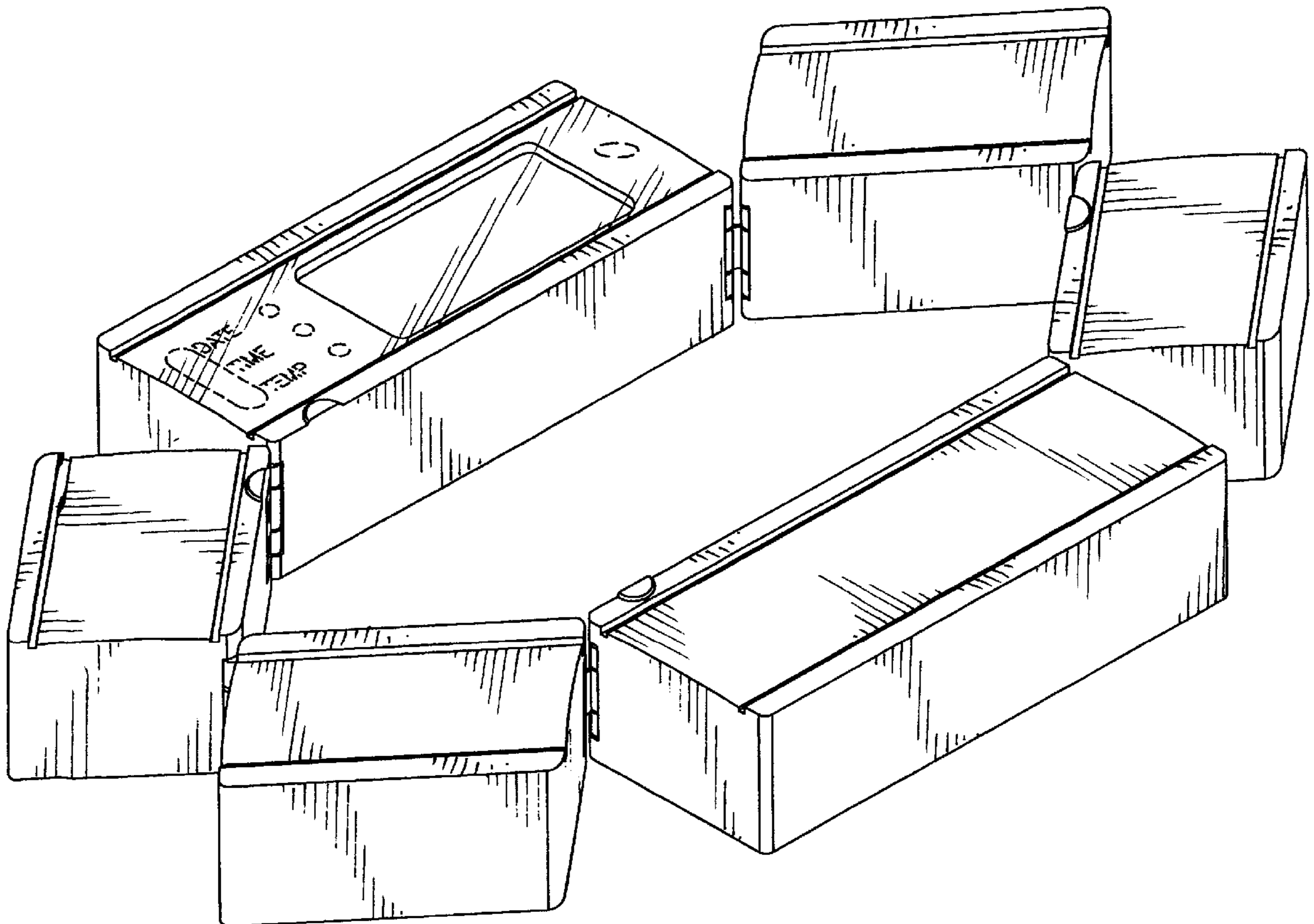
**U.S. PATENT DOCUMENTS**

D258,221 S \* 2/1981 Shimasaki ..... D18/7

D407,983 S \* 4/1999 Hui ..... D10/15

D409,498 S \* 5/1999 Hargrove, III ..... D10/15

**1 Claim, 5 Drawing Sheets**



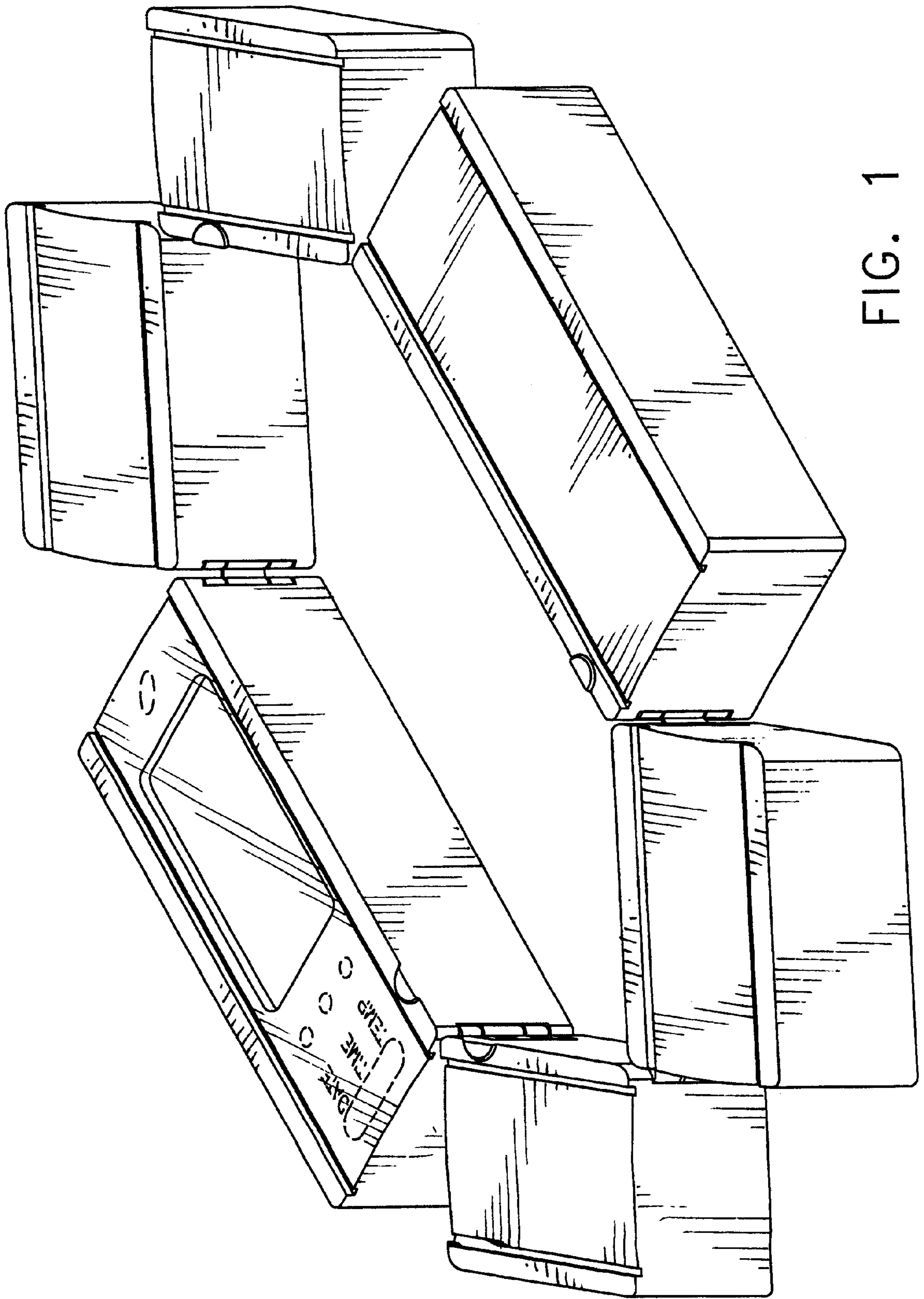


FIG. 1

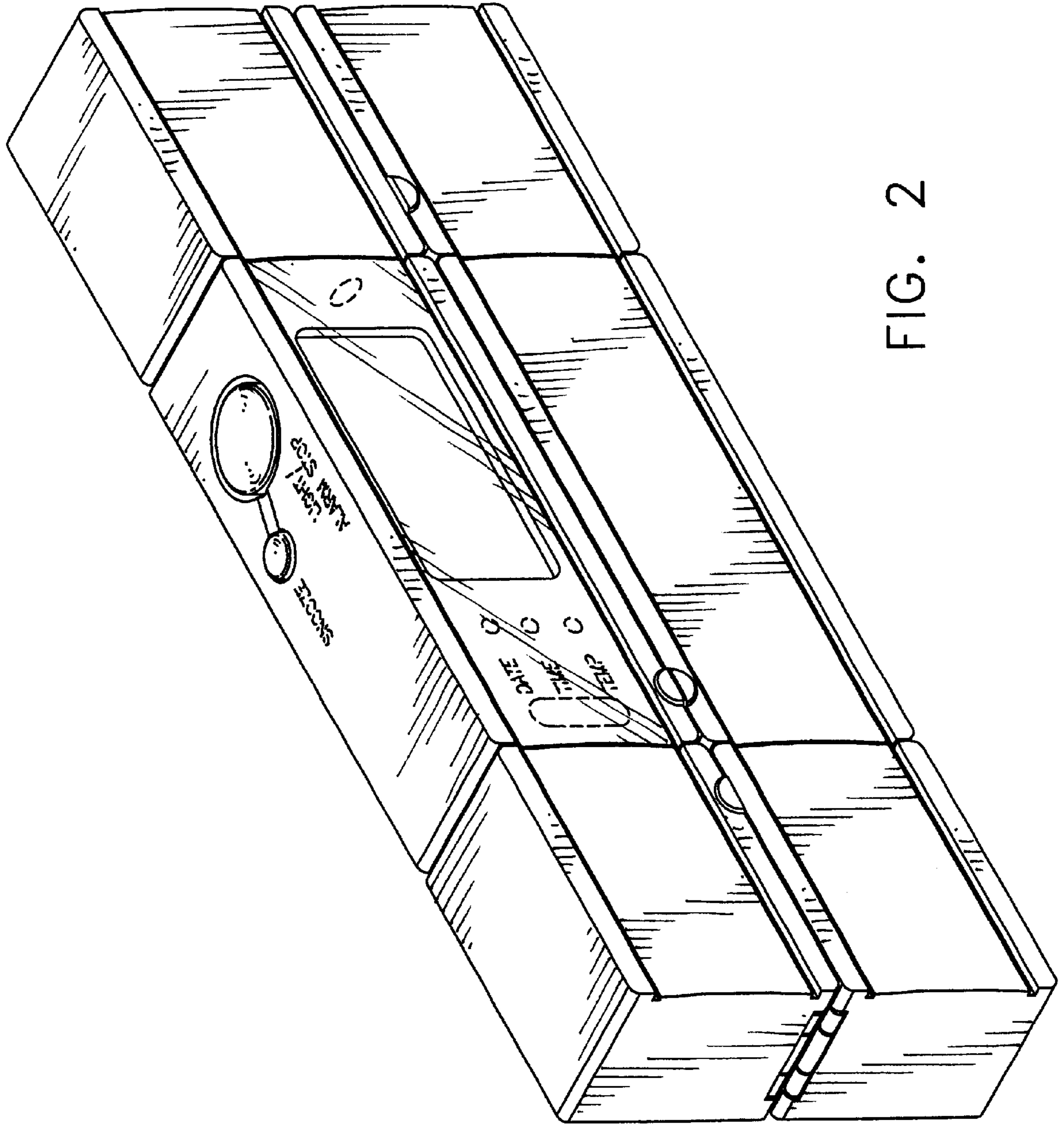


FIG. 2



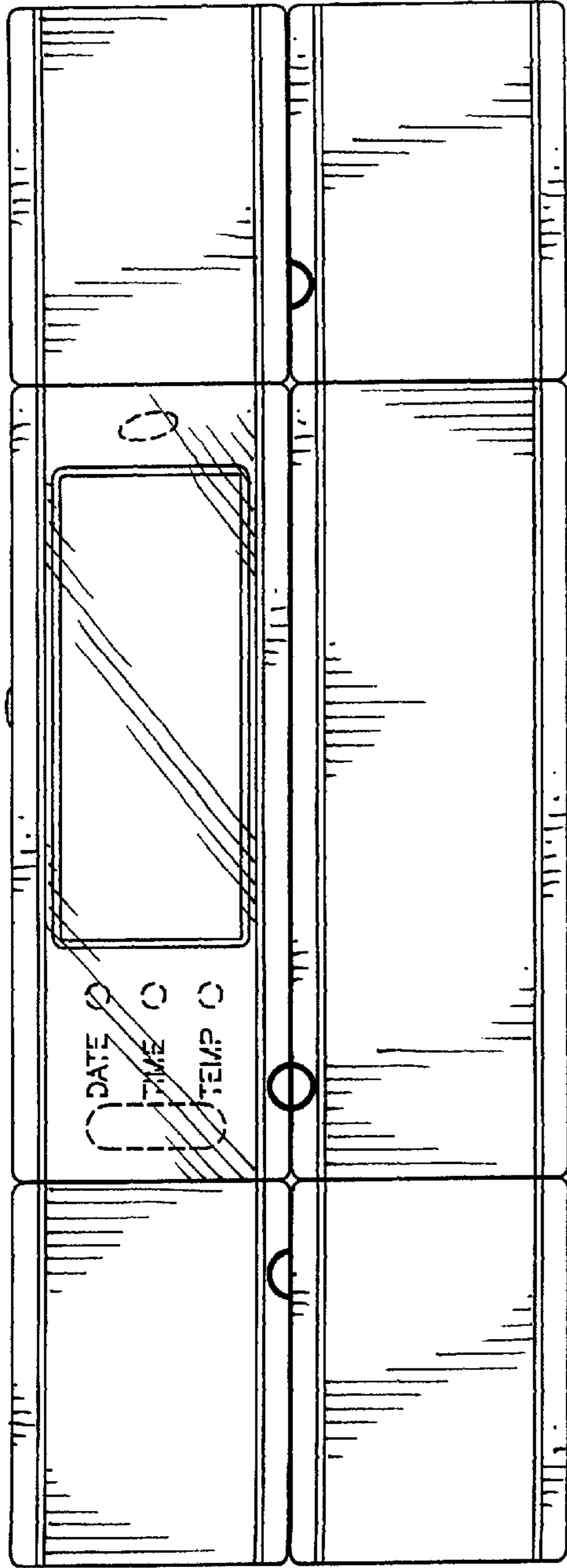


FIG. 3

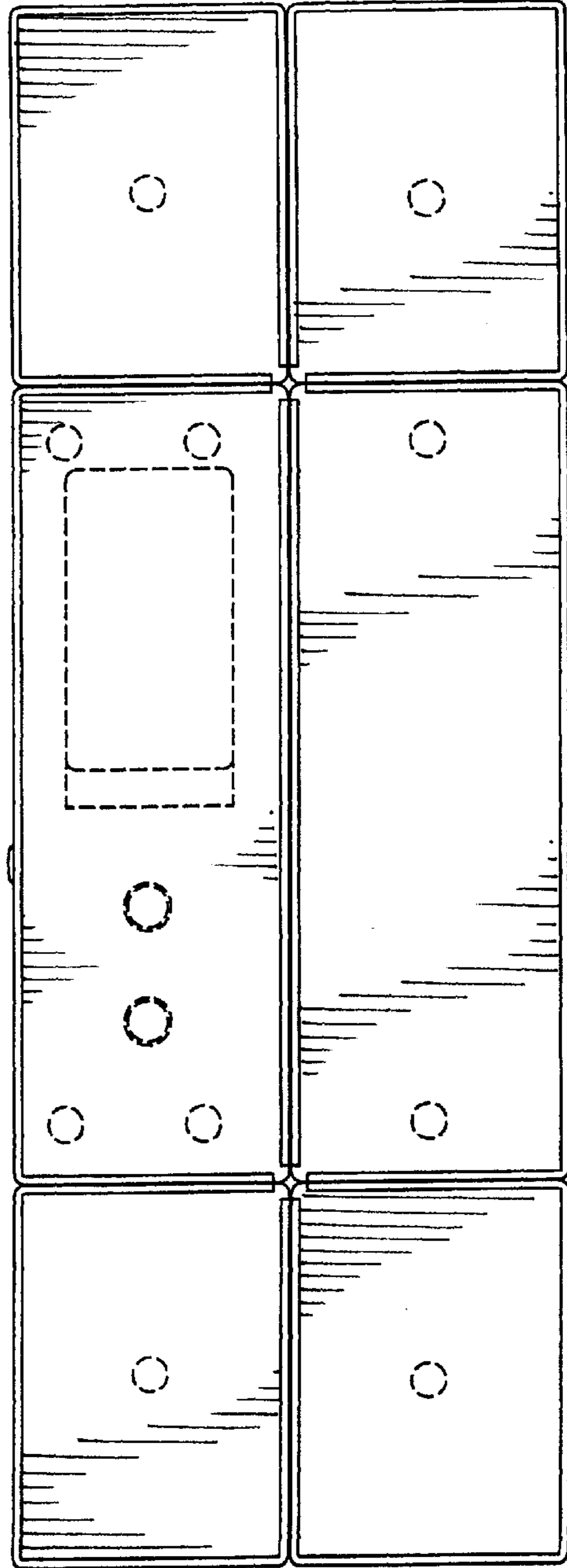


FIG. 4

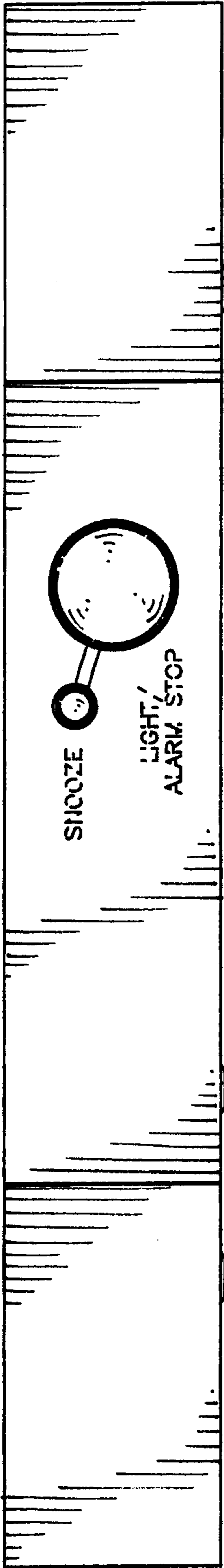


FIG. 5

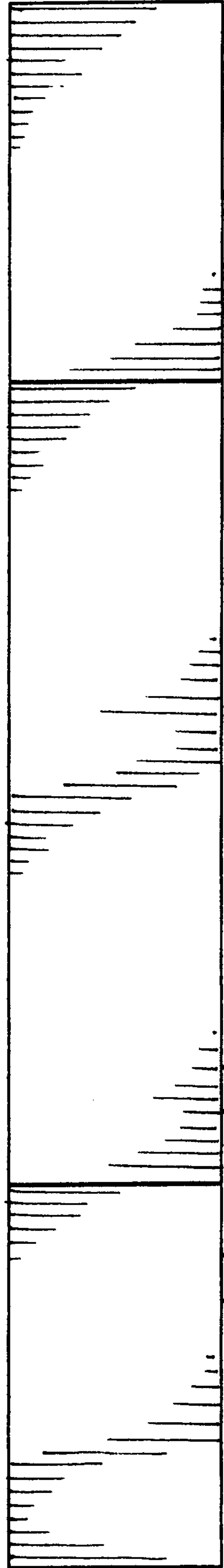


FIG. 6

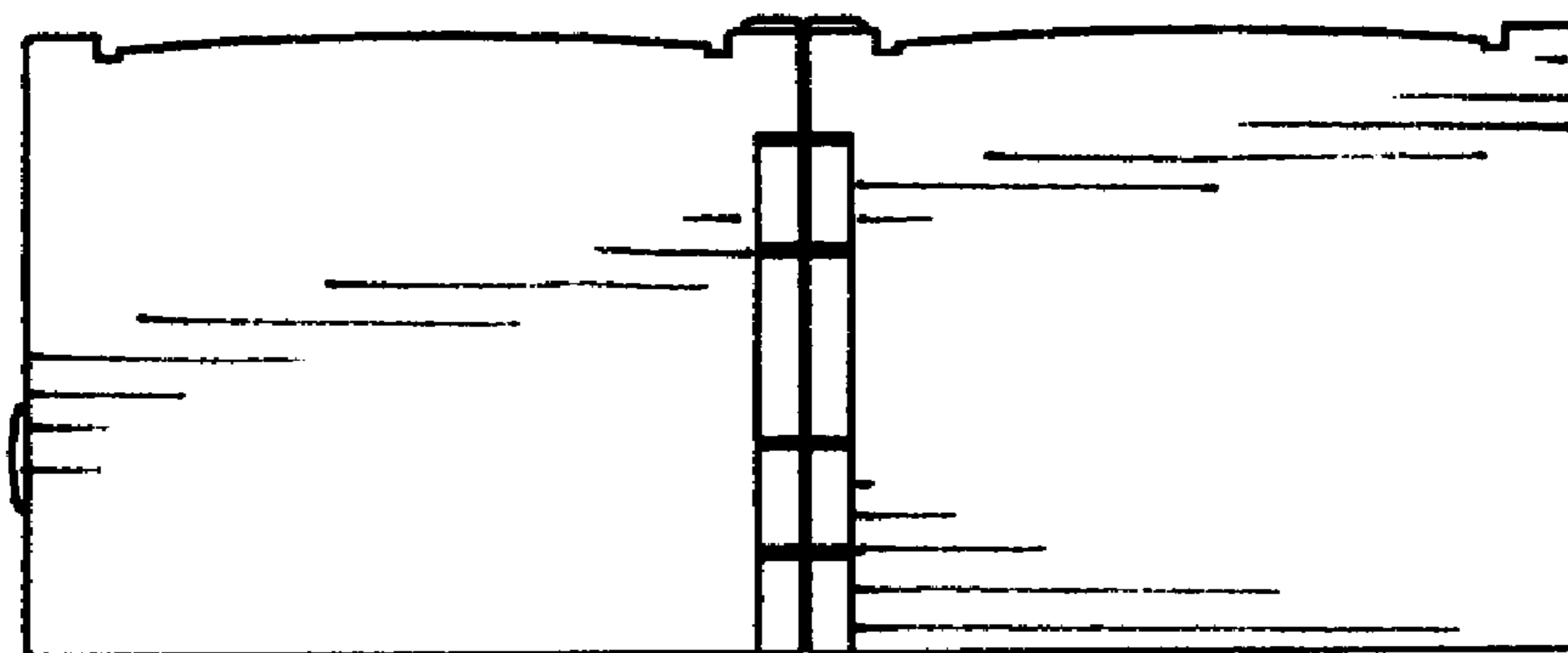


FIG. 7

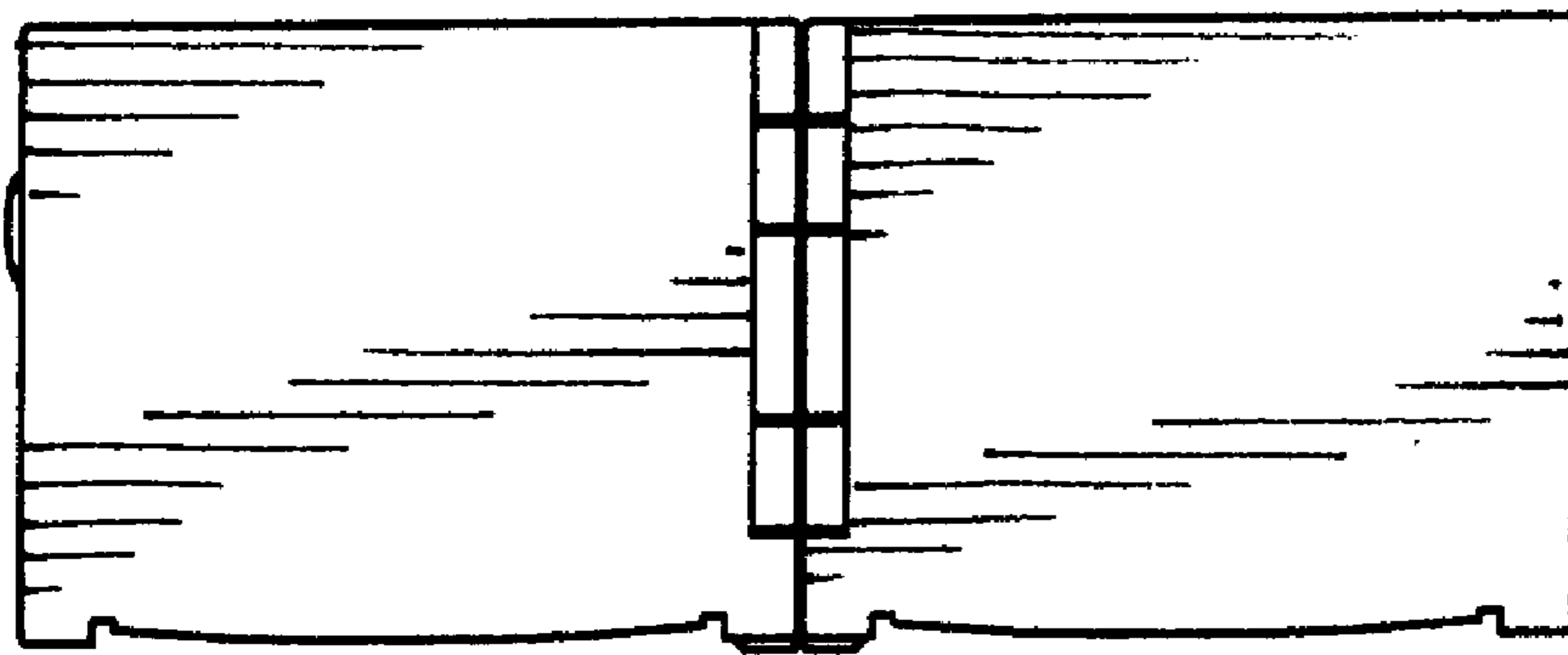


FIG. 8