



US00D466414S

(12) **United States Design Patent**
Venkataraman et al.

(10) **Patent No.:** **US D466,414 S**

(45) **Date of Patent:** **** Dec. 3, 2002**

(54) **PANEL**

(75) **Inventors:** **Shriram Venkataraman**, Ann Arbor, MI (US); **Christopher Brown**, Tipton, MI (US)

(73) **Assignee:** **Schmalbach-Lubeca AG** (DE)

(**) **Term:** **14 Years**

(21) **Appl. No.:** **29/148,606**

(22) **Filed:** **Sep. 20, 2001**

(51) **LOC (7) Cl.** **09-01**

(52) **U.S. Cl.** **D9/538**

(58) **Field of Search** D9/300, 307, 332,
D9/333, 500, 502, 516, 530, 537, 538,
539, 541, 546, 549, 558, 559, 574; 215/381-385,
396, 398, 6, 10; 220/662, 669

(56) **References Cited**

U.S. PATENT DOCUMENTS

D70,165 S	*	5/1926	Fox	D9/538
D185,095 S	*	5/1959	Pettengill	D9/538
3,550,197 A	*	12/1970	Szajna et al.	215/382
D294,462 S	*	3/1988	Ota et al.	D9/556
D337,520 S	*	7/1993	Krishnakumar et al.	D9/434
5,385,250 A	*	1/1995	Pasquale	220/669
D366,831 S	*	2/1996	Semersky et al.	D9/434
D382,799 S	*	8/1997	Darr	D9/434
D427,518 S	*	7/2000	Steward	D9/332
D432,430 S	*	10/2000	Steward et al.	D9/560

D446,112 S	*	8/2001	Bretz et al.	D9/307
D446,711 S	*	8/2001	Bretz et al.	D9/307
D449,533 S	*	10/2001	Helps et al.	D9/502
D450,581 S	*	11/2001	Lichtman et al.	D9/434

OTHER PUBLICATIONS

Dasani Purified Water Bottle (Photograph) With Label Bearing Copyright 1999 The Coca-Cola Company.

* cited by examiner

Primary Examiner—Ted Shooman

Assistant Examiner—Carol Rademaker

(74) *Attorney, Agent, or Firm*—Harness, Dickey & Pierce, P.L.C.

(57) **CLAIM**

The ornamental design for a panel, as shown and described.

DESCRIPTION

FIG. 1 is a front perspective view of a panel showing our new design;

FIG. 2 is a front elevational view of the panel shown in FIG. 1;

FIG. 3 is a left side view of the panel shown in FIG. 2, the right side being a mirror image of the left side shown; and, FIG. 4 is a cross-sectional view of the panel along line 4—4 of FIG. 2.

The broken lines shown in FIGS. 1, 3, & 4 are for environmental purposes only and form no part of the claimed design.

1 Claim, 2 Drawing Sheets

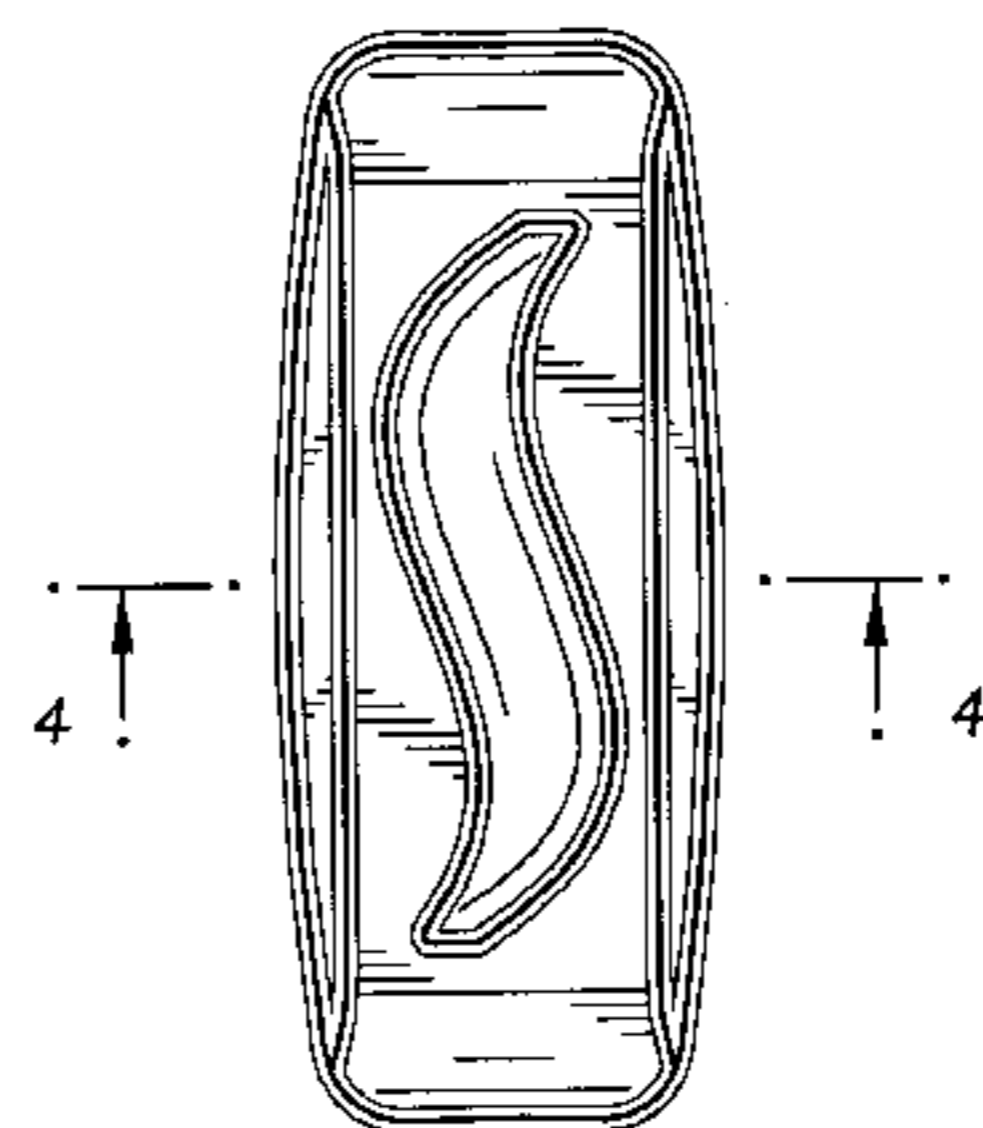
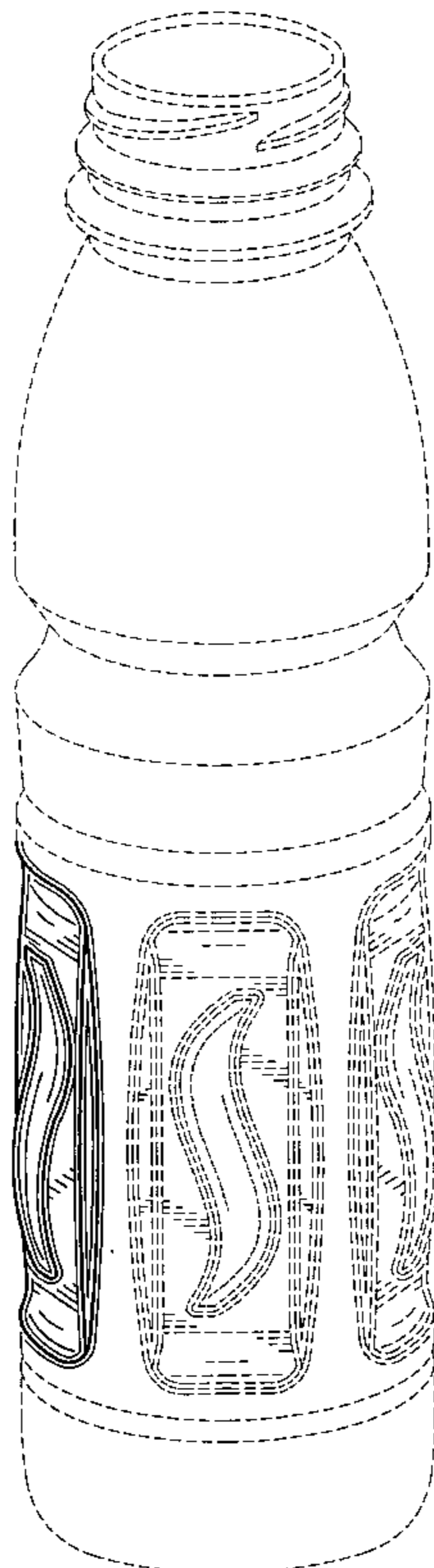


FIG. 1

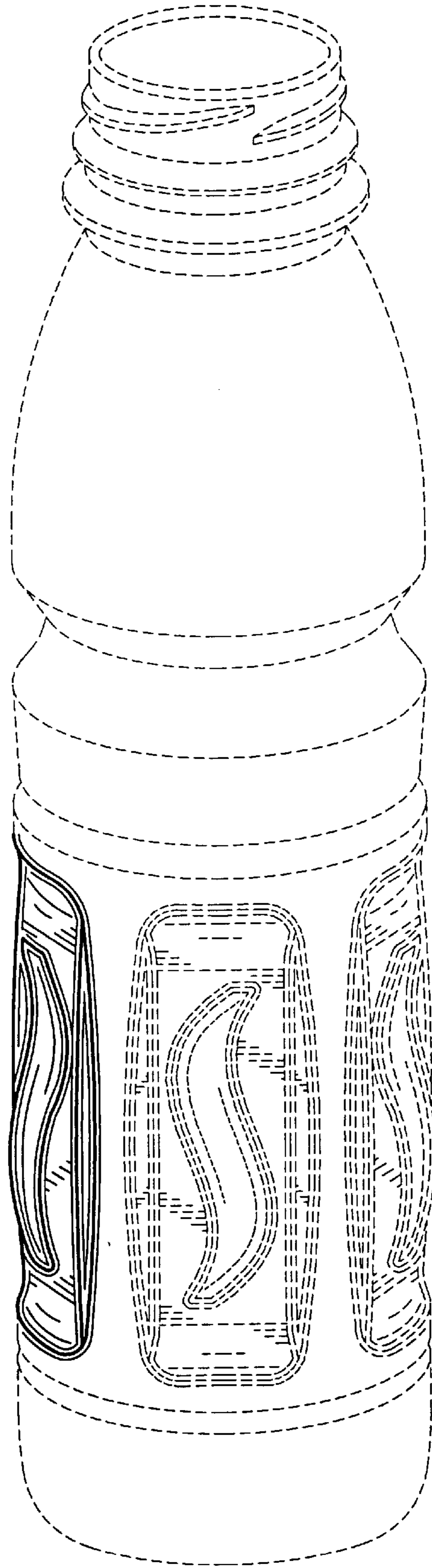


FIG. 2

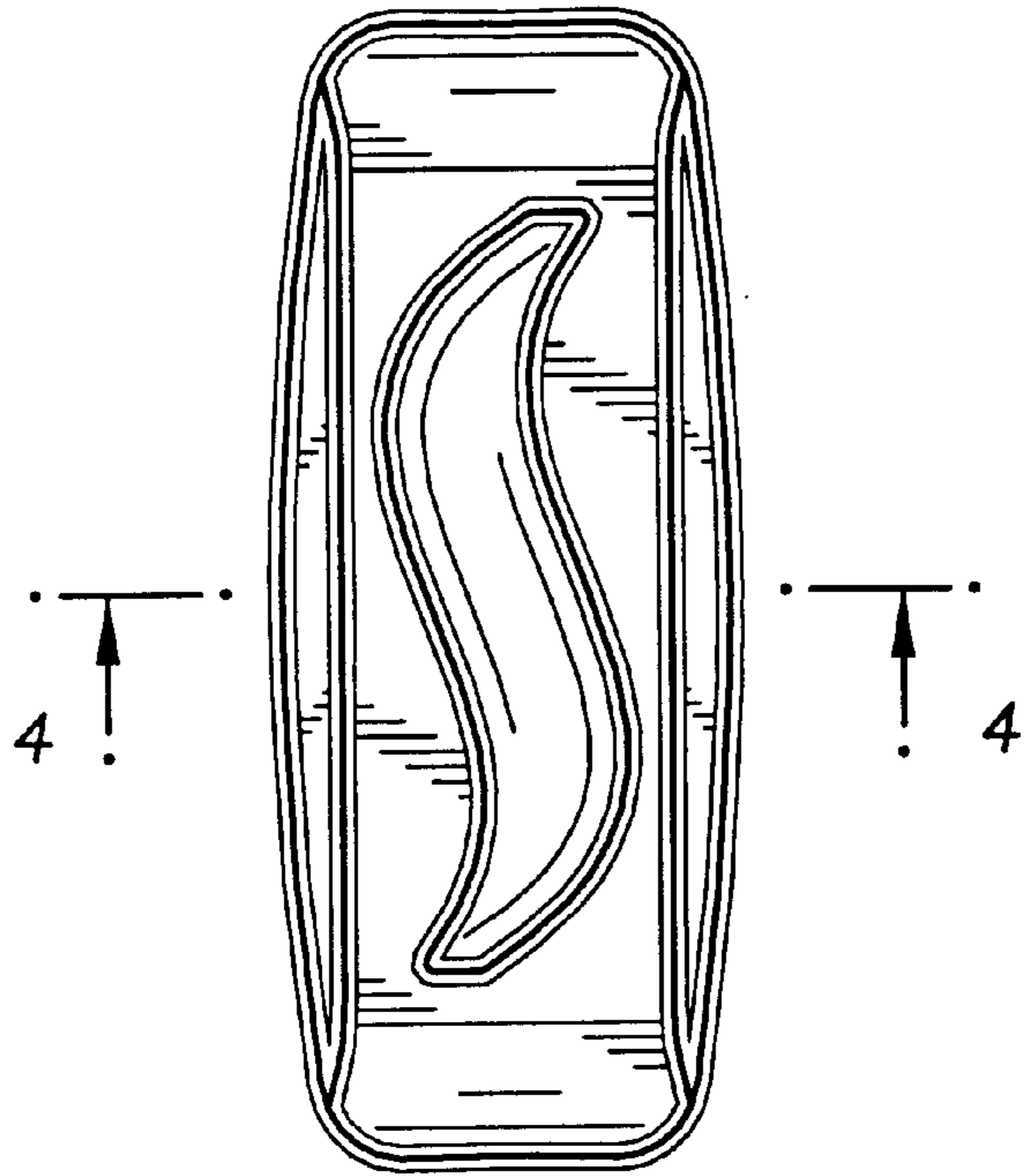


FIG. 3



FIG. 4

