



US00D466405S

(12) **United States Design Patent** (10) **Patent No.:** **US D466,405 S**
Lee (45) **Date of Patent:** **** Dec. 3, 2002**

(54) **DISPLAY PACKAGE**

6,305,533 B1 * 10/2001 Welty et al. 229/108

(75) Inventor: **Kendrew Lee**, Fremont, CA (US)

* cited by examiner

(73) Assignee: **Monster Cable Products, Inc.**,
Brisbane, CA (US)

Primary Examiner—Prabhakar Deshmukh
(74) *Attorney, Agent, or Firm*—LaRiviere, Grubman & Payne, LLP

(**) Term: **14 Years**

(57) **CLAIM**

(21) Appl. No.: **29/152,160**

The ornamental design for a display package, as shown and described.

(22) Filed: **Dec. 12, 2001**

DESCRIPTION

(51) **LOC (7) Cl.** **09-03**

(52) **U.S. Cl.** **D9/415; D9/418**

(58) **Field of Search** D9/414, 415, 418,
D9/423–426; 206/461–471, 216, 223, 457,
775–779, 486, 495, 527; 220/4.23–4.25,
836, 837, 838, 841; 229/108, 116.1, 162

A portion of the disclosure of this design patent document contains material to which a claim of copyright protection is made. The copyright owner has no objection to the facsimile reproduction of the patent document or the patent disclosure as it appears in the U.S. Patent and Trademark office file or records, but reserves all other copyright rights.

(56) **References Cited**

FIG. 1 is a perspective view of a display package, in accordance with the present invention.

U.S. PATENT DOCUMENTS

FIG. 2 is a top view thereof.

4,058,212 A	*	11/1977	Wyslotsky	206/463
D405,388 S	*	2/1999	Lee	D9/415
5,875,893 A	*	3/1999	Lee et al.	206/471
D414,410 S	*	9/1999	Klein et al.	D9/415
6,065,589 A	*	5/2000	Ouwens	229/4.23
D431,459 S	*	10/2000	Lee	D9/415
D442,857 S	*	5/2001	Feehan, Jr.	D9/415

FIG. 3 is a front view thereof;

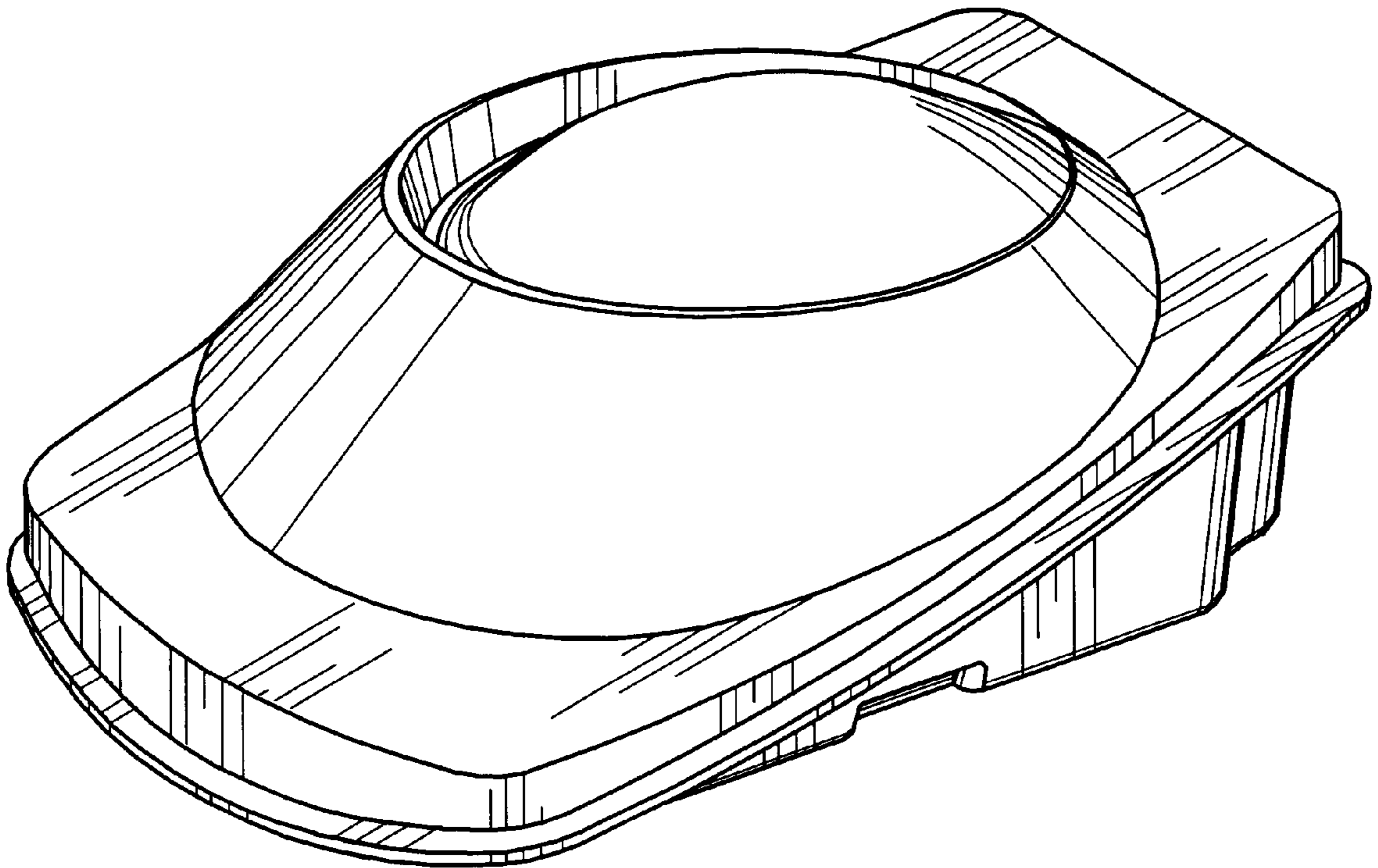
FIG. 4 is an underside view thereof;

FIG. 5 is a side view thereof;

FIG. 6 is a corresponding side view thereof; and,

FIG. 7 is a rear view thereof.

1 Claim, 3 Drawing Sheets



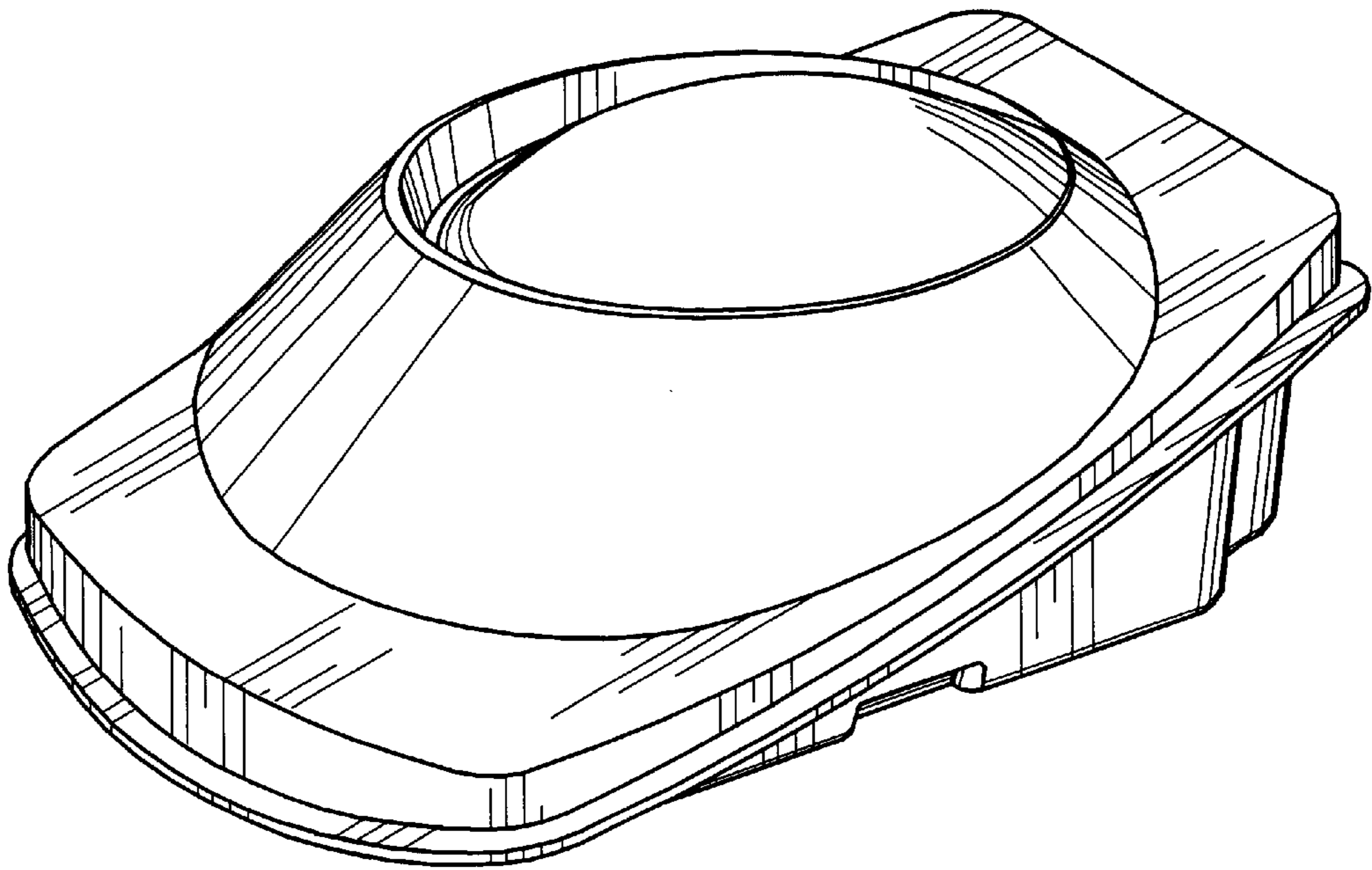


Figure 1

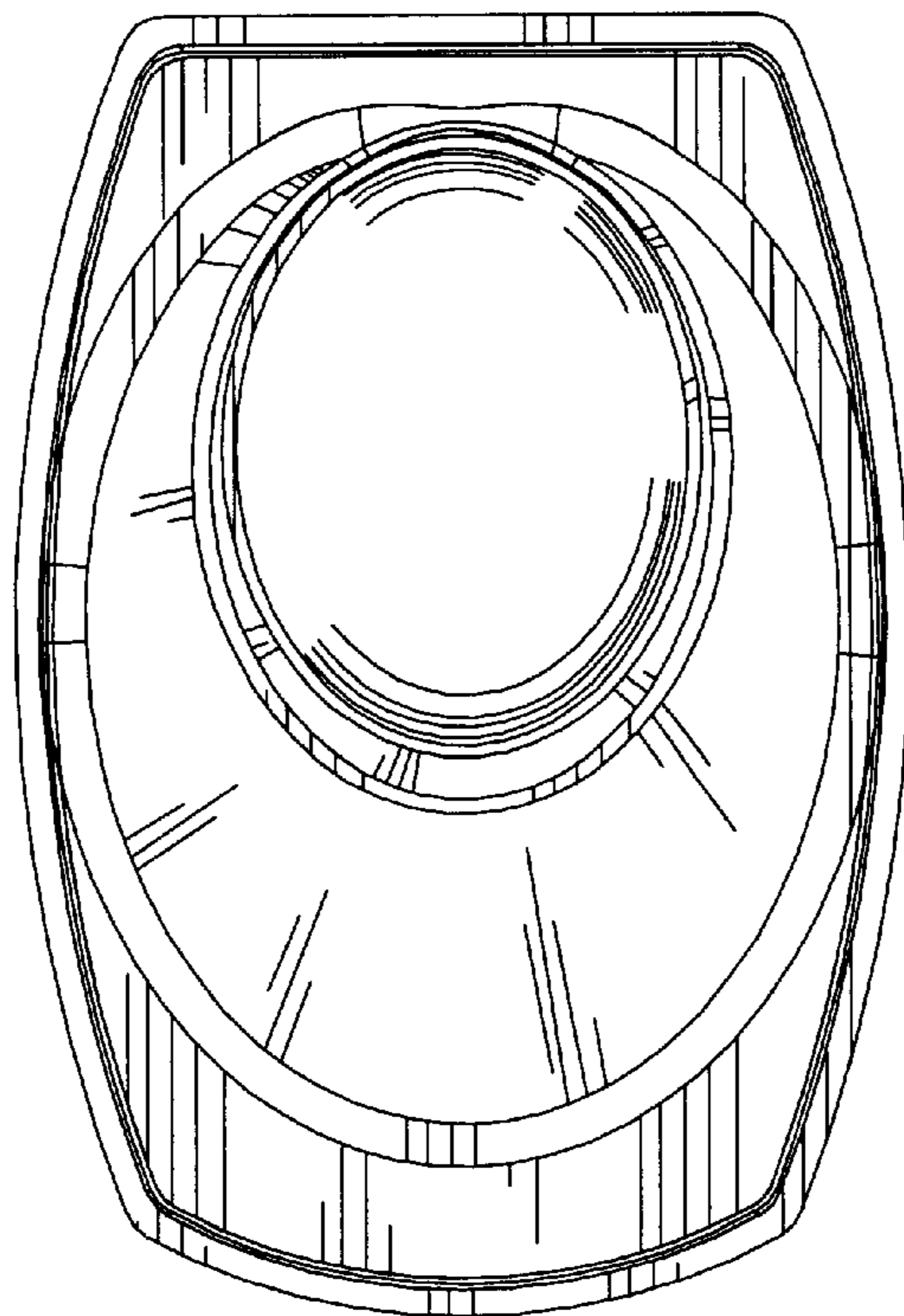


Figure 2

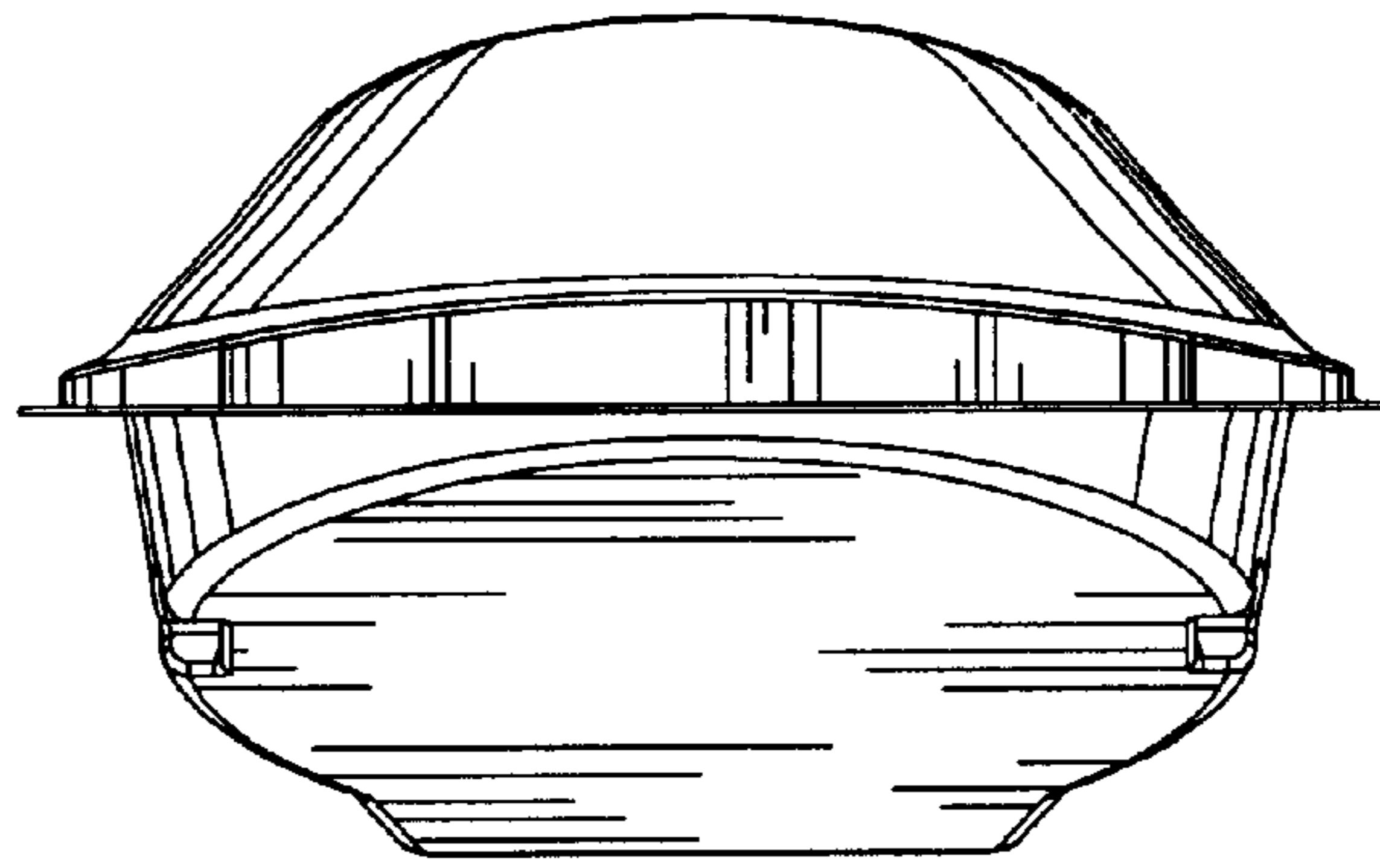


Figure 3

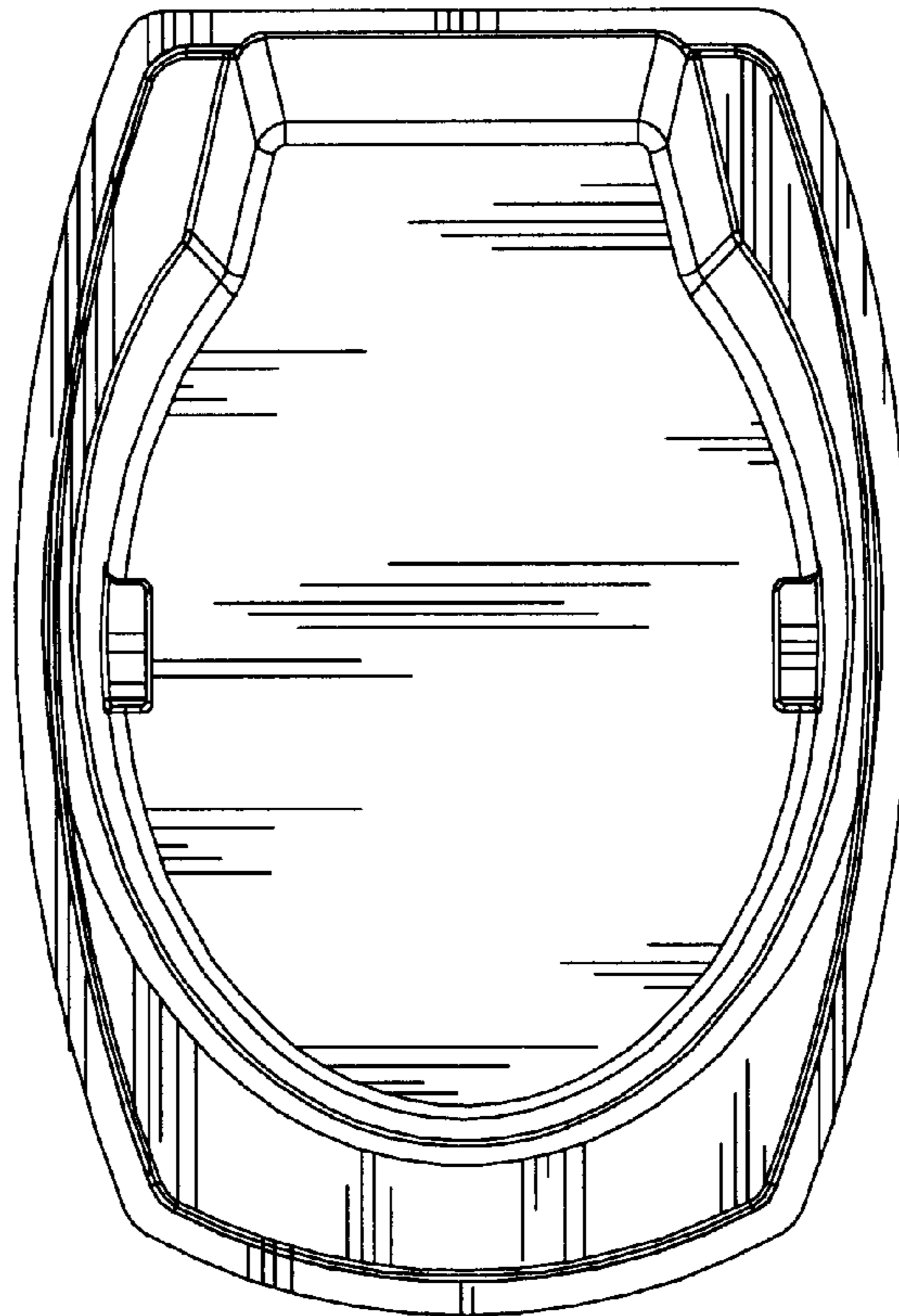


Figure 4

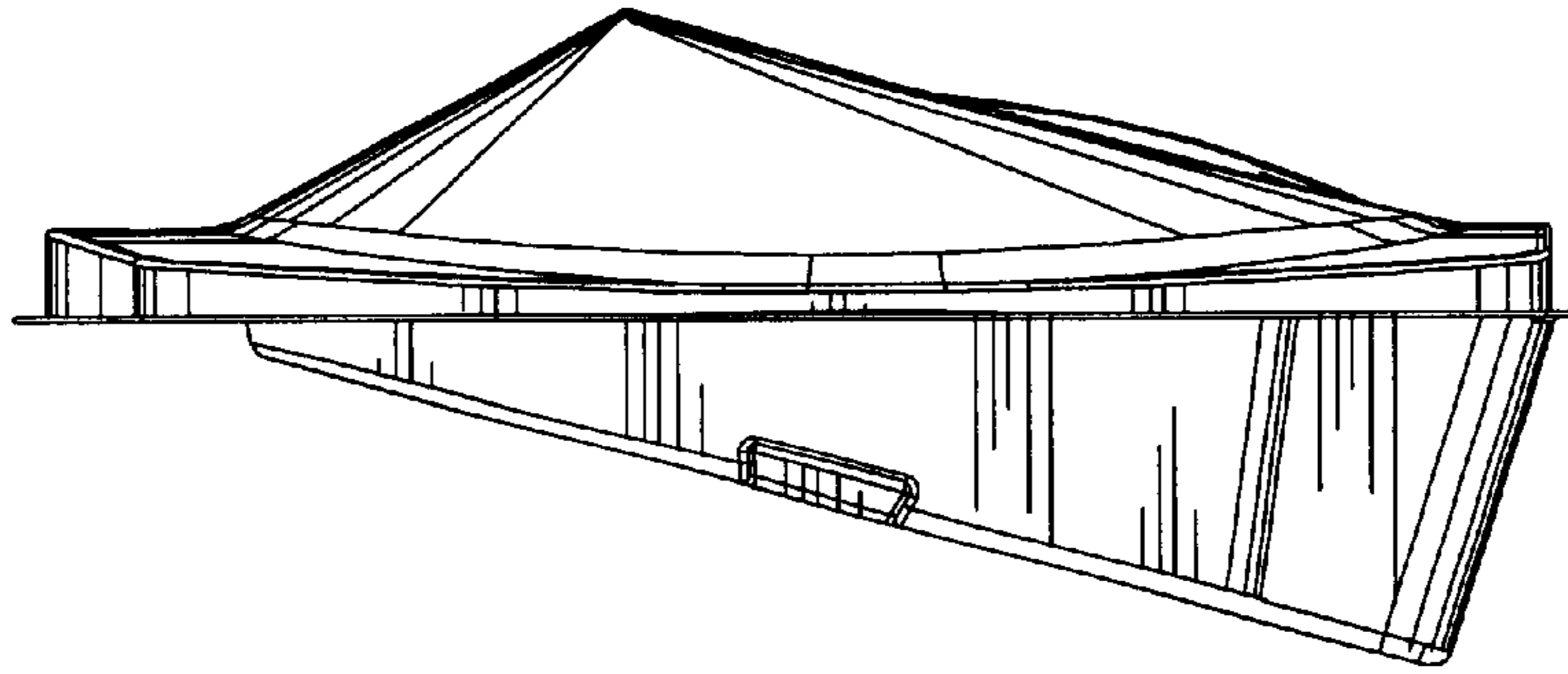


Figure 5

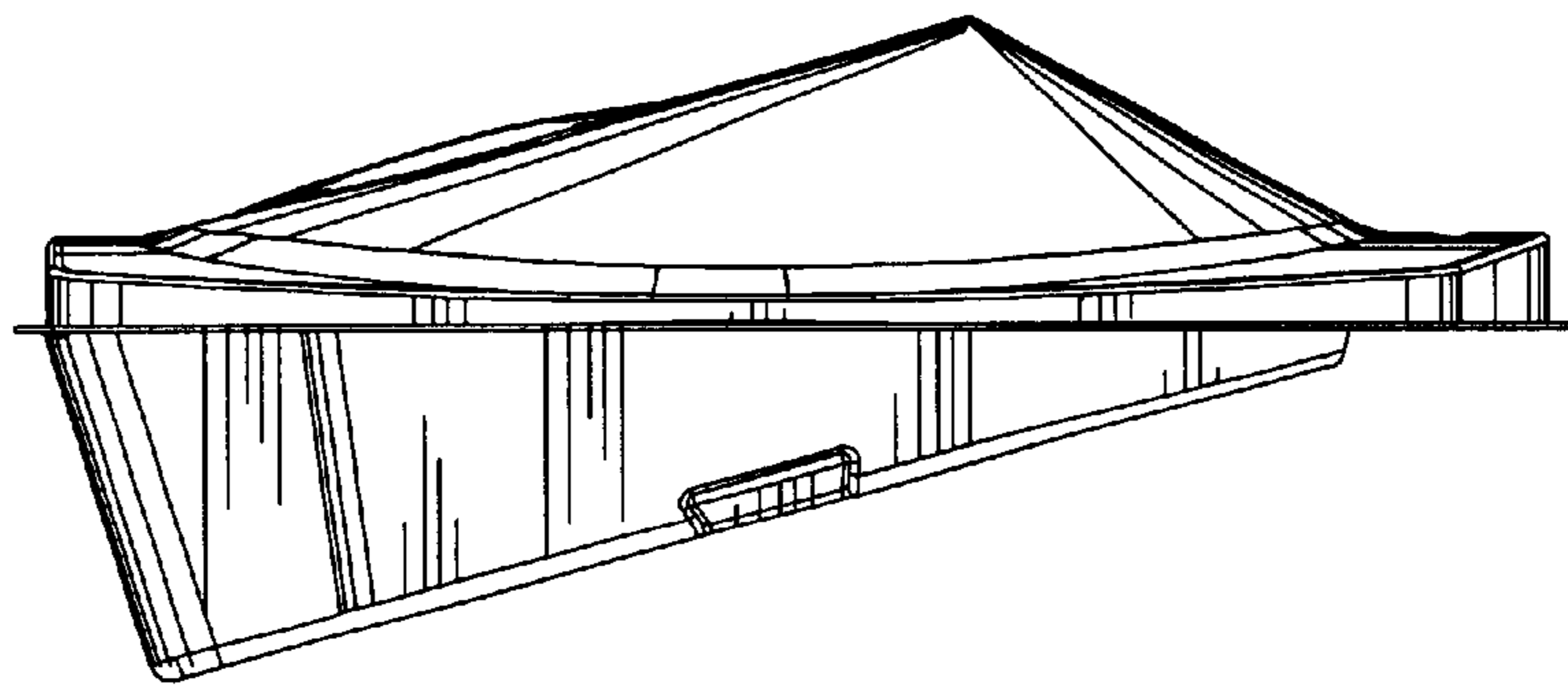


Figure 6

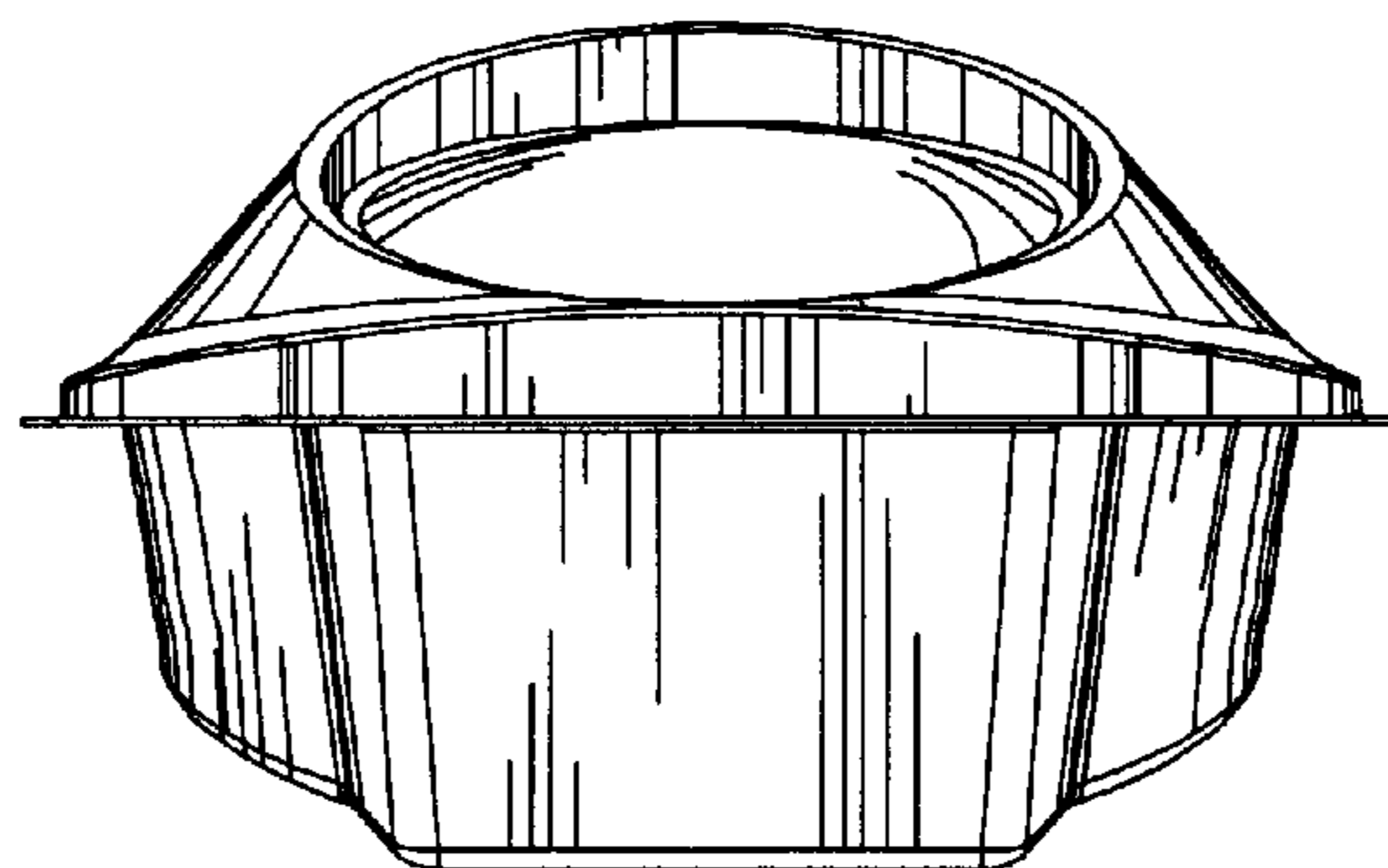


Figure 7