



US00D466398S

(12) **United States Design Patent**
DeLine

(10) **Patent No.: US D466,398 S**

(45) **Date of Patent: ** Dec. 3, 2002**

(54) **OBJECT HANGER**

(75) **Inventor: Kenneth E. DeLine, Fort Collins, CO (US)**

(73) **Assignee: Venture Management Alliance, LLC, Fort Collins, CO (US)**

(**) **Term: 14 Years**

5,069,411 A	12/1991	Murphy	248/476
5,069,412 A	12/1991	Jacob	248/493
D361,260 S	8/1995	Trentham	D8/354
5,443,238 A	8/1995	Mitchell	248/498
5,507,462 A	4/1996	Hickey	248/489
5,791,625 A	8/1998	Orser	248/495
5,906,349 A	5/1999	Roy	248/489
5,947,438 A	9/1999	Lemire	248/476
D438,536 S	* 3/2001	Willison et al.	D14/253
D450,567 S	* 11/2001	Holscher	D8/373

(21) **Appl. No.: 29/157,431**

(22) **Filed: Mar. 18, 2002**

(51) **LOC (7) Cl. 08-05**

(52) **U.S. Cl. D8/373**

(58) **Field of Search** D8/373, 367, 371,
D8/354, 380; 248/489, 301, 497, 493, 495,
300, 544, 490, 216.1, 340; 52/36.5; 211/87.01,
94.1; D14/253

(56) **References Cited**

U.S. PATENT DOCUMENTS

3,861,639 A	1/1975	Morrill	248/489
3,955,790 A	5/1976	Ballin	248/489
3,982,719 A	9/1976	Kilborne	248/489
4,026,510 A	5/1977	Holmes	248/493
4,069,998 A	1/1978	Rytting	248/476
4,171,117 A	10/1979	Prochaska	248/495
4,225,108 A	* 9/1980	Jaroche	248/340
4,244,549 A	1/1981	Oldfield	248/494
4,333,625 A	6/1982	Haug	248/216.1
4,384,648 A	5/1983	Hart et al.	206/527
D275,730 S	10/1984	Melley	D8/373
4,641,807 A	2/1987	Phillips	248/480
4,645,165 A	2/1987	Raap	248/476
4,775,129 A	10/1988	Gleisten	248/493
4,830,325 A	* 5/1989	Anderson	248/216.1
4,883,247 A	11/1989	Crandall	248/542
5,048,788 A	9/1991	Lorincz	248/477

OTHER PUBLICATIONS

PCT application, PCT/US01/09563, entitled "Compression Enhanced Self-Interlocking Hanger System", filed Mar. 23, 2001.

U.S. Design application, 29/149,734, entitled "Self-Interlocking Hanger System", filed Oct. 15, 2001.

U.S. National Phase application, 09/959,130, entitled "Compression Enhanced Self-Interlocking Hanger System", filed Oct. 15, 2001.

U.S. Provisional application, 60/191,993, entitled "A Hanger System", filed Mar. 24, 2000.

* cited by examiner

Primary Examiner—Pamela Burgess

(74) *Attorney, Agent, or Firm*—Santangelo Law Offices, P.C.

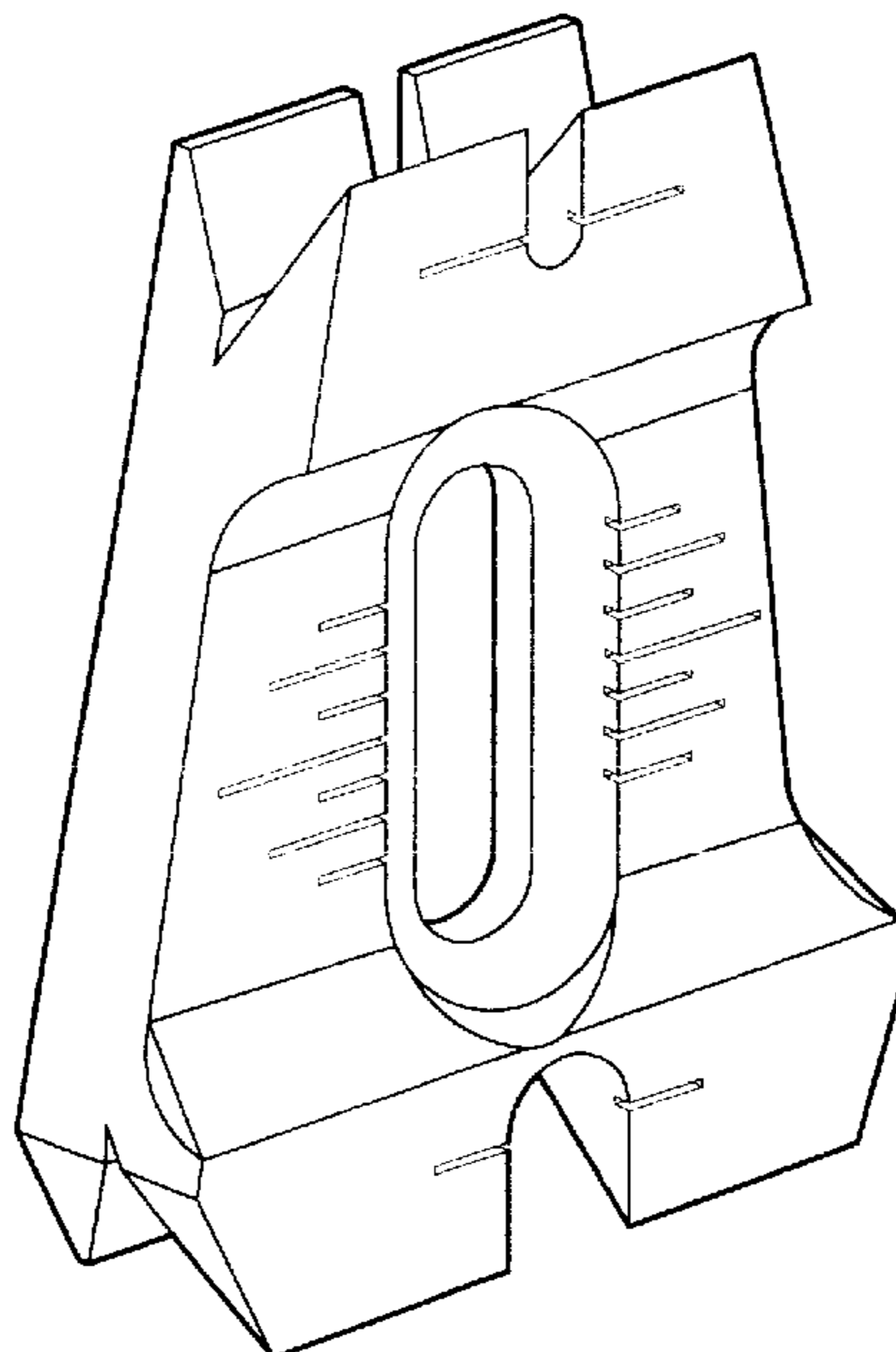
(57) **CLAIM**

The ornamental design for an object hanger, as shown and described.

DESCRIPTION

FIG. 1 is a front, top, left side perspective view of an object hanger showing my new design; and, FIG. 2 is a back, top, right side perspective view thereof.

1 Claim, 2 Drawing Sheets



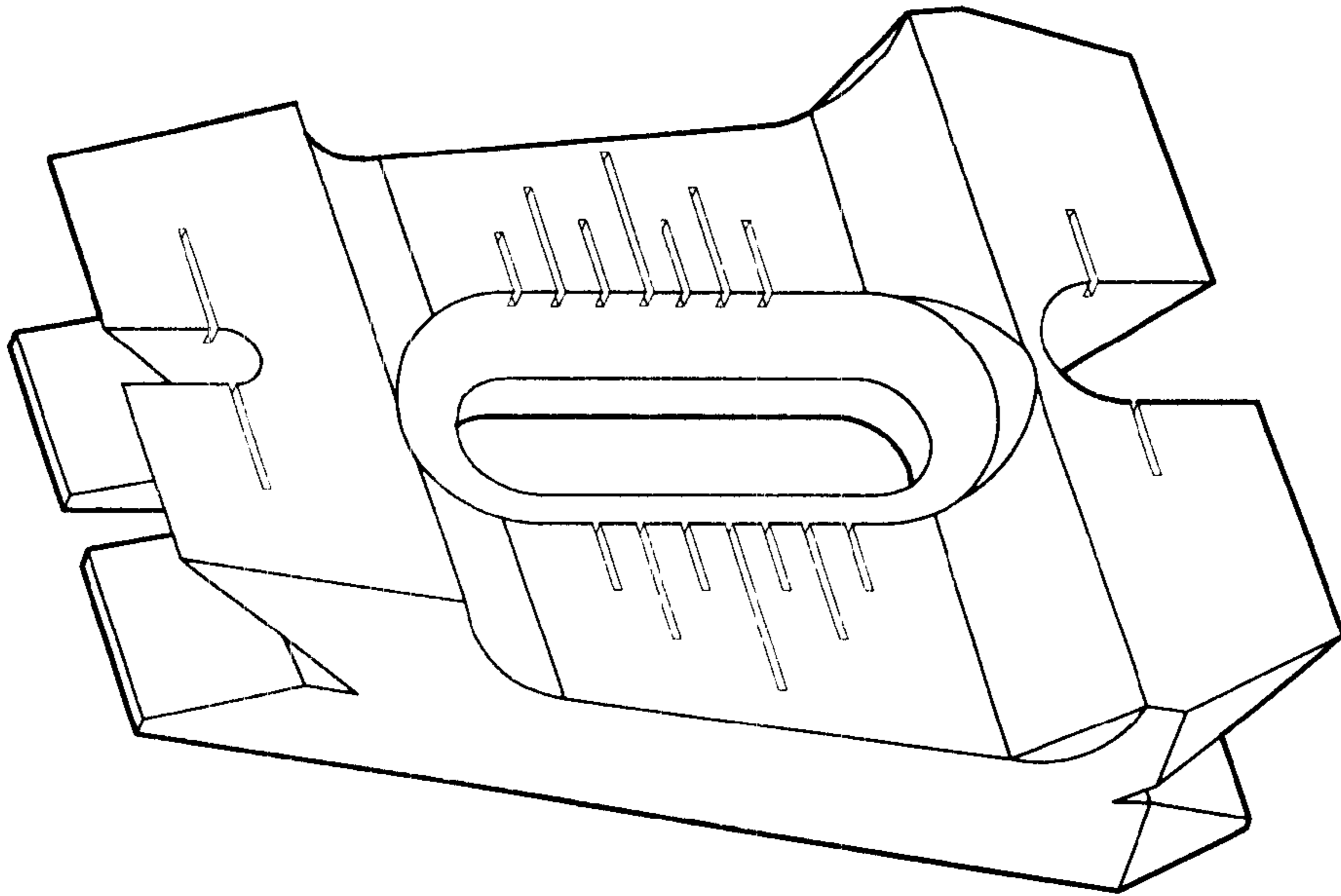


Fig. 1

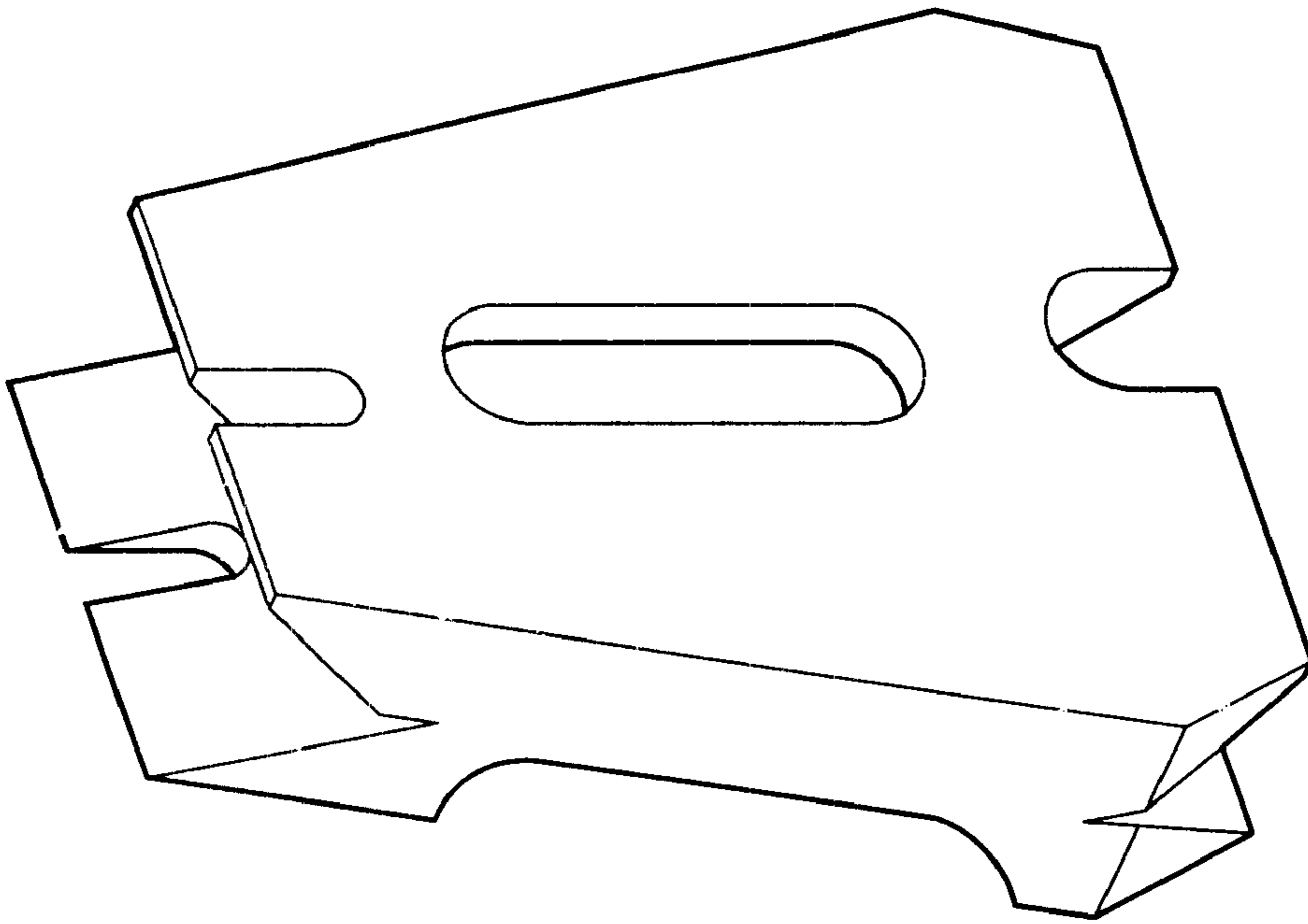


Fig. 2