



US00D466397S

(12) **United States Design Patent**  
**Marwick**

(10) **Patent No.:** **US D466,397 S**

(45) **Date of Patent:** **\*\* Dec. 3, 2002**

(54) **PORTION OF AN EQUIPMENT HOLDER**

D391,946 S \* 3/1998 Rosen ..... D14/452  
6,282,264 B1 \* 8/2001 Smith et al. .... 378/167

(75) Inventor: **Lee K. Marwick**, London (GB)

\* cited by examiner

(73) Assignee: **Technology Desking Limited**, London (GB)

*Primary Examiner*—Pamela Burgess

(\*\*) Term: **14 Years**

(74) *Attorney, Agent, or Firm*—Schwegman, Lundberg, Woessner & Kluth, P.A.

(21) Appl. No.: **29/148,410**

(57) **CLAIM**

(22) Filed: **Sep. 19, 2001**

The ornamental design for a portion of an equipment holder, as shown and described.

(51) **LOC (7) Cl.** ..... **08-05**

**DESCRIPTION**

(52) **U.S. Cl.** ..... **D8/373; D8/349**

(58) **Field of Search** ..... D8/373, 354, 363, D8/380, 349; 211/13.1, 134, 144, 150, 87.01, 168, 171; 248/593, 595, 596, 317, 324, 924, 309.1, 309.2, 311.2

FIG. 1 is a perspective view of a portion of an equipment holder showing my new design;

FIG. 2 is a top plan view thereof, in an extended position;

FIG. 3 is a top plan view thereof, in a half-extended position;

FIG. 4 is a top plan view thereof, in a retracted position;

FIG. 5 is a side elevational view thereof, in an extended position, the undisclosed side being a mirror image; and,

FIG. 6 is a bottom plan view thereof.

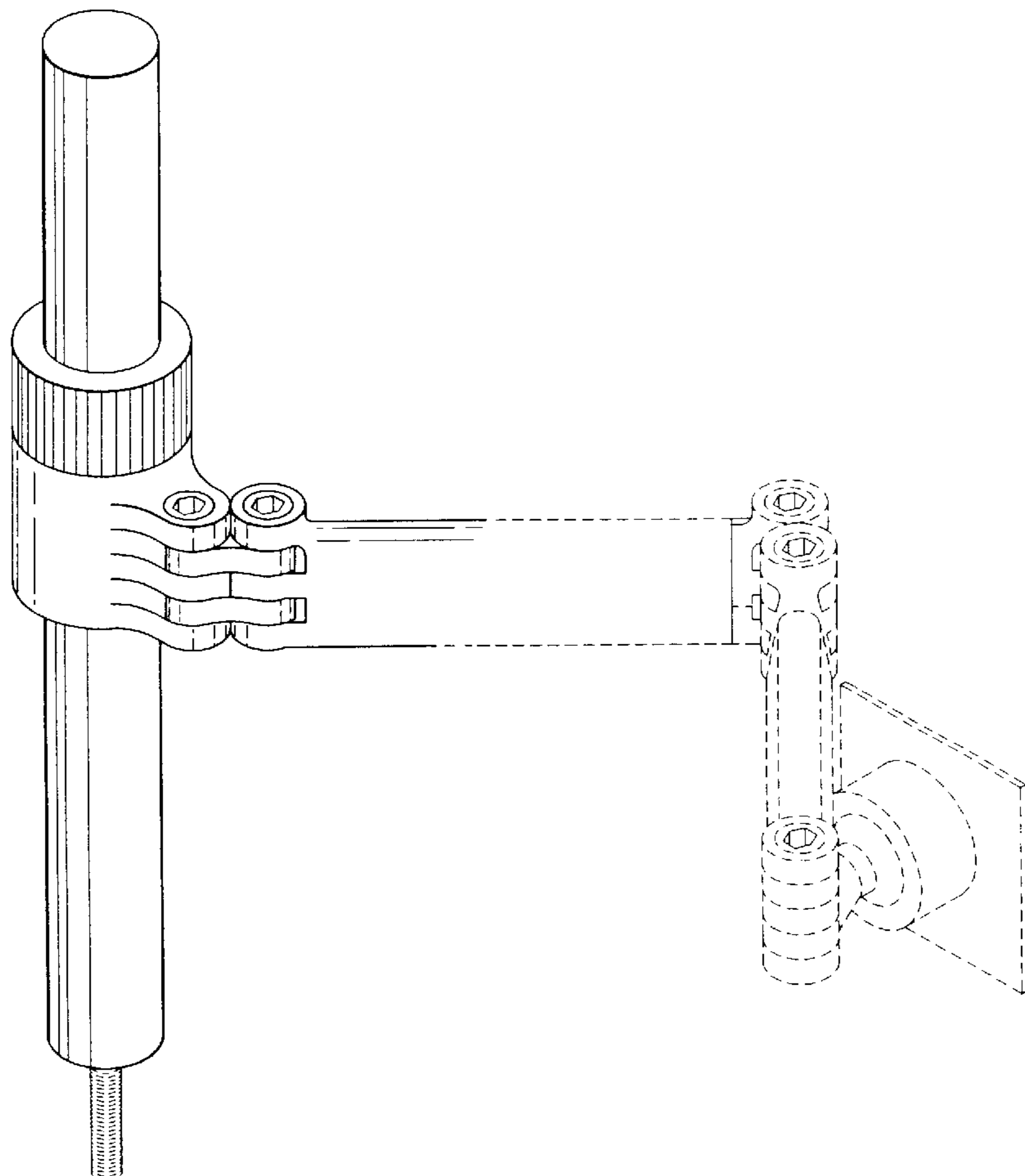
The broken lines shown are for illustrative purposes only and form no part of the claimed design.

(56) **References Cited**

**U.S. PATENT DOCUMENTS**

- 3,417,953 A \* 12/1968 Hillquest et al. .... 248/284.1
- 3,426,190 A \* 2/1969 Bobrick ..... 248/284.1
- D340,402 S \* 10/1993 Holt ..... D8/373
- D374,393 S \* 10/1996 Beasley ..... D8/373

**1 Claim, 3 Drawing Sheets**



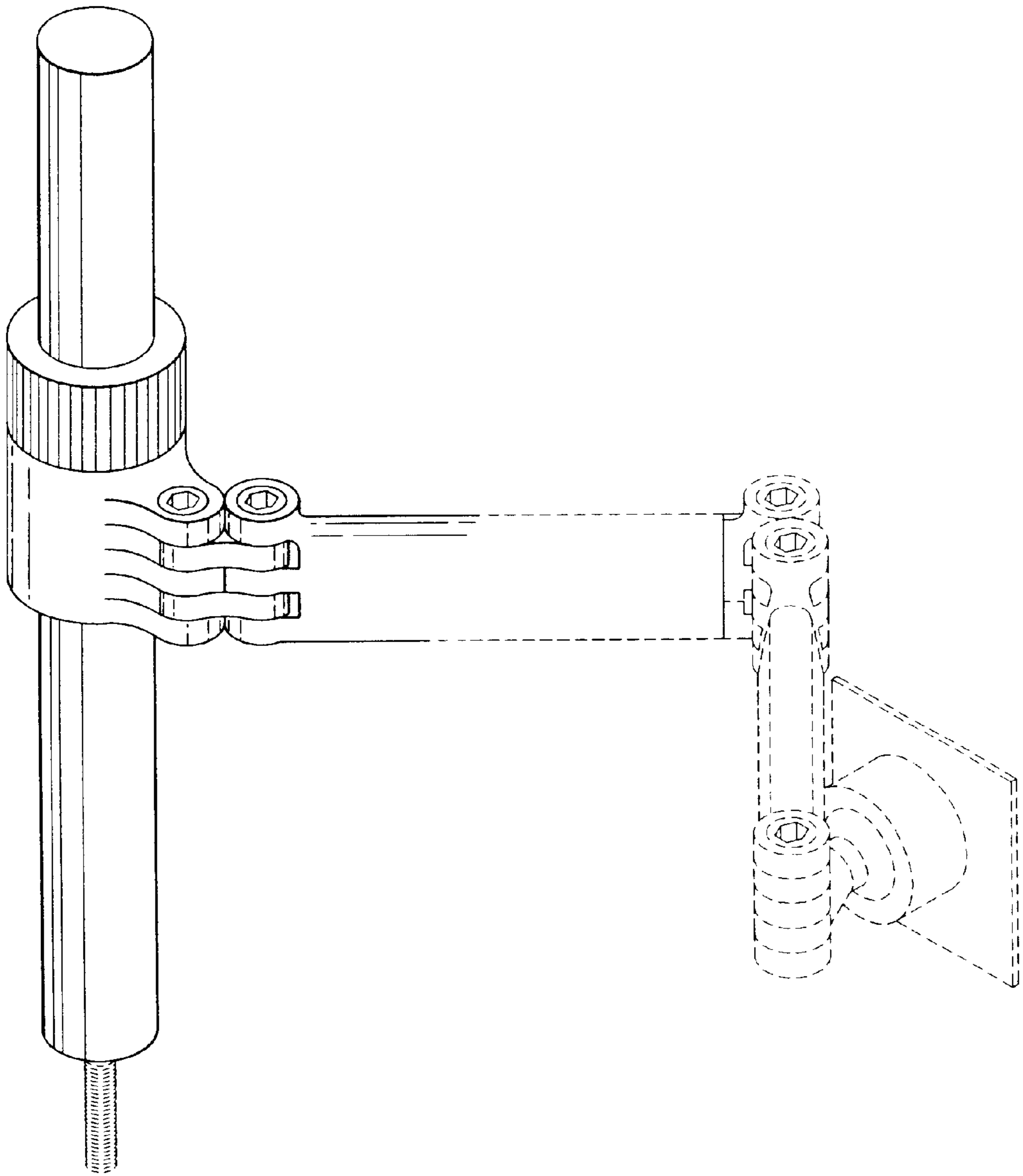


Fig.1

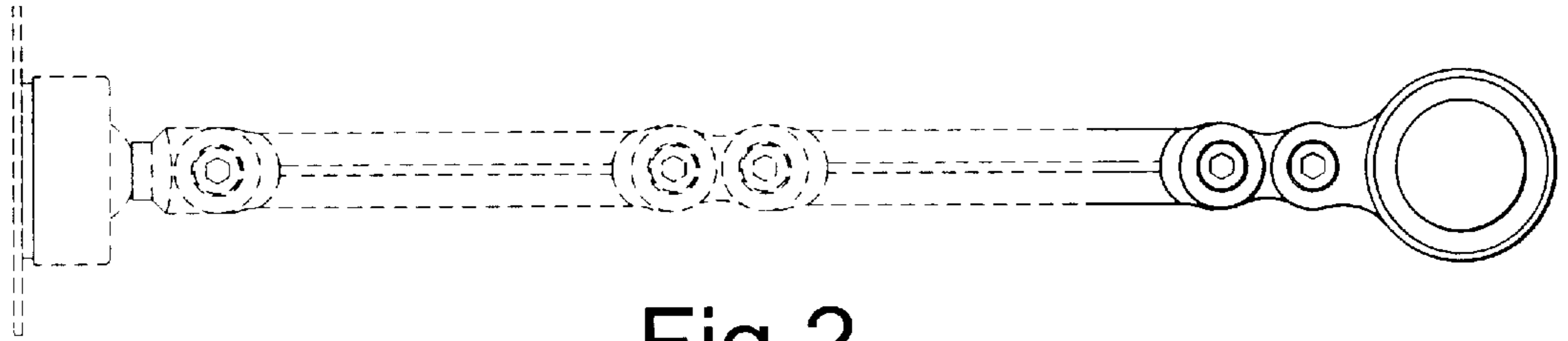


Fig.2

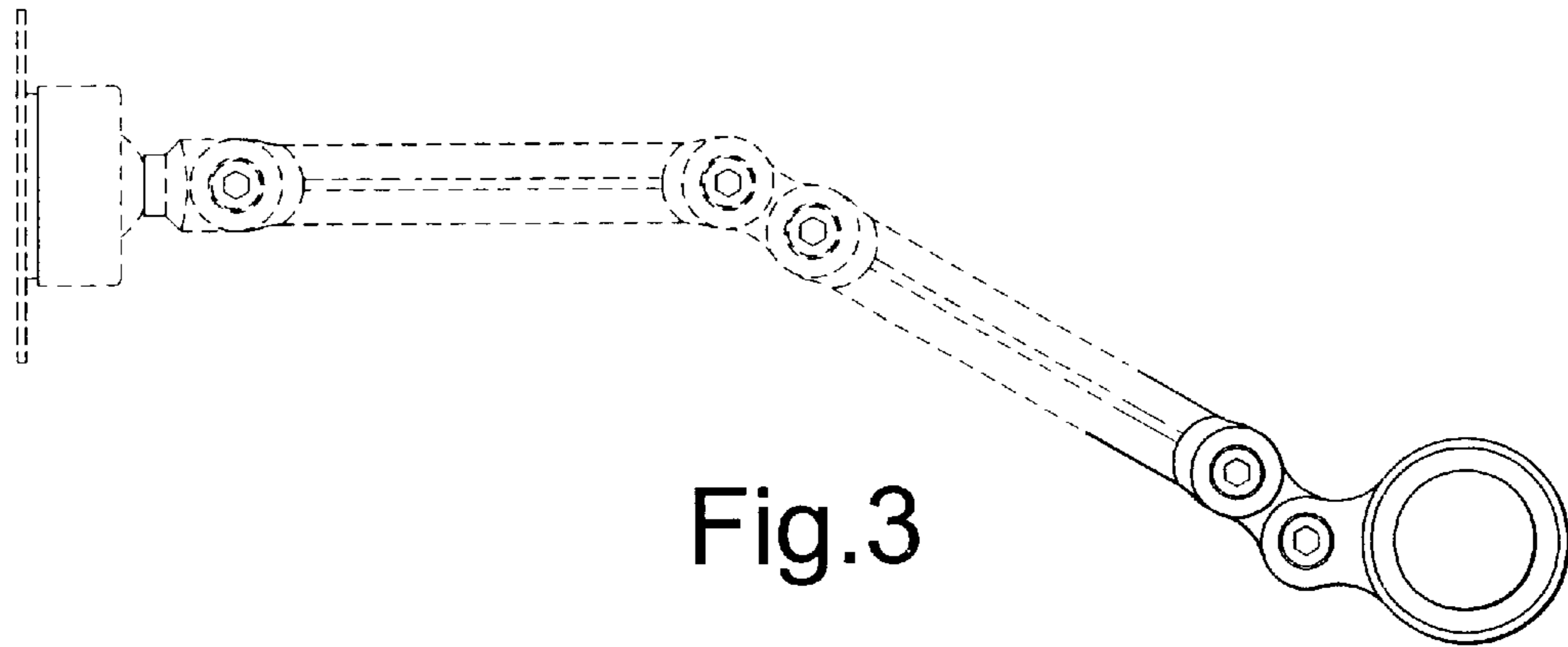


Fig.3

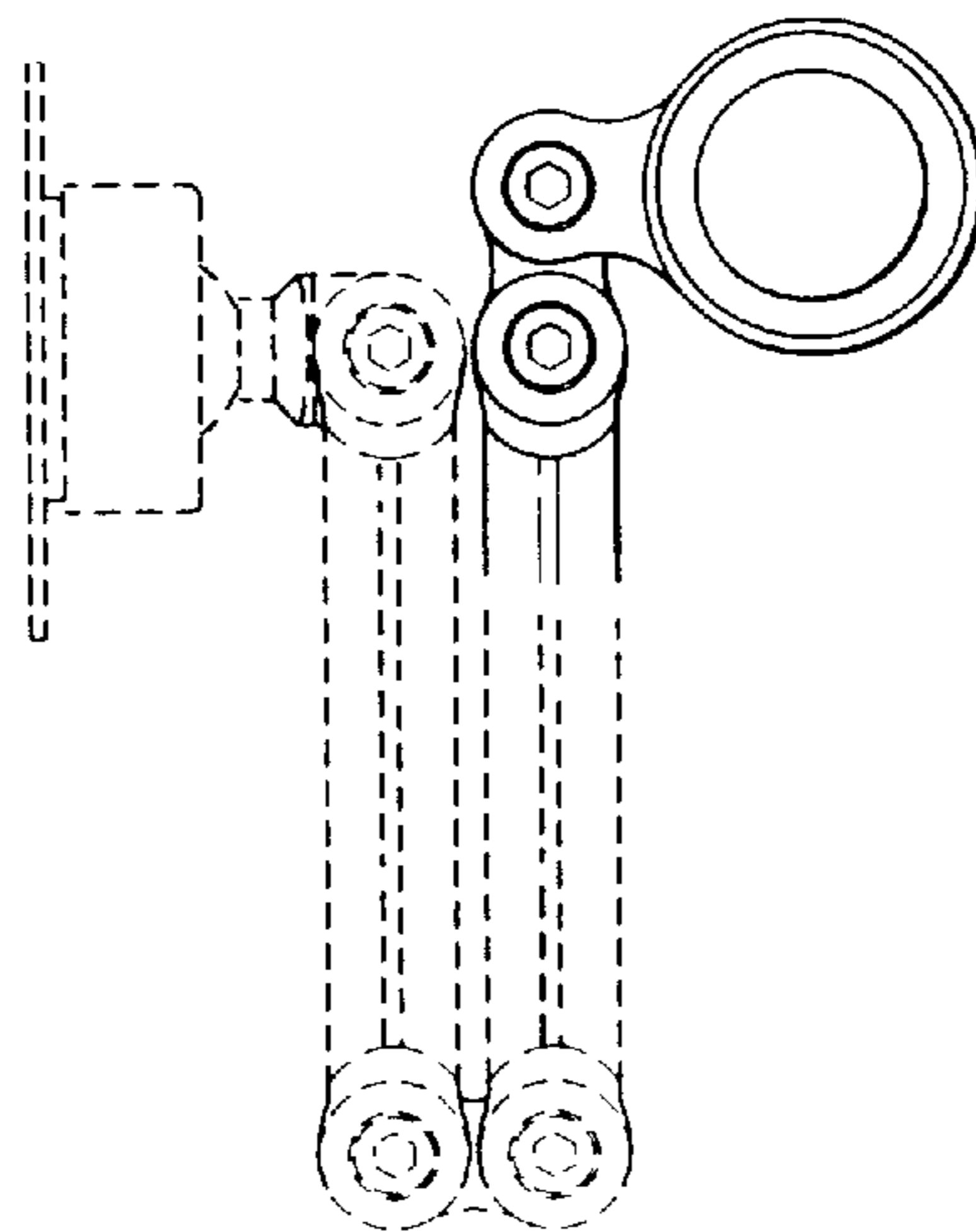


Fig.4

