



US00D466396S

(12) **United States Design Patent**  
**Snell**

(10) **Patent No.:** **US D466,396 S**

(45) **Date of Patent:** **\*\* Dec. 3, 2002**

(54) **OVER THE DOOR RACK**

(75) Inventor: **Russell Benton Snell**, Bentleyville, OH (US)

(73) Assignee: **InterDesign, Inc.**, Solon, OH (US)

(\*\*) Term: **14 Years**

(21) Appl. No.: **29/154,315**

(22) Filed: **Jan. 22, 2002**

(51) **LOC (7) Cl.** ..... **08-05**

(52) **U.S. Cl.** ..... **D8/372; D6/513**

(58) **Field of Search** ..... **D8/372, 367, 373;**  
**248/301-304; D6/513, 567, 566, 323, 572;**  
**211/123**

(56) **References Cited**

**U.S. PATENT DOCUMENTS**

D355,841 S	*	2/1995	Goodman et al.	.....	D8/372
D397,565 S	*	9/1998	Klein et al.	.....	D6/513
D421,355 S	*	3/2000	Goodman et al.	.....	D6/513
D433,316 S	*	11/2000	Snell	.....	D8/372

\* cited by examiner

*Primary Examiner*—Pamela Burgess  
(74) *Attorney, Agent, or Firm*—D. Peter Hochberg; Katherine R. Vieyra; William H. Holt

(57) **CLAIM**

The ornamental design for an over the door rack, as shown and described.

**DESCRIPTION**

FIG. 1 is a perspective view of the over the door rack according to the invention;  
FIG. 2 is a top view of the over the door rack as shown in FIG. 1;  
FIG. 3 is a front view of the over the door rack as shown in FIG. 1;  
FIG. 4 is a side view of the over the door rack as shown in FIG. 1;  
FIG. 5 is a rear view of the over the door rack as shown in FIG. 1;  
FIG. 6 is a side view of the over the door rack as shown in FIG. 1, viewed from the opposite side as that shown in FIG. 4; and,  
FIG. 7 is a bottom view of the over the door rack as shown in FIG. 1.

**1 Claim, 3 Drawing Sheets**

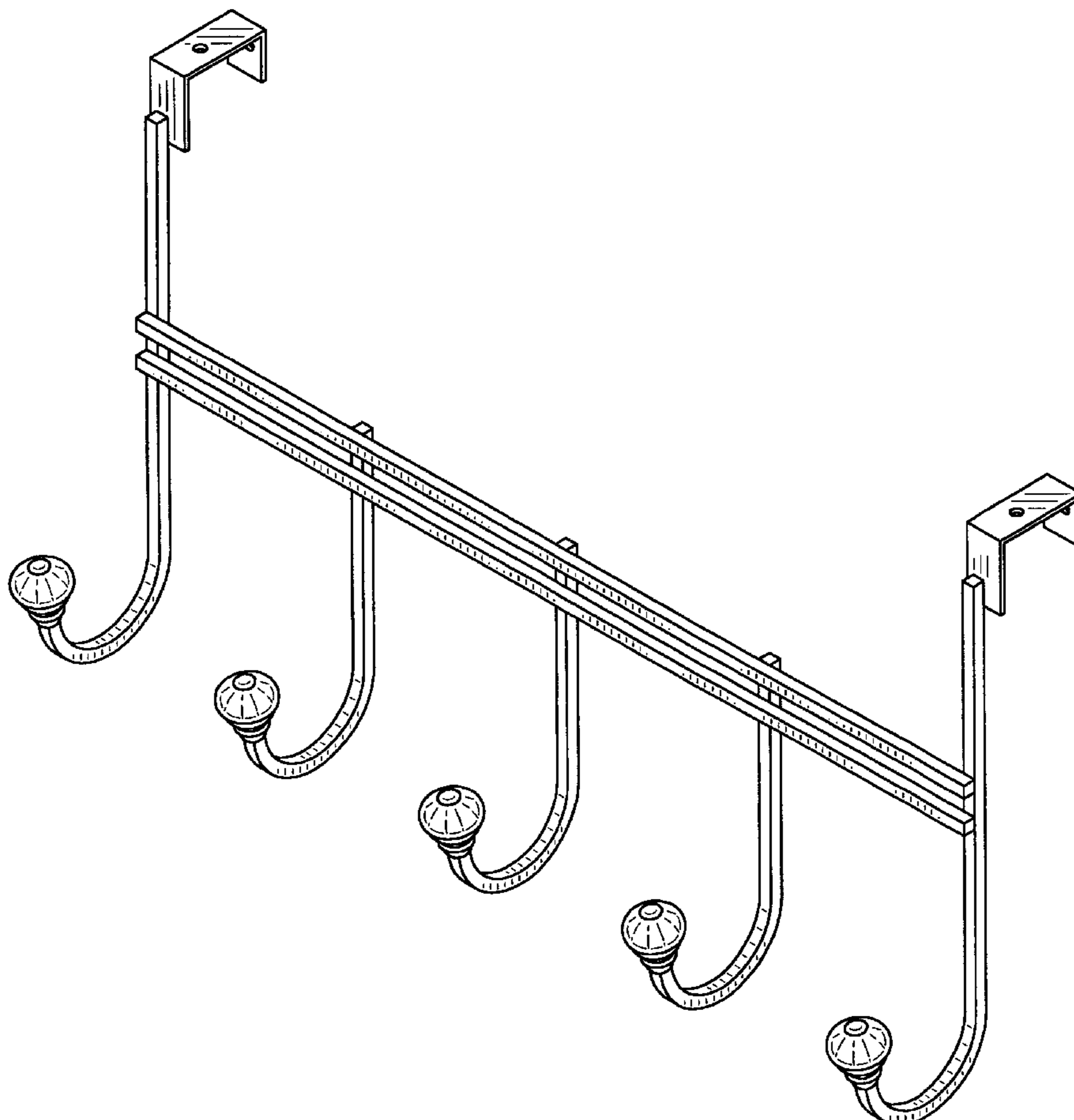
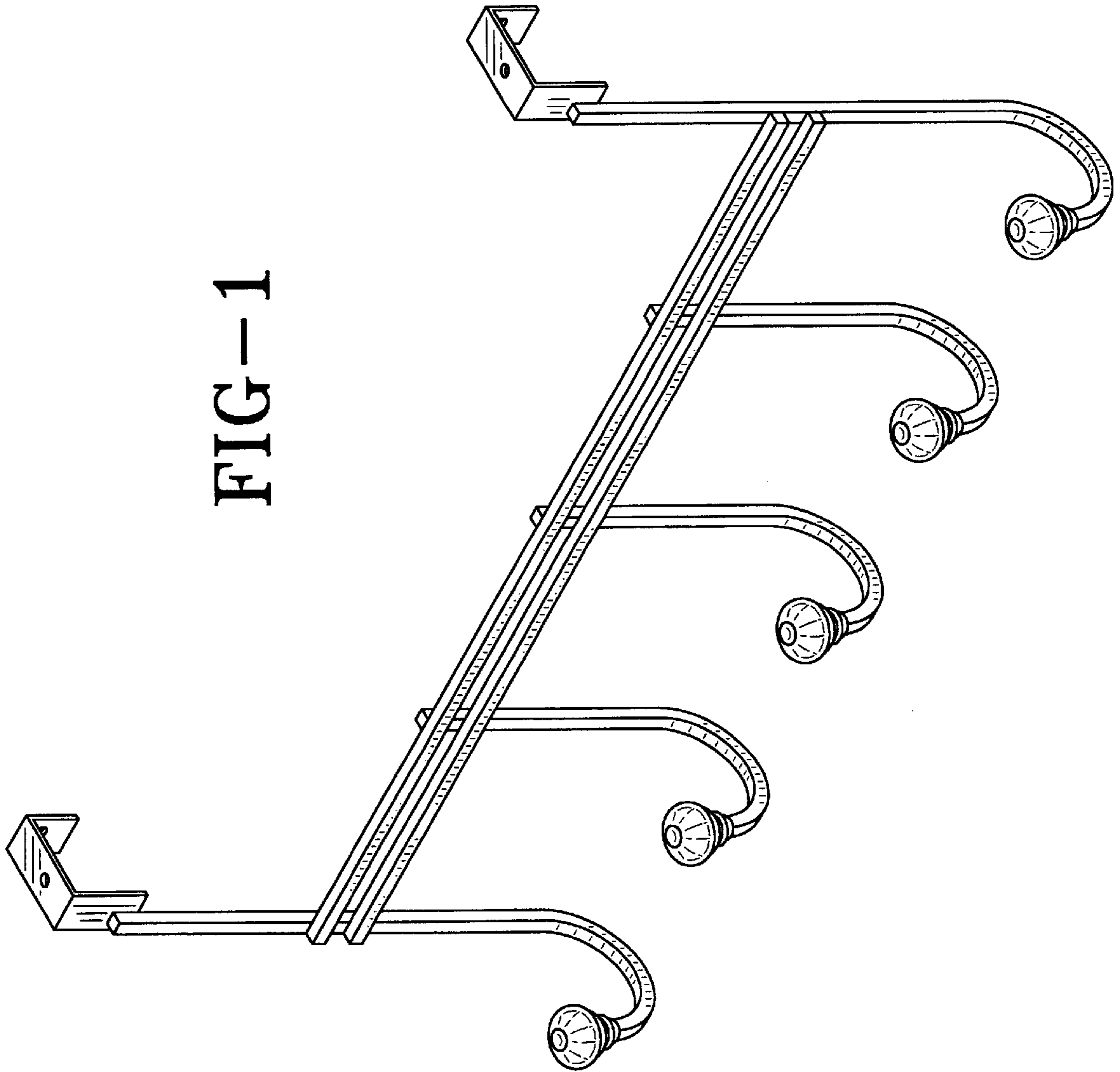


FIG-1



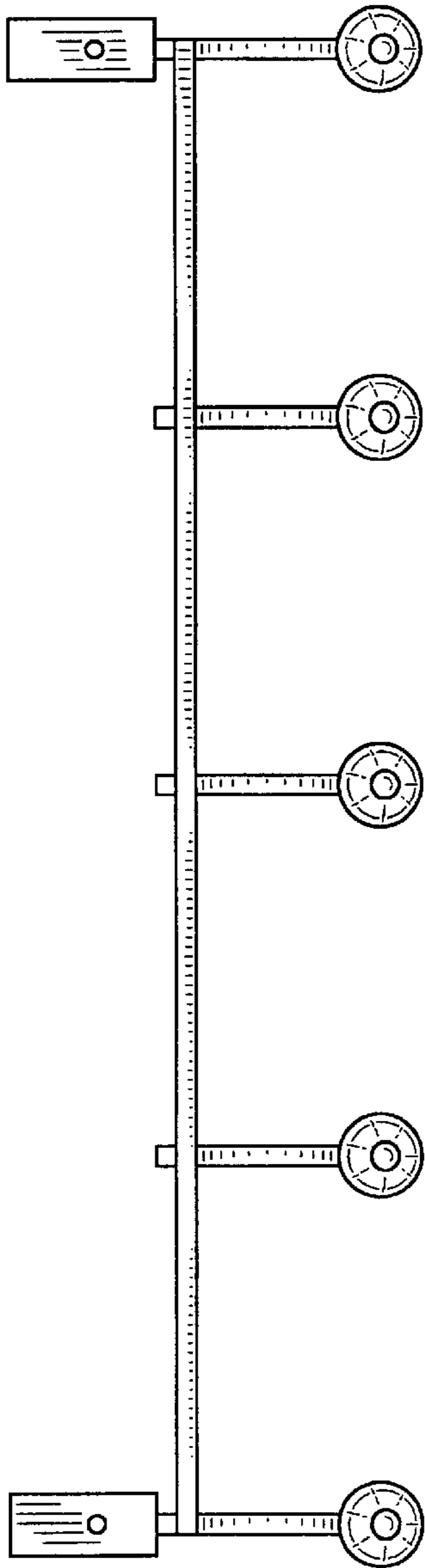


FIG-2

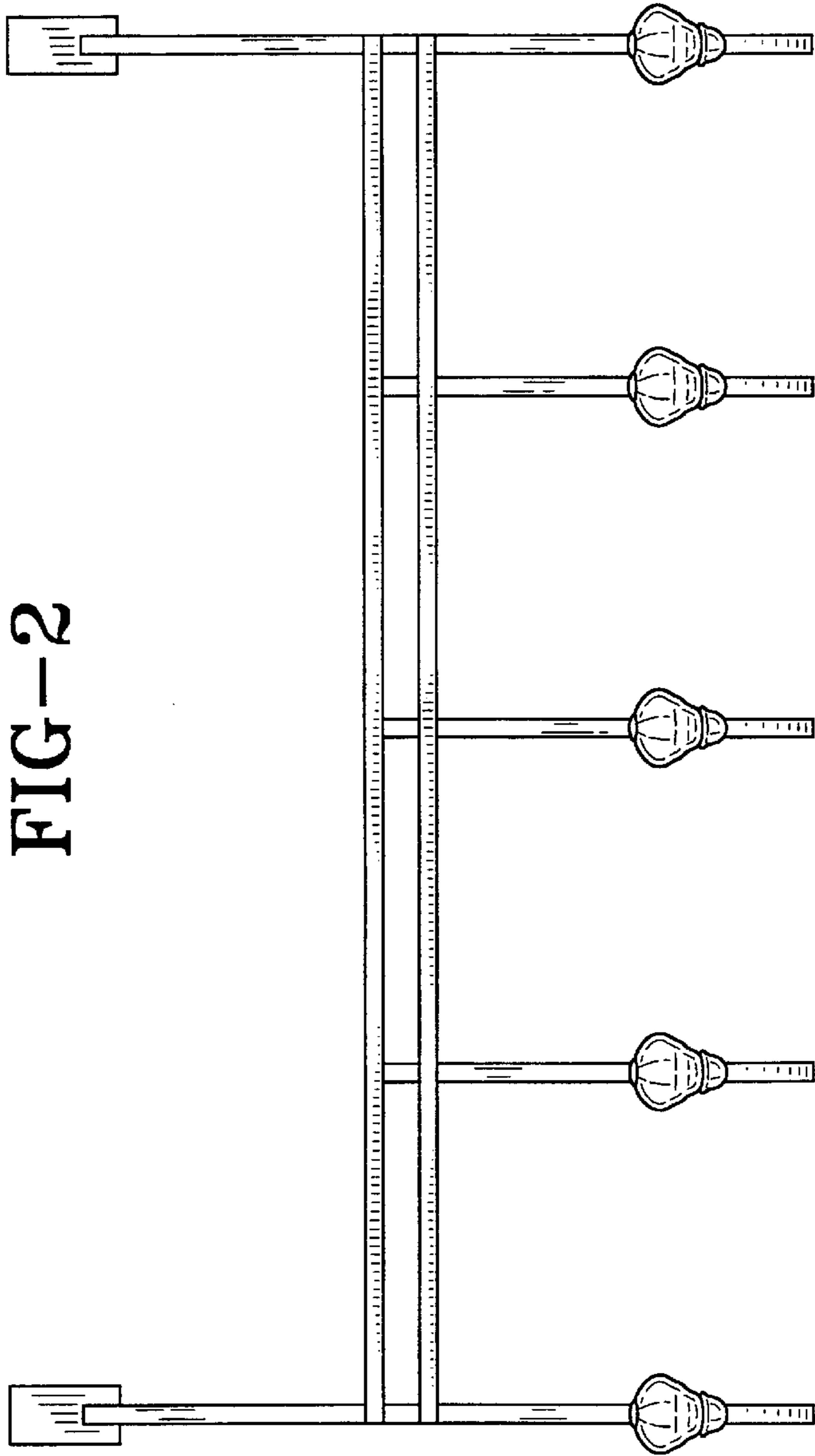


FIG-3

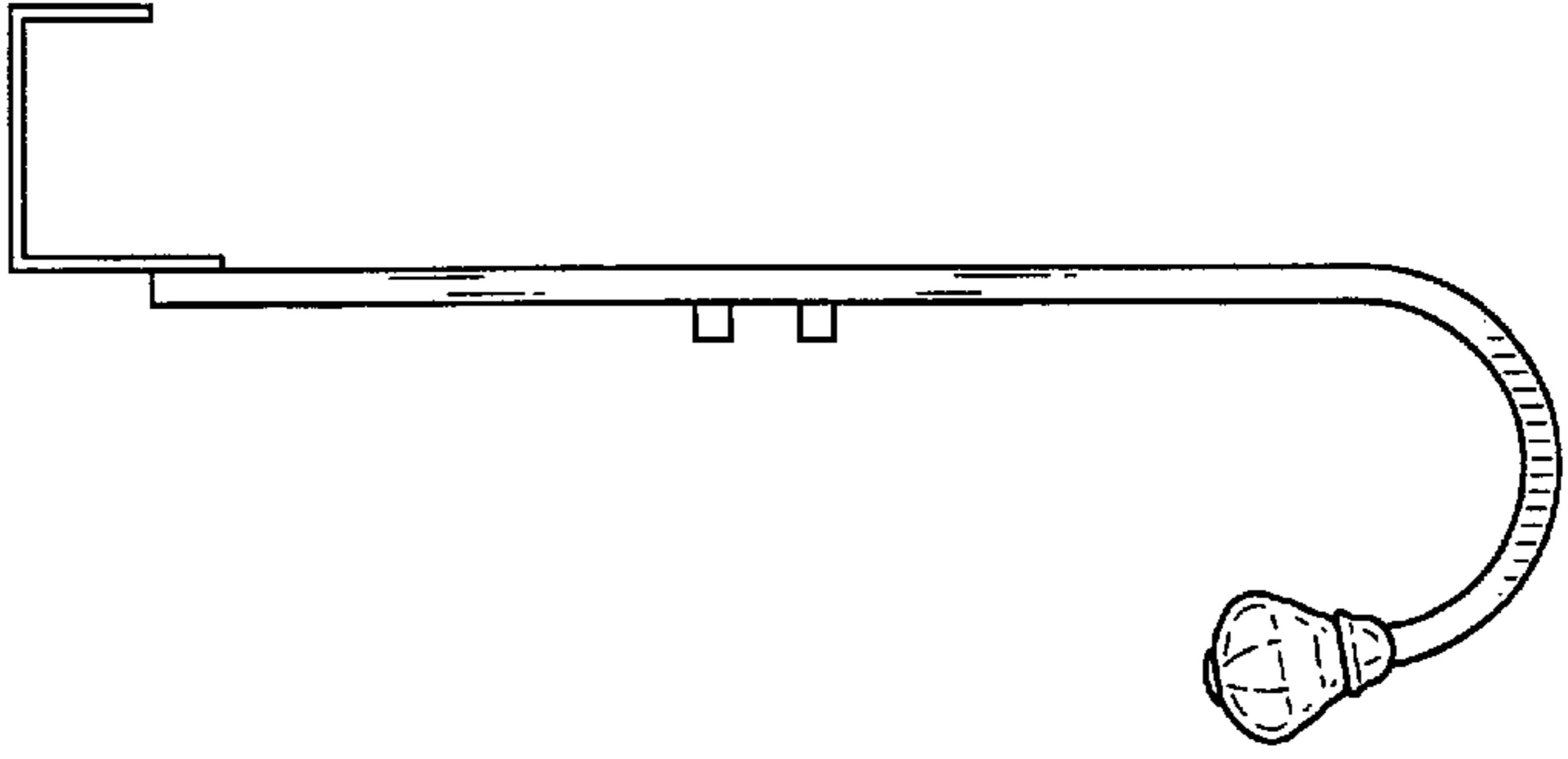


FIG-4

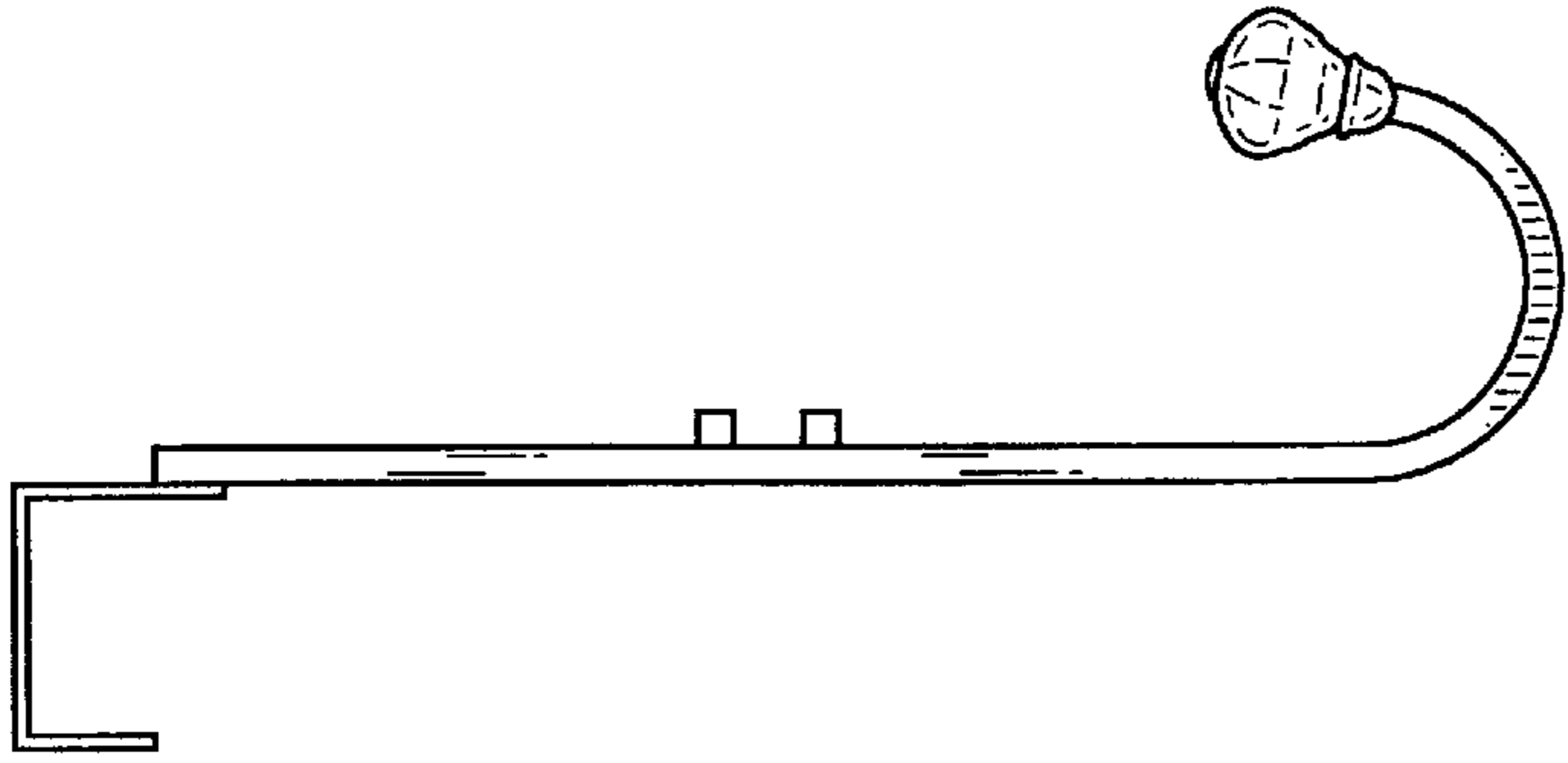


FIG-6

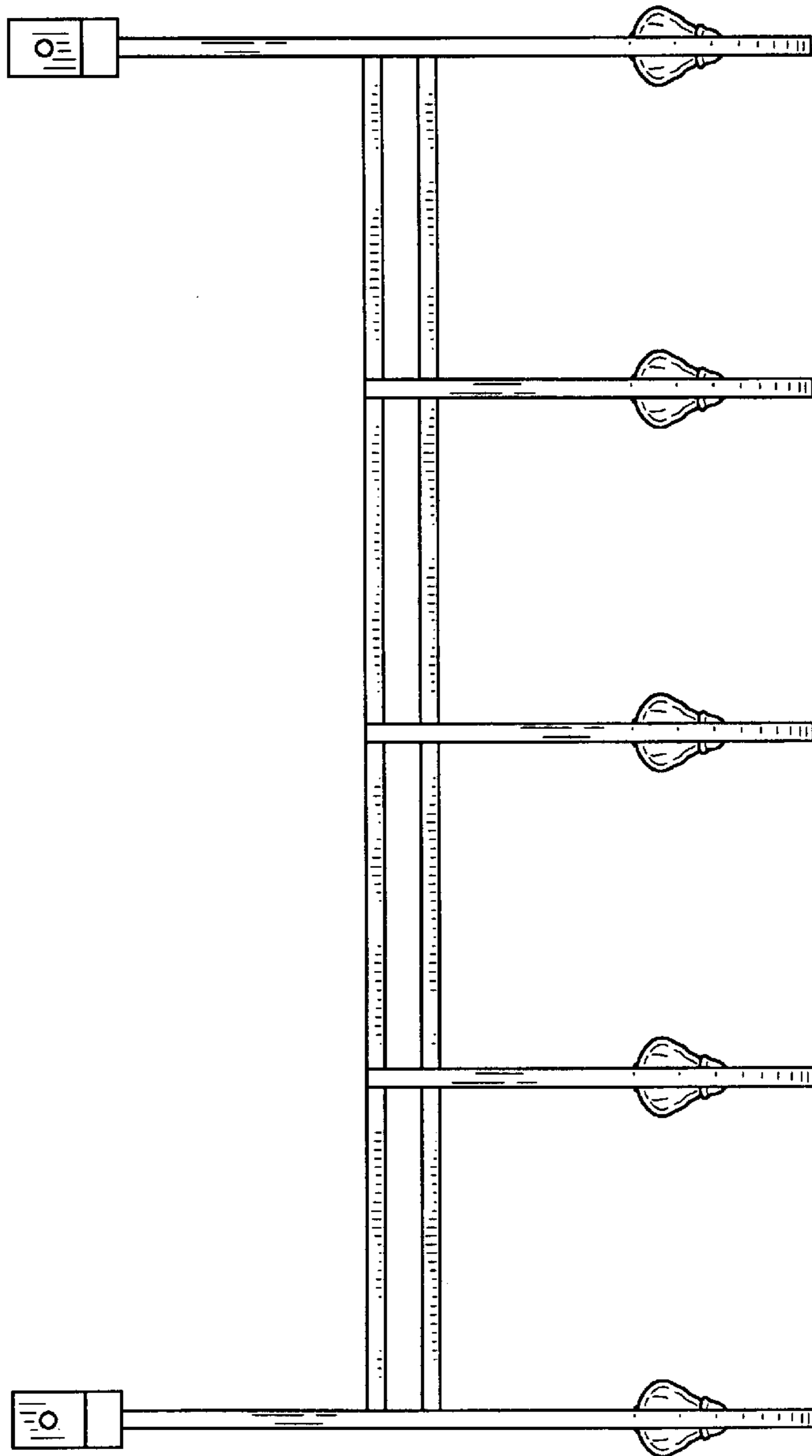


FIG-5

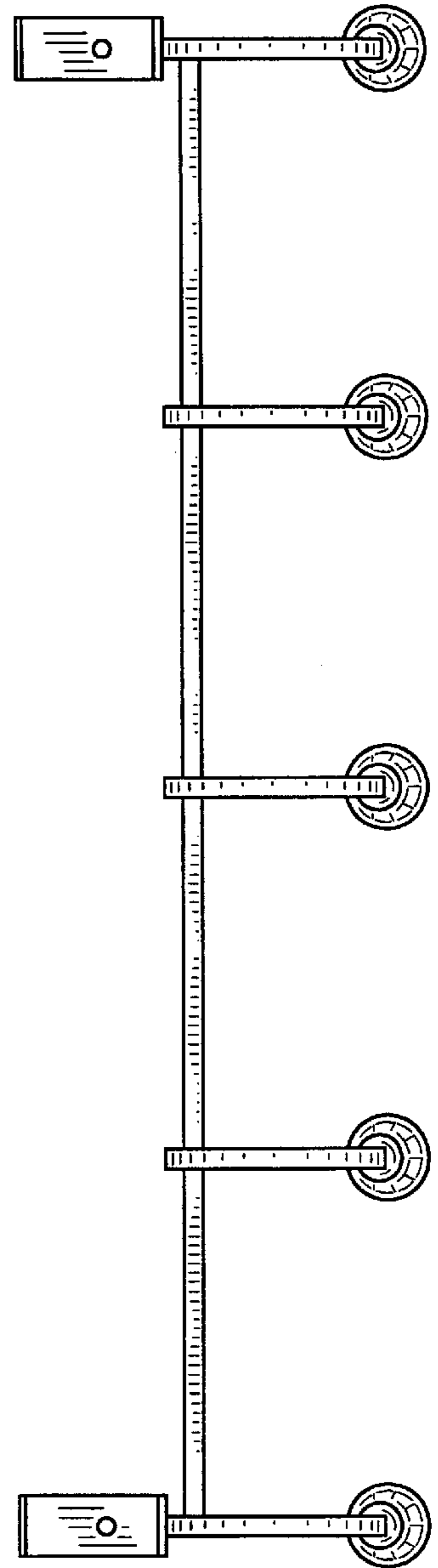


FIG-7