



US00D466395S

(12) **United States Design Patent**
Van Houten, II

(10) **Patent No.:** **US D466,395 S**

(45) **Date of Patent:** **** Dec. 3, 2002**

(54) **POLE STABILIZER**

(75) **Inventor:** **Richard Van Houten, II**, 1067
Westward La., Costa Mesa, CA (US)
92627

(73) **Assignee:** **Richard Van Houten, II**, Costa Mesa,
CA (US)

(**) **Term:** **14 Years**

(21) **Appl. No.:** **29/151,690**

(22) **Filed:** **Dec. 4, 2001**

(51) **LOC (7) Cl.** **08-05**

(52) **U.S. Cl.** **D8/354**

(58) **Field of Search** D8/349, 354, 355,
D8/363, 373, 380, 394, 395, 396; D22/147;
224/200, 247, 922; 248/200, 201, 205.1,
205.4, 207, 213.2, 214, 229.14, 229.24,
231.61, 514, 520, 534, 535, 538; 43/21.2

(56) **References Cited**

U.S. PATENT DOCUMENTS

3,273,766 A * 9/1966 Cosentino 224/247
3,367,056 A * 2/1968 Johnson D8/394

3,372,510 A * 3/1968 Arsenault 43/23
3,903,634 A * 9/1975 Miyamae 43/21.2
4,014,129 A * 3/1977 Capra 43/23
4,407,089 A * 10/1983 Miller 43/21.2
4,624,069 A * 11/1986 Schneider 43/21.1
4,901,970 A * 2/1990 Moss et al. 248/514
5,390,438 A * 2/1995 Warren 43/23
D374,062 S * 9/1996 Carter D22/147
6,065,240 A * 5/2000 Paddock 43/21.2
6,295,755 B1 * 10/2001 Macaluso 43/21.2

* cited by examiner

Primary Examiner—Doris V. Coles

Assistant Examiner—Elizabeth A. Albert

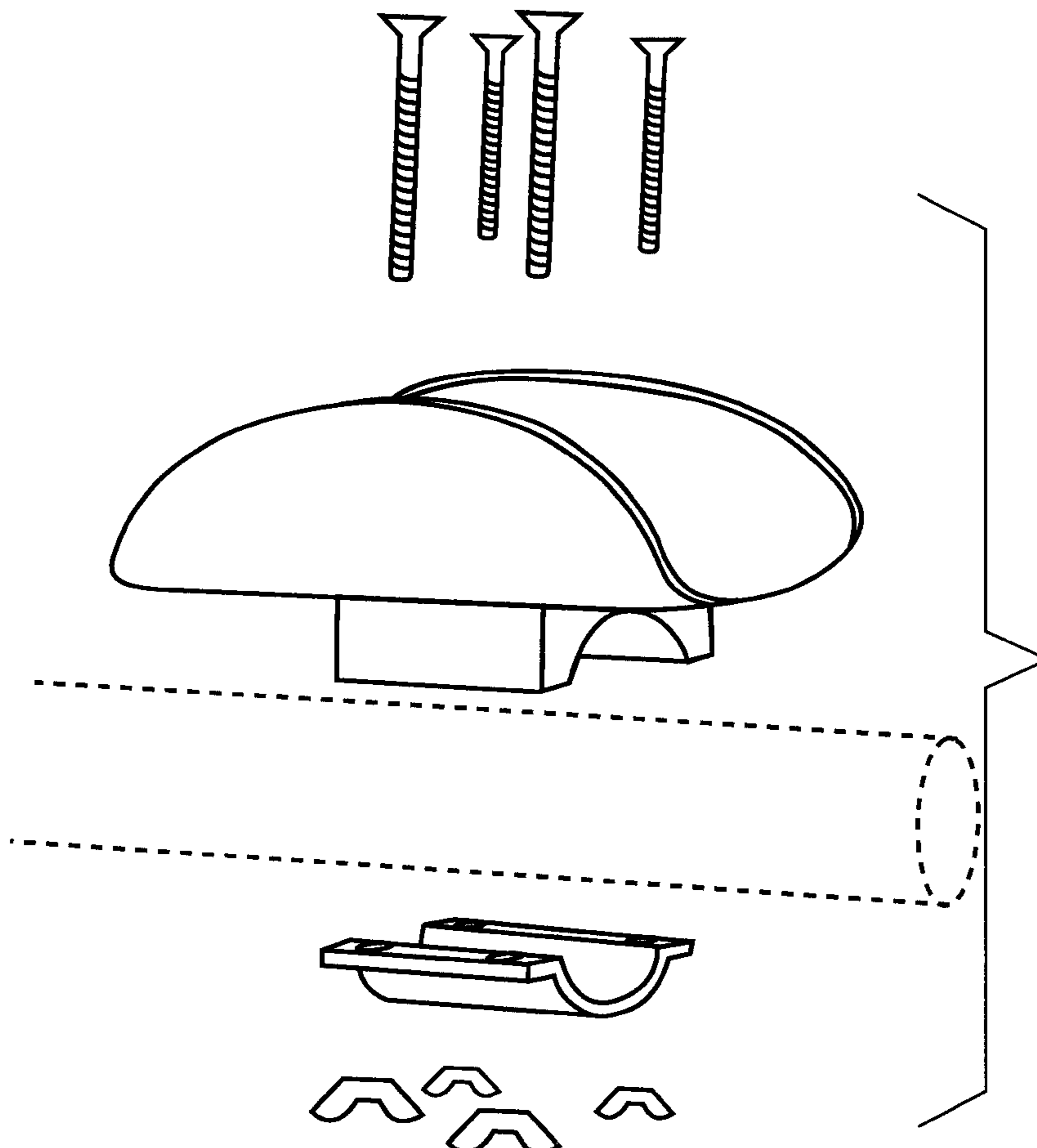
(57) **CLAIM**

The ornamental design for a pole stabilizer, as shown.

DESCRIPTION

FIG. 1 is a front side perspective exploded view of a pole stabilizer showing my new design; and, FIG. 2 is an enlarged front exploded view of FIG. 1. The broken lines showing the pole as an environment in the drawings are for illustrative purposes only and form no part of the claimed design.

1 Claim, 2 Drawing Sheets



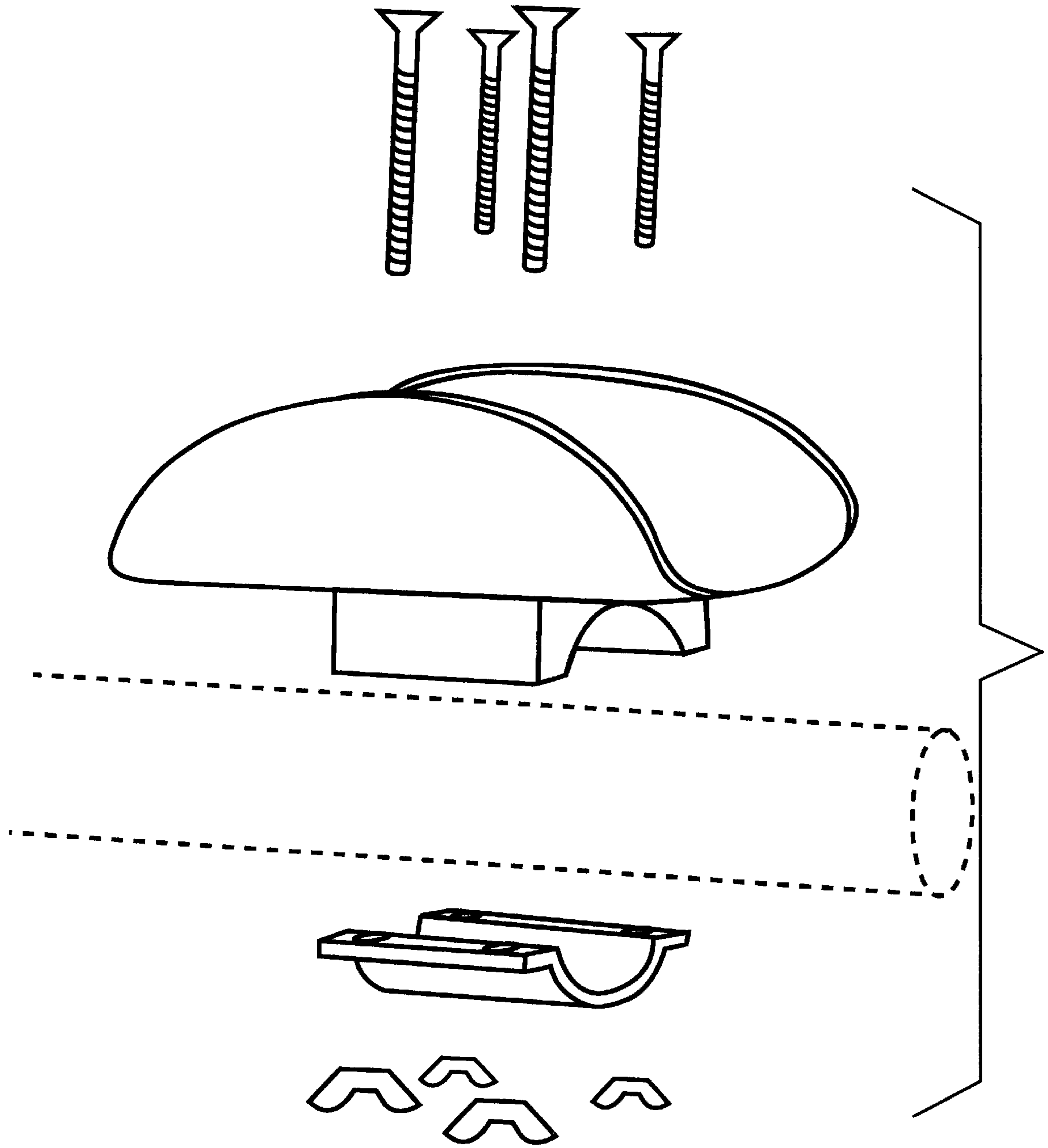


FIG. 1

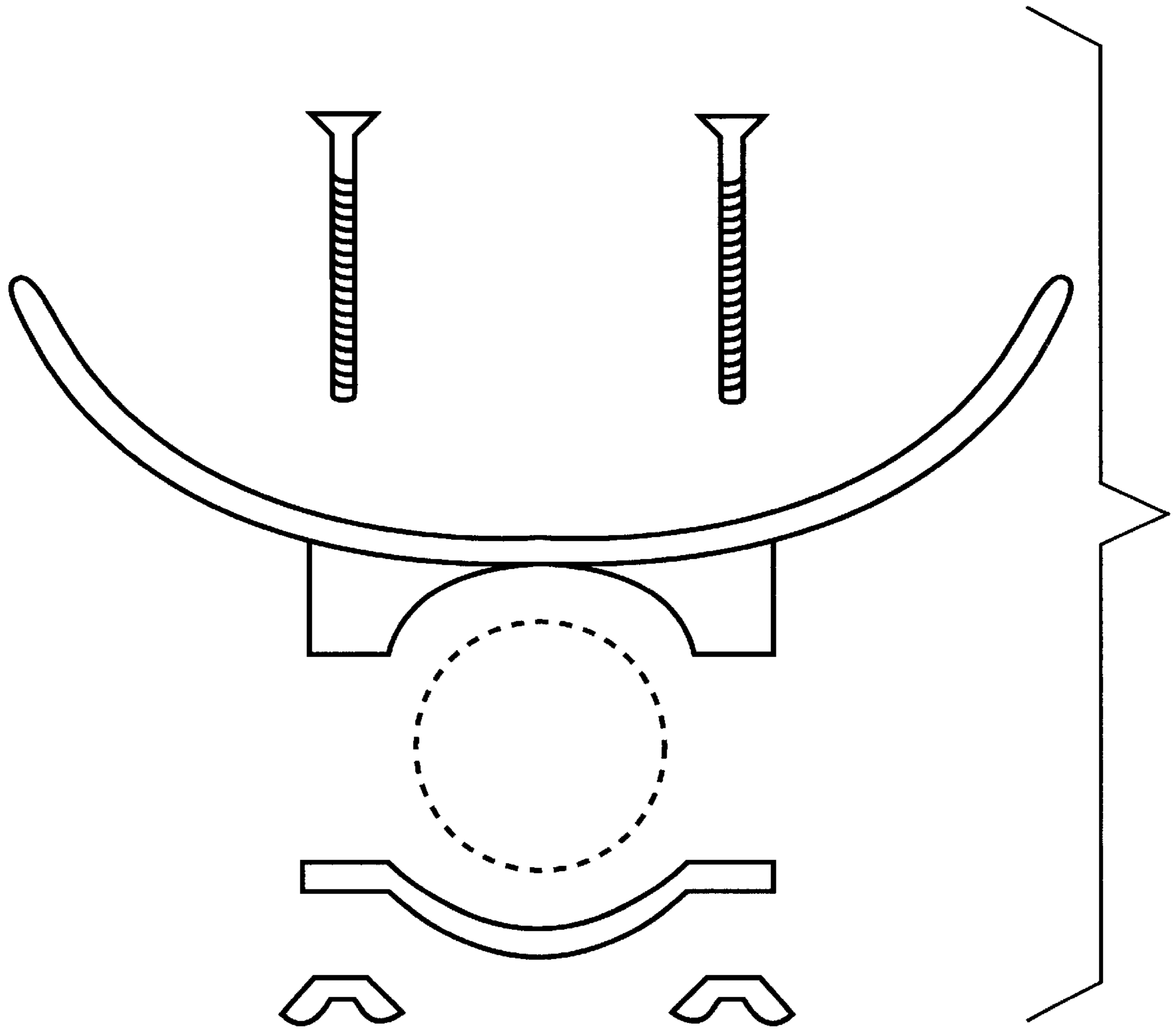


FIG. 2