



US00D466393S

(12) **United States Design Patent**
Neider et al.

(10) **Patent No.:** **US D466,393 S**

(45) **Date of Patent:** **** Dec. 3, 2002**

(54) **BASE FOR A PIPE SUPPORTING DEVICE**

(75) Inventors: **Michael A. Neider**, Sandy, UT (US);
Nathan M. Sargent, Coalville, UT (US)

(73) Assignee: **Miro Industries**, Sandy, UT (US)

(**) Term: **14 Years**

(21) Appl. No.: **29/146,977**

(22) Filed: **Aug. 20, 2001**

(51) **LOC (7) Cl.** **08-05**

(52) **U.S. Cl.** **D8/354**

(58) **Field of Search** D8/349, 354, 355,
D8/373; 211/13.1, 22; 248/49, 73, 146,
158, 188.1, 310, 346.01, 346.02, 346.03,
346.04, 346.05, 519, 529, 676, 677, 678,
903, 910

(56) **References Cited**

U.S. PATENT DOCUMENTS

| | | | |
|-------------|----------|-----------------|---------|
| 827,575 A | 7/1906 | Smead | |
| 1,788,939 A | 1/1931 | Axlund | |
| 1,970,840 A | 8/1934 | Cardwell et al. | |
| 2,103,811 A | 12/1937 | Davis | |
| 2,893,669 A | 7/1959 | Kindorf | |
| 3,253,416 A | 5/1966 | Madison | |
| 4,078,757 A | * 3/1978 | Waters | 248/158 |
| 4,502,653 A | 3/1985 | Curtis, Jr. | |
| 4,513,934 A | 4/1985 | Pruyne | |
| 4,726,222 A | 2/1988 | Schueller | |
| 4,877,206 A | 10/1989 | Barrett | |

| | | | | | |
|-------------|---|---------|-------------------|-------|------------|
| D316,511 S | * | 4/1991 | White, Jr. | | D8/349 |
| 5,028,019 A | | 7/1991 | Hardtke | | |
| 5,028,149 A | | 7/1991 | Hardtke | | |
| 5,102,073 A | | 4/1992 | Lestenkof, Jr. | | |
| 5,217,191 A | | 6/1993 | Smith | | |
| 5,685,508 A | | 11/1997 | Smith | | |
| 5,779,198 A | | 7/1998 | Rutherford et al. | | |
| 5,816,554 A | * | 10/1998 | McCracken | | 248/346.01 |
| 5,829,718 A | | 11/1998 | Smith | | |
| 5,871,306 A | | 2/1999 | Tilcox | | |
| 5,906,341 A | | 5/1999 | Brown | | |
| D427,049 S | | 6/2000 | Neider et al. | | |
| D433,615 S | * | 11/2000 | Neider et al. | | D8/354 |
| D436,522 S | | 1/2001 | Neider et al. | | |

* cited by examiner

Primary Examiner—Doris V. Coles

Assistant Examiner—Elizabeth A. Albert

(74) *Attorney, Agent, or Firm*—Kenneth E. Horton; Rader, Fishman & Grauer

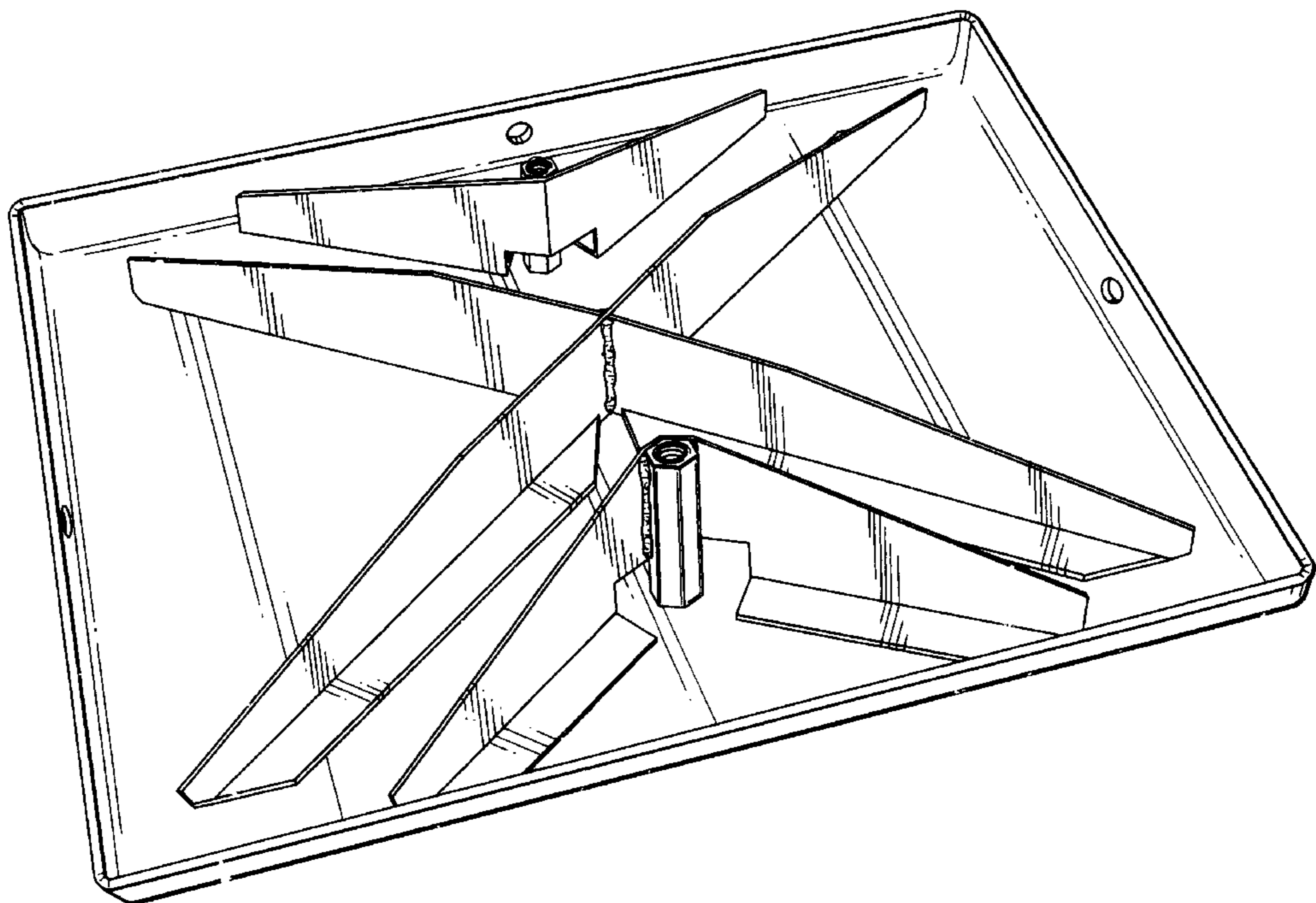
(57) **CLAIM**

The ornamental design for a base for a pipe supporting device, as shown and described.

DESCRIPTION

FIG. 1 is a perspective view of a base for a pipe supporting device showing our new design;
FIG. 2 is a front view;
FIG. 3 is a top view;
FIG. 4 is a side view; and,
FIG. 5 is a bottom view.

1 Claim, 3 Drawing Sheets



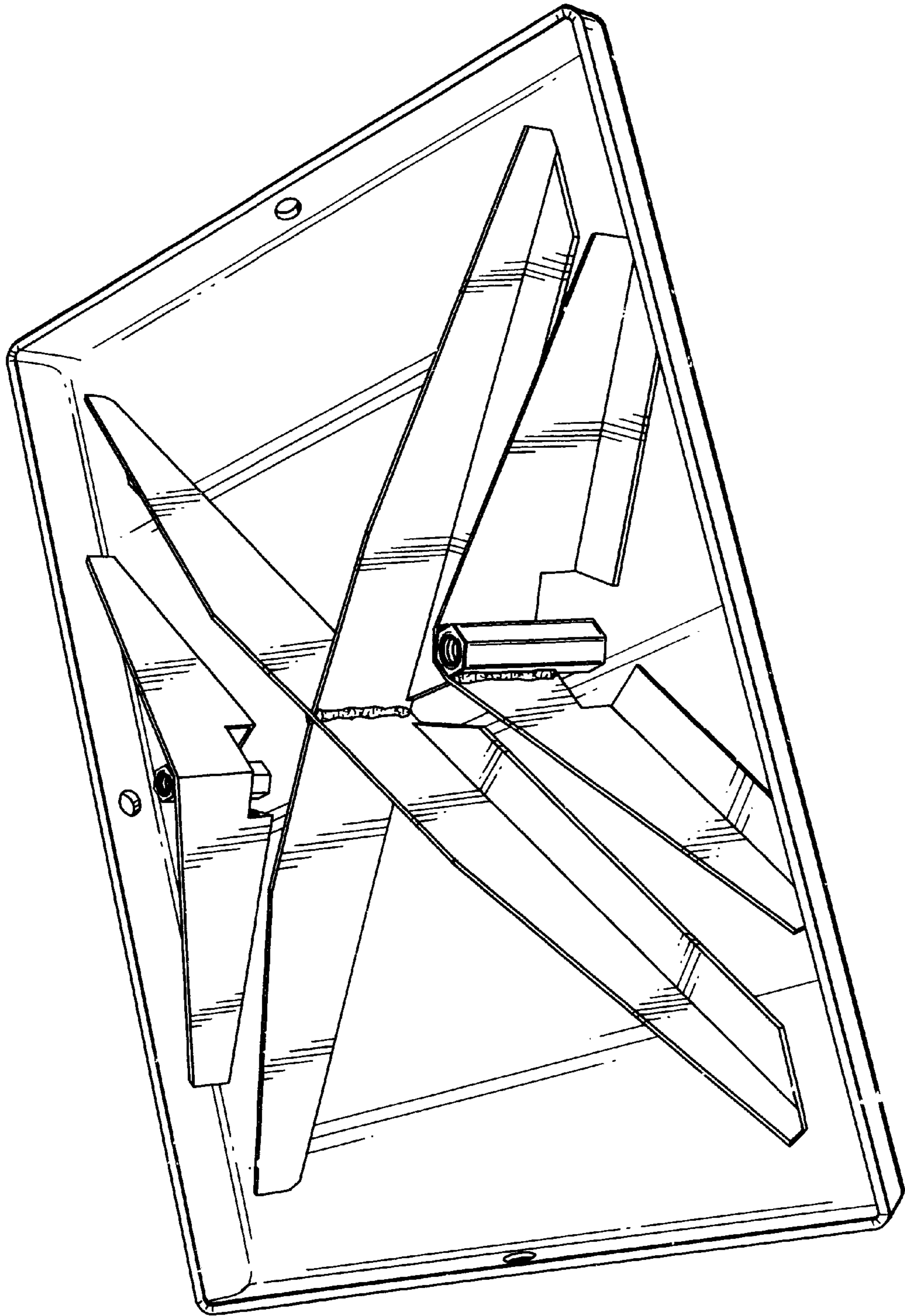


FIG. 1

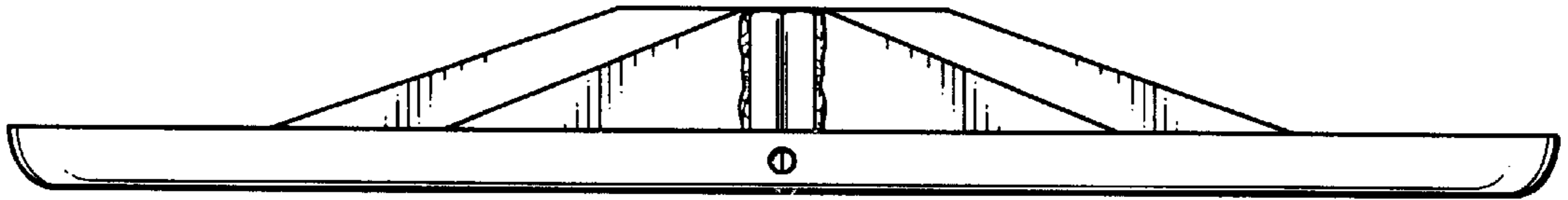


FIG. 2

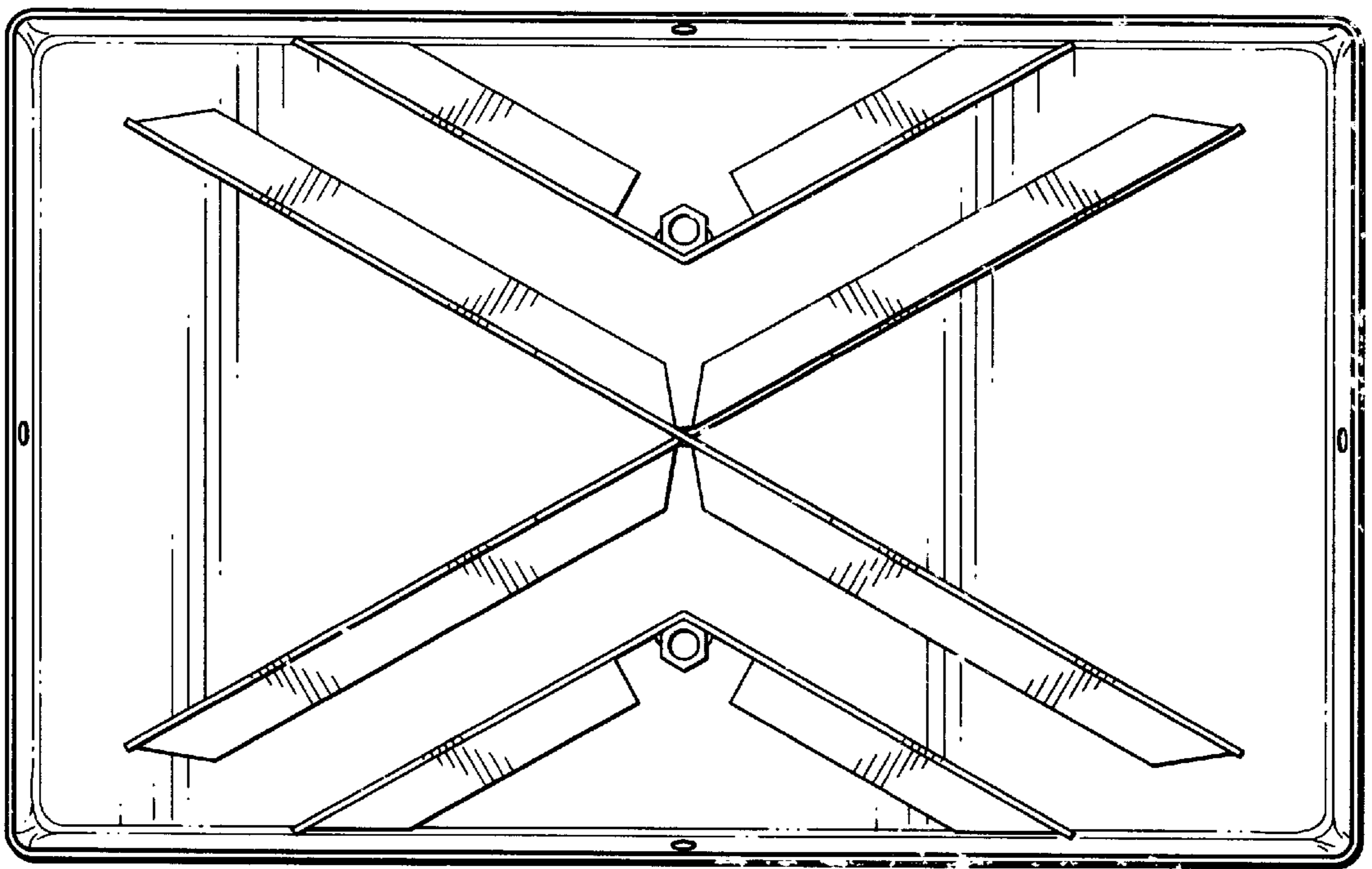


FIG. 3

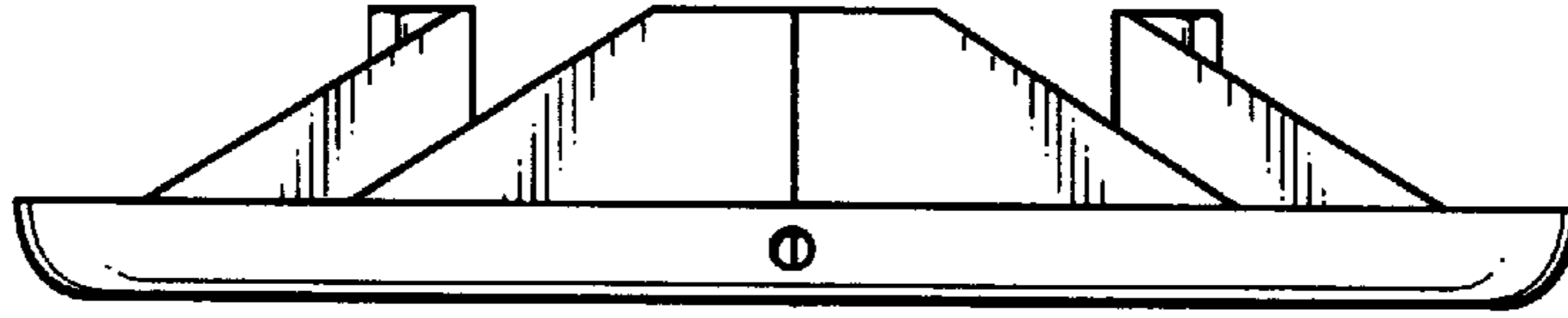


FIG. 4

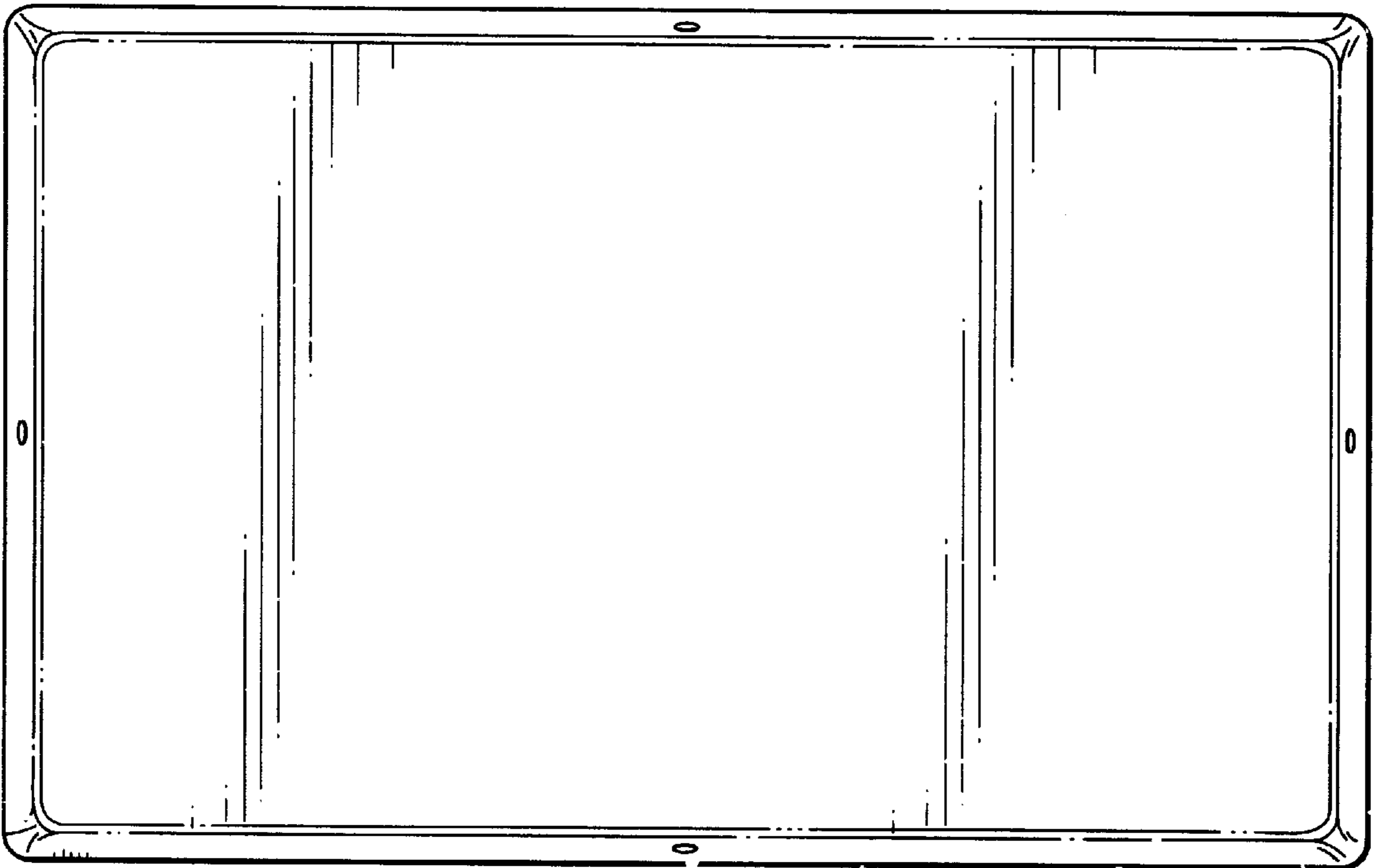


FIG. 5