



US00D466392S

(12) **United States Design Patent**
Halajko

(10) **Patent No.:** **US D466,392 S**

(45) **Date of Patent:** **** Dec. 3, 2002**

(54) **DOOR HANDLE**

5,072,977 A * 12/1991 Millman et al. 292/92
5,829,801 A * 11/1998 Tindall 292/336.3

(75) Inventor: **Terry Halajko, Winnipeg (CA)**

* cited by examiner

(73) Assignee: **Adams Rite Manufacturing Co.,
Pomona, CA (US)**

Primary Examiner—B. J. Bullock

(74) *Attorney, Agent, or Firm*—William W. Haefliger

(**) Term: **14 Years**

(57) **CLAIM**

(21) Appl. No.: **29/149,711**

The ornamental design for a door handle, substantially as shown and described.

(22) Filed: **Oct. 16, 2001**

(51) **LOC (7) Cl.** **08-06**

(52) **U.S. Cl.** **D8/306**

(58) **Field of Search** D8/300, 306, 307,
D8/314; 292/92, 336.3, DIG. 65

DESCRIPTION

FIG. 1 is a perspective view showing the front, left side and top of the door handle;

FIG. 2 is a front elevation showing the door handle;

FIG. 3 is a top view showing a door handle, the bottom view being the same;

FIG. 4 is a left side view showing the door handle; and,

FIG. 5 is a right side view showing the door handle.

(56) **References Cited**

U.S. PATENT DOCUMENTS

3,393,934 A * 7/1968 Stebbins 292/92

3,869,159 A * 3/1975 Eads 292/336.3

4,986,583 A * 1/1991 Campbell et al. 292/DIG. 65

1 Claim, 2 Drawing Sheets

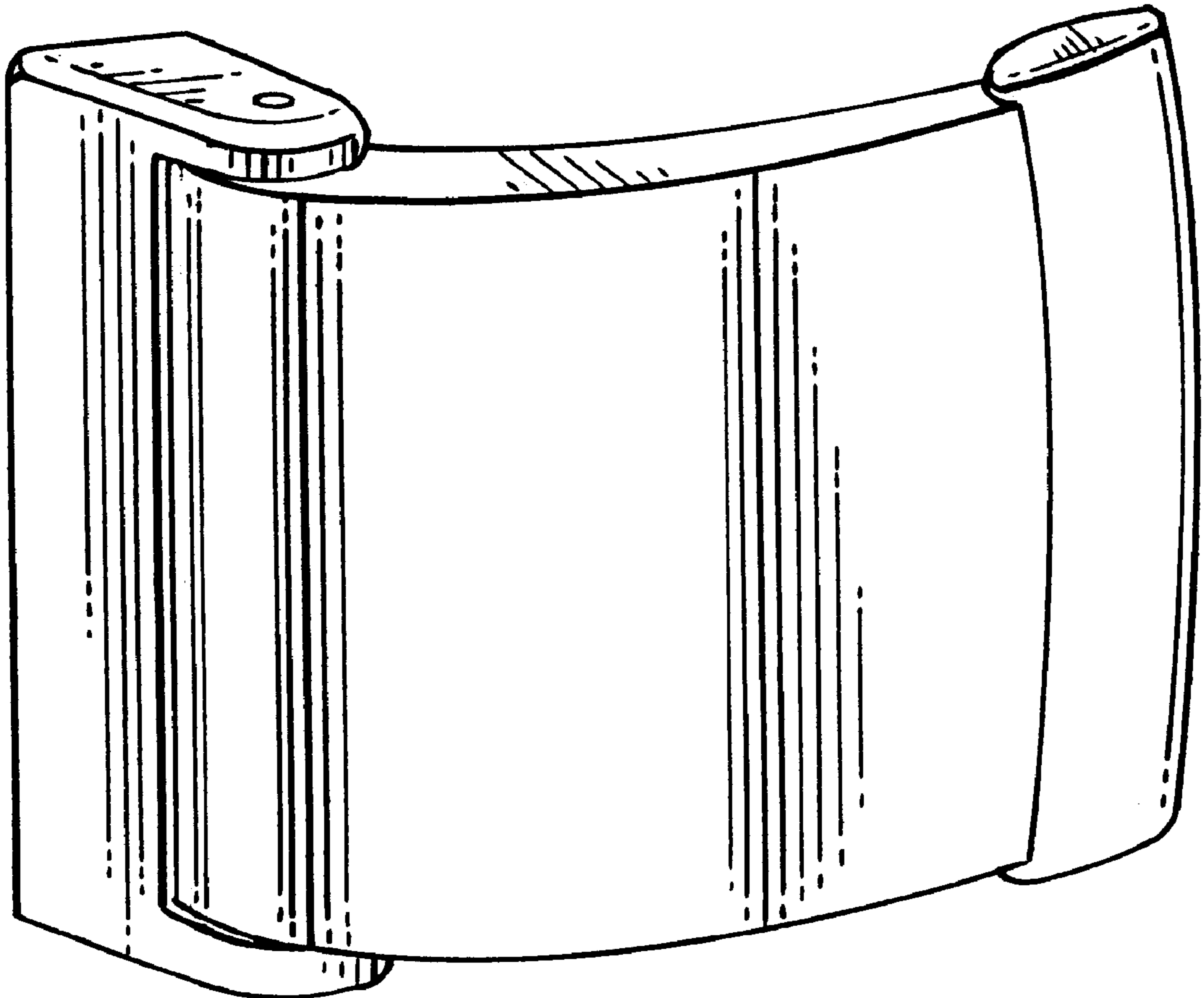


FIG. 1.

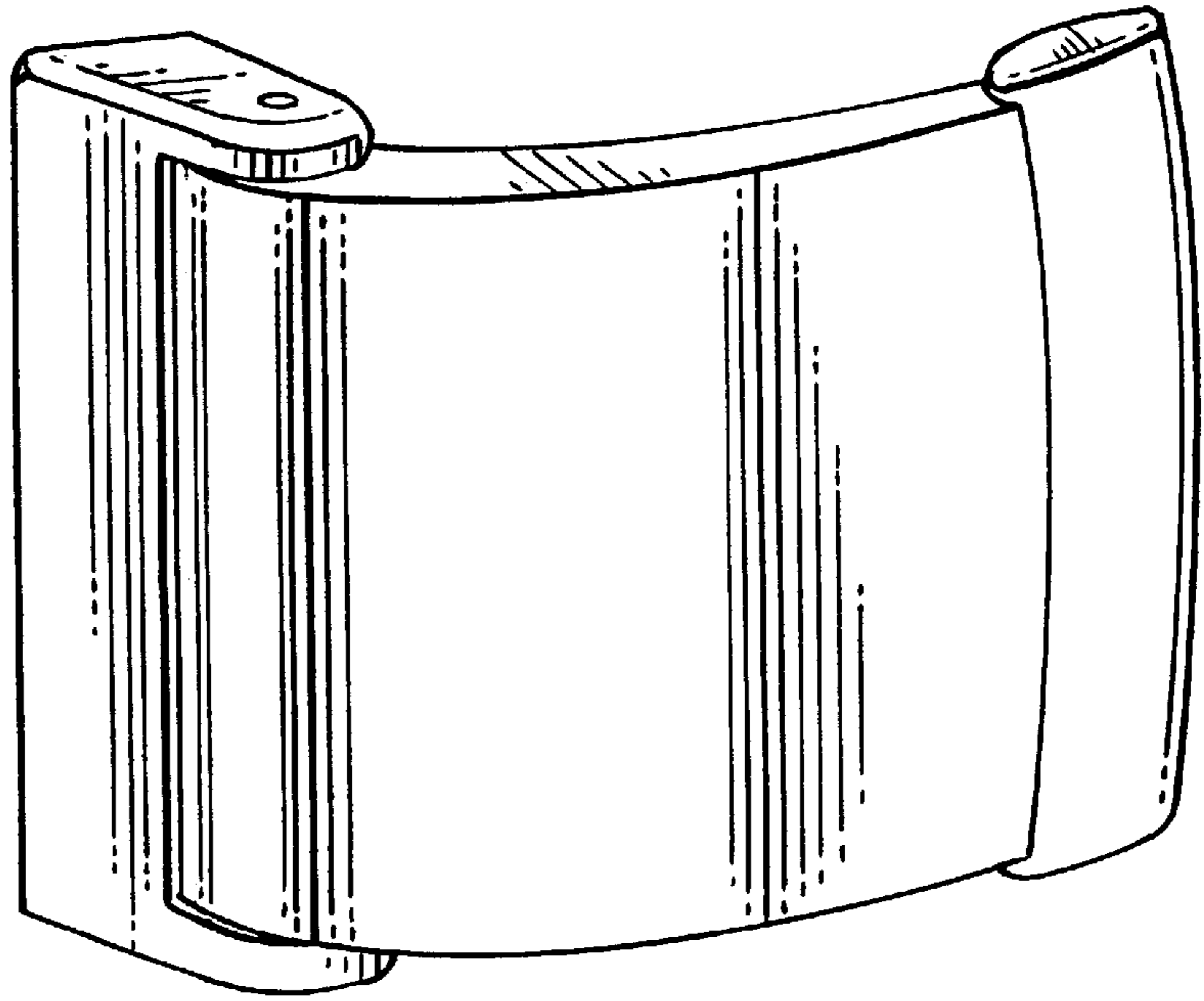
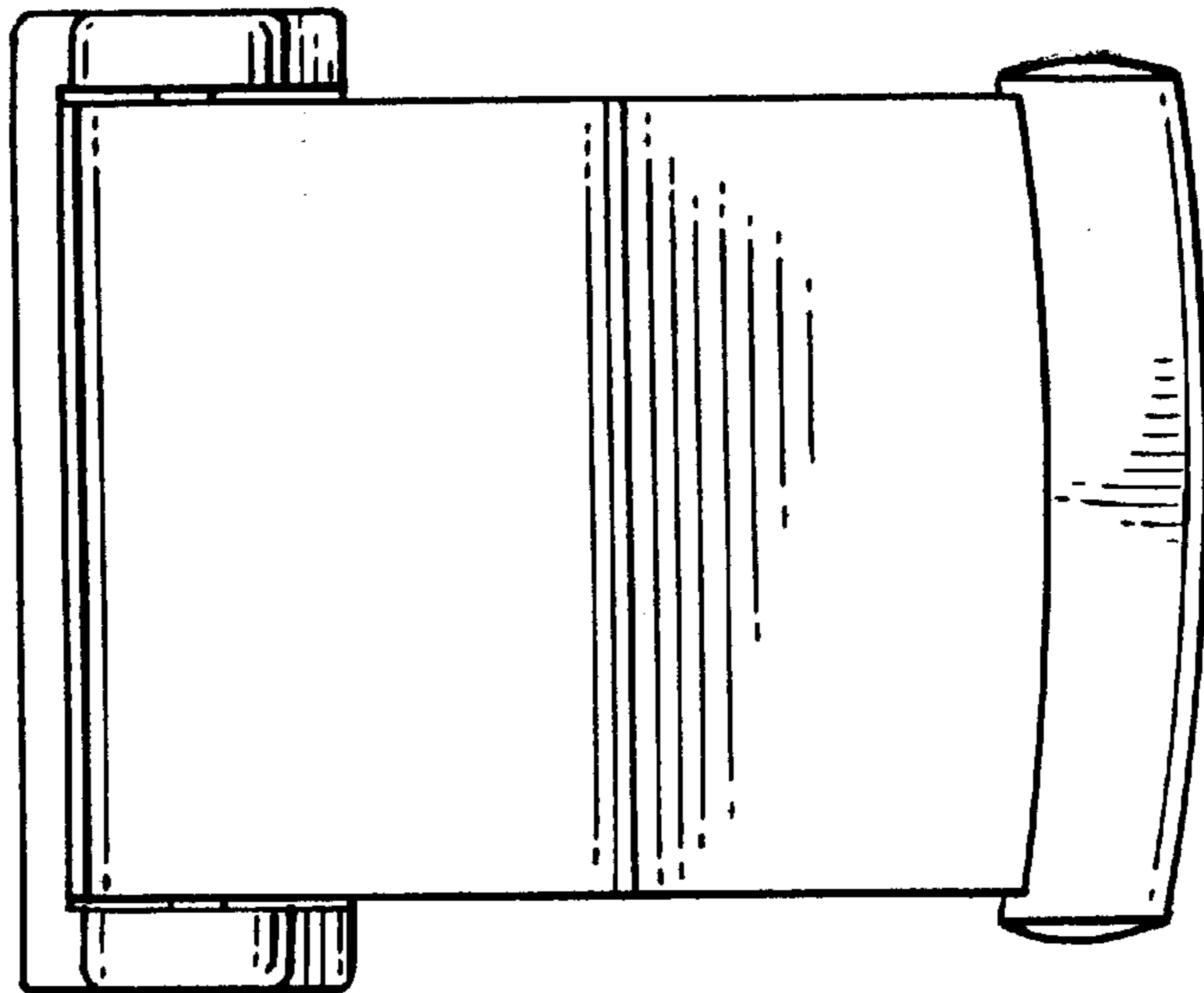


FIG. 2.



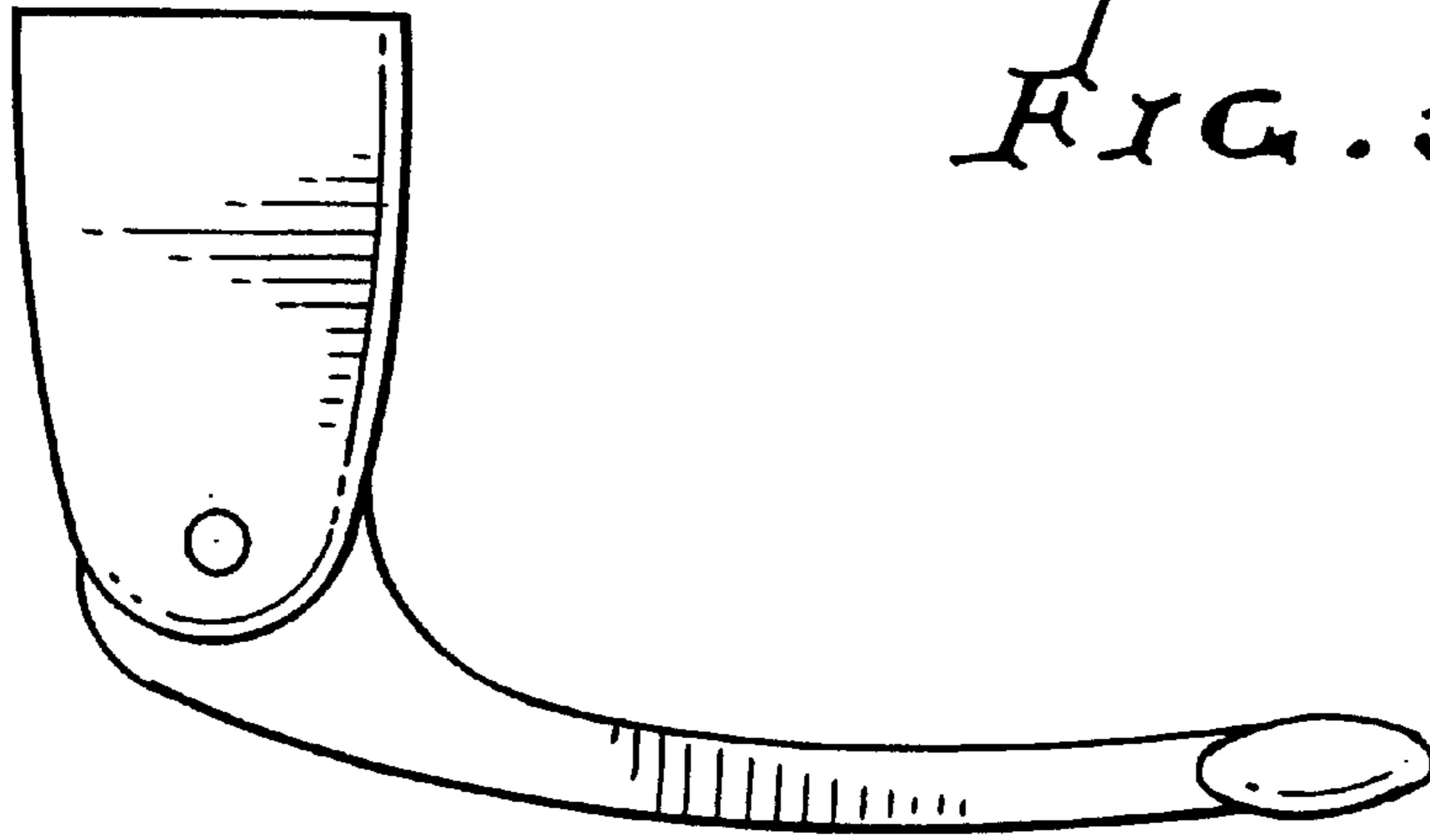


FIG. 3.

FIG. 4.

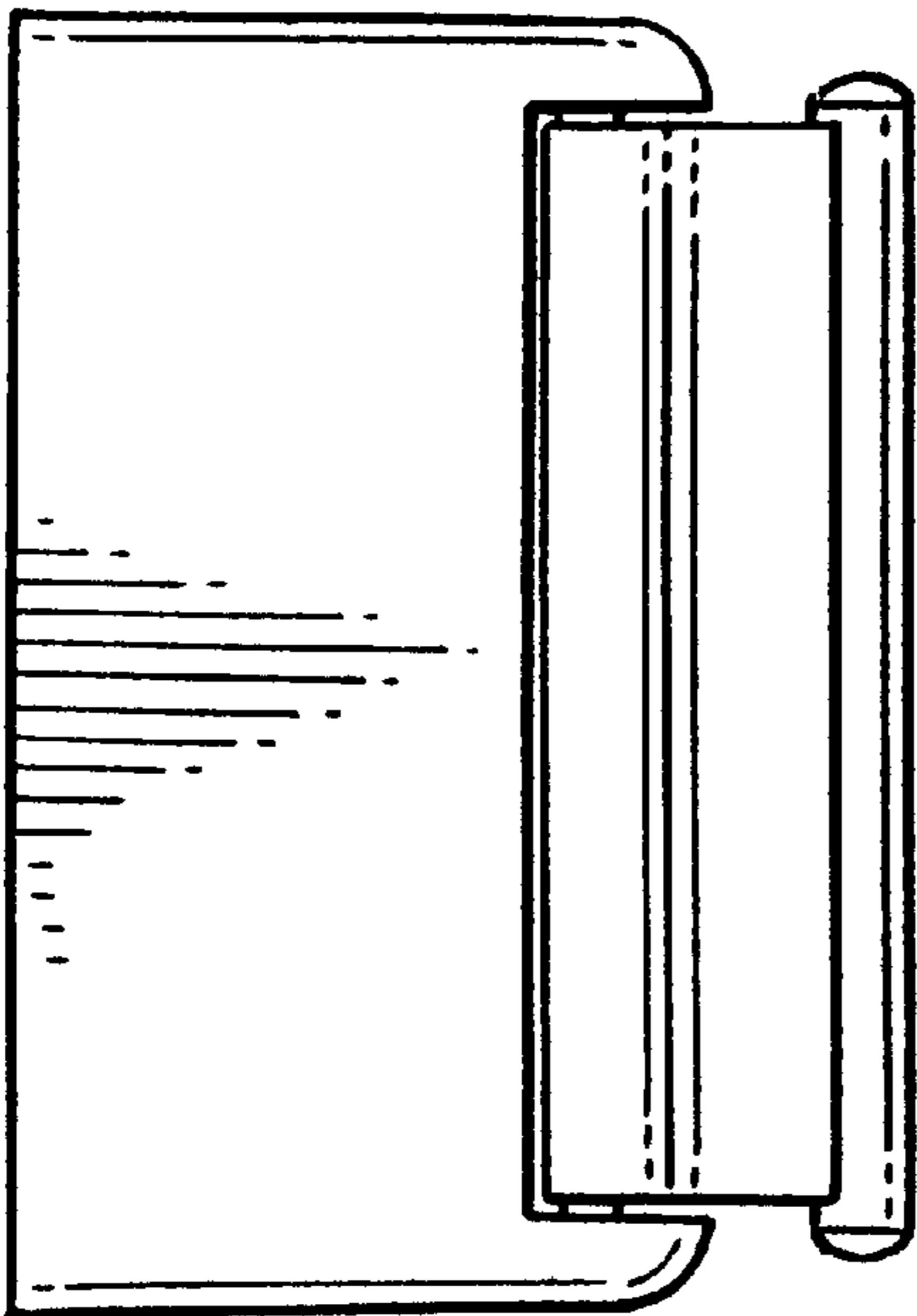


FIG. 5.

