



US00D466387S

(12) **United States Design Patent**  
**Chang**

(10) **Patent No.:** **US D466,387 S**

(45) **Date of Patent:** **\*\* Dec. 3, 2002**

(54) **CUTTER**

(76) Inventor: **Gin-Sung Chang**, No. 15, Lane 385,  
Kuang-Ming Rd., Wu-Jih Hsiang,  
Taichung Hsien (TW)

(\*\*) Term: **14 Years**

(21) Appl. No.: **29/146,042**

(22) Filed: **Aug. 1, 2001**

(51) **LOC (7) Cl.** ..... **08-03**

(52) **U.S. Cl.** ..... **D8/99; D26/38**

(58) **Field of Search** ..... D8/98, 99, 100,  
D8/105; D26/38; 30/162, 125, 169, 294,  
320

(56) **References Cited**

**U.S. PATENT DOCUMENTS**

4,281,458 A	*	8/1981	Okada	.....	30/162
4,558,517 A	*	12/1985	Gringer	.....	15/236.01
4,628,717 A	*	12/1986	Blum	.....	30/162
5,960,545 A	*	10/1999	Shepherd et al.	.....	30/125
6,101,721 A	*	8/2000	Medhurst	.....	30/125
D430,476 S	*	9/2000	Thompson et al.	.....	D8/45
D449,771 S	*	10/2001	Douglas et al.	.....	D8/107

*Primary Examiner*—Philip S. Hyder

\* cited by examiner

(74) *Attorney, Agent, or Firm*—MacPherson Kwok Chen &  
Heid LLP

(57) **CLAIM**

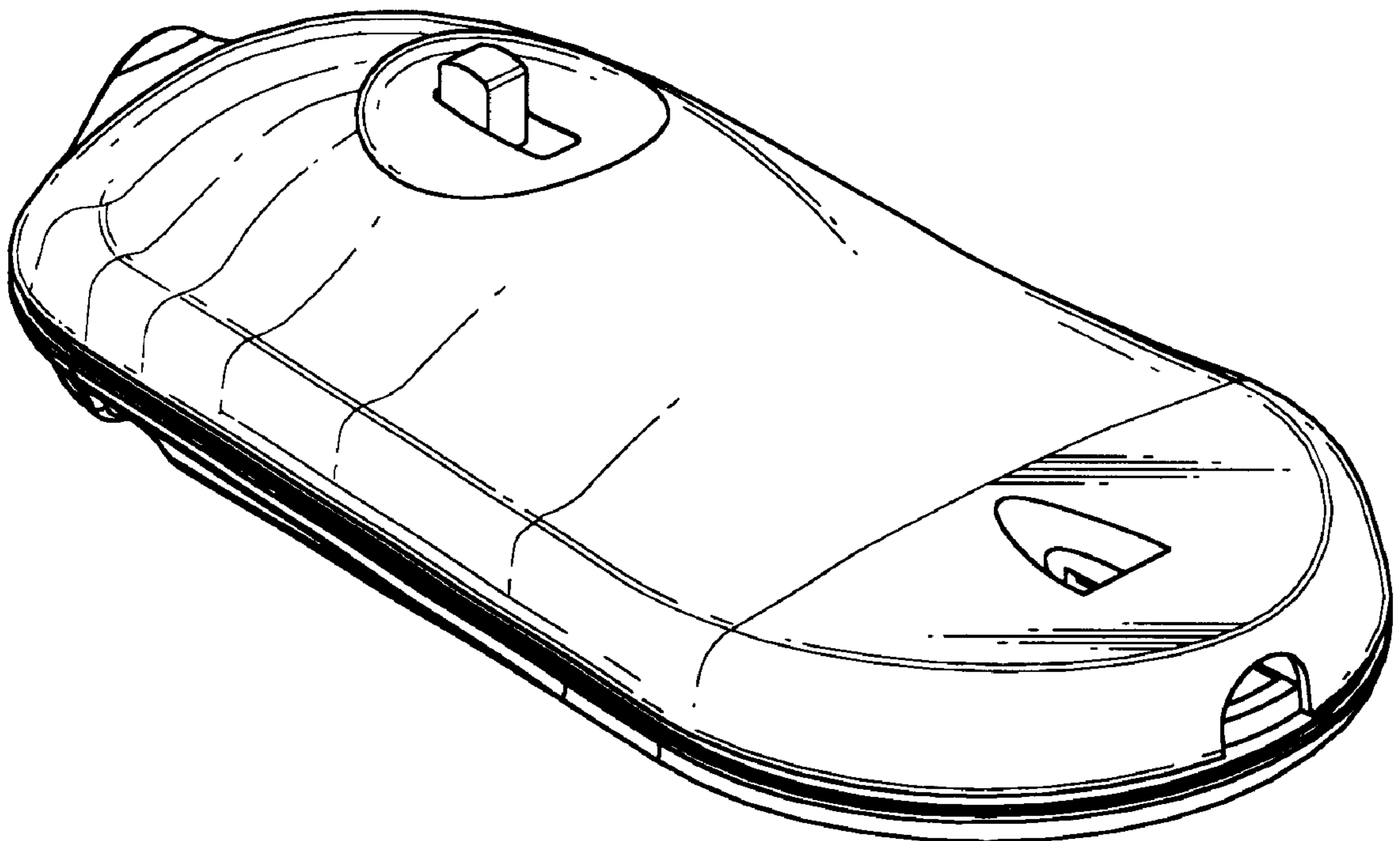
The ornamental design for a cutter, as shown and described.

**DESCRIPTION**

FIG. 1 is a perspective view of a cutter showing the design;  
 FIG. 2 is a front elevational view thereof;  
 FIG. 3 is a rear elevational view thereof;  
 FIG. 4 is a left side elevational view thereof;  
 FIG. 5 is a right side elevational view thereof;  
 FIG. 6 is a top plan view thereof;  
 FIG. 7 is a bottom plan view thereof;  
 FIG. 8 is a bottom plan view, wherein the blade is shown in  
 the extended position;  
 FIG. 9 is a front elevational view thereof, on a reduced scale;  
 and,  
 FIG. 10 is a front elevational view thereof, on a reduced  
 scale.

The broken line portions of FIG. 9 and 10 are for illustrative  
purposes only and form no part of the claimed design.

**1 Claim, 7 Drawing Sheets**



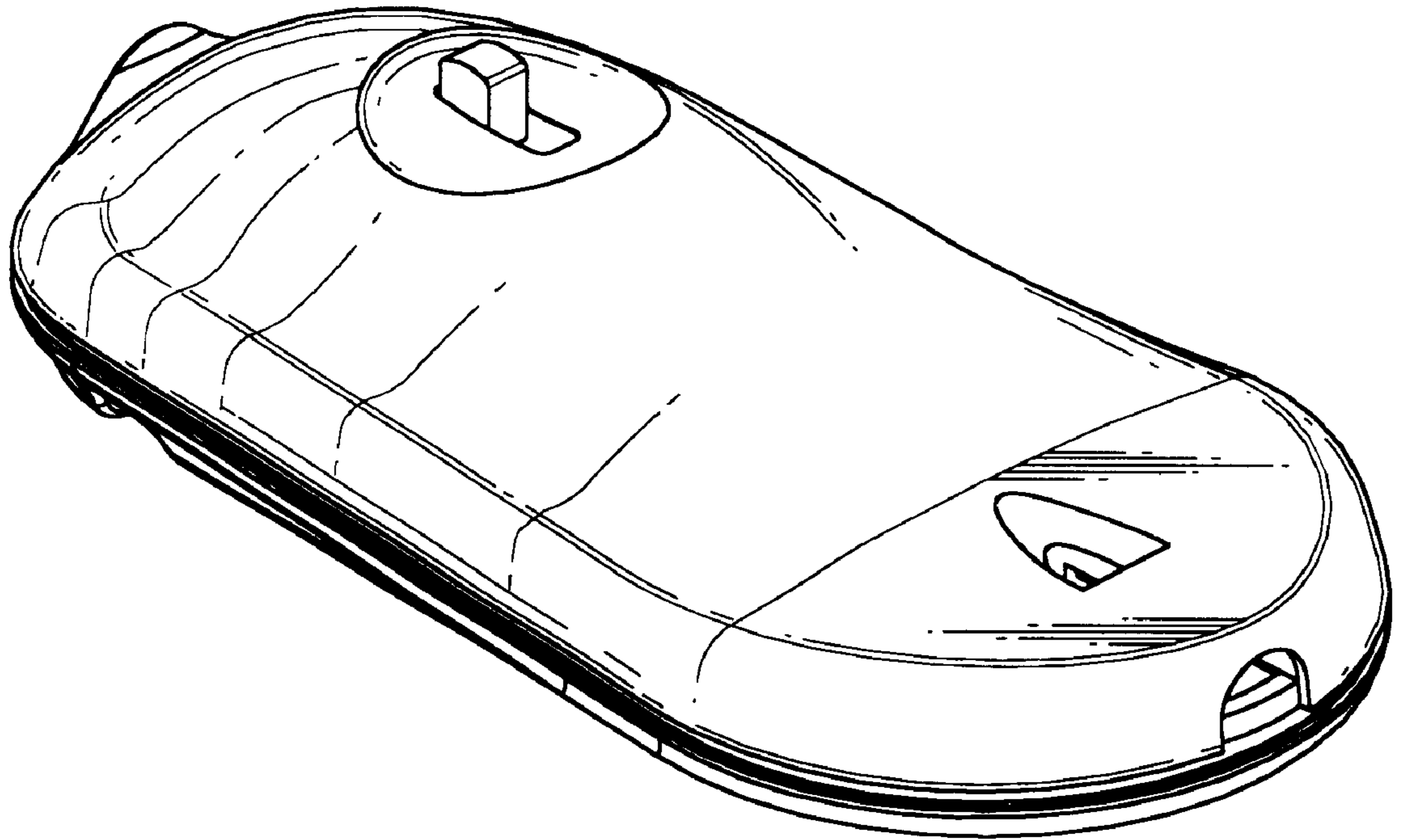


FIG. 1

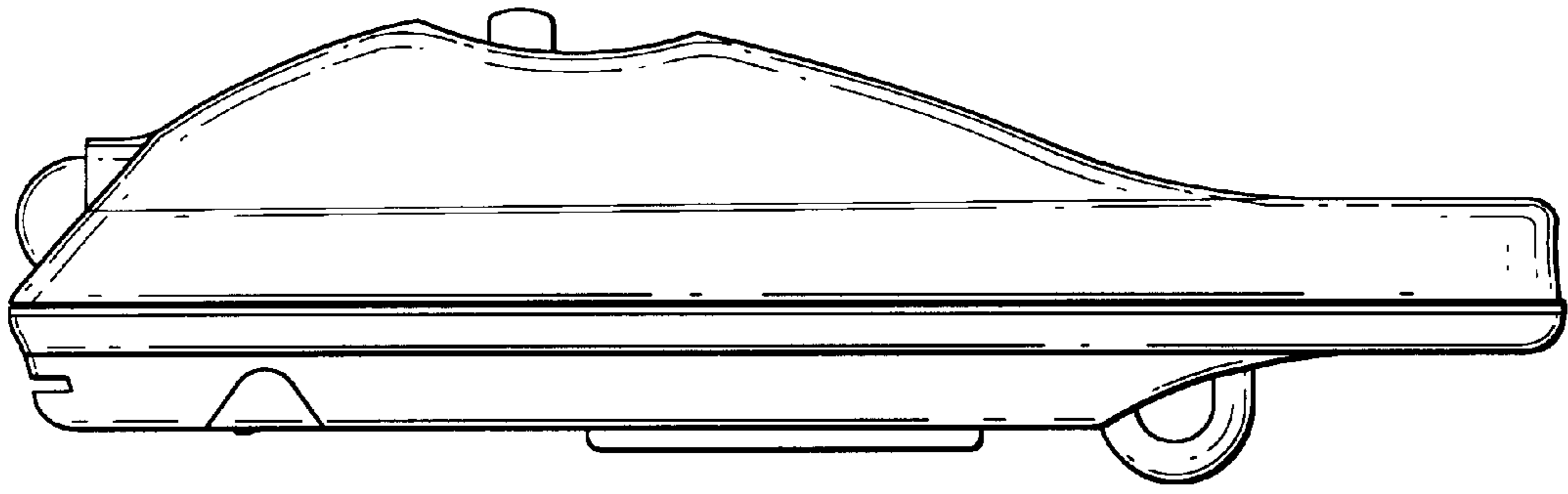


FIG. 2

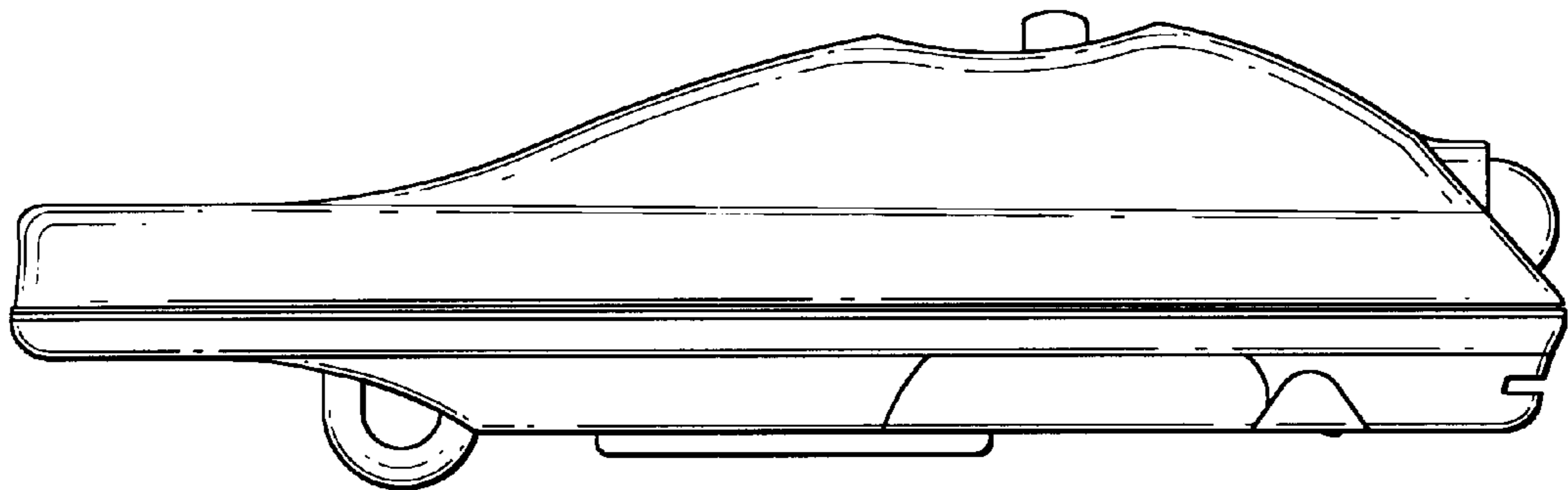


FIG. 3

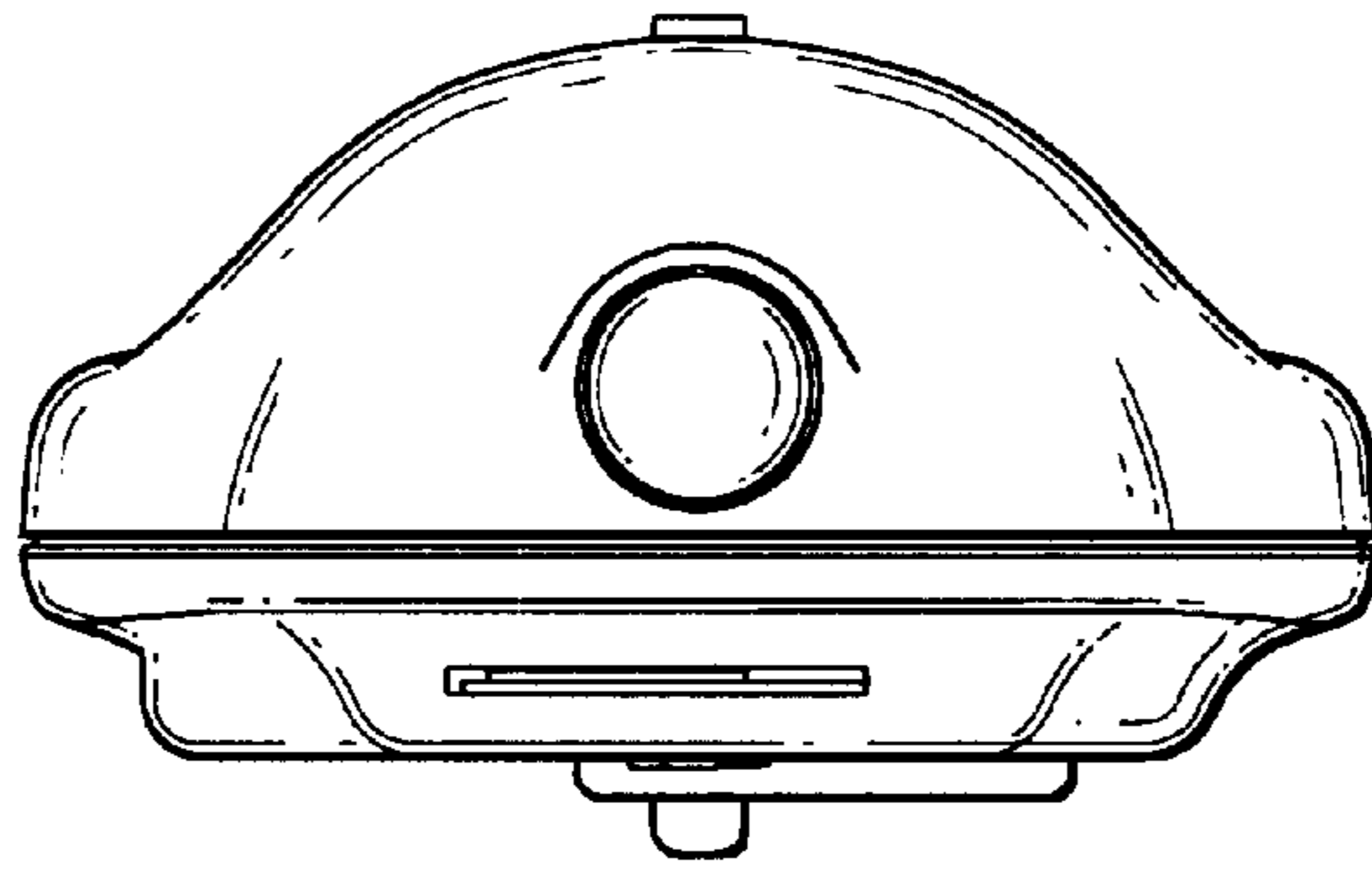


FIG. 4

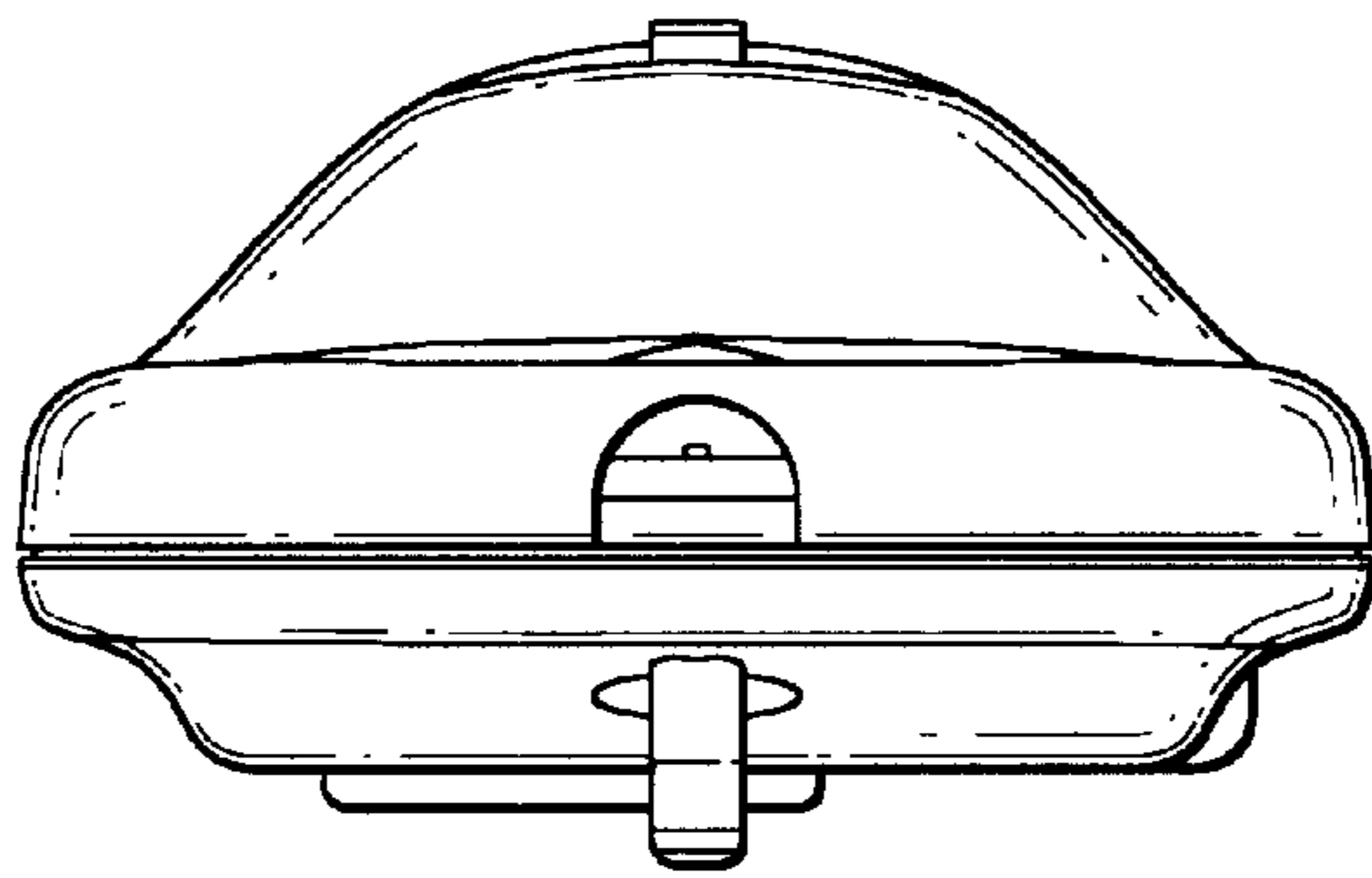


FIG. 5

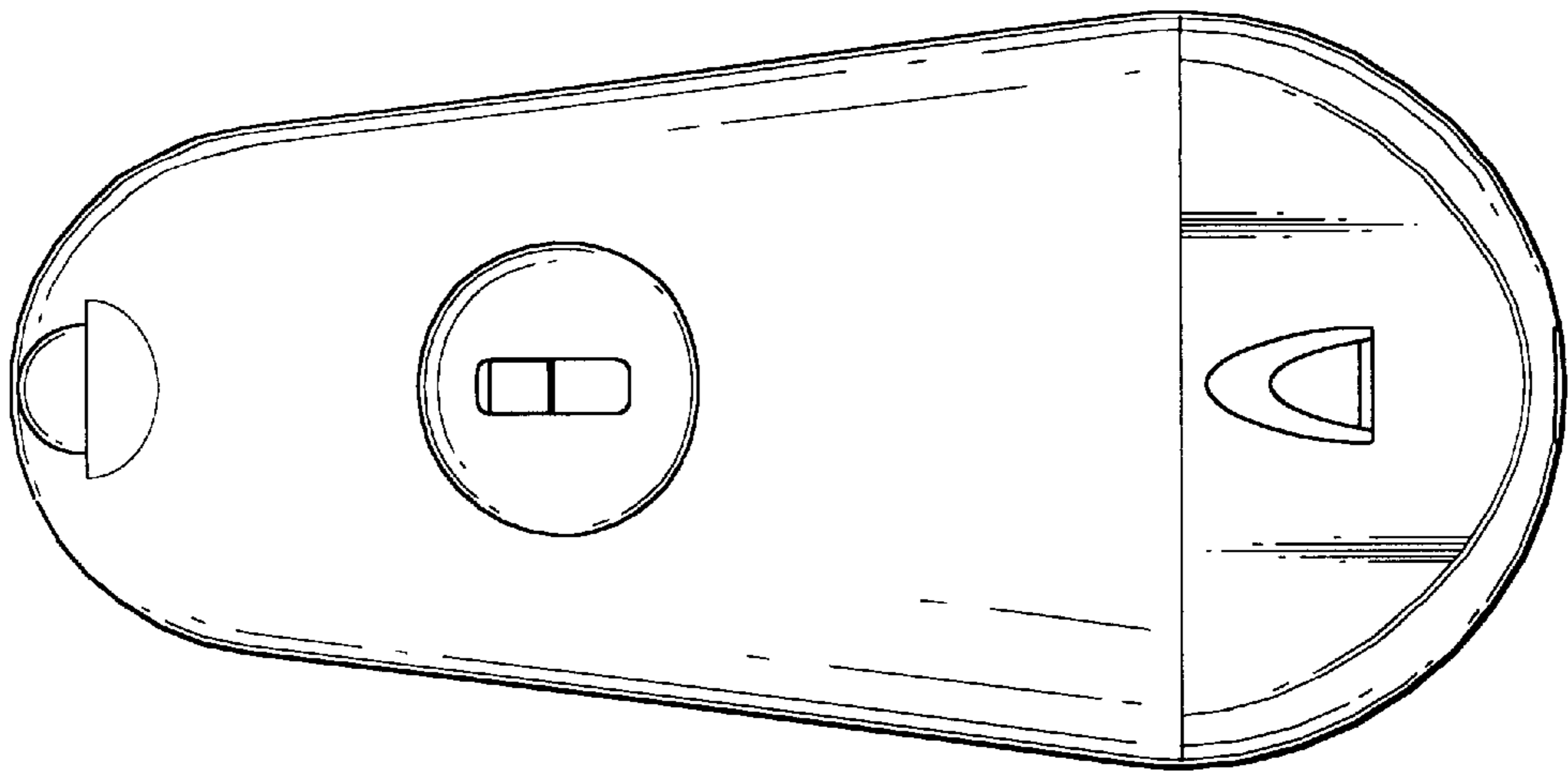


FIG. 6

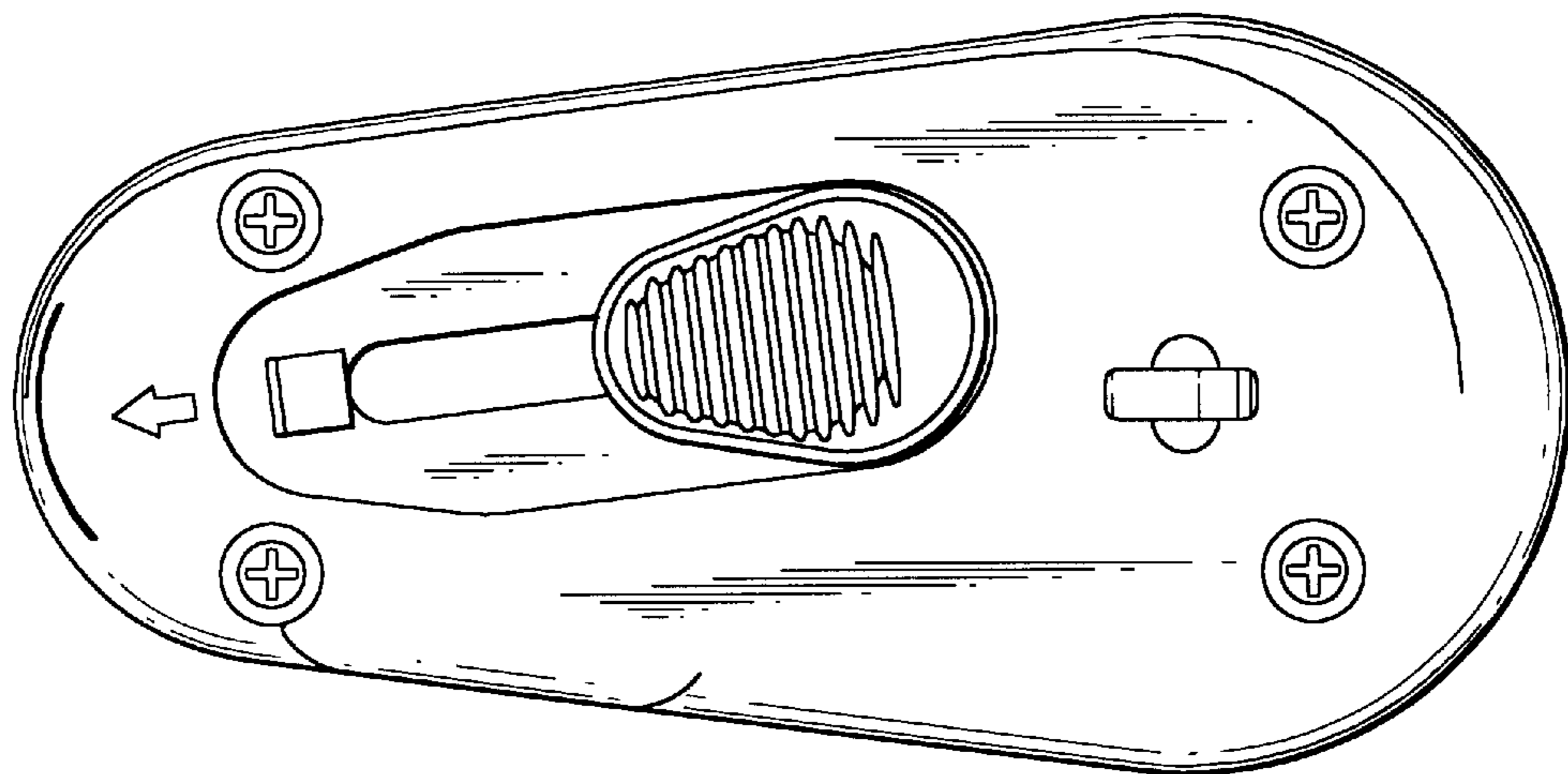


FIG. 7

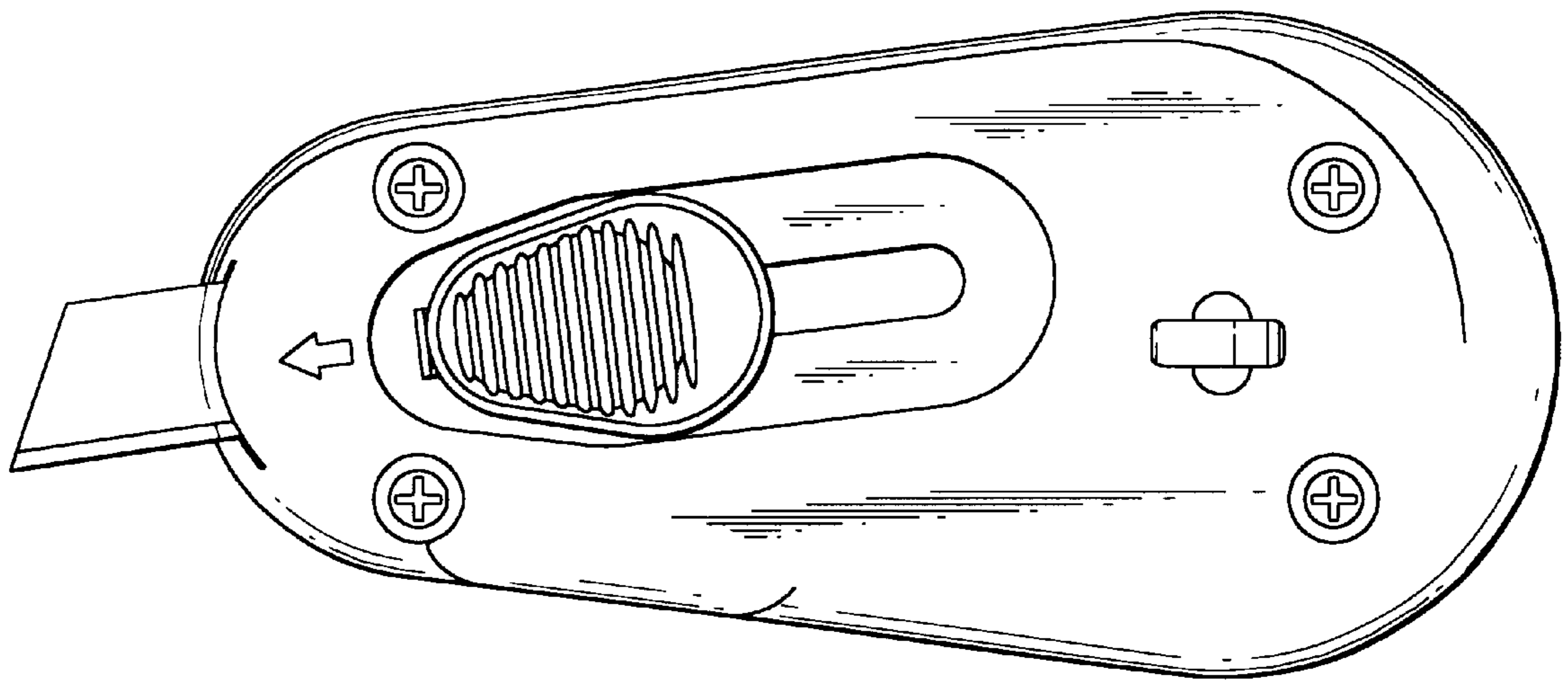


FIG. 8

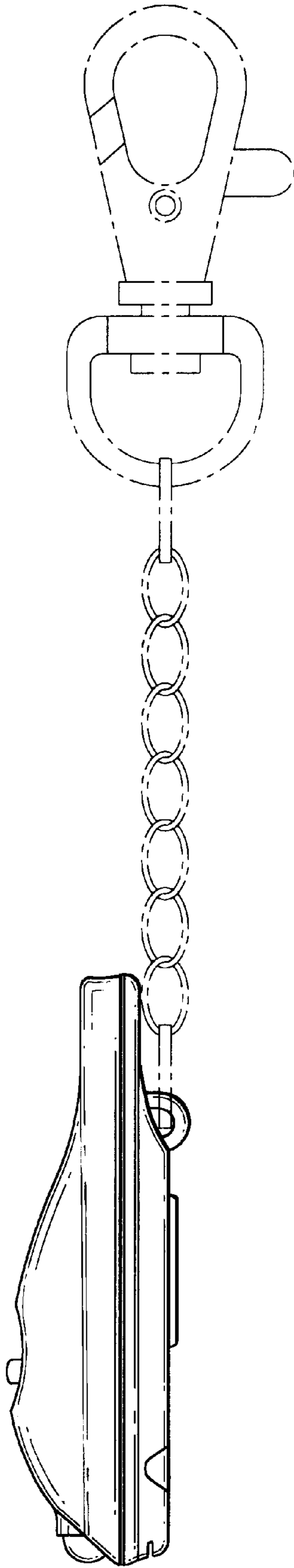


FIG. 9

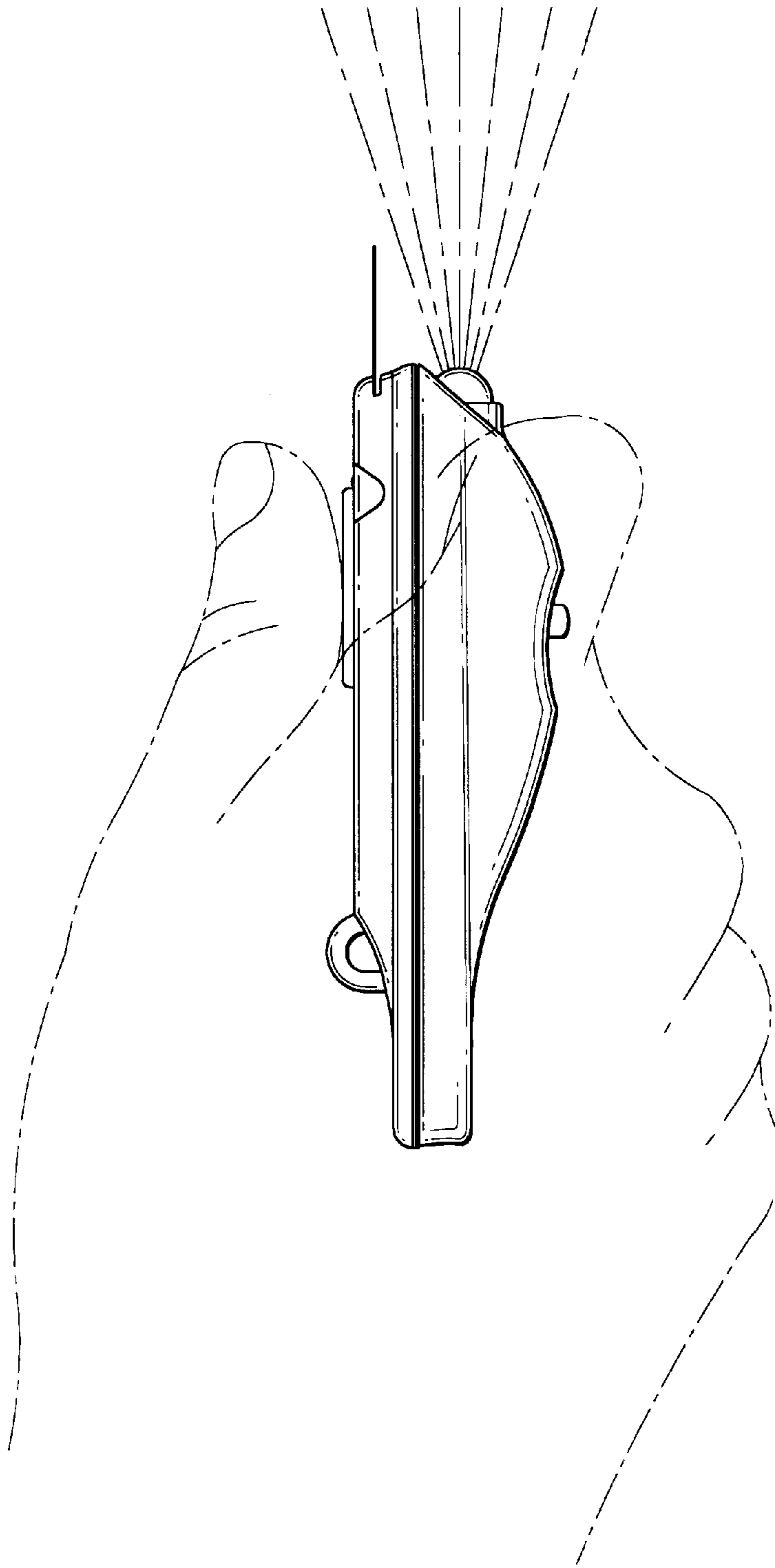


FIG. 10