



US00D466386S

(12) **United States Design Patent**  
**Zurwelle**

(10) **Patent No.:** **US D466,386 S**

(45) **Date of Patent:** **\*\* Dec. 3, 2002**

(54) **DRILL**

(75) Inventor: **Donald W. Zurwelle**, Lutherville, MD  
(US)

(73) Assignee: **Black & Decker Inc.**, Newark, DE  
(US)

(\*\*) Term: **14 Years**

(21) Appl. No.: **29/162,460**

(22) Filed: **Jun. 14, 2002**

(51) **LOC (7) Cl.** ..... **08-01**

(52) **U.S. Cl.** ..... **D8/68**

(58) **Field of Search** ..... D8/61, 62, 63,  
D8/64, 65, 66, 67, 68, 69, 70; 81/57.11,  
429, 464, 465, 466, 469, 489; 173/13, 169,  
178, 213, 217; 227/8, 114, 120, 130, 136,  
142; 310/50; 408/20, 124, 125, 234, 241 R;  
451/358

(56) **References Cited**

**U.S. PATENT DOCUMENTS**

3,579,002 A	*	5/1971	Wickham	.....	310/50
D280,797 S	*	10/1985	Sakamoto et al.	.....	D8/61
D280,883 S		10/1985	Sakamoto et al.		
D304,287 S		10/1989	Zurwelle		
D314,698 S	*	2/1991	Zurwelle	.....	D8/68
D316,021 S		4/1991	Bunyea		
D319,763 S		9/1991	Reiferscheid		
5,056,607 A	*	10/1991	Sanders	.....	173/217
D326,400 S		5/1992	Fushiya et al.		
D330,152 S	*	10/1992	Ogawa et al.	.....	D8/68
D339,727 S		9/1993	Kikuchi		
D344,000 S		2/1994	Shibata et al.		
D353,526 S		12/1994	Hoshino		
D396,395 S		7/1998	Zurwelle		
D396,621 S		8/1998	Zurwelle		
D400,074 S		10/1998	Cooper		
D400,415 S		11/1998	Zurwelle		
D400,416 S		11/1998	Zurwelle		
D403,565 S		1/1999	Chung		
D406,740 S		3/1999	Zurwelle		
D406,741 S	*	3/1999	Zurwelle	.....	D8/68
D406,742 S		3/1999	Schoen et al.		
D426,125 S	*	6/2000	Hayakawa et al.	.....	D8/61

D439,123 S	3/2001	Sakai et al.
D441,268 S	5/2001	Heun
D452,639 S	1/2002	Zurwelle

**FOREIGN PATENT DOCUMENTS**

DE	M8902842	11/1989
DE	M9007157	9/1991
DE	M9104263	1/1992
DE	M9104899	4/1992
DE	M9204142	11/1992
DE	M9206896	5/1993
DE	M9507136	3/1996
DE	M9604464	10/1996
DE	M9604852	2/1997
DE	M9702174	7/1997
DE	DM043755	4/1998
DE	M40001877	6/2000

**OTHER PUBLICATIONS**

Scrugun screwdrivers, Black & Decker Industrial/Construction catalogue, p. 24.\*

Drills, DeWalt Tool catalogue, pp. 22–23, c. 1998.\*

Screwdrivers, DeWalt Tool catalogue, pp. 30–31, c. 1998.\*

\* cited by examiner

*Primary Examiner*—Doris V. Coles

*Assistant Examiner*—T. Chase Nelson

(74) *Attorney, Agent, or Firm*—Michael P. Leary; Bruce S. Shapiro

(57) **CLAIM**

The ornamental design for a drill, as shown and described.

**DESCRIPTION**

FIG. 1 is a perspective view of a drill showing my new design.

FIG. 2 is a left side elevational view thereof.

FIG. 3 is a right side elevational view thereof.

FIG. 4 is a front elevational view thereof.

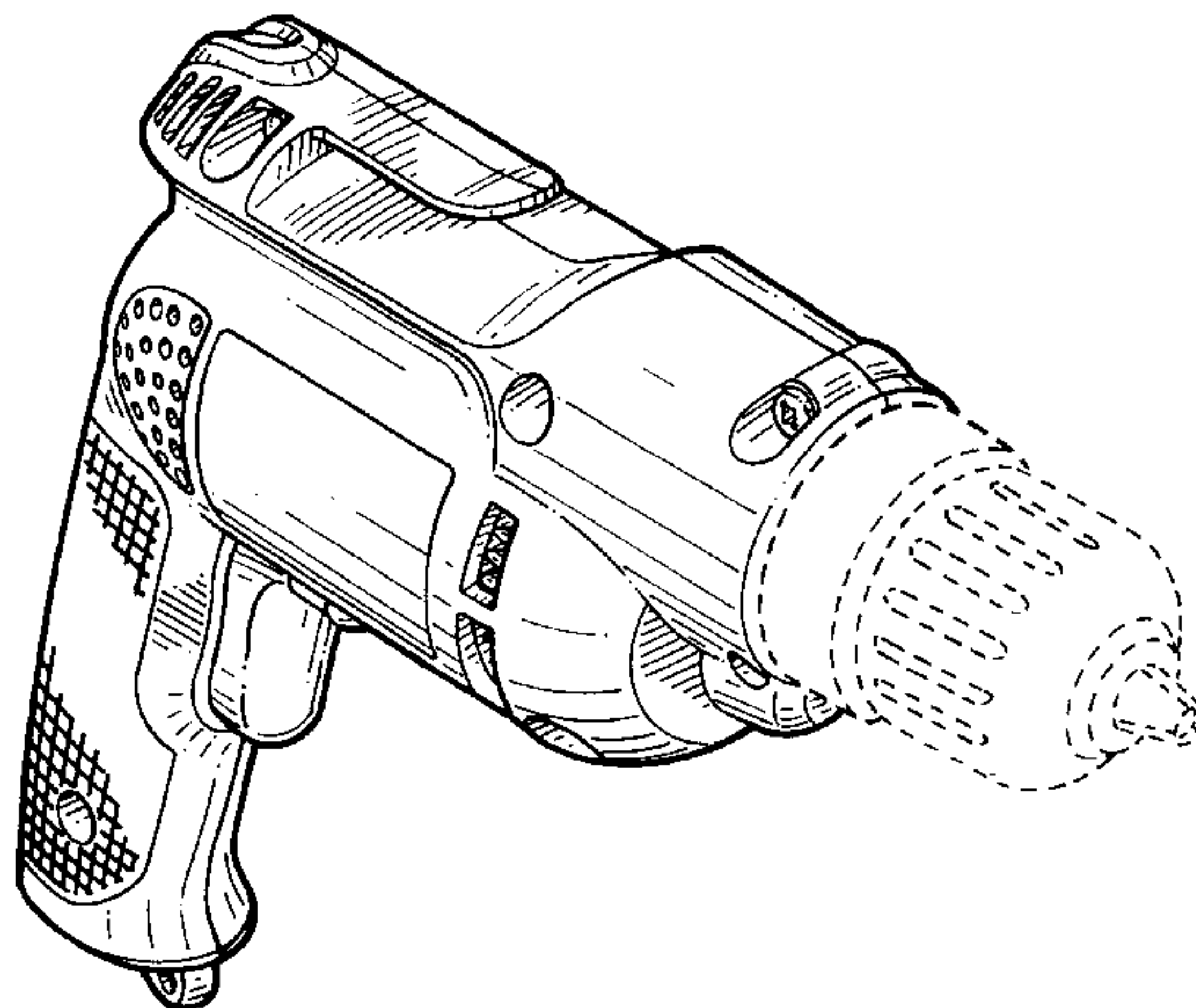
FIG. 5 is a rear elevational view thereof.

FIG. 6 is a top plan view thereof; and,

FIG. 7 is a bottom plan view thereof.

The broken lines are for illustrative purpose only and form no part of the claimed design.

**1 Claim, 7 Drawing Sheets**



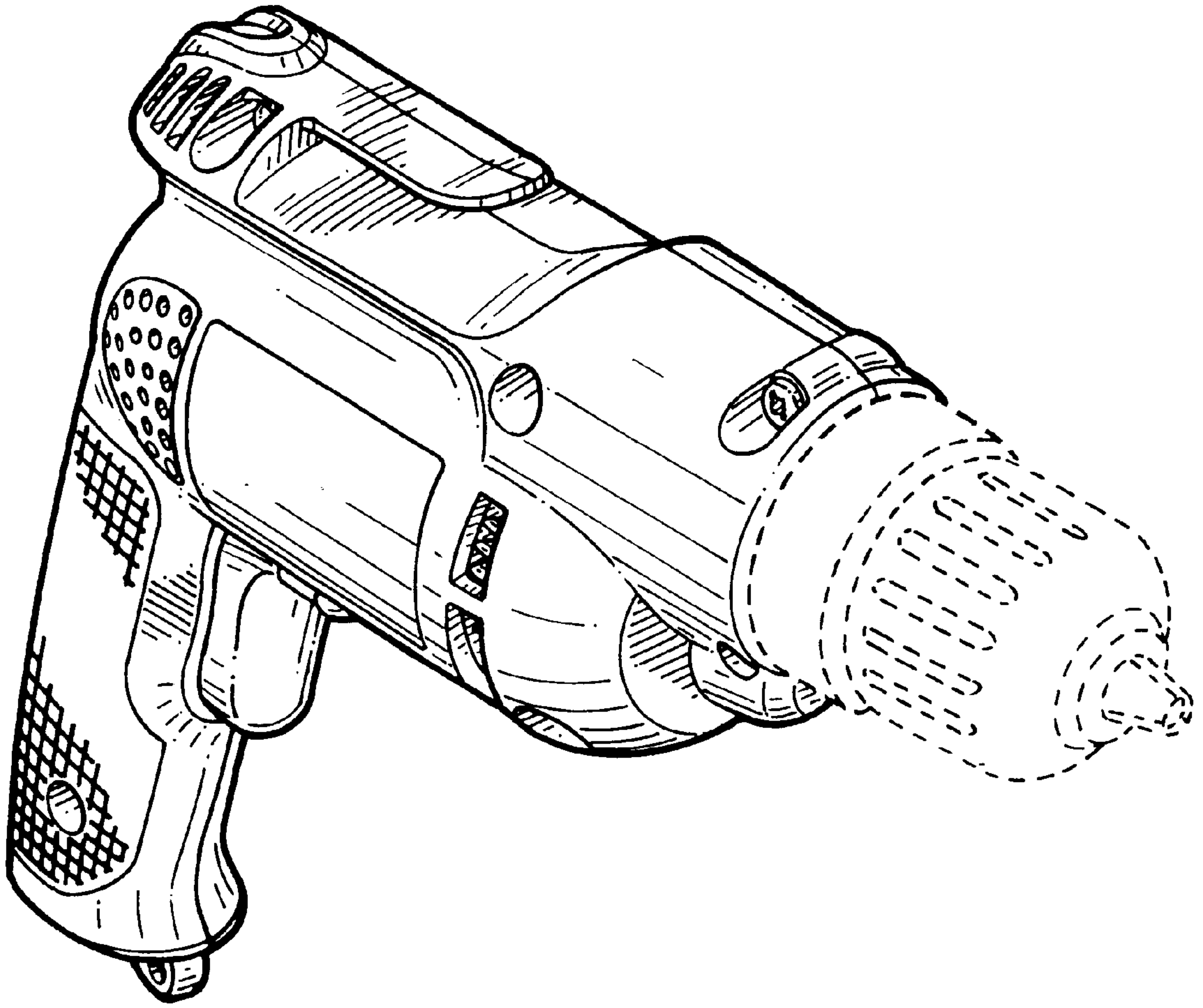


FIG. 1

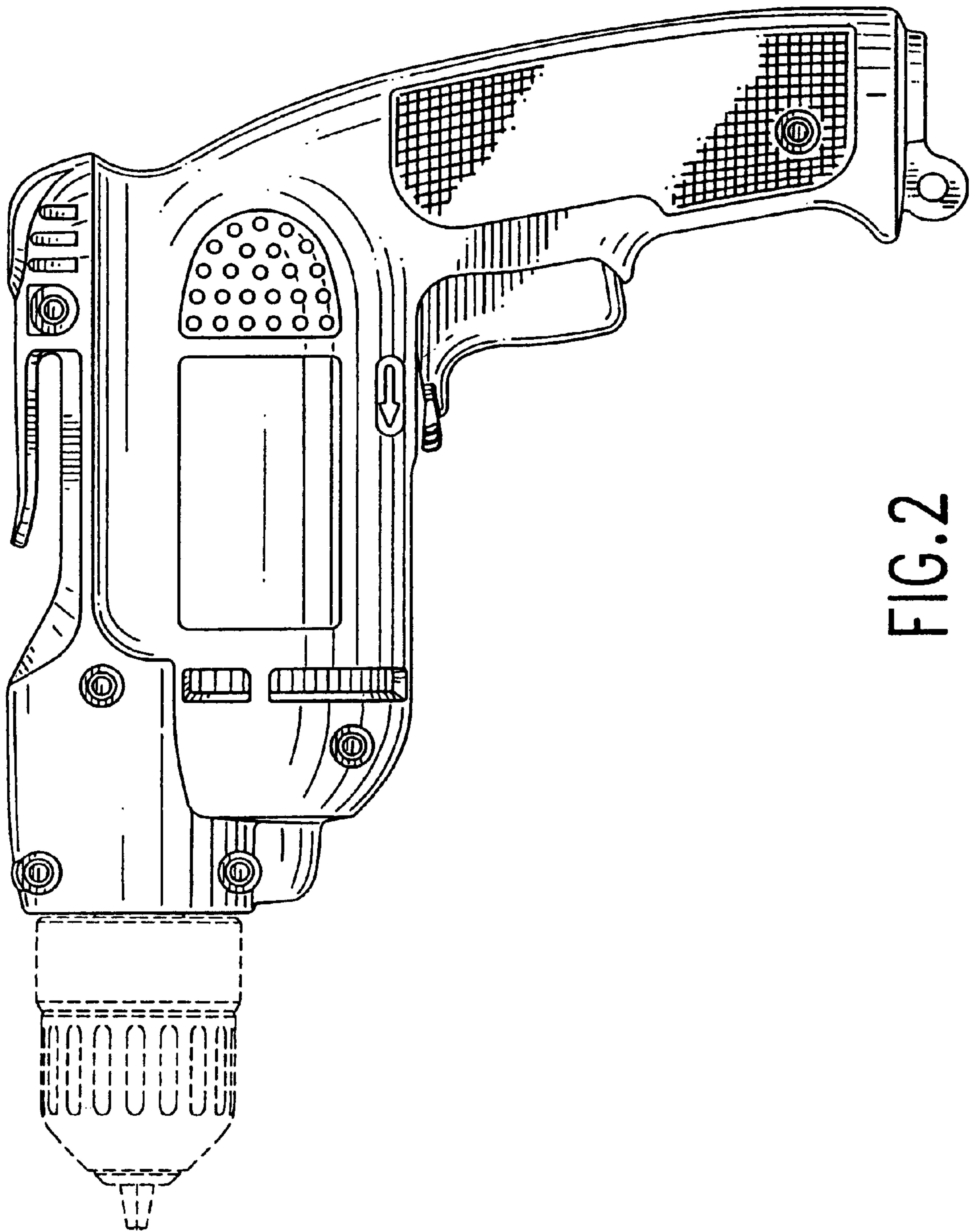


FIG.2

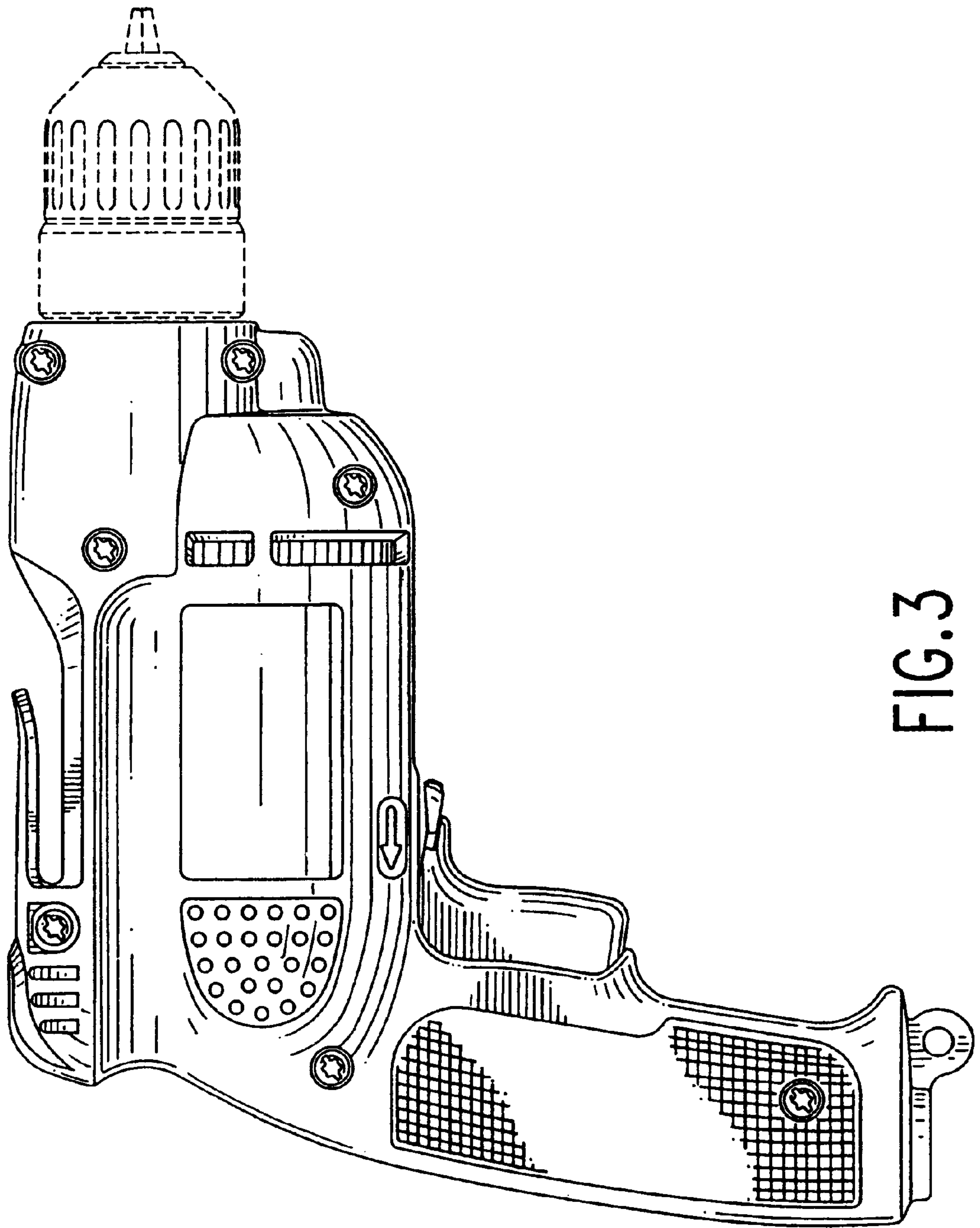


FIG. 3



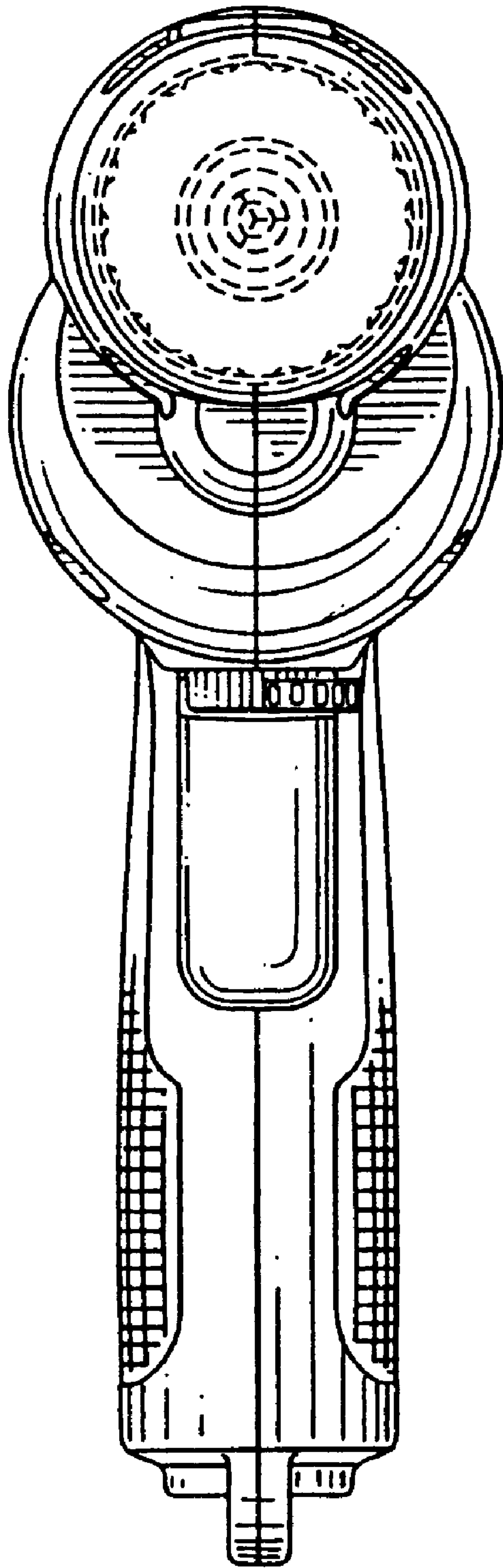


FIG. 4

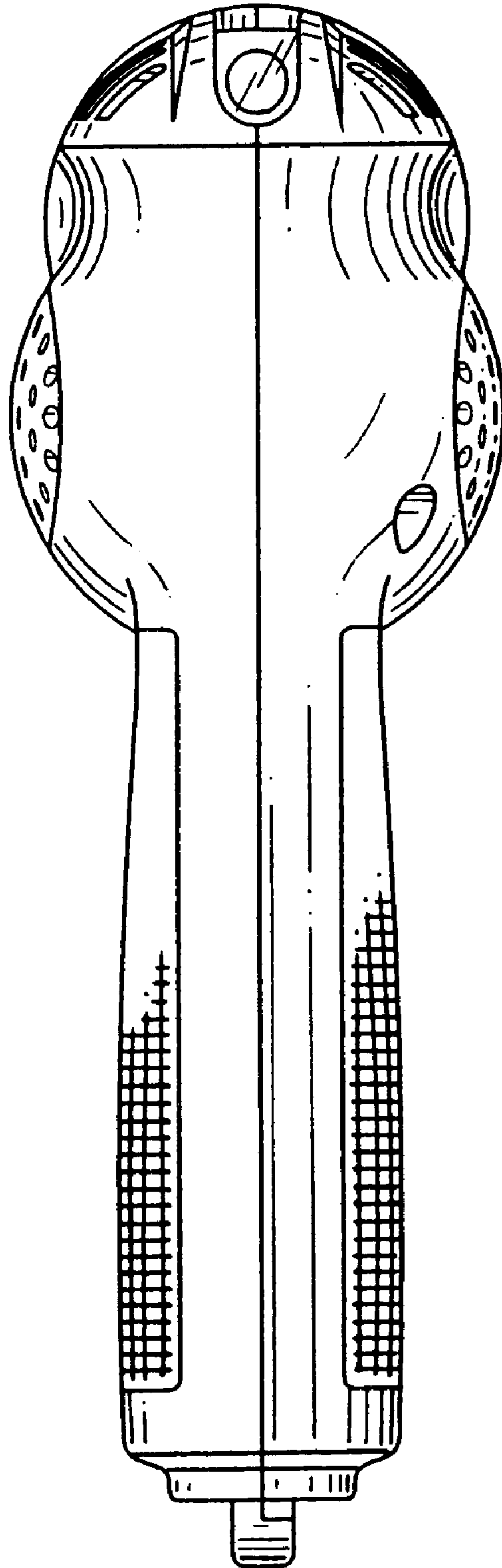


FIG. 5

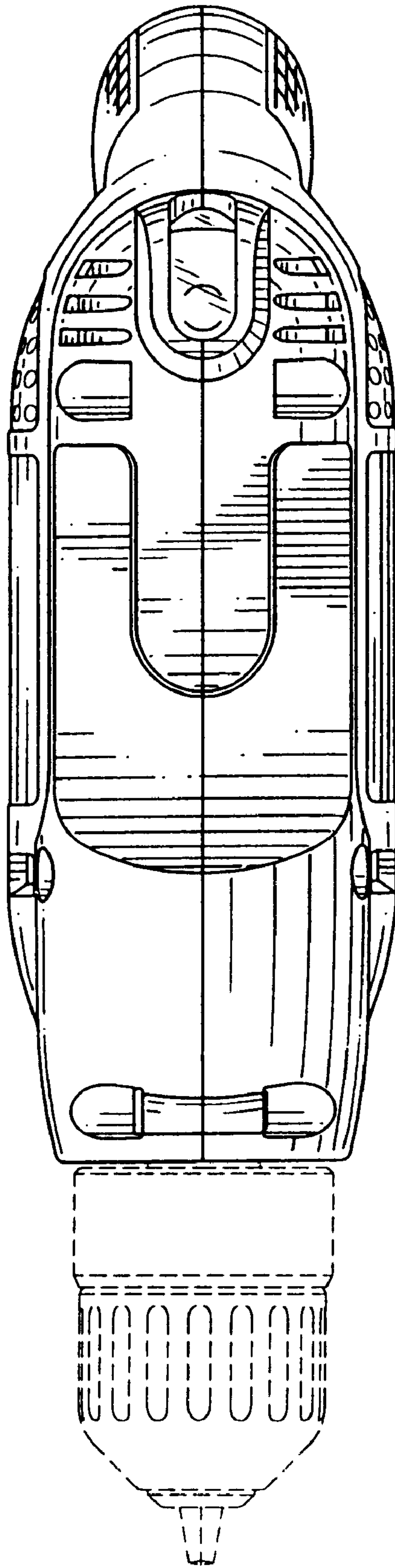


FIG. 6

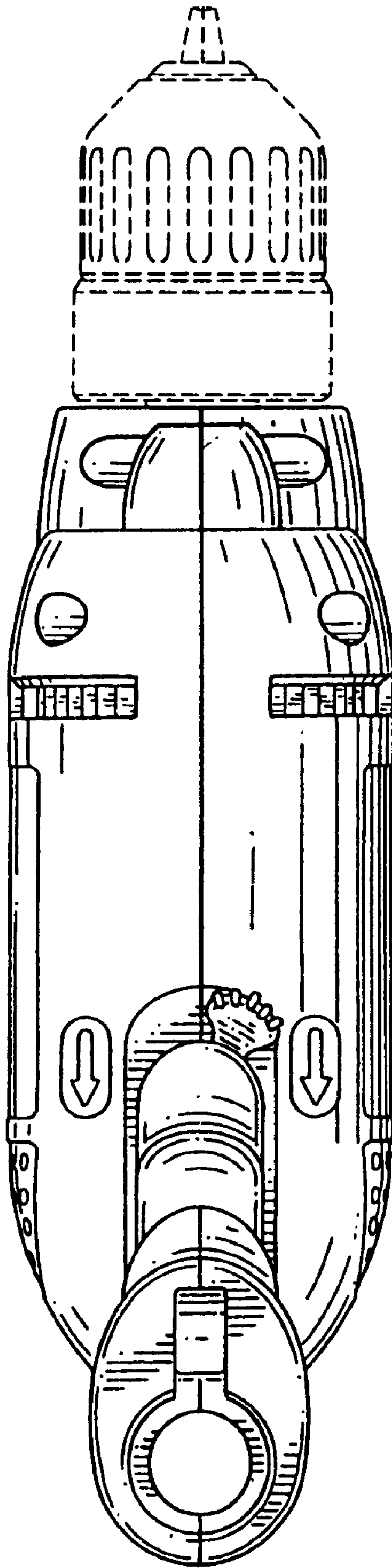


FIG. 7