



US00D466385S

(12) **United States Design Patent**
Shigo et al.

(10) **Patent No.:** **US D466,385 S**

(45) **Date of Patent:** **** Dec. 3, 2002**

(54) **CORDLESS CIRCULAR SAW**

(75) Inventors: **Peter Jon Shigo**, Simpsonville, SC
(US); **Kenneth M. Brazell**, Piedmont,
SC (US)

(73) Assignee: **One World Technologies, Limited**
(BM)

(**) Term: **14 Years**

(21) Appl. No.: **29/154,748**

(22) Filed: **Jan. 28, 2002**

(51) **LOC (7) Cl.** **08-03**

(52) **U.S. Cl.** **D8/66**

(58) **Field of Search** D8/61, 62, 63,
D8/64, 66, 67, 68, 69, 70; 30/374, 375,
376, 377, 388, 389, 390, 391, 392, 393,
394; 173/15, 47, 48, 109, 169, 170, 216,
217; 310/50

(56) **References Cited**

U.S. PATENT DOCUMENTS

D262,772 S	1/1982	Glass et al.	
4,555,849 A	12/1985	Ando et al.	
5,010,651 A	4/1991	Techter et al.	
5,023,999 A	6/1991	Looper et al.	
D327,828 S	7/1992	Hoshino et al.	
D329,363 S	9/1992	Sasaki et al.	
D334,523 S	4/1993	Hoshino et al.	
D363,656 S	10/1995	Gierke	
D378,488 S	3/1997	Ito et al.	
D411,425 S	* 6/1999	Sugimoto et al.	D8/66
D416,181 S	11/1999	Chung	
D418,032 S	12/1999	Watson et al.	
D421,702 S	3/2000	Sakai et al.	
D427,872 S	7/2000	Snider	

D427,873 S	*	7/2000	Inoue	D8/66
D427,874 S	*	7/2000	Hayakawa et al.	D8/66
D428,318 S		7/2000	Gallagher et al.	
D428,319 S		7/2000	Gallagher	
D433,300 S		11/2000	Buck	
6,161,293 A		12/2000	Watson	
D455,013 S		7/2001	Etter et al.	
D449,503 S		10/2001	Tsuzuki et al.	
6,308,424 B1		10/2001	Stielper	

OTHER PUBLICATIONS

Sears, Roebuck and Co., Owner's Manual, Craftsman, 5½ in. Industrial Cordless Trim Saw, Model No. 315.271810, Jul. 1997.

Craftsman Website, 14.4 Volt Trim Saw Kit, 5½ in. Blade, Cordless at Sears.com, 4 pgs., undated.

* cited by examiner

Primary Examiner—Doris V. Coles

Assistant Examiner—Elizabeth A. Albert

(74) *Attorney, Agent, or Firm*—Brooks & Kushman P.C.

(57) **CLAIM**

The ornamental design for a cordless circular saw, as shown.

DESCRIPTION

FIG. 1 is a perspective view of a cordless circular saw; FIG. 2 is a front elevational view thereof; FIG. 3 is a rear elevational view thereof; FIG. 4 is a right side elevational view thereof; FIG. 5 is a left side elevational view thereof; FIG. 6 is a top plan view thereof; and, FIG. 7 is a bottom plan view of the present invention. The broken lines showing environment in the drawings are for illustrative purposes only and form no part of the claimed design.

1 Claim, 3 Drawing Sheets

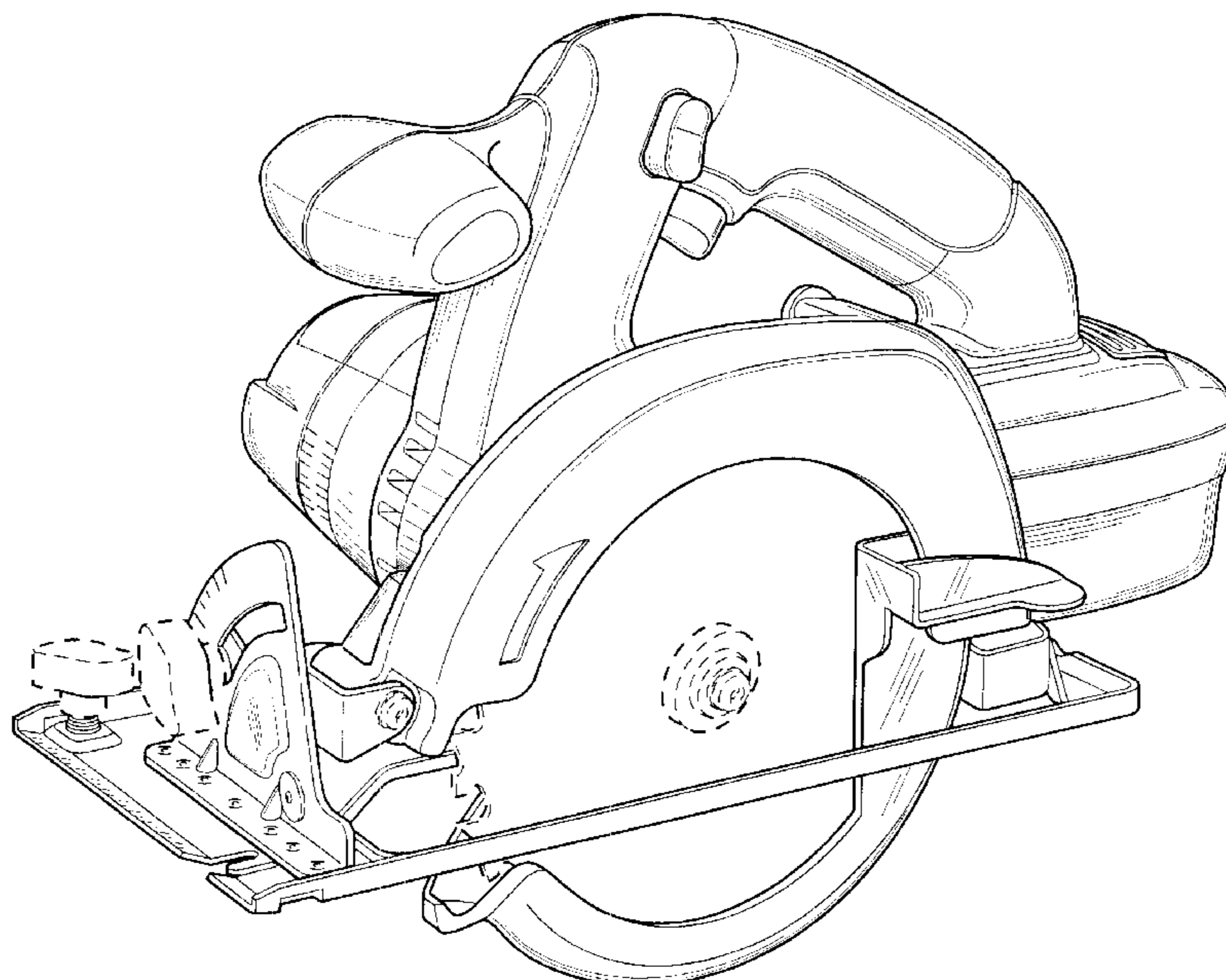


FIGURE - 1

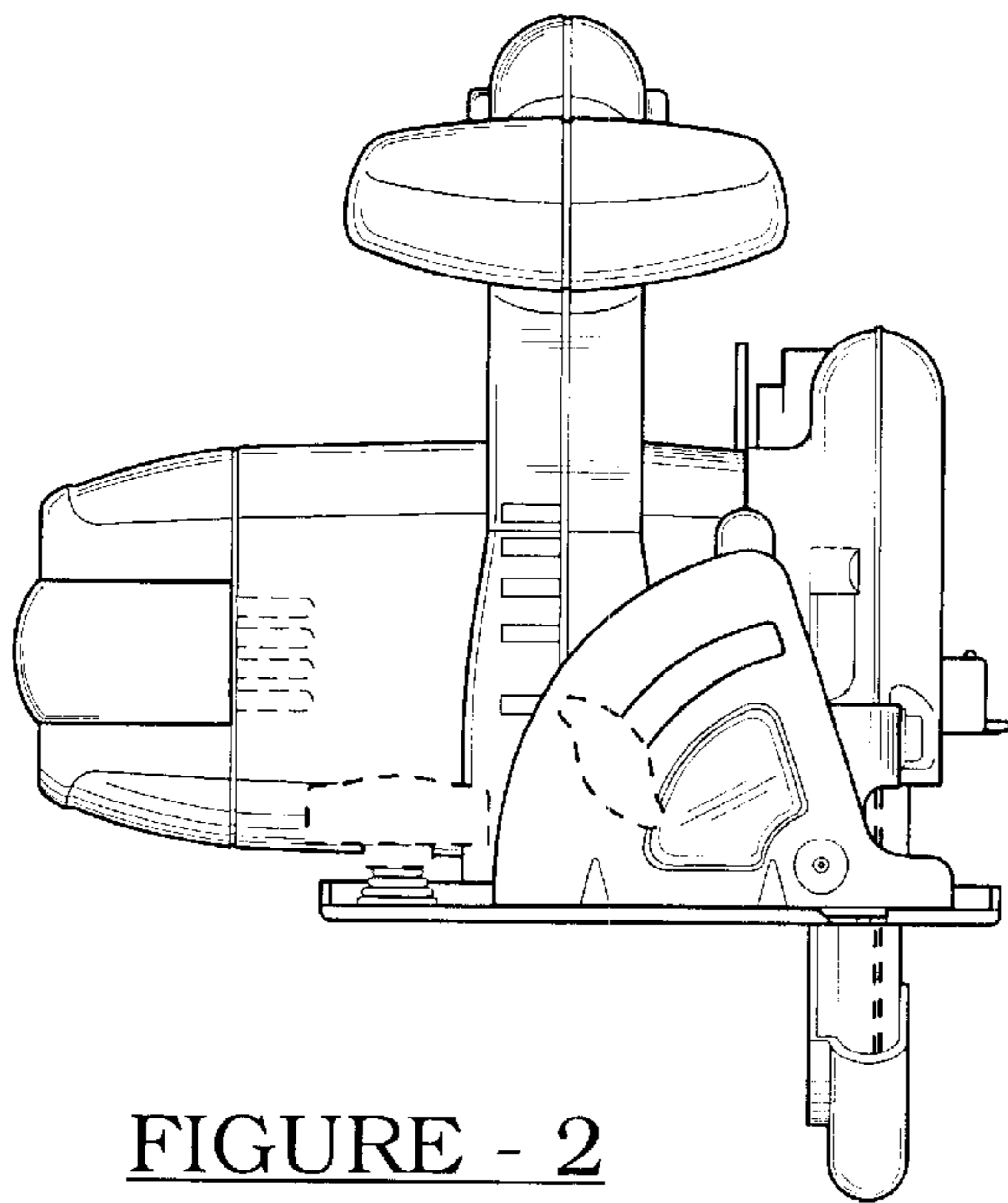
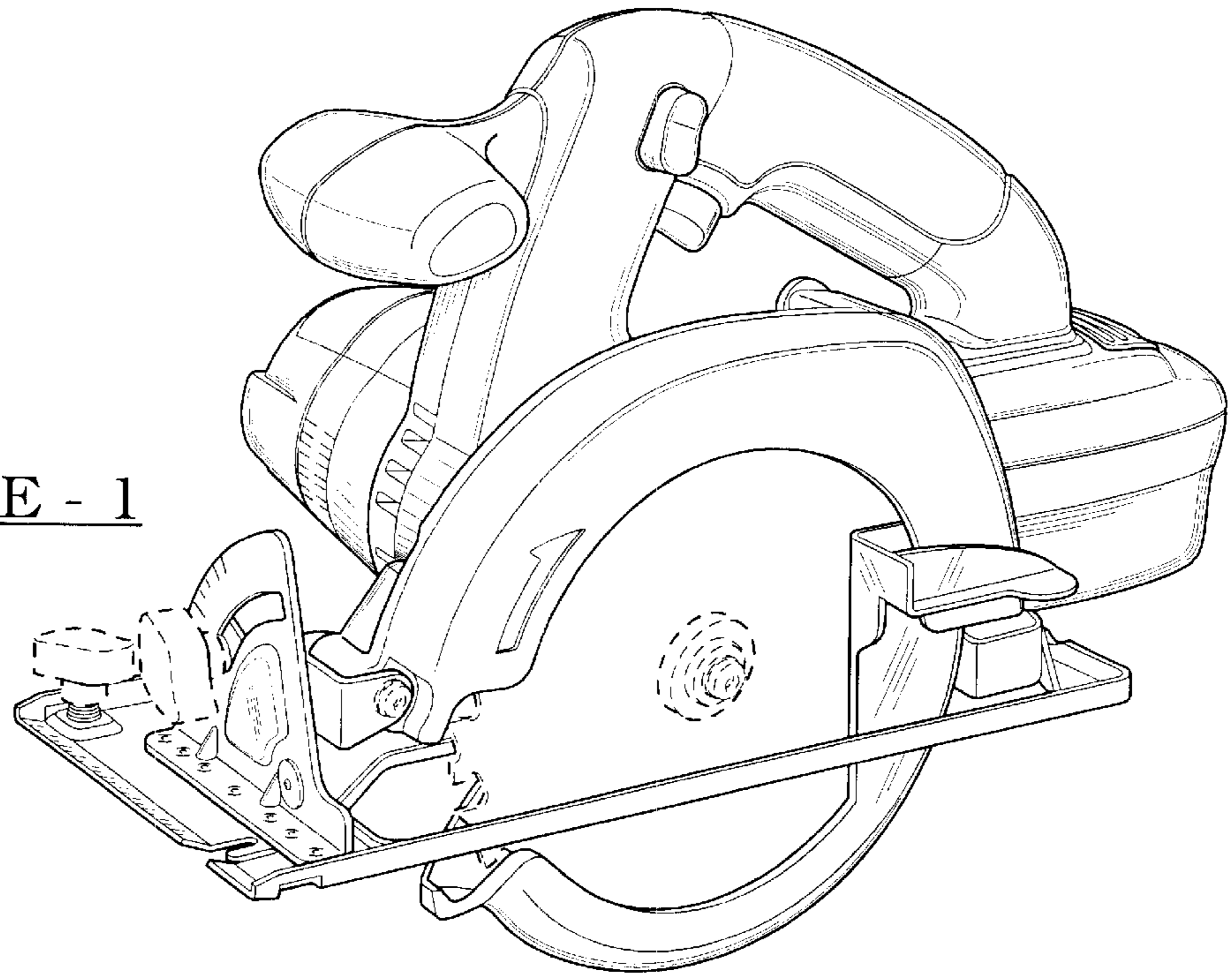


FIGURE - 2

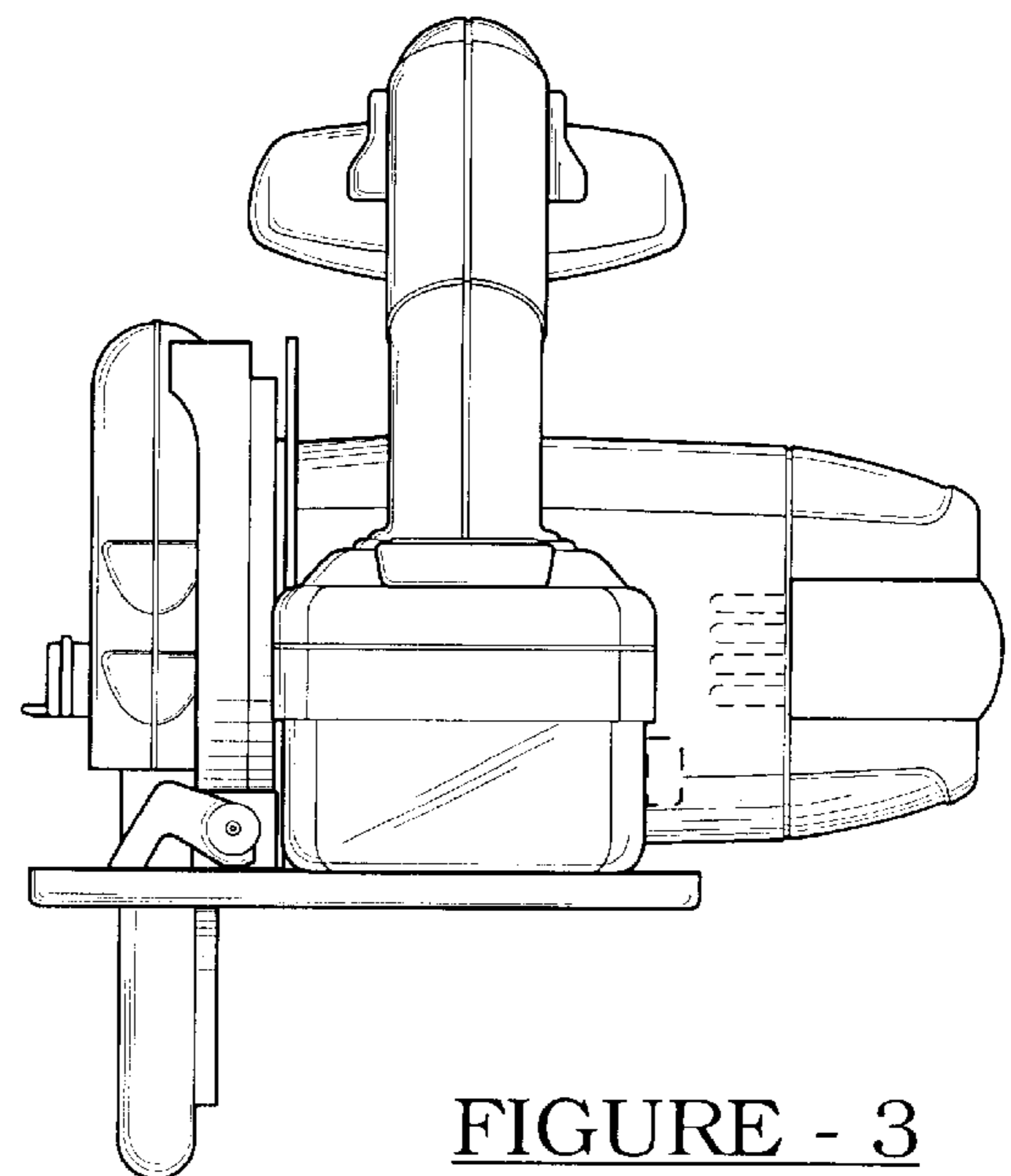


FIGURE - 3

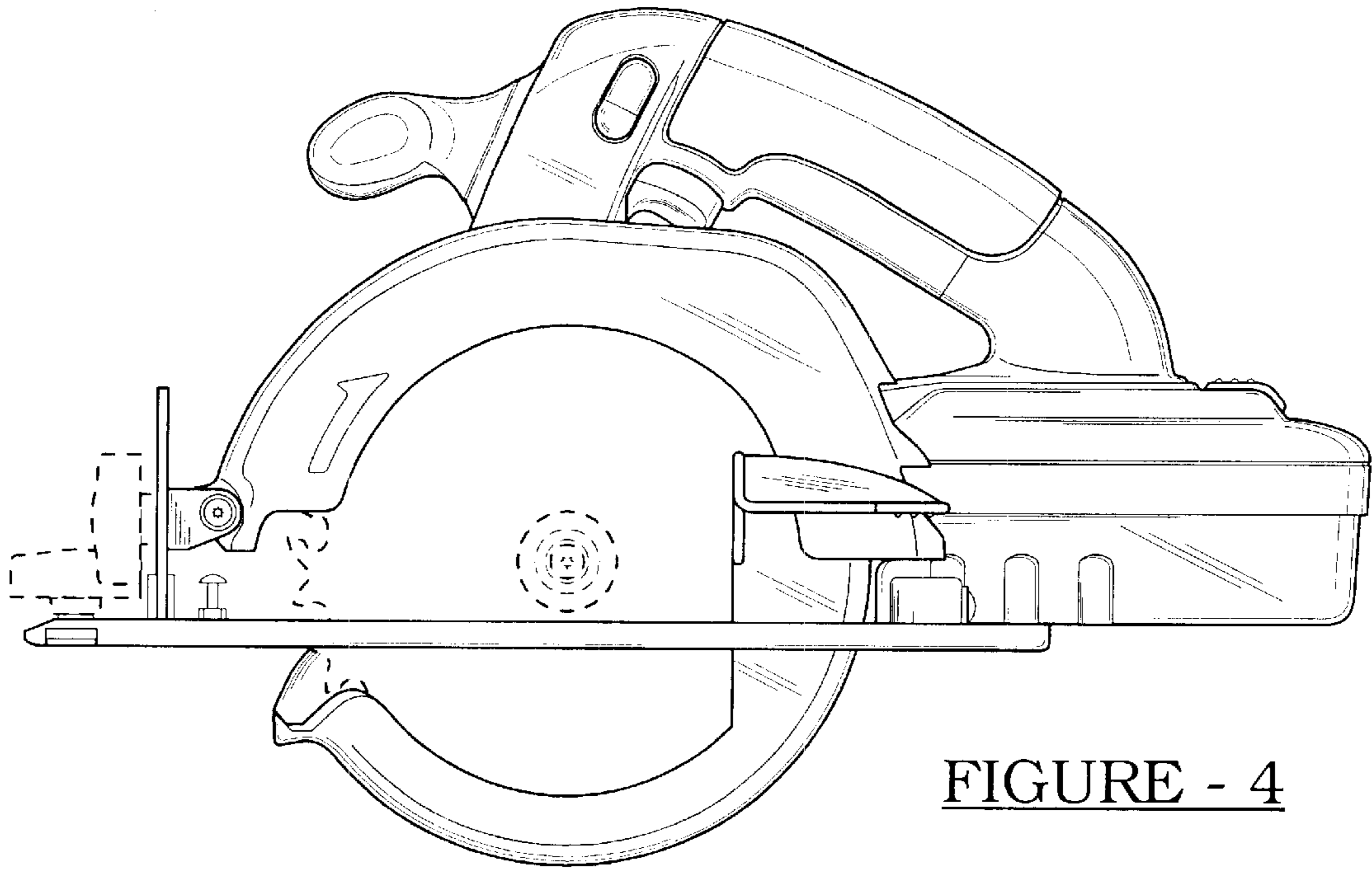


FIGURE - 4

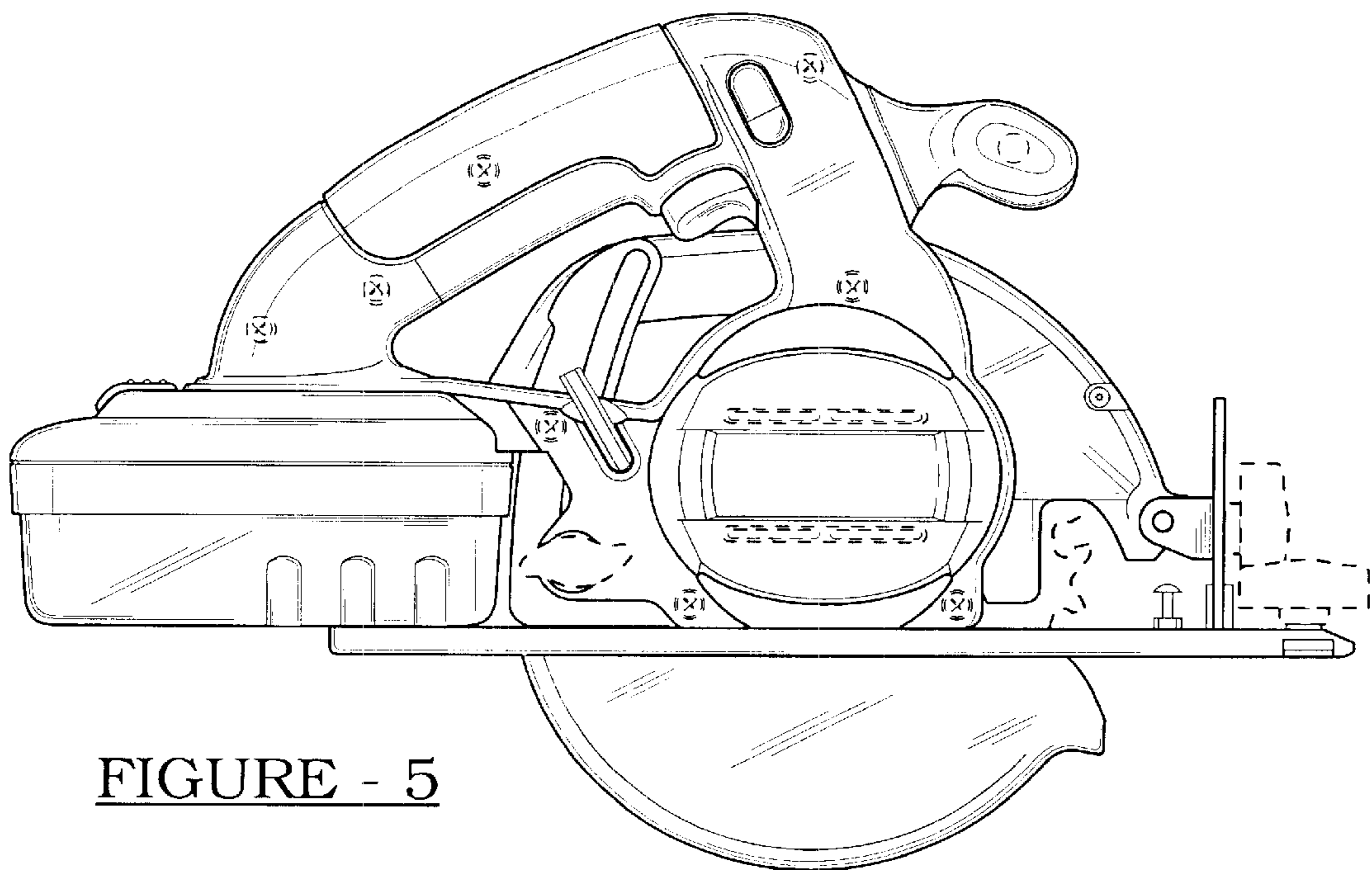


FIGURE - 5

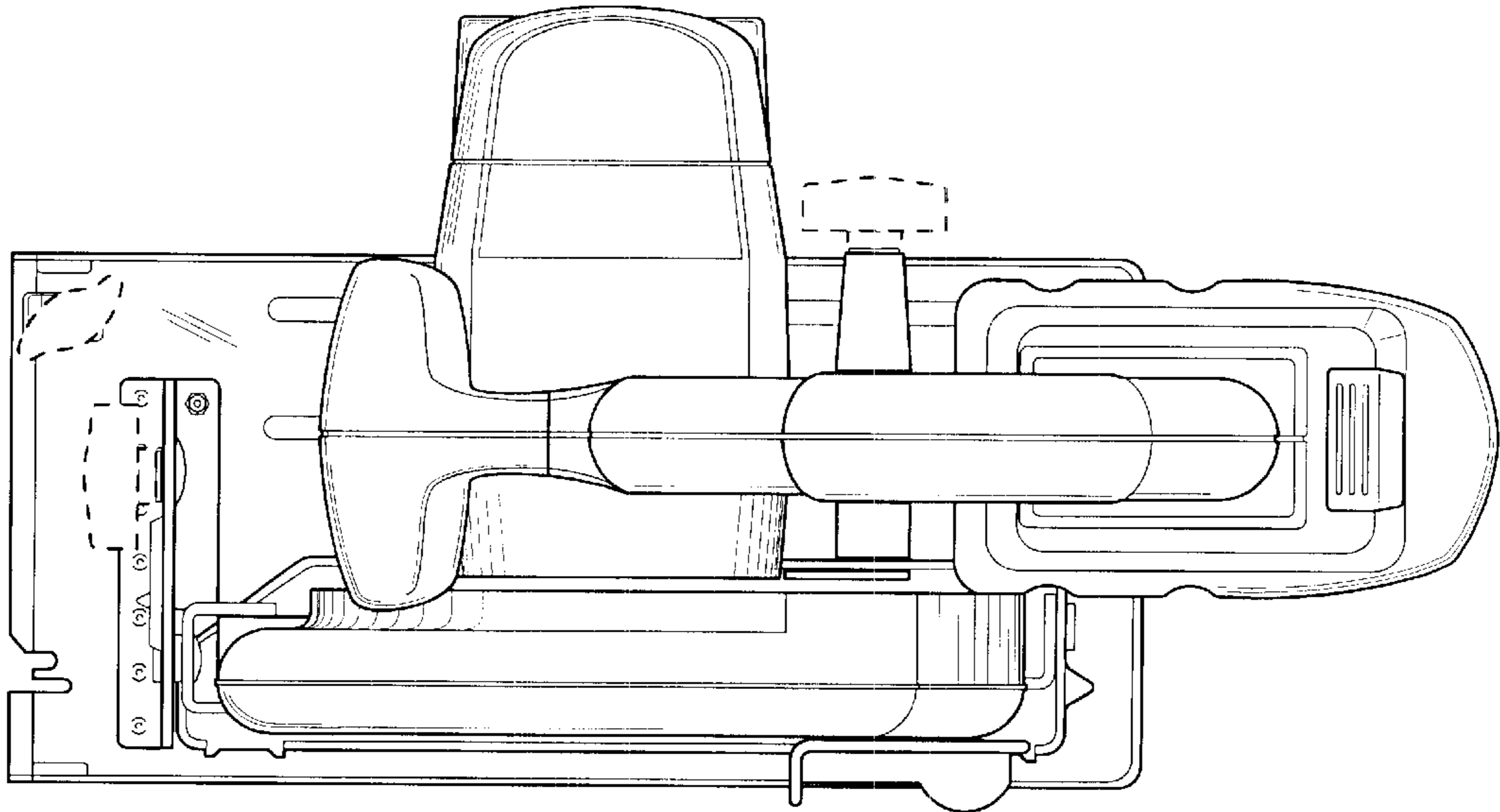


FIGURE - 6

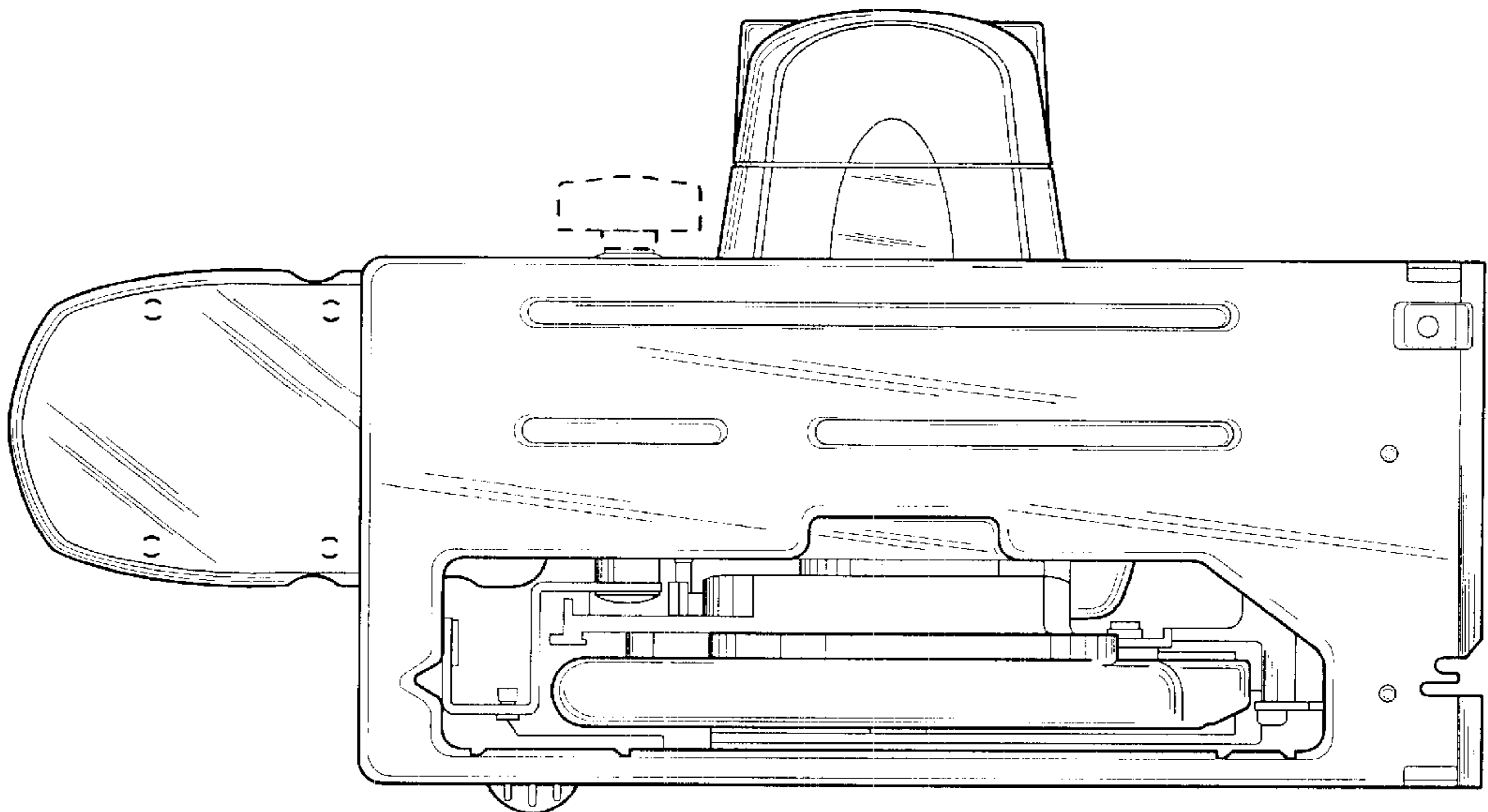


FIGURE - 7