



US00D466382S

(12) **United States Design Patent**  
**Sorensen et al.**

(10) **Patent No.:** **US D466,382 S**

(45) **Date of Patent:** **\*\* Dec. 3, 2002**

(54) **SOCKET WRENCH WITH HANDLE-  
HOUSED DRIVE SOCKETS**

(75) Inventors: **Joseph A. Sorensen**, Bozeman, MT  
(US); **Charles A. Poremba**, Bozeman,  
MT (US); **Howard F. Jelinek**,  
Naperville, IL (US)

(73) Assignee: **WMH Tool Group, Inc.**, Palatine, IL  
(US)

(\*\*) Term: **14 Years**

(21) Appl. No.: **29/156,290**

(22) Filed: **Feb. 26, 2002**

**Related U.S. Application Data**

(63) Continuation of application No. 09/707,266, filed on Nov. 6,  
2000.

(51) **LOC (7) Cl.** ..... **08-05**

(52) **U.S. Cl.** ..... **D8/29**

(58) **Field of Search** ..... D8/21-29; 81/177.4,  
81/490, 177.1, 176.1, 119, 121.1-124.7,  
177.2, 177.6, 489, 177.85, 60, 61, 62, 63.2

(56) **References Cited**

**U.S. PATENT DOCUMENTS**

- 1,596,951 A 2/1926 Smith
- 2,065,340 A \* 12/1936 McNaught et al.
- D194,708 S \* 2/1963 Fink ..... D8/29
- 4,043,230 A 8/1977 Scrivens
- 4,253,356 A 3/1981 Martinmass
- 4,302,990 A 12/1981 Chrichton et al.
- 4,352,307 A 10/1982 Martinmaas

- RE31,140 E 2/1983 Martinmaas
- 4,627,315 A 12/1986 Lin
- 4,727,782 A 3/1988 Yang
- D310,770 S \* 9/1990 Zamarripa ..... D8/29
- 5,228,570 A 7/1993 Robinson
- 5,320,004 A 6/1994 Hsiao
- 5,421,225 A 6/1995 Chen

\* cited by examiner

*Primary Examiner*—Raphael Barkai

(74) *Attorney, Agent, or Firm*—Fitch, Even, Tabin, &  
Flannery

(57) **CLAIM**

We claim the ornamental design for a socket wrench with  
handle-housed drive sockets, as shown and described.

**DESCRIPTION**

FIG. 1 is a perspective view of a socket wrench with  
handle-housed drive sockets;

FIG. 2 is a top plan view of the socket wrench with  
handle-housed drive sockets of FIG. 1;

FIG. 3 is a bottom plan view of the socket wrench with  
handle-housed drive sockets of FIG. 1;

FIG. 4 is a left side elevational view of the socket wrench  
with handle-housed drive sockets of FIG. 1, the broken lines  
of the socket wrench are for illustrative purposes only and  
form no part of the claimed design;

FIG. 5 is a right side elevational view of the socket wrench  
with handle-housed drive sockets of FIG. 1;

FIG. 6 is a front elevational view of the socket wrench with  
handle-housed drive sockets of FIG. 1; and,

FIG. 7 is a rear elevational view of the socket wrench with  
handle-housed drive sockets of FIG. 1.

**1 Claim, 4 Drawing Sheets**

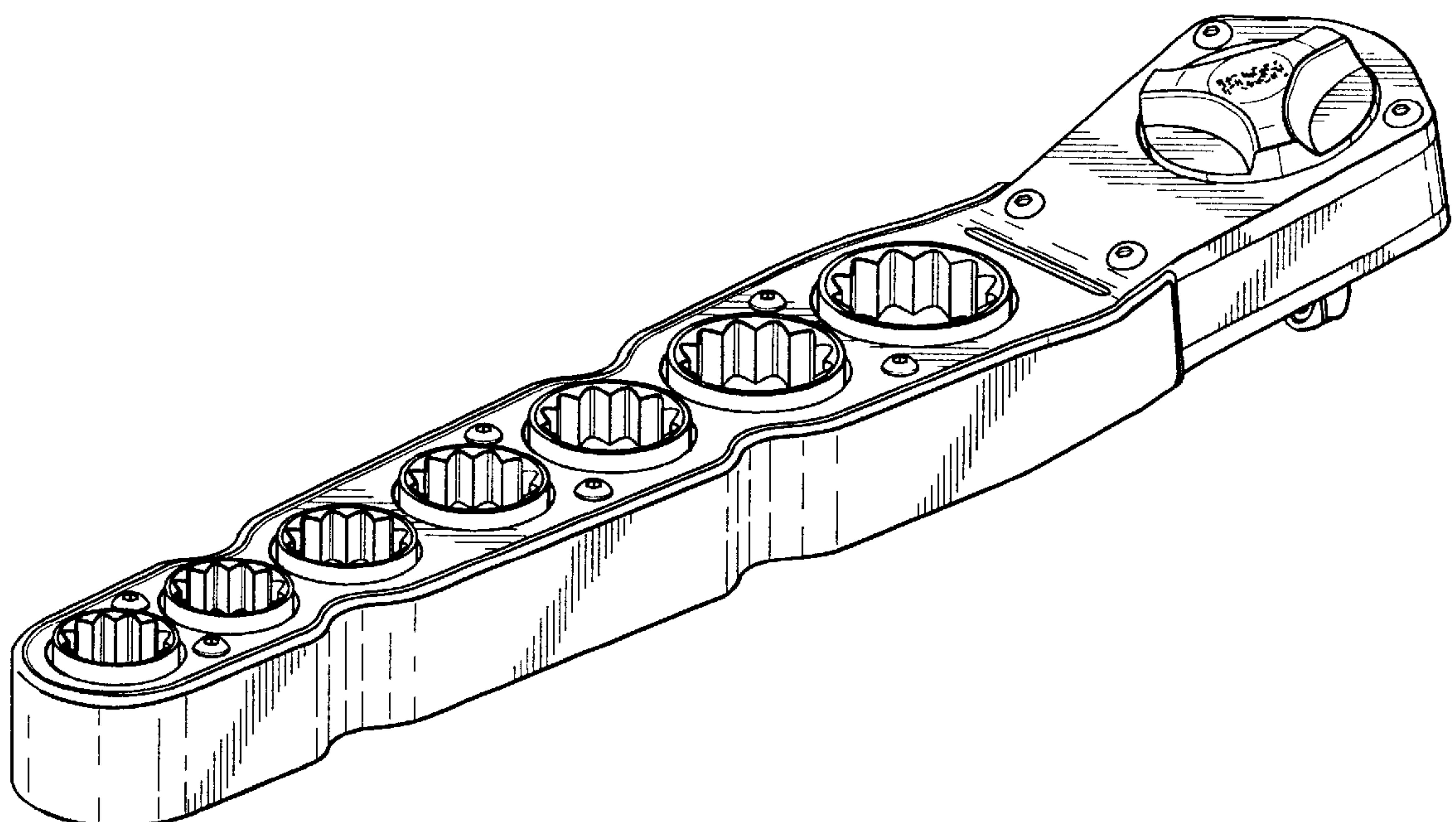


Fig. 1

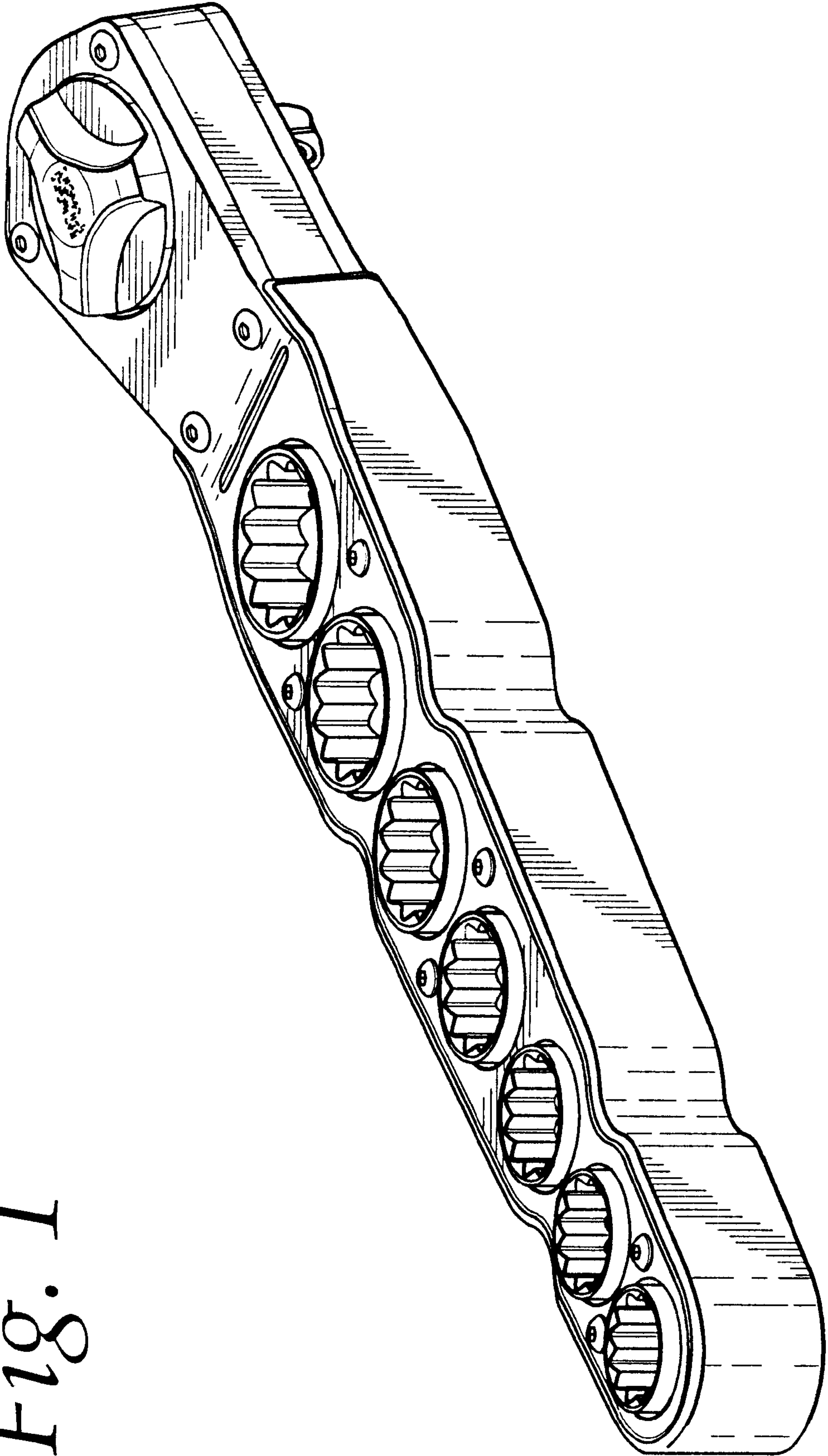


Fig. 2

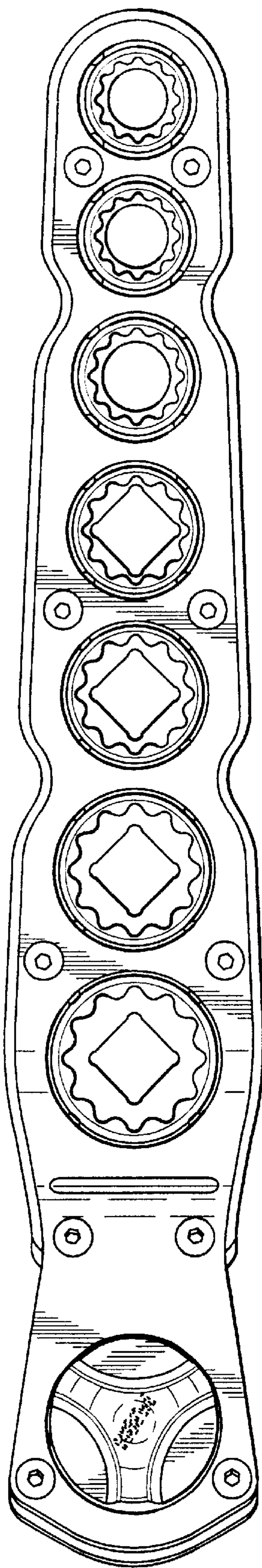


Fig. 3

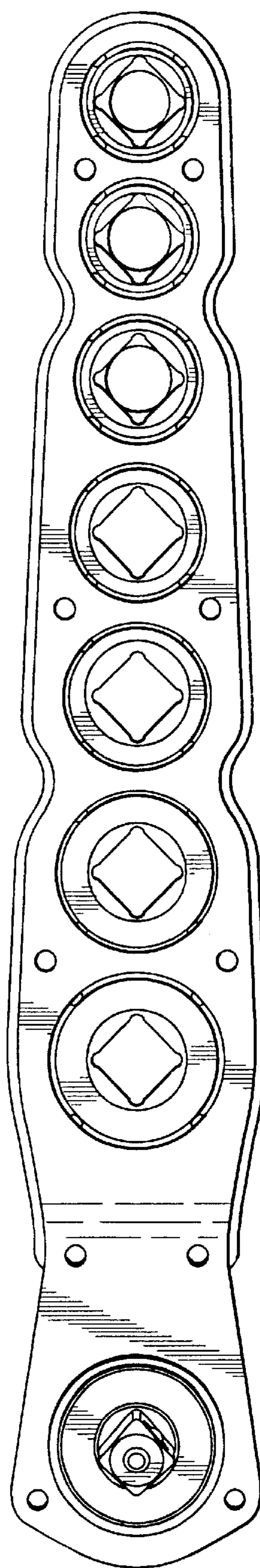




Fig. 4

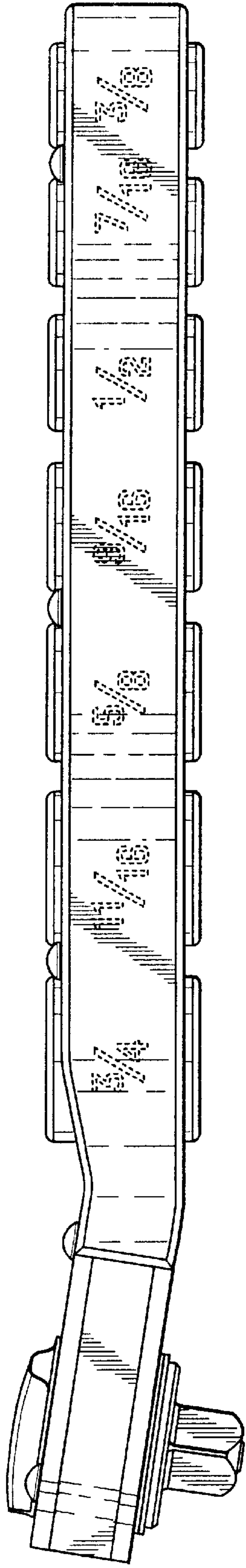
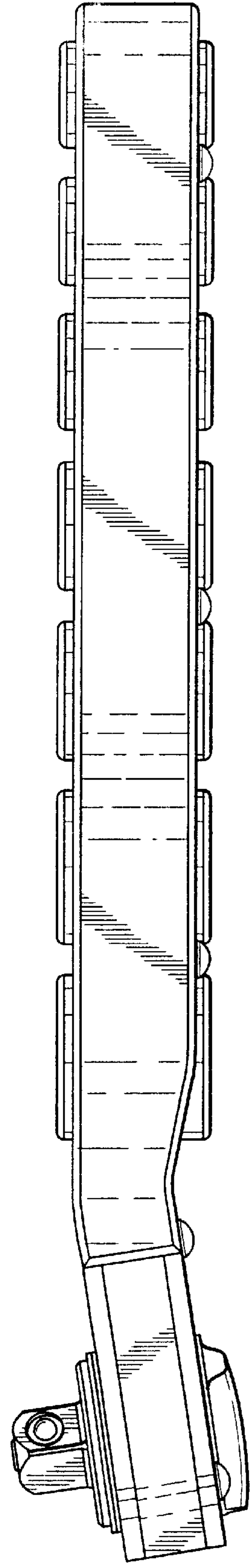
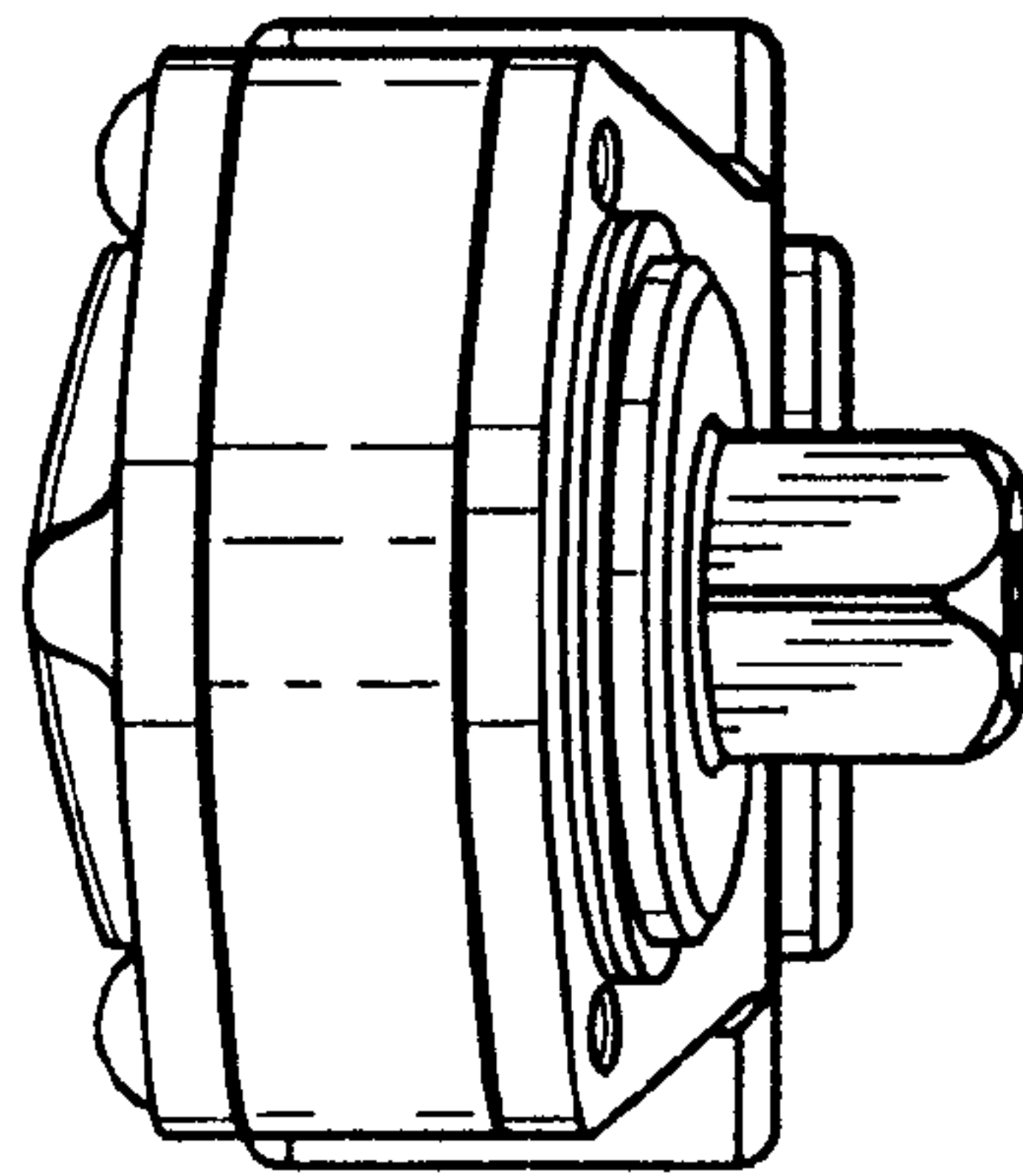


Fig. 5



*Fig. 6*



*Fig. 7*

