



US00D466380S

(12) **United States Design Patent**  
**Dickson**

(10) **Patent No.:** **US D466,380 S**

(45) **Date of Patent:** **\*\* Dec. 3, 2002**

(54) **CERAMIC WALL AND FLOOR TILE LAYING GUIDE**

(76) **Inventor:** **Alan Dickson**, 91 Wellside,  
Haddington, East Lothian EH41-4RP  
(GB)

(\*\*) **Term:** **14 Years**

(21) **Appl. No.:** **29/146,815**

(22) **Filed:** **Aug. 17, 2001**

(51) **LOC (7) Cl.** ..... **08-05**

(52) **U.S. Cl.** ..... **D8/14**

(58) **Field of Search** ..... D8/14, 71; 33/526,  
33/527, 533

(56) **References Cited**

**U.S. PATENT DOCUMENTS**

4,953,341 A	9/1990	Joos	
5,181,326 A	1/1993	Eberline	
5,201,130 A	4/1993	Krchnak	33/526
5,288,534 A	2/1994	Tavshanjian	428/64
5,359,783 A	* 11/1994	Smith	33/526

5,459,938 A	10/1995	Knight et al.	33/526
5,471,758 A	12/1995	White, Sr.	33/527
5,701,680 A	12/1997	Garcia et al.	33/526
5,768,793 A	* 6/1998	Fields	33/526
5,832,619 A	* 11/1998	Volkema, Jr.	33/527

\* cited by examiner

*Primary Examiner*—Philip S. Hyder

(74) *Attorney, Agent, or Firm*—Donald R. Schoonover

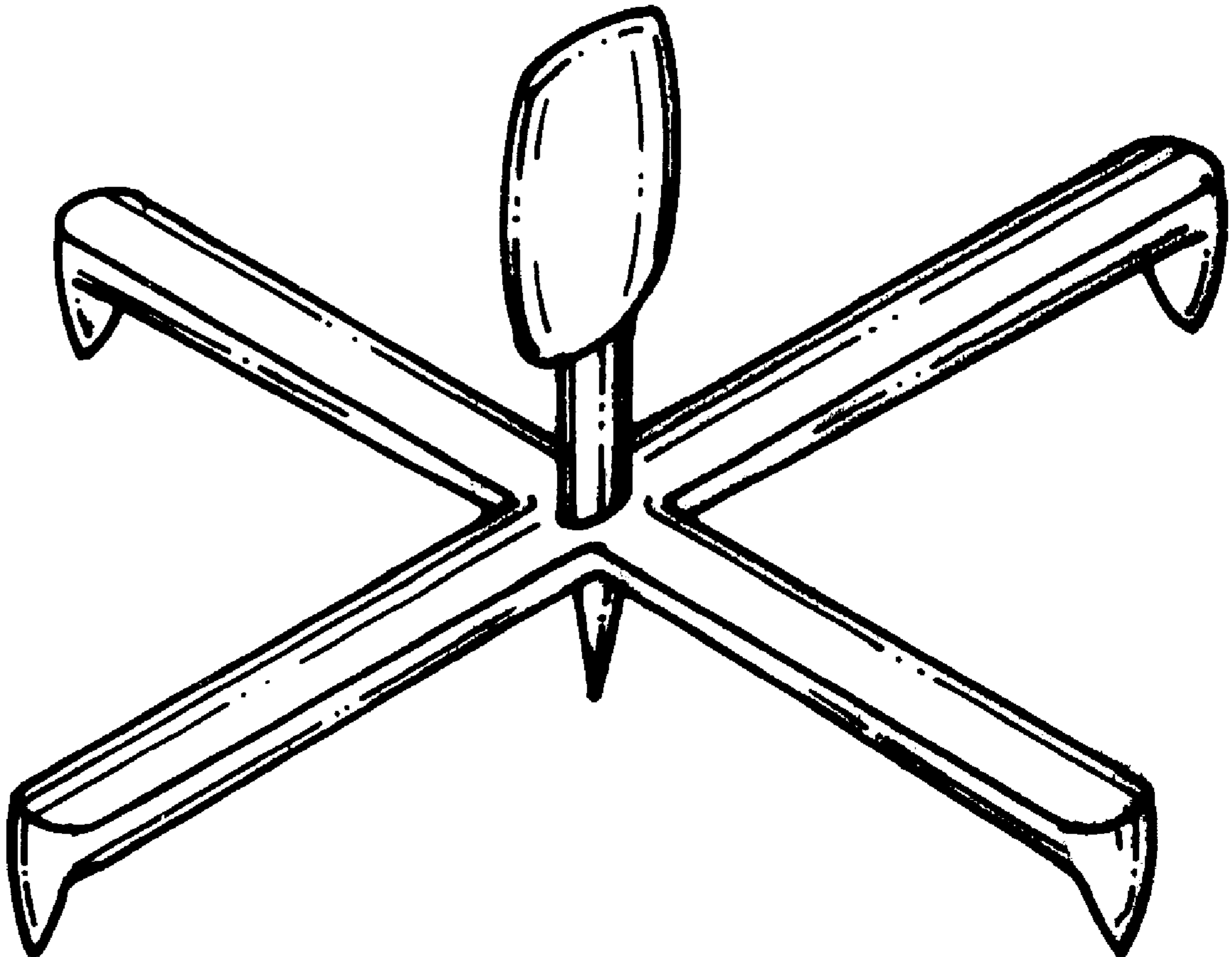
(57) **CLAIM**

I claim the ornamental design for a ceramic wall and floor tile laying guide, as shown and described.

**DESCRIPTION**

FIG. 1 is a perspective view of the ceramic wall and floor tile laying guide embodying the design of the present invention. FIG. 2 is a front elevational view thereof, the rear elevational view being identical thereto; FIG. 3 is a side elevational view thereof; FIG. 4 is a top plan view thereof; and, FIG. 5 is a bottom plan view thereof.

**1 Claim, 4 Drawing Sheets**



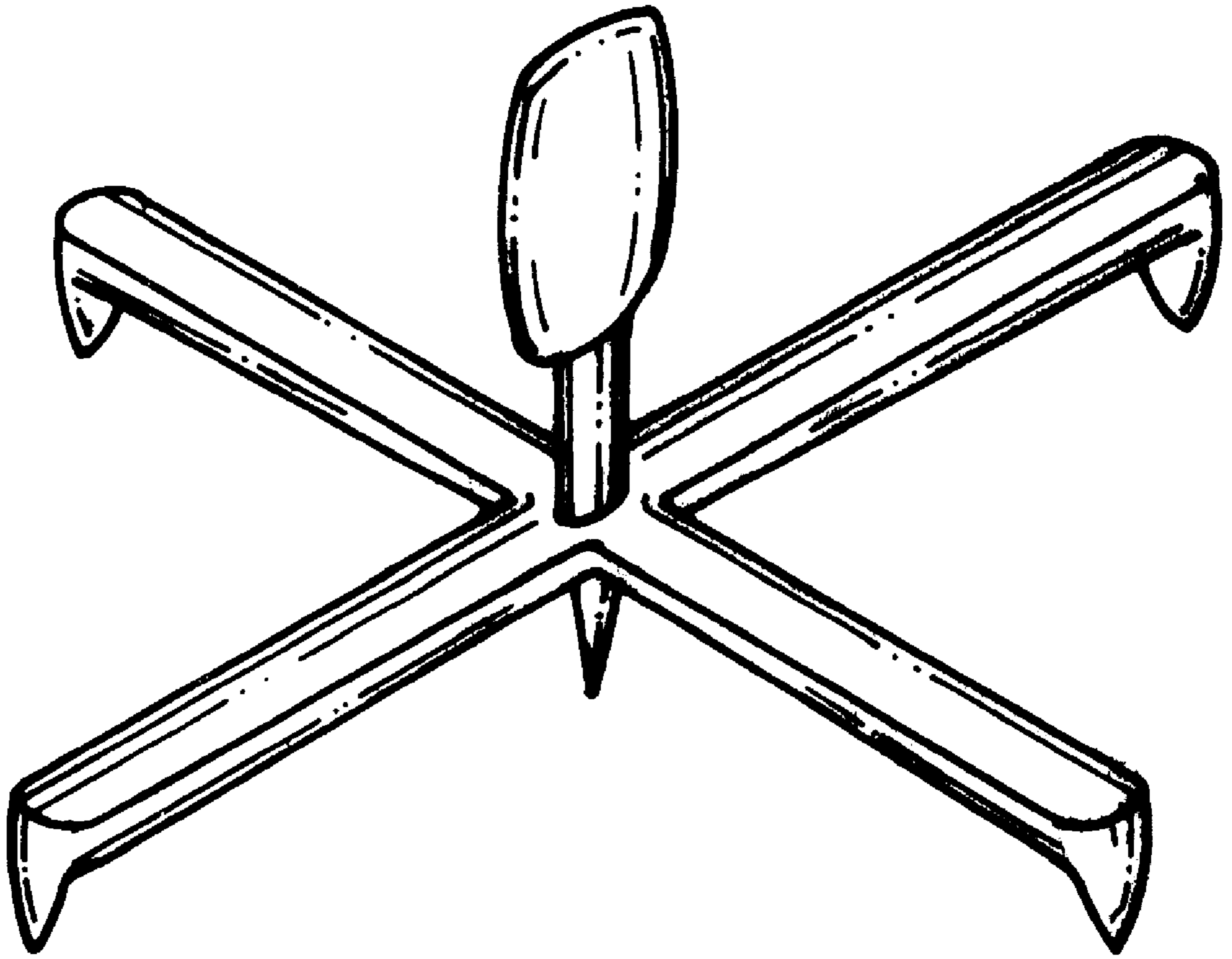


FIG. 1.

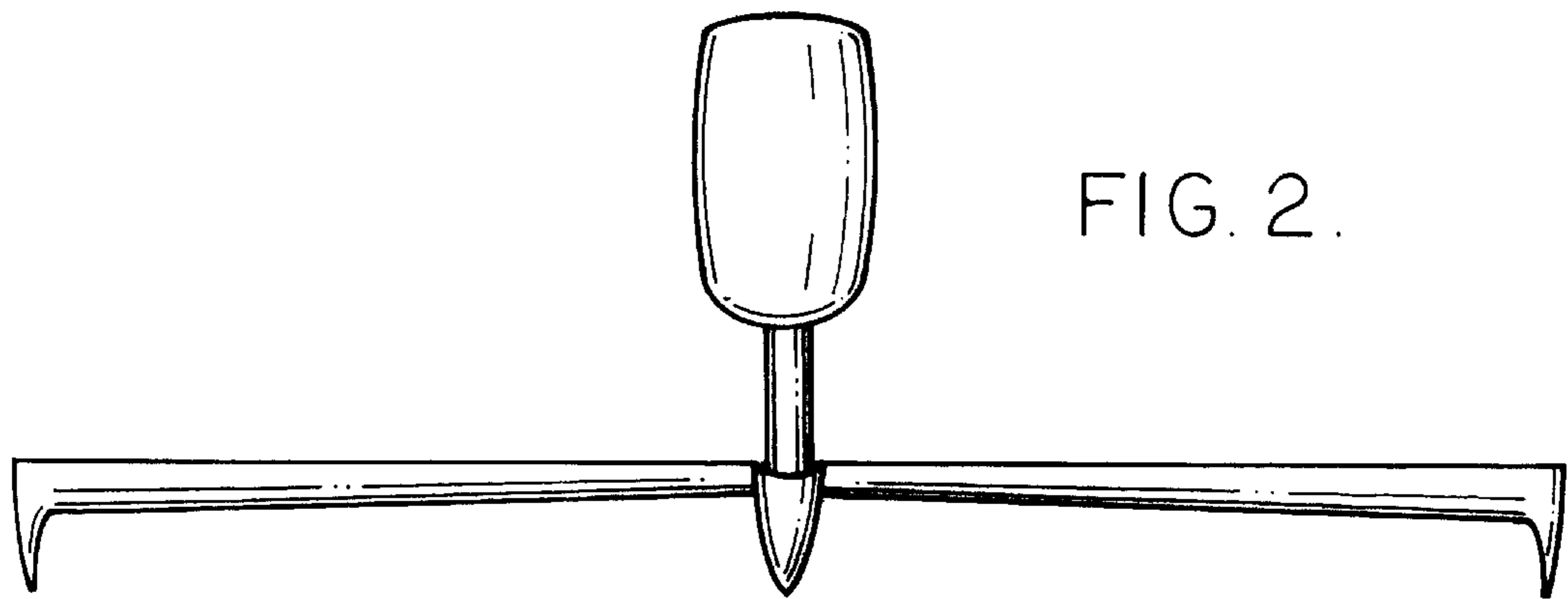


FIG. 2.

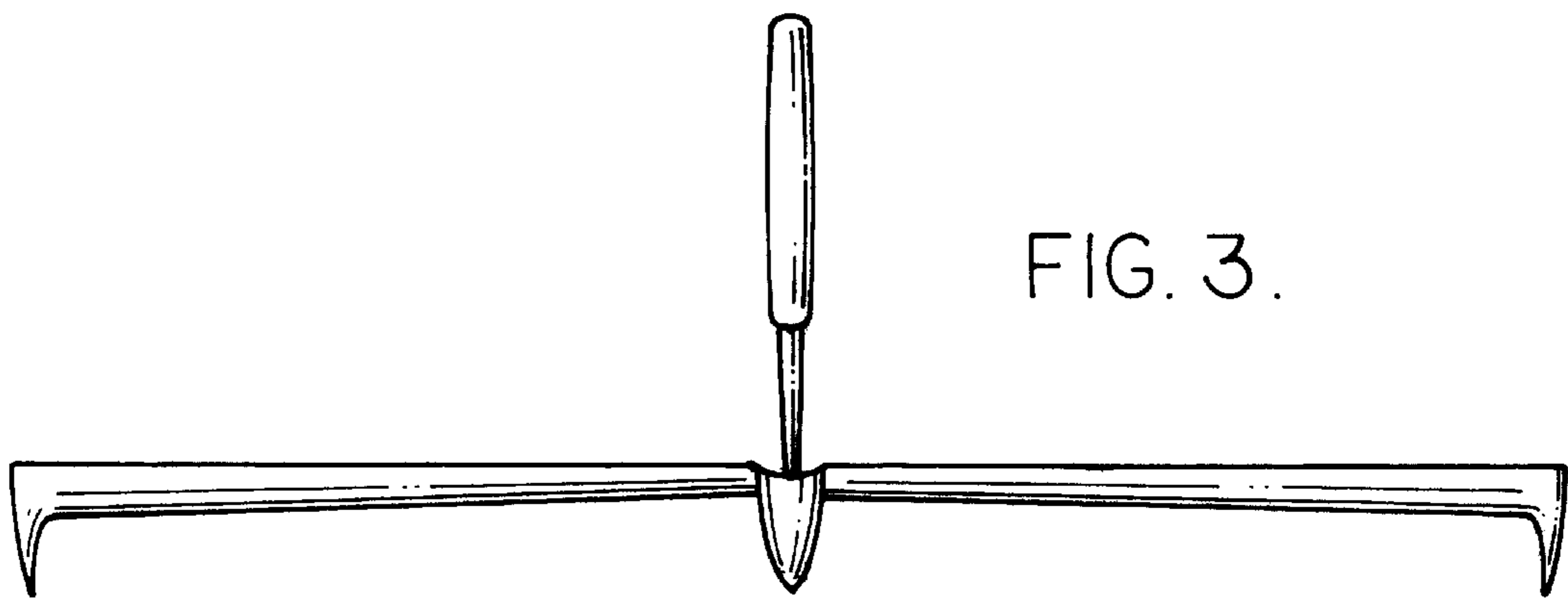


FIG. 3.

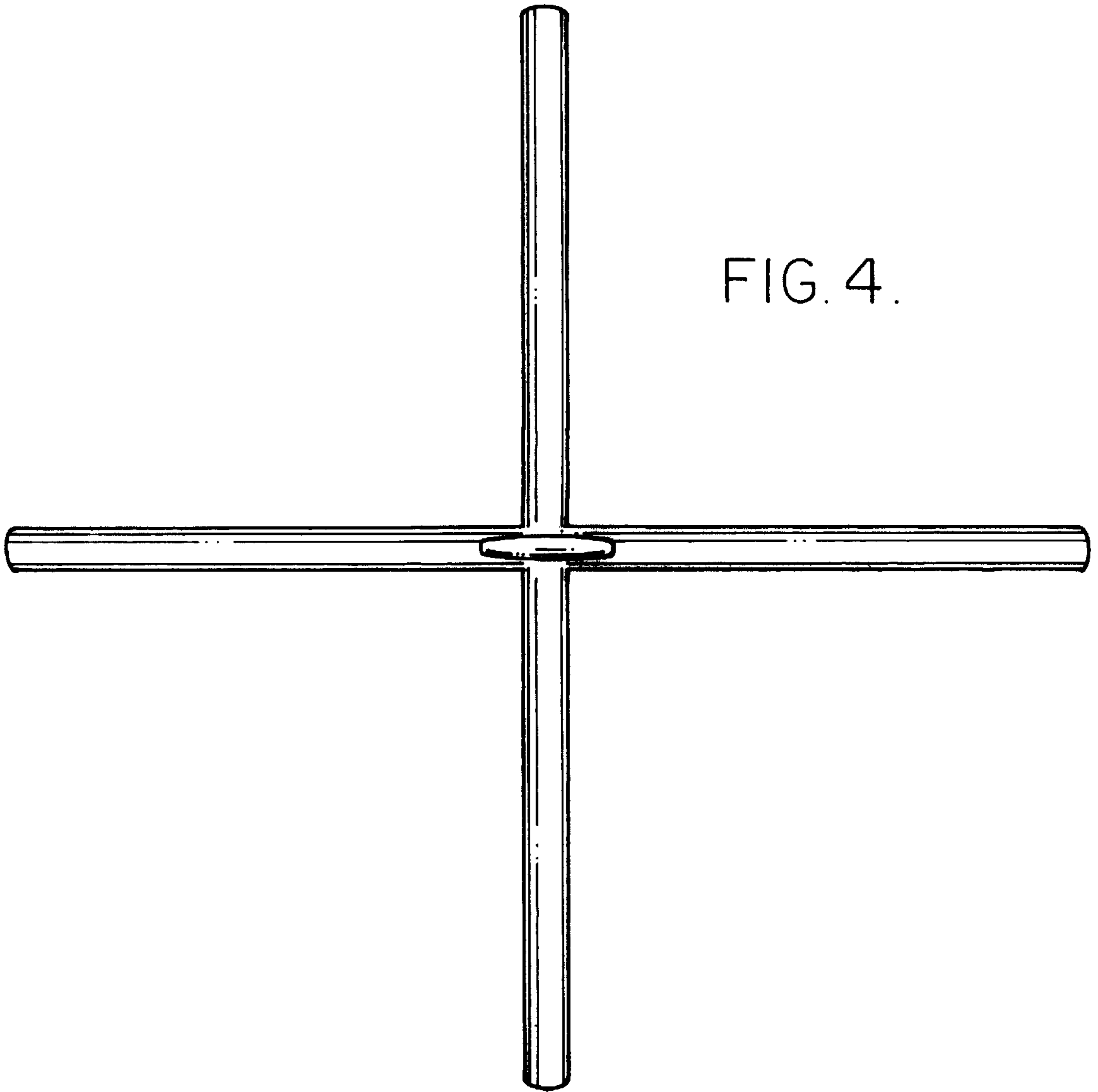


FIG. 4.

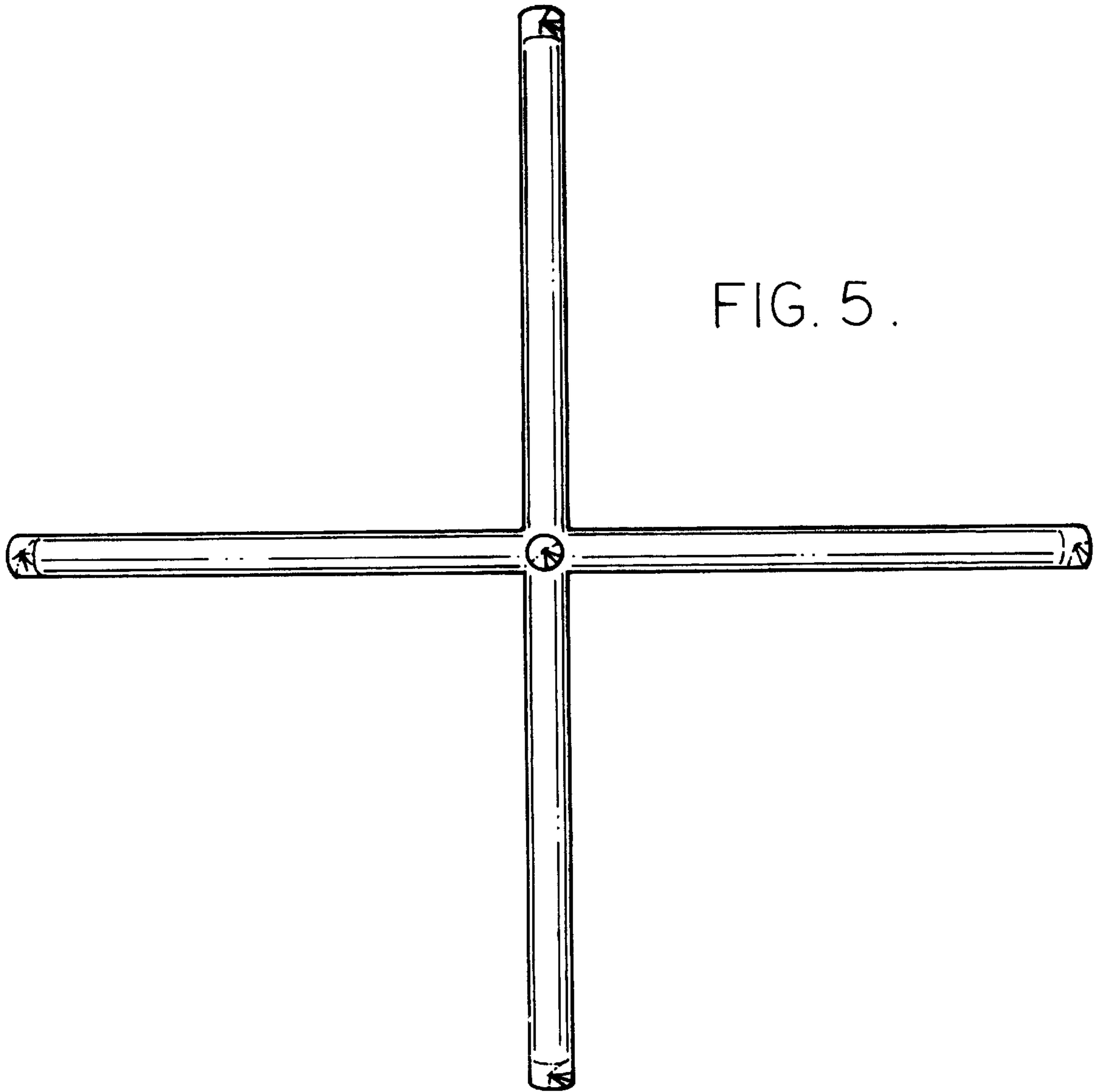


FIG. 5.