



US00D466372S

(12) **United States Design Patent**
Hunter

(10) **Patent No.:** **US D466,372 S**

(45) **Date of Patent:** **** Dec. 3, 2002**

(54) **INSULATED CONTAINER**

(76) Inventor: **John W. Hunter**, 7100 Gallery Ct.,
Germantown, TN (US) 38138

(**) Term: **14 Years**

(21) Appl. No.: **29/150,307**

(22) Filed: **Nov. 20, 2001**

(51) **LOC (7) Cl.** **07-01**

(52) **U.S. Cl.** **D7/605**

(58) **Field of Search** D7/605-608; 62/457.1-457.7,
62/371, 372; 220/592.2, 592.24, 592.25,
915.1, 915.2

(56) **References Cited**

U.S. PATENT DOCUMENTS

2,961,124	A	*	11/1960	Hunter et al.	215/395	X
D194,639	S	*	2/1963	Szantay	D7/605	
4,280,336	A	*	7/1981	Taylor	62/457.5	
D315,659	S	*	3/1991	DeLeon et al.	D7/606	

* cited by examiner

Primary Examiner—Terry A. Wallace

(74) *Attorney, Agent, or Firm*—Walker, McKenzie &
Walker, P.C.

(57) **CLAIM**

The ornamental design for an insulated container, as shown and described.

DESCRIPTION

FIG. 1 is a perspective view of an insulated container, showing a preferred embodiment of my new design, as taken from the front, right, with a handle portion thereof in a raised position.

FIG. 2 is a top plan view of the insulated container of FIG. 1.

FIG. 3 is a front elevation of the insulated container of FIG. 1, the rear elevation being substantially a mirror image thereof.

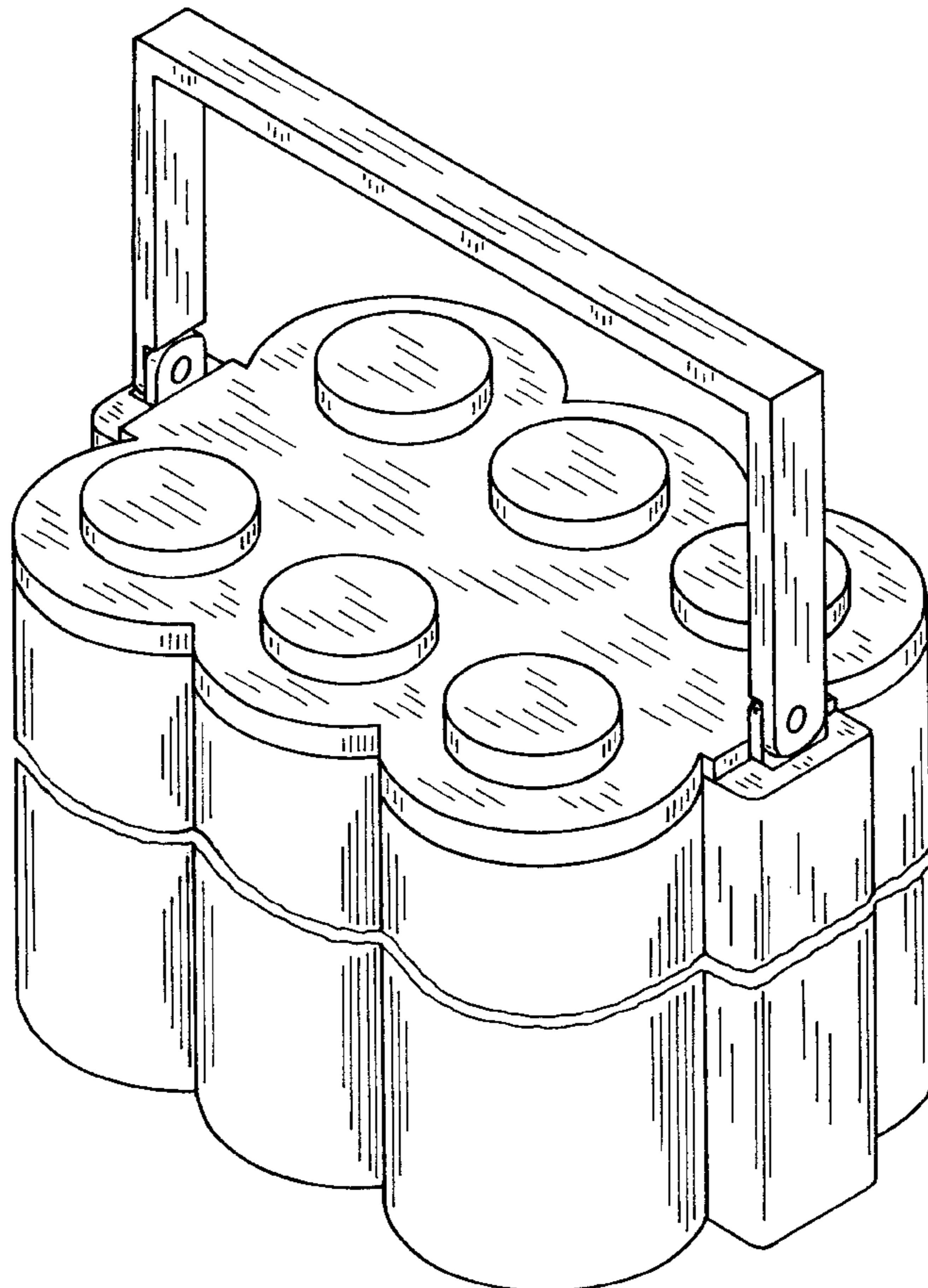
FIG. 4 is a right end elevation of the insulated container of FIG. 1, the left end elevation being substantially a mirror image thereof.

FIG. 5 is a perspective view of the insulated container of FIG. 1, as taken from the rear, left, with the handle portion thereof in a lowered position; and,

FIG. 6 is a bottom plan view of insulated container of FIG. 1.

Portions of the insulated container are shown broken away in FIGS. 1, 3, 4 and 5 to indicate indeterminate height.

1 Claim, 3 Drawing Sheets



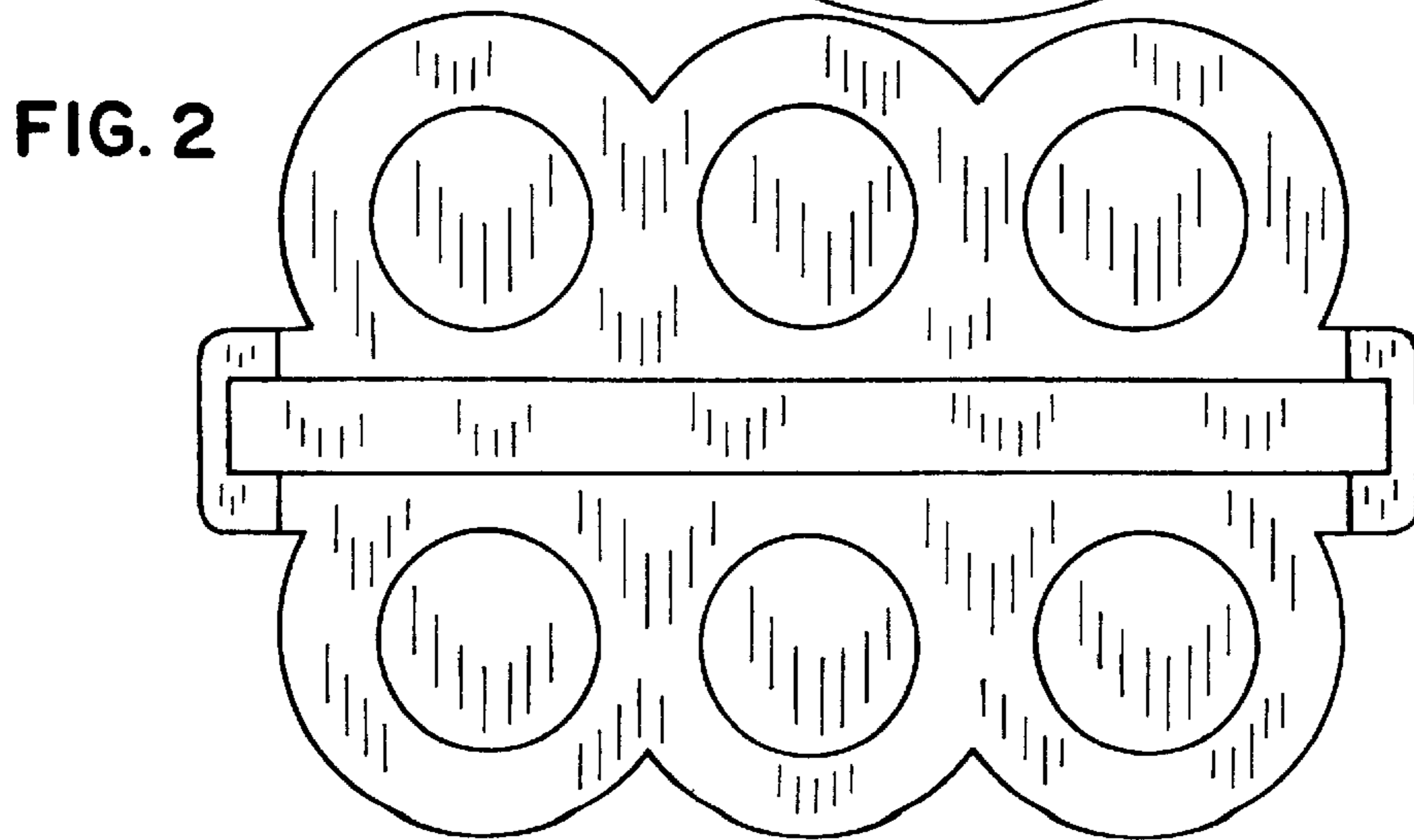
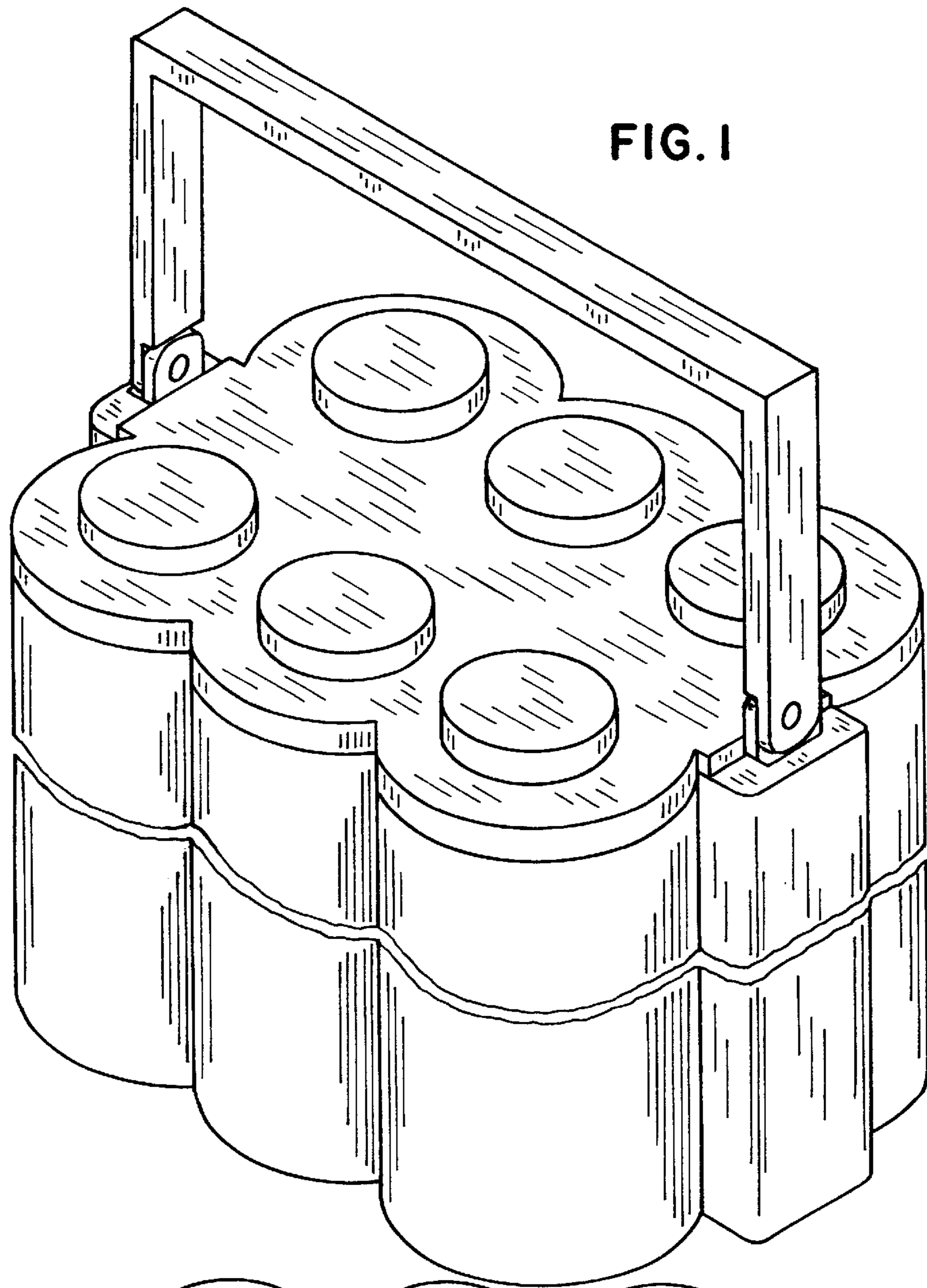


FIG. 4

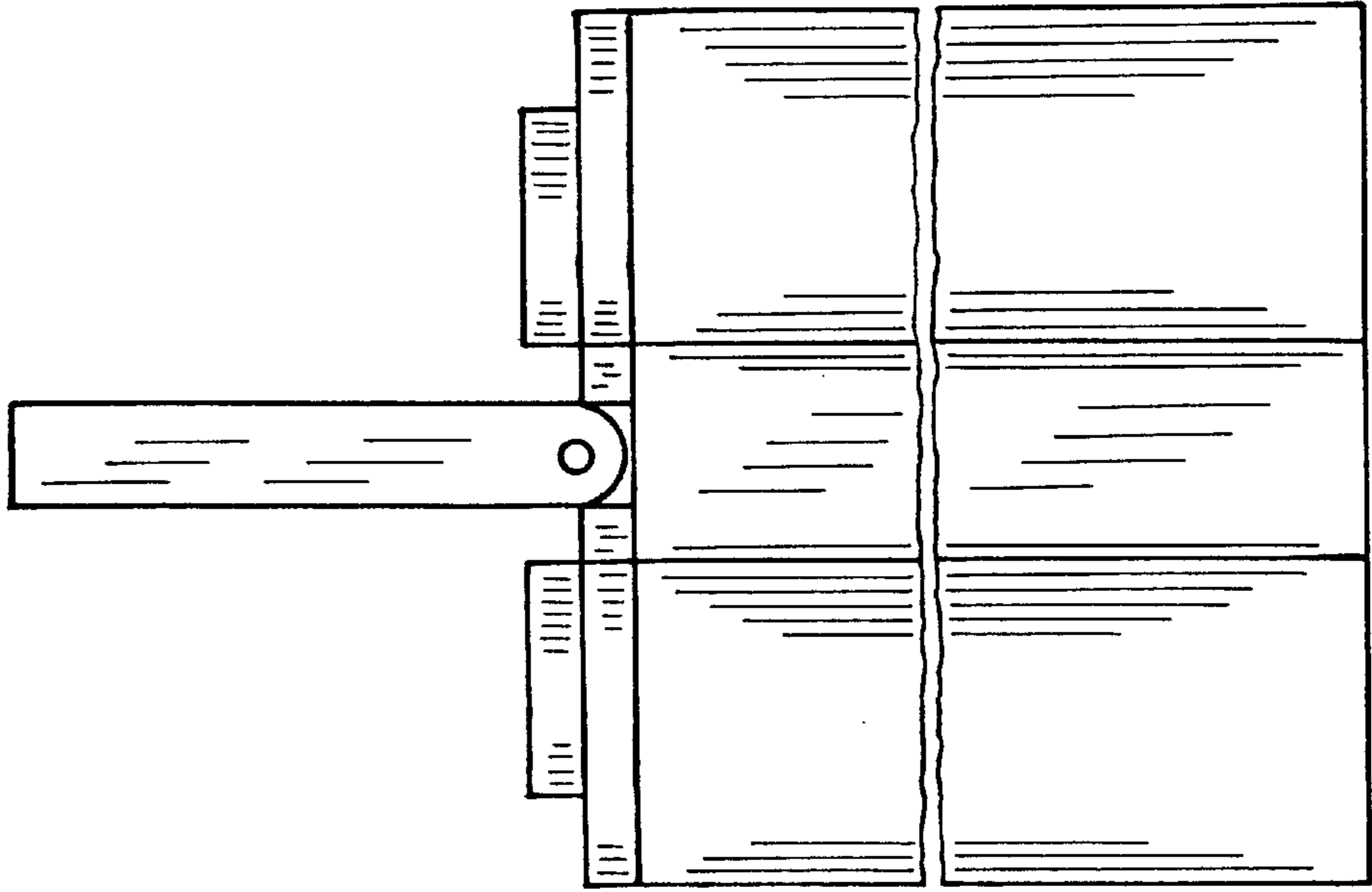


FIG. 3

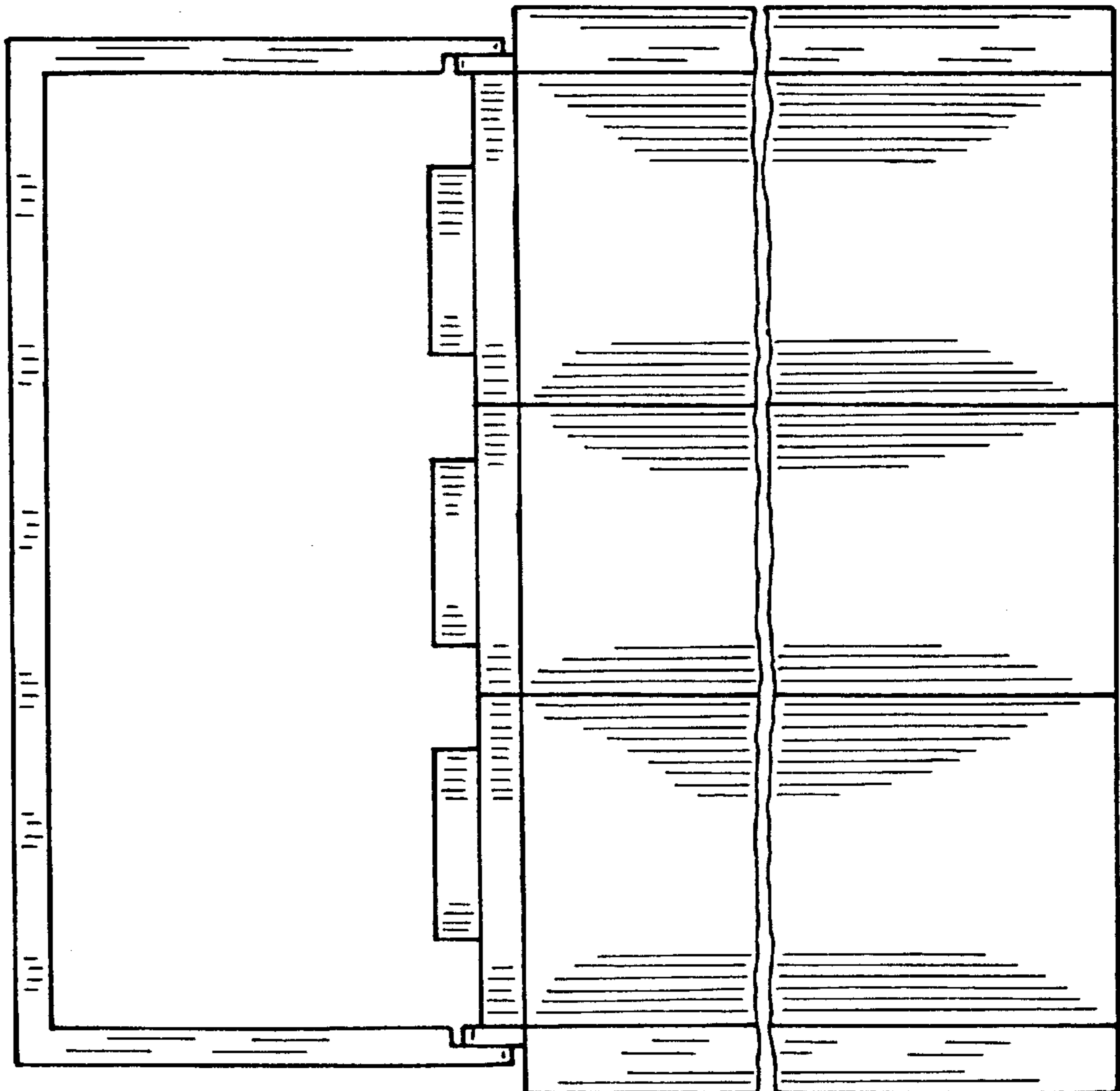


FIG. 5

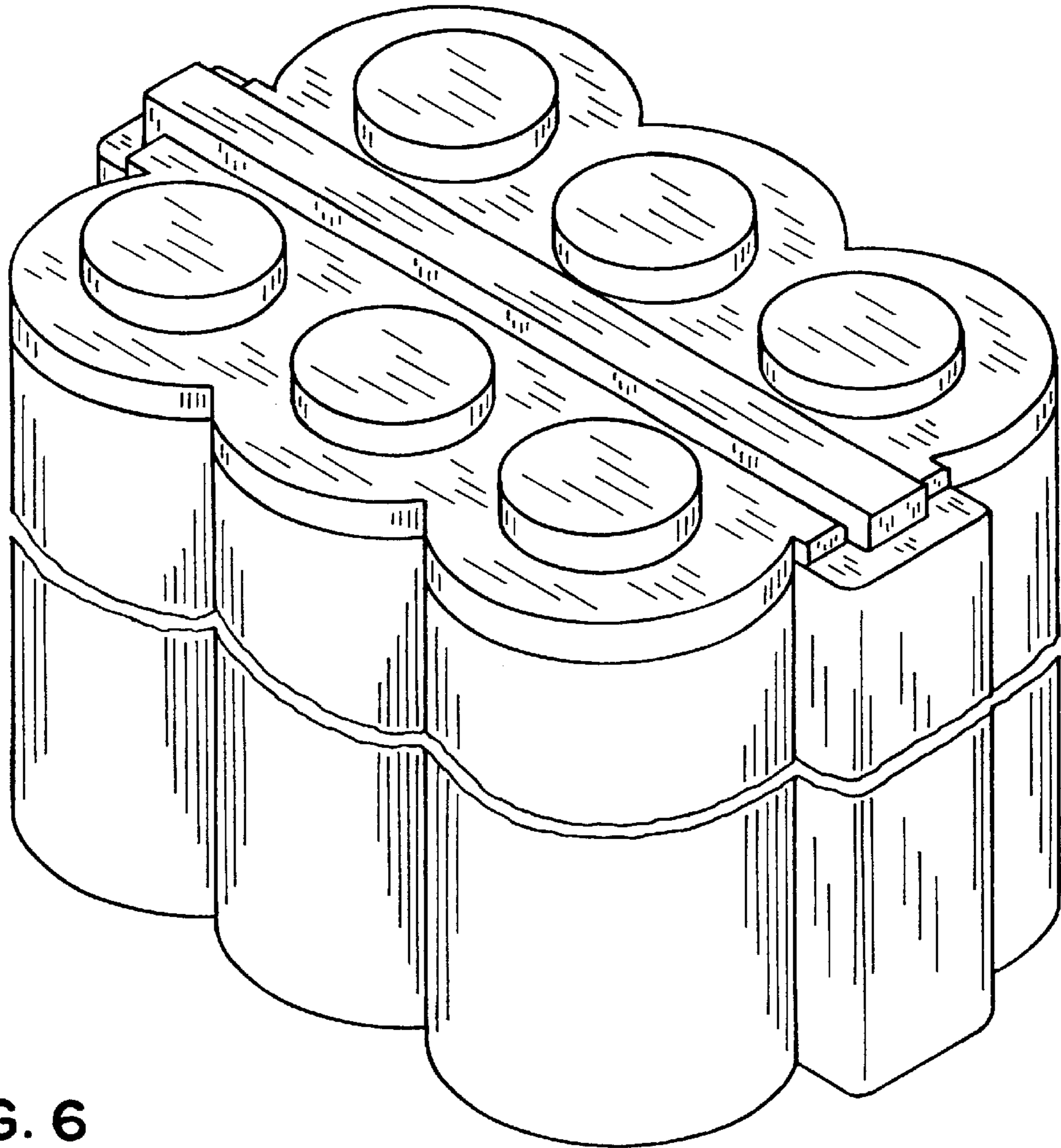


FIG. 6

