



US00D466369S

(12) **United States Design Patent**  
**Alden**

(10) **Patent No.:** **US D466,369 S**

(45) **Date of Patent:** **\*\* Dec. 3, 2002**

(54) **CURVED INSERT FOR A BARBECUE GRILL**

(75) **Inventor:** **J. Michael Anthony Alden, Palatine, IL (US)**

(73) **Assignee:** **Weber-Stephen Products Co., Palatine, IL (US)**

(\*\*) **Term:** **14 Years**

(21) **Appl. No.:** **29/150,306**

(22) **Filed:** **Nov. 20, 2001**

(51) **LOC (7) Cl.** ..... **07-02**

(52) **U.S. Cl.** ..... **D7/409**

(58) **Field of Search** ..... D7/323, 354-361, D7/402-409; 99/324, 339, 446; 126/1 R-27

(56) **References Cited**

**U.S. PATENT DOCUMENTS**

1,471,039 A	10/1923	Lee	
D97,336 S	* 10/1935	Richheimer	D7/407
2,205,064 A	6/1940	Irwin	53/5
3,245,398 A	4/1966	Baker	126/152
3,316,892 A	5/1967	Hanke	126/25
3,424,145 A	1/1969	Stitt	126/25
3,598,102 A	* 8/1971	Fuss	126/25 R
4,458,585 A	7/1984	Erbach	99/419
4,495,861 A	1/1985	Jacks et al.	99/442
D299,690 S	* 2/1989	Schnack et al.	D7/402
D303,608 S	* 9/1989	Liwski	D7/402
RE33,091 E	10/1989	Schlosser	126/9 B
4,924,845 A	5/1990	Johnson et al.	126/25 R
D309,397 S	* 7/1990	Strand	D7/354
4,942,862 A	7/1990	Alden et al.	126/337 R
D311,849 S	* 11/1990	Strand	D7/354
4,969,449 A	11/1990	Levin	126/332
4,976,252 A	12/1990	Cianciola	126/27
D317,549 S	* 6/1991	Stadelmaier	D7/360
5,282,458 A	2/1994	Trimble	126/373
5,359,988 A	11/1994	Hait	126/25 R
5,490,452 A	2/1996	Schlosser et al.	99/422
5,558,009 A	9/1996	Fabrikant et al.	99/450

5,778,768 A	7/1998	McClellan	99/422
6,182,557 B1	2/2001	Wilk	99/339
6,189,530 B1	2/2001	Shingler	126/41 R

**OTHER PUBLICATIONS**

Untitled Brochure, Weber-Stephen Products Co., Inc., printed 1979.

Brochure entitled "Unstoppable in '85," Weber-Stephen Products Co., Inc., printed 1984.

Brochure entitled "Freedom of Choice 1987," Weber-Stephen Products Co., Inc., printed 1985.

Brochure entitled Only Weber Performs As Well on the Sales Floor As It Does in the Great Outdoors 1990, Weber-Stephen Products Co., Inc., printed 1989.

\* cited by examiner

*Primary Examiner*—Caron D. Veynar

(74) *Attorney, Agent, or Firm*—Wallenstein & Wagner, Ltd.

(57) **CLAIM**

The ornamental design for a curved insert for a barbecue grill, as shown and described.

**DESCRIPTION**

FIG. 1 is a perspective view of a preferred embodiment of a curved insert for a barbecue grill.

FIG. 2 is a top view of the curved insert of FIG. 1;

FIG. 3 is a bottom view of the curved insert of FIG. 1;

FIG. 4 is a side view of the curved insert of FIG. 1;

FIG. 5 is a sectional view of the curved insert of FIG. 1, showing the contour of the curved insert;

FIG. 6 is a perspective view of another preferred embodiment of the curved insert of FIG. 1, the difference being the number of apertures in the outer portion;

FIG. 7 is a top view of the curved insert of FIG. 6;

FIG. 8 is a perspective view of another preferred embodiment of the curved insert of FIG. 1, the difference being the number of apertures in the outer portion; and,

FIG. 9 is a top view of the curved insert of FIG. 8.

**1 Claim, 4 Drawing Sheets**

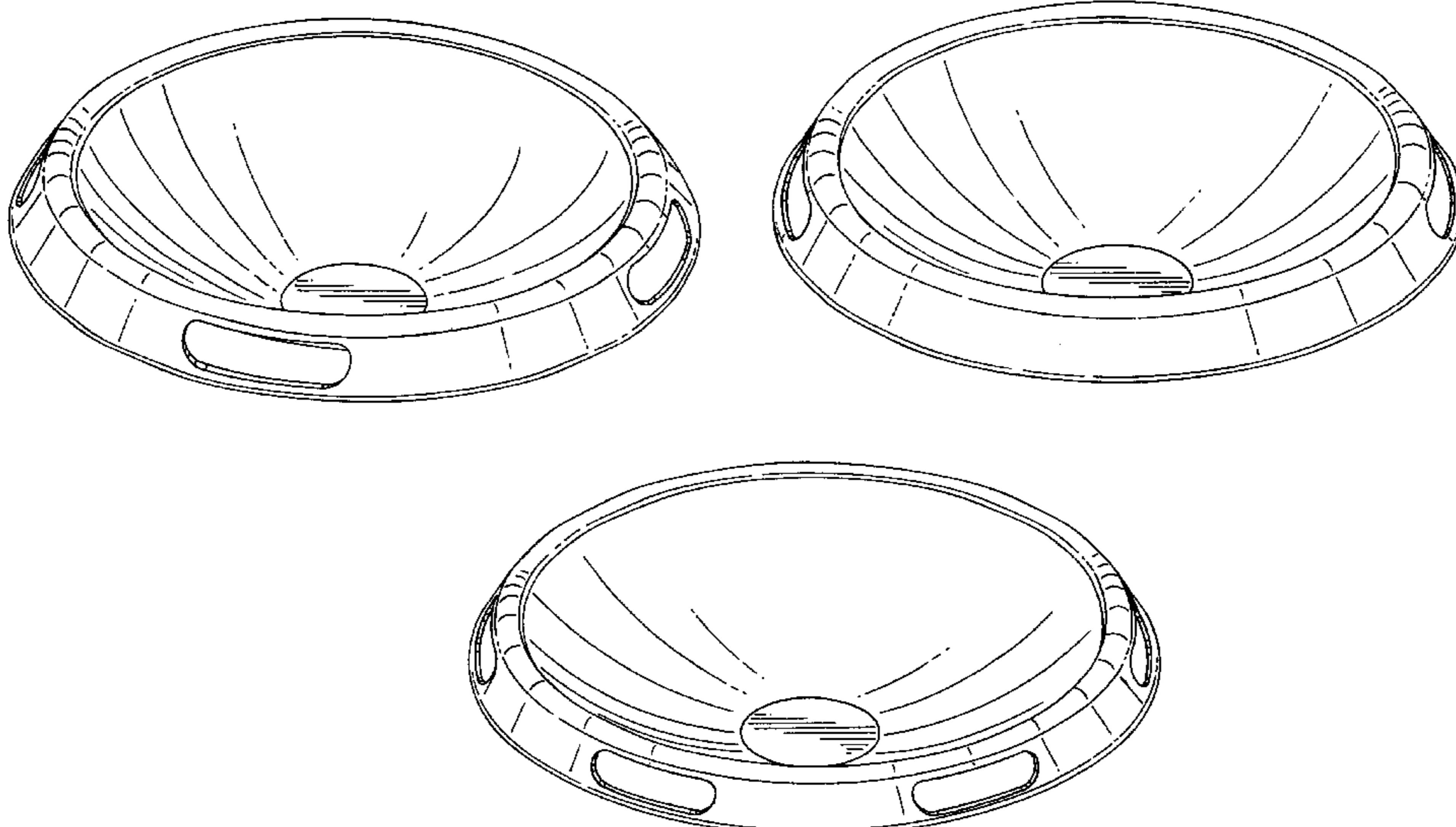


FIG. 1

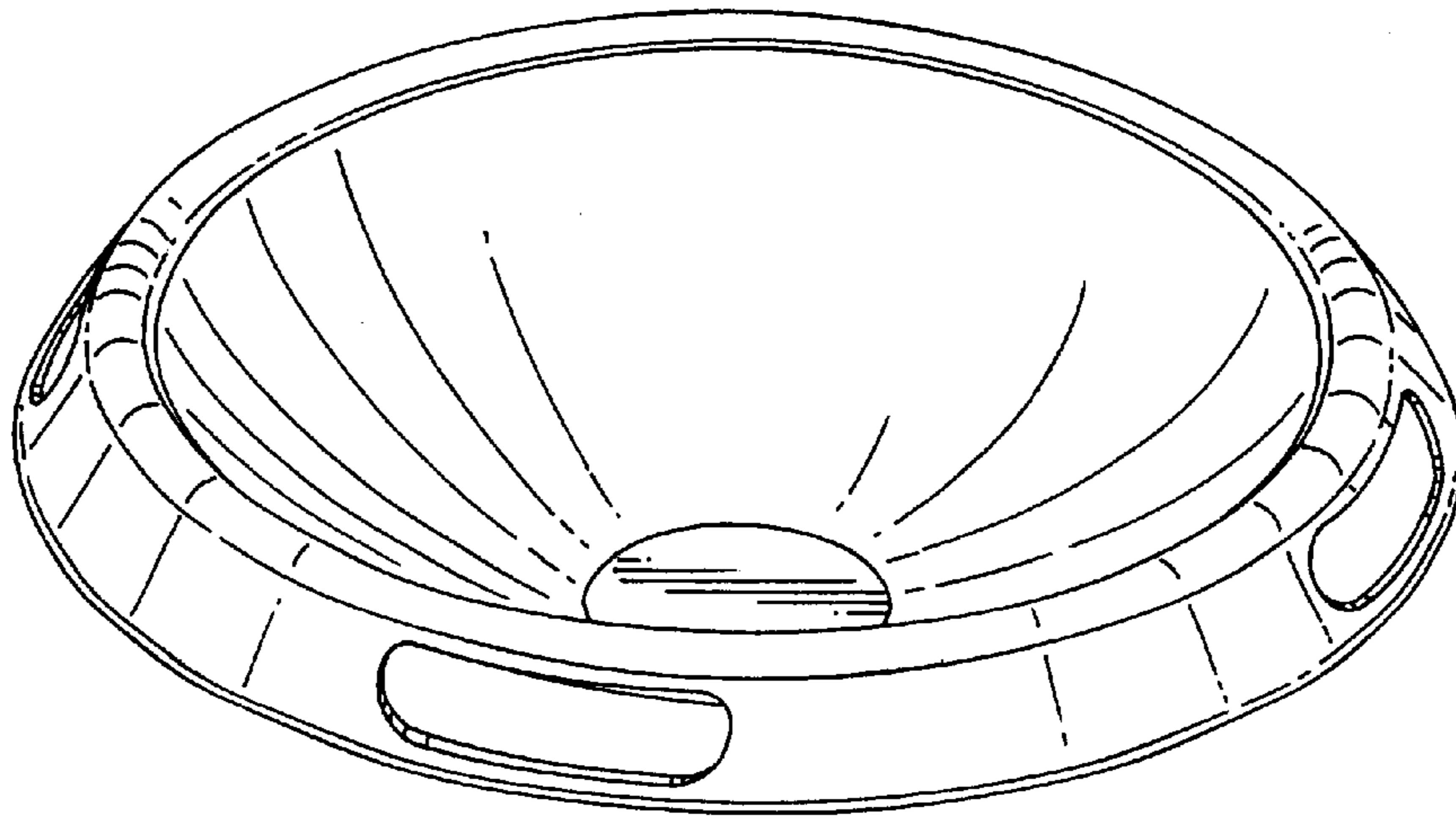


FIG. 2

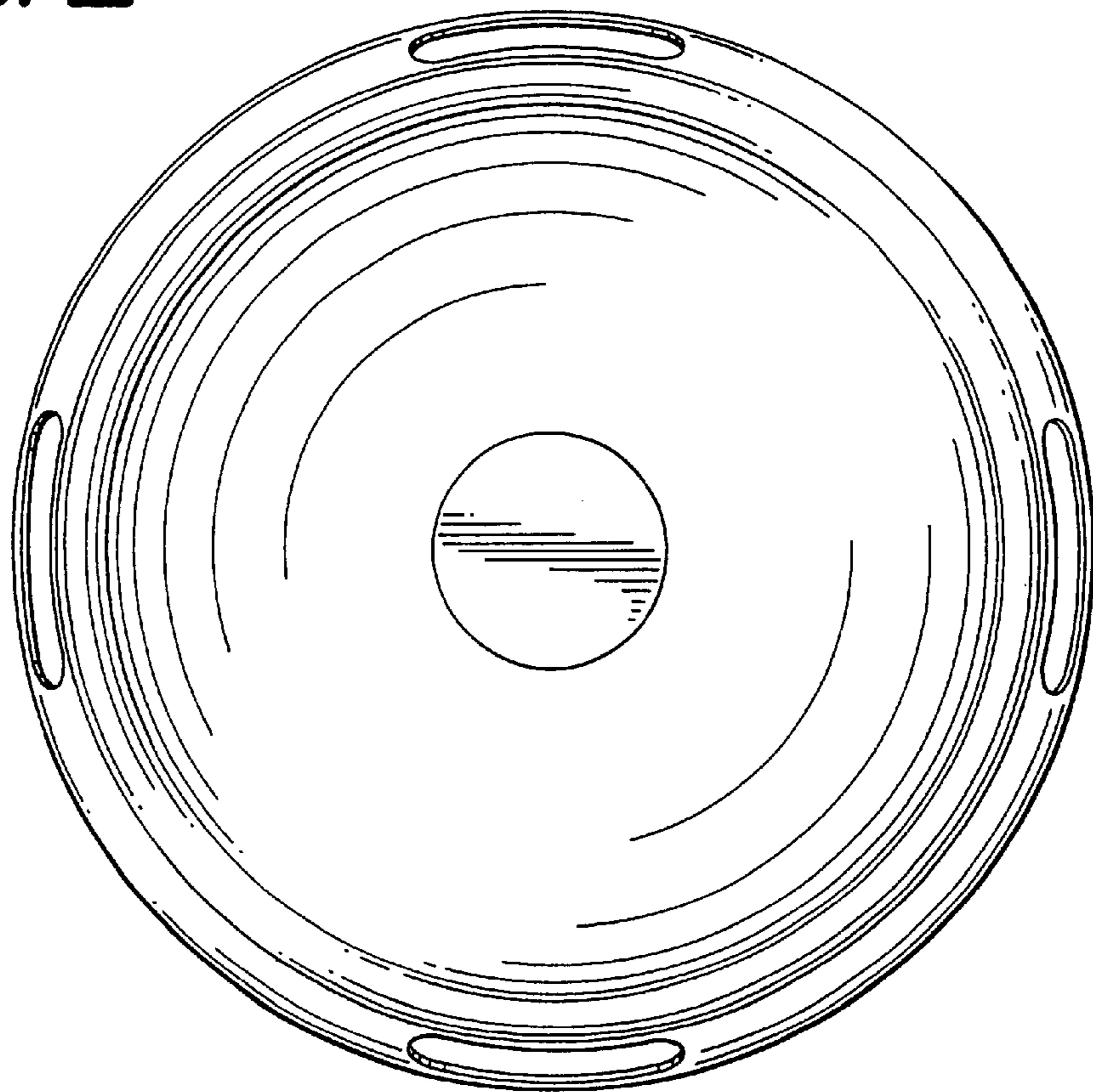


FIG. 3

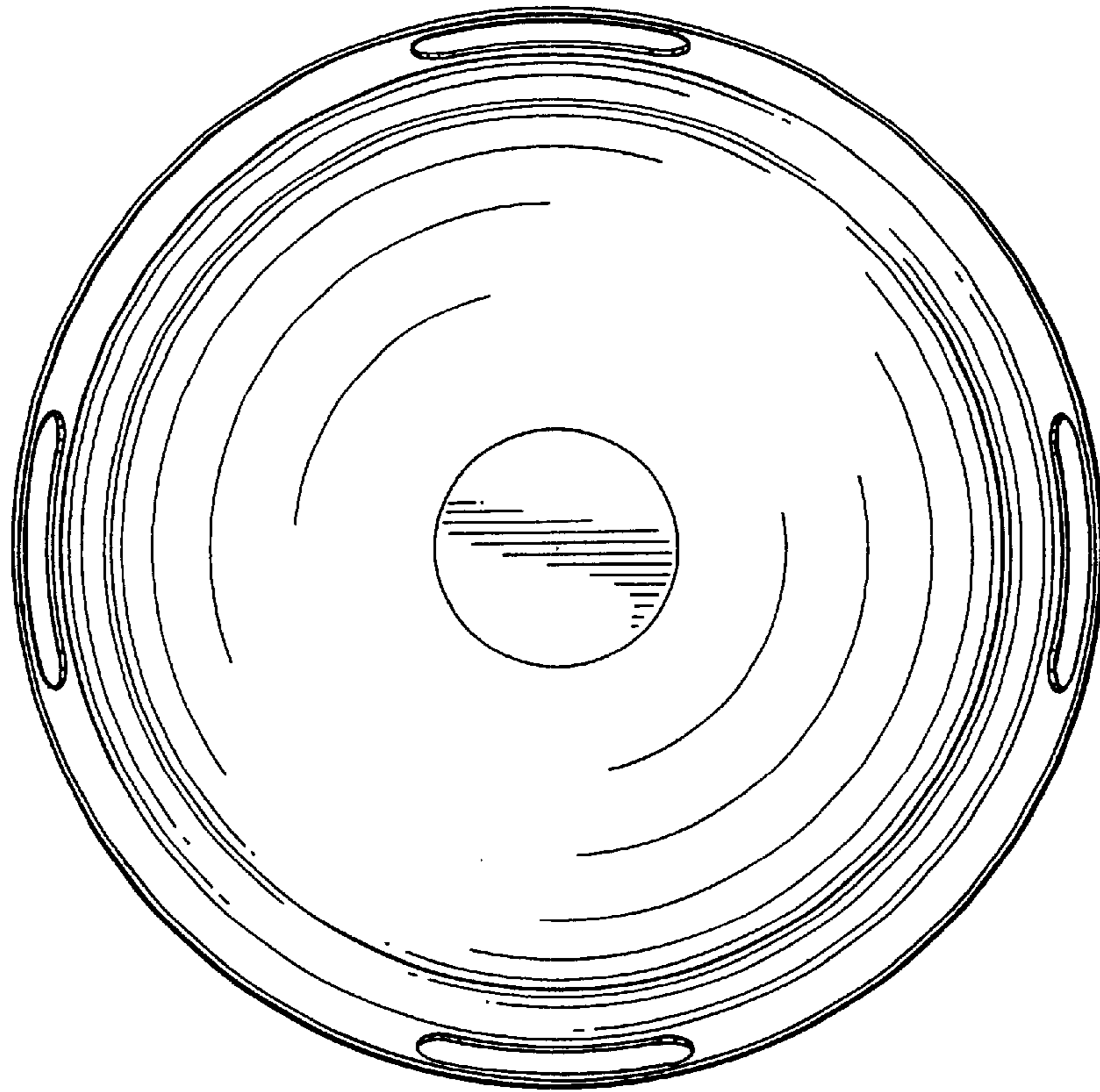


FIG. 4

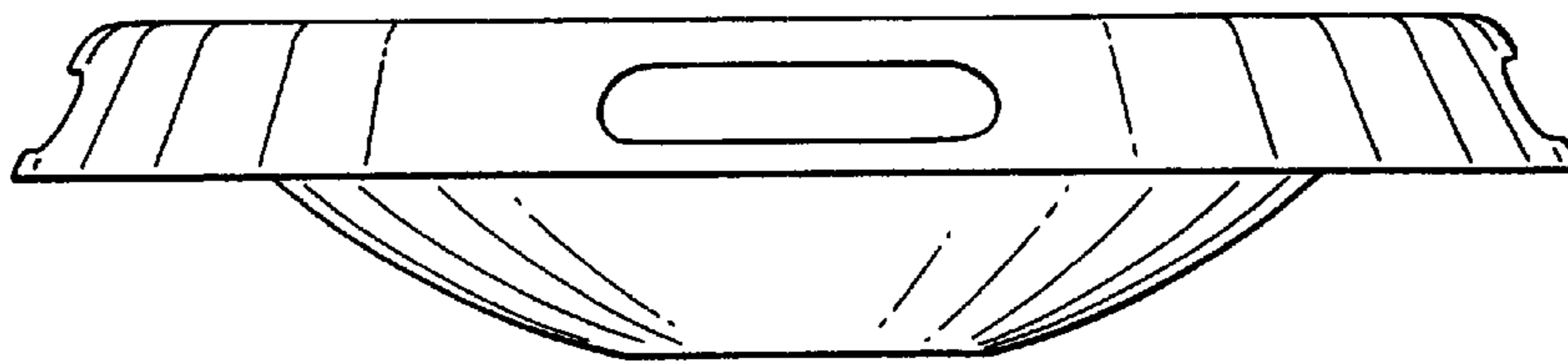


FIG. 5

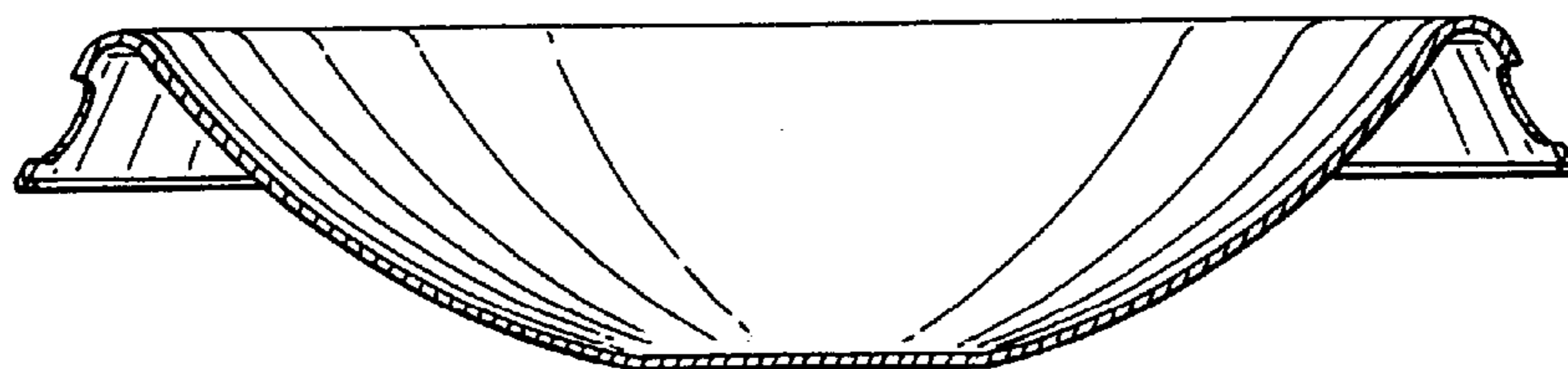




FIG. 6

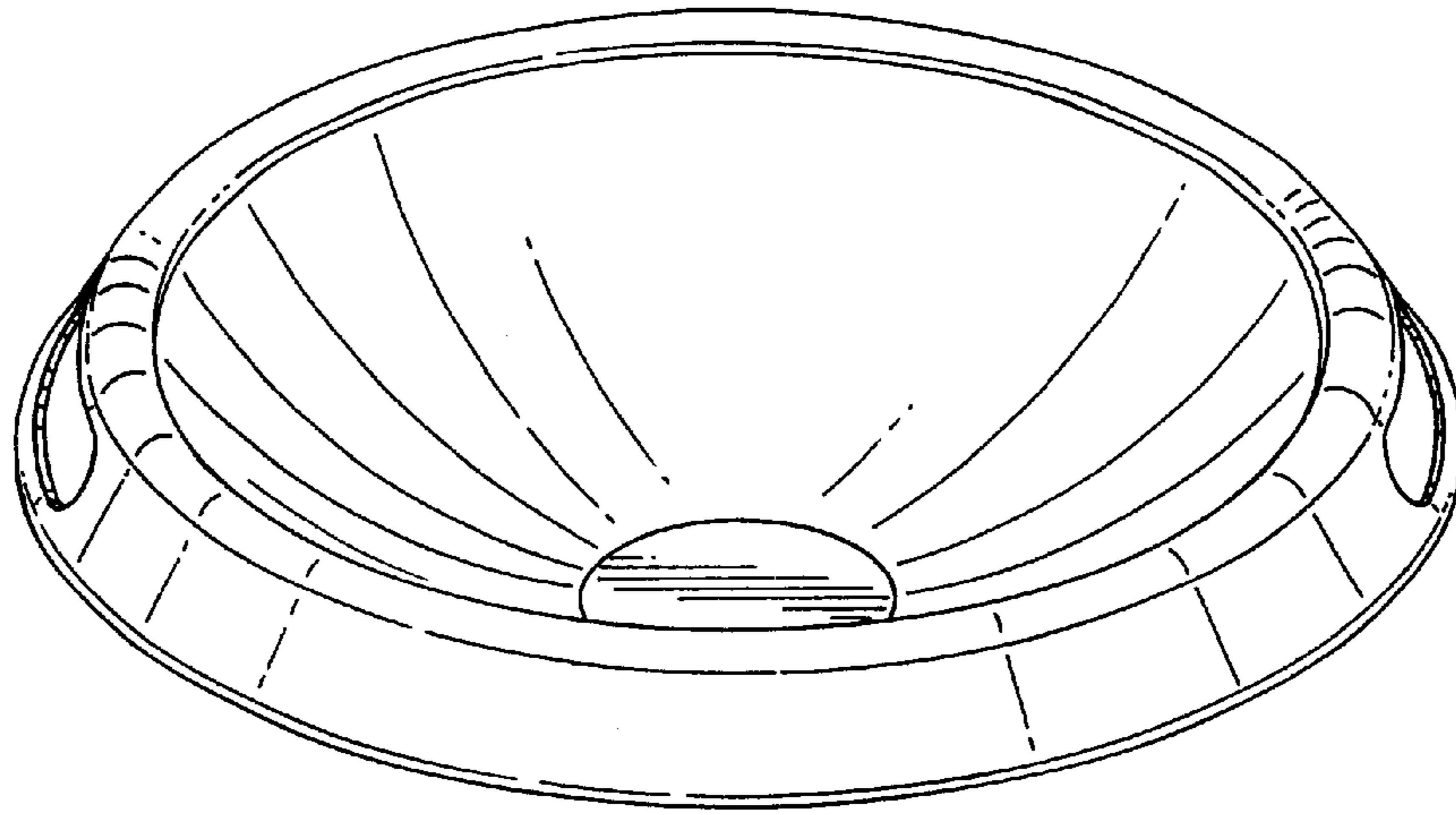


FIG. 7

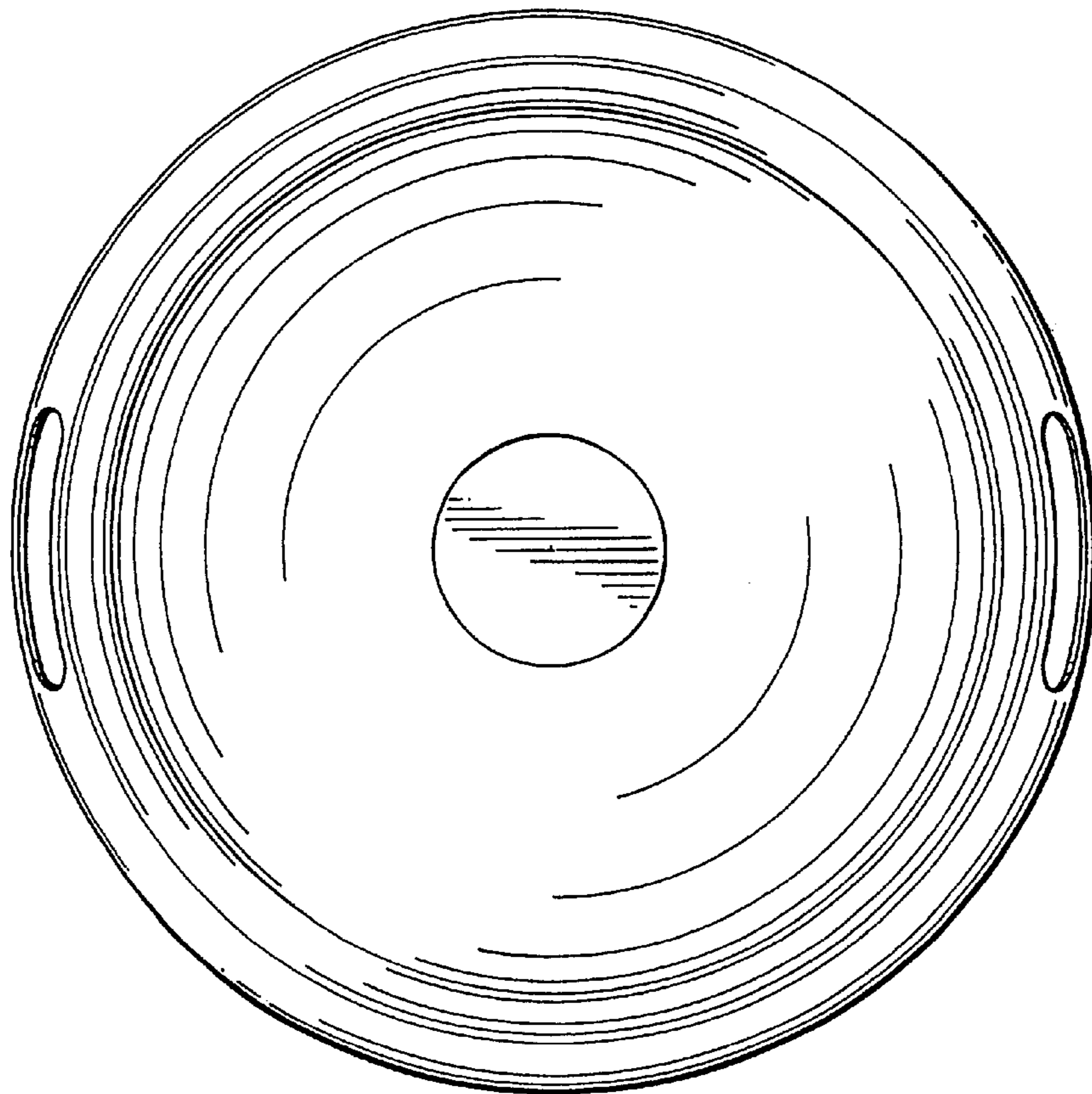


FIG. 8

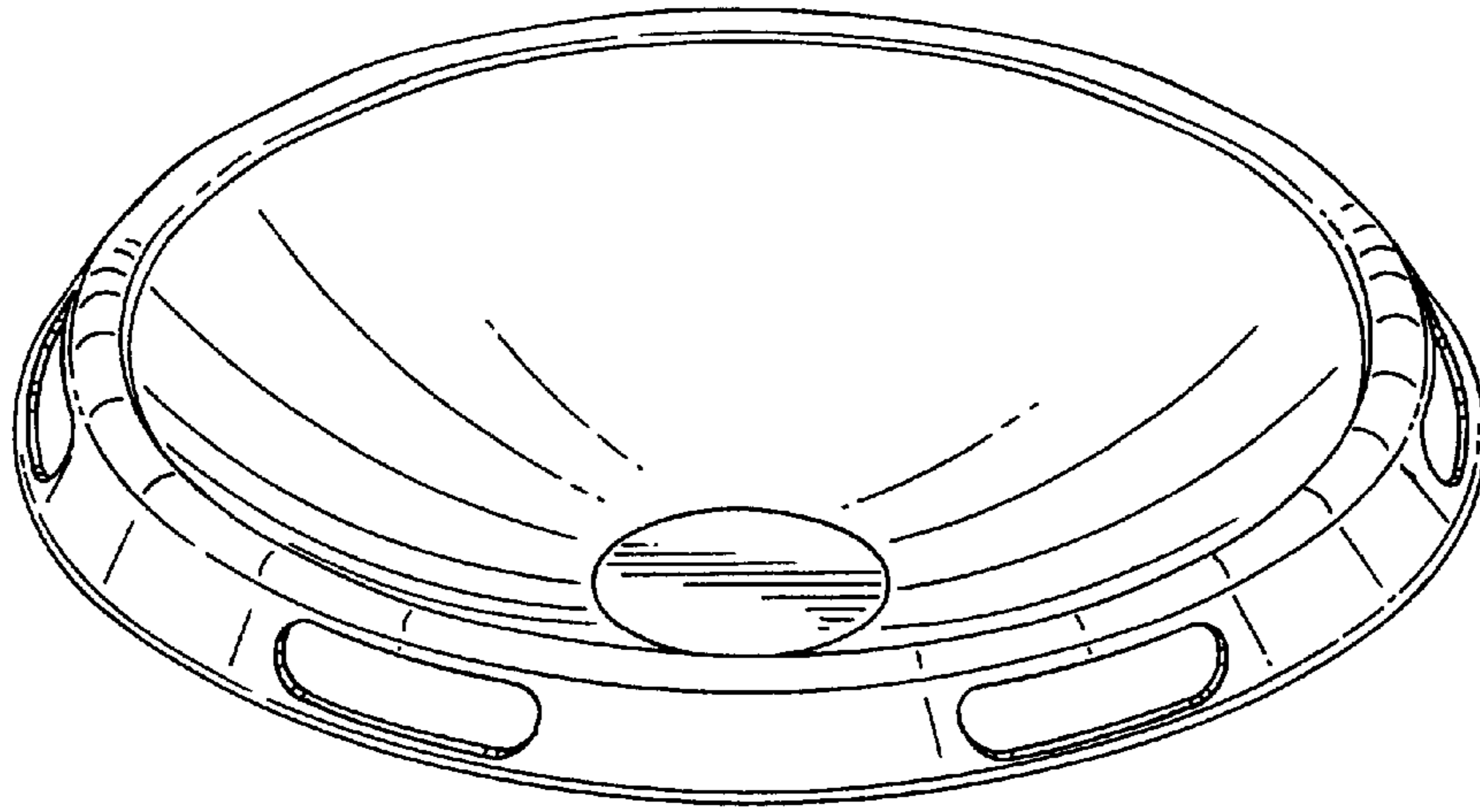


FIG. 9

