



US00D466367S

(12) **United States Design Patent**  
**Johnson et al.**

(10) **Patent No.: US D466,367 S**

(45) **Date of Patent: \*\* Dec. 3, 2002**

(54) **PROFILE SURFACE OF A HOOD FOR A BARBECUE GRILL**

(75) Inventors: **Mark Johnson**, Wilmette, IL (US); **J. Michael Alden**, Palatine, IL (US)

(73) Assignee: **Weber-Stephen Products Co.**, Palatine, IL (US)

(\*\*) Term: **14 Years**

(21) Appl. No.: **29/127,811**

(22) Filed: **Aug. 11, 2000**

**Related U.S. Application Data**

(62) Division of application No. 29/094,689, filed on Oct. 7, 1998, now Pat. No. Des. 433,279, which is a division of application No. 29/058,160, filed on Aug. 9, 1996, now Pat. No. Des. 404,963, which is a continuation-in-part of application No. 29/049,066, filed on Jan. 16, 1996, now Pat. No. Des. 380,933, which is a continuation of application No. 29/038,410, filed on May 5, 1995, now abandoned.

(51) **LOC (7) Cl. .... 07-02**

(52) **U.S. Cl. .... D7/402**

(58) **Field of Search** ..... D7/332, 334, 335, D7/336, 337, 402, 409; 126/25 R, 25 A, 25 AA, 41 R, 29-30, 9 R, 9 B, 4, 6, 506, 519; D23/343, 348, 350, 317, 332, 334-336, 338-339; 99/443, 450, 421 R; 248/156

(56) **References Cited**

**U.S. PATENT DOCUMENTS**

2,600,234 A	6/1952	Foley
3,279,452 A	10/1966	Hottenroth et al.
3,391,682 A	7/1968	King et al.
3,520,290 A	7/1970	Winters
D219,629 S	12/1970	Koziol
3,567,065 A	3/1971	Dinse
3,643,645 A	2/1972	Benson
3,693,534 A	9/1972	Martin
3,859,978 A	1/1975	Smith
3,931,805 A	1/1976	Nelson
4,245,505 A	1/1981	Baynes
4,322,049 A	3/1982	Holland et al.

4,454,805 A	6/1984	Matthews
4,488,534 A	12/1984	Koziol
4,583,452 A	4/1986	Grosse
4,662,349 A	5/1987	McKenzie et al.
4,663,517 A	5/1987	Huff et al.
4,677,964 A	7/1987	Lohmeyer et al.
D293,067 S	12/1987	Stephen et al.
4,777,927 A	10/1988	Stephen et al.
4,886,045 A	12/1989	Ducate, Jr. et al.
4,895,068 A	1/1990	Hanagan et al.
4,896,652 A	1/1990	Geiter
4,924,846 A	5/1990	Peacock et al.
4,955,358 A	9/1990	Harris et al.
4,966,125 A	10/1990	Stephen et al.
4,989,579 A	2/1991	Murphy et al.
D316,355 S	* 4/1991	Stephen et al. .... D7/334
5,050,577 A	9/1991	Baynes et al.
5,056,364 A	10/1991	Kahler et al.
5,070,776 A	12/1991	Schlosser et al.

(List continued on next page.)

**OTHER PUBLICATIONS**

Brochure entitled "LX Series Gas Barbecues from Weber®", Weber-Stephen Products Co. Mar. 1995.

*Primary Examiner*—Ruth McInroy

(74) *Attorney, Agent, or Firm*—Wallenstein & Wagner, Ltd.

(57) **CLAIM**

I claim the ornamental design for a profile surface of a hood for a barbecue grill, as shown and described.

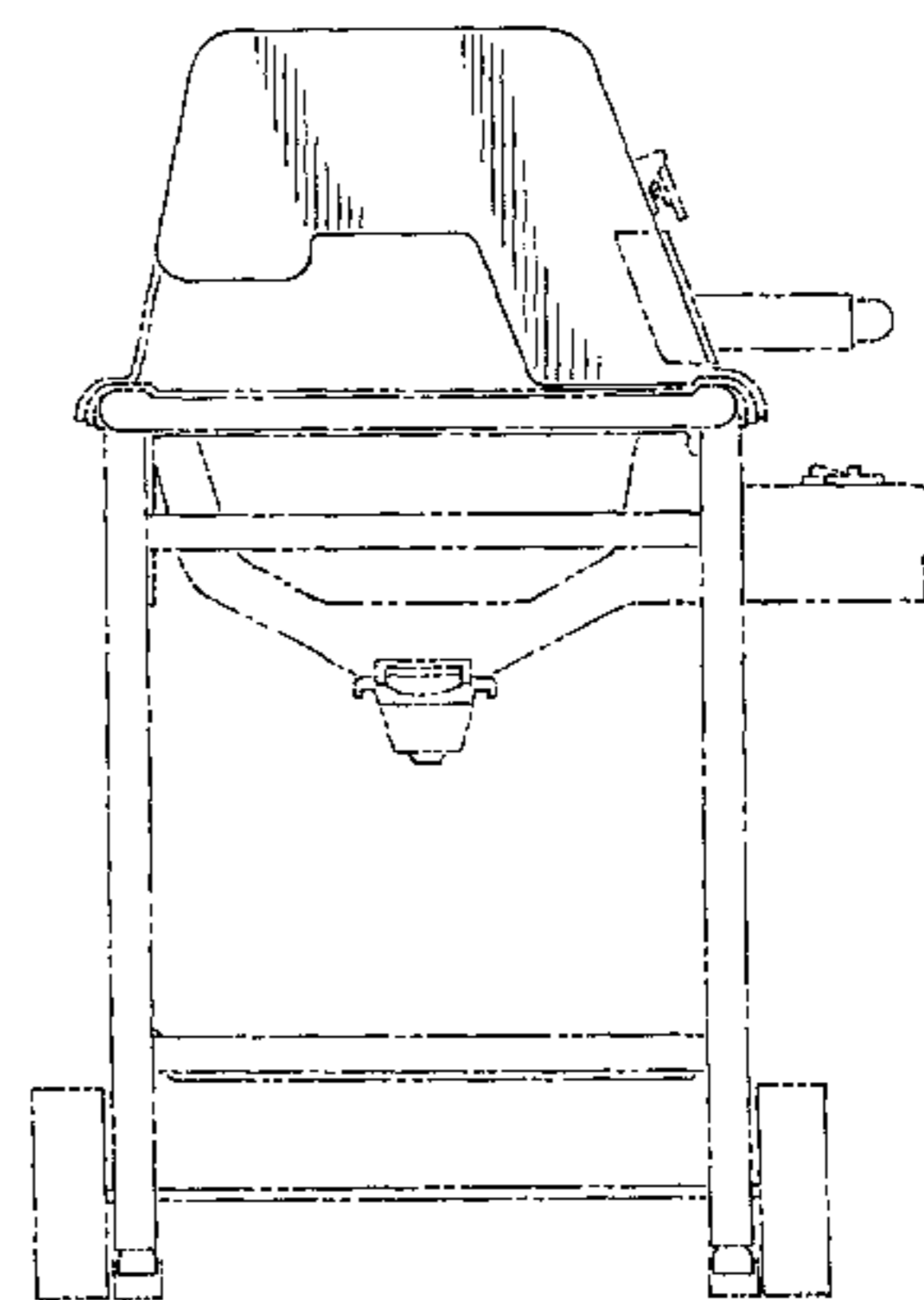
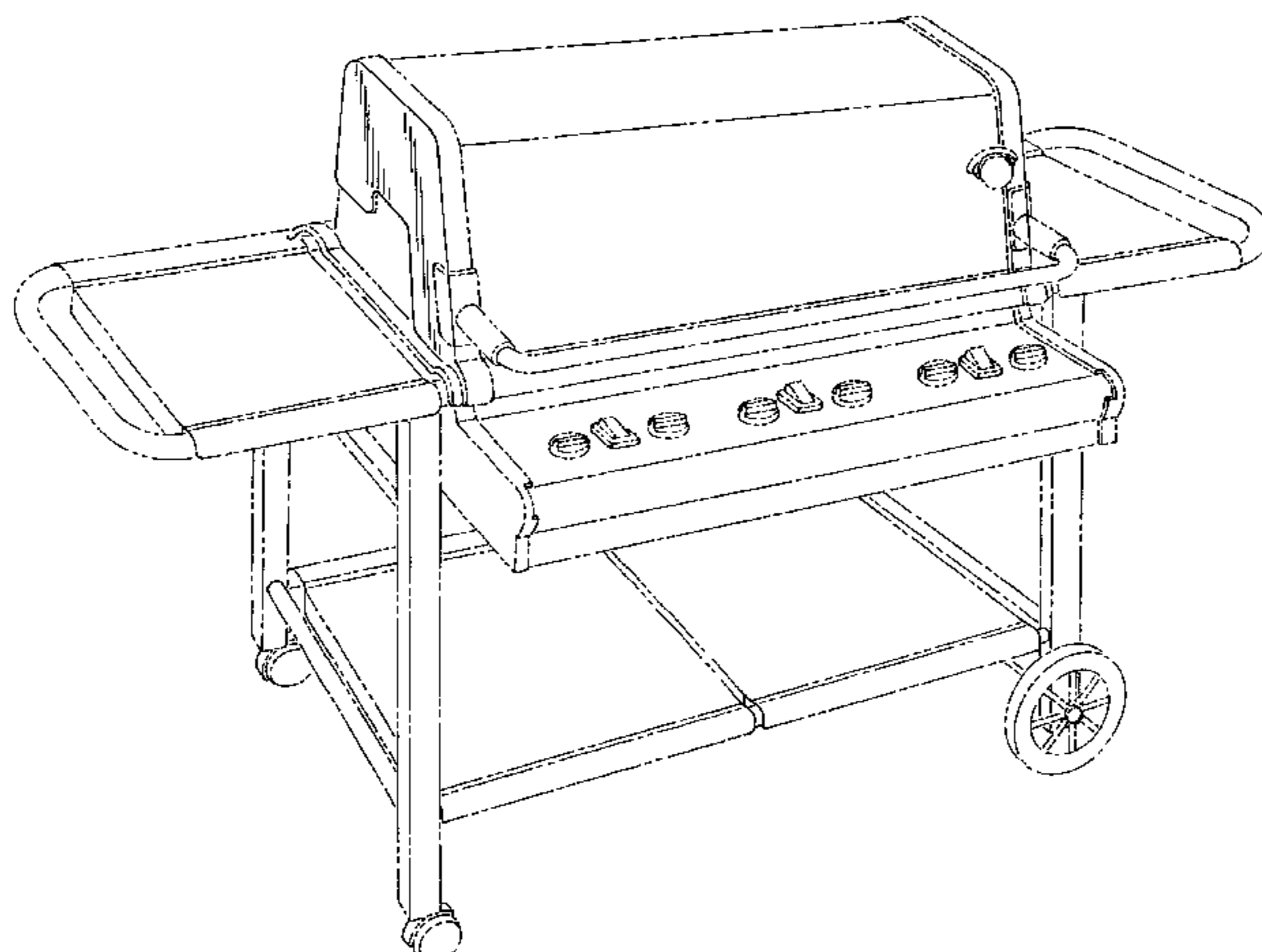
**DESCRIPTION**

FIG. 1 is a perspective view of a profile surface of a hood for a barbecue grill showing our new design; and, FIG. 2 is a side elevational view thereof.

The details shown in broken lines in both views are for illustrative purposes only and form no part of the claimed design.

The portions of the barbecue hood not shown in the drawings or described in the specification form no part of the claimed design.

**1 Claim, 2 Drawing Sheets**



# US D466,367 S

Page 2

---

## U.S. PATENT DOCUMENTS

5,072,718 A	12/1991	Seal	D339,714 S	9/1993	Leblanc et al.	
5,076,256 A	12/1991	Raymer et al.	5,341,793 A	8/1994	Brown	
5,076,257 A	12/1991	Raymer et al.	5,408,985 A	4/1995	Giebel et al.	
D323,952 S	2/1992	Wagner et al.	D404,963 S *	2/1999	Schlosser et al. ....	D7/334
5,088,470 A	2/1992	James, Jr. et al.	D412,425 S *	8/1999	Pai .....	D7/334
5,090,398 A	2/1992	Raymer et al.	5,934,183 A *	8/1999	Schlosser et al. ....	99/385
5,109,834 A	5/1992	Collins et al.	D433,279 S *	11/2000	Schlosser et al. ....	D7/402
5,163,358 A	11/1992	Hanagan et al.				

\* cited by examiner

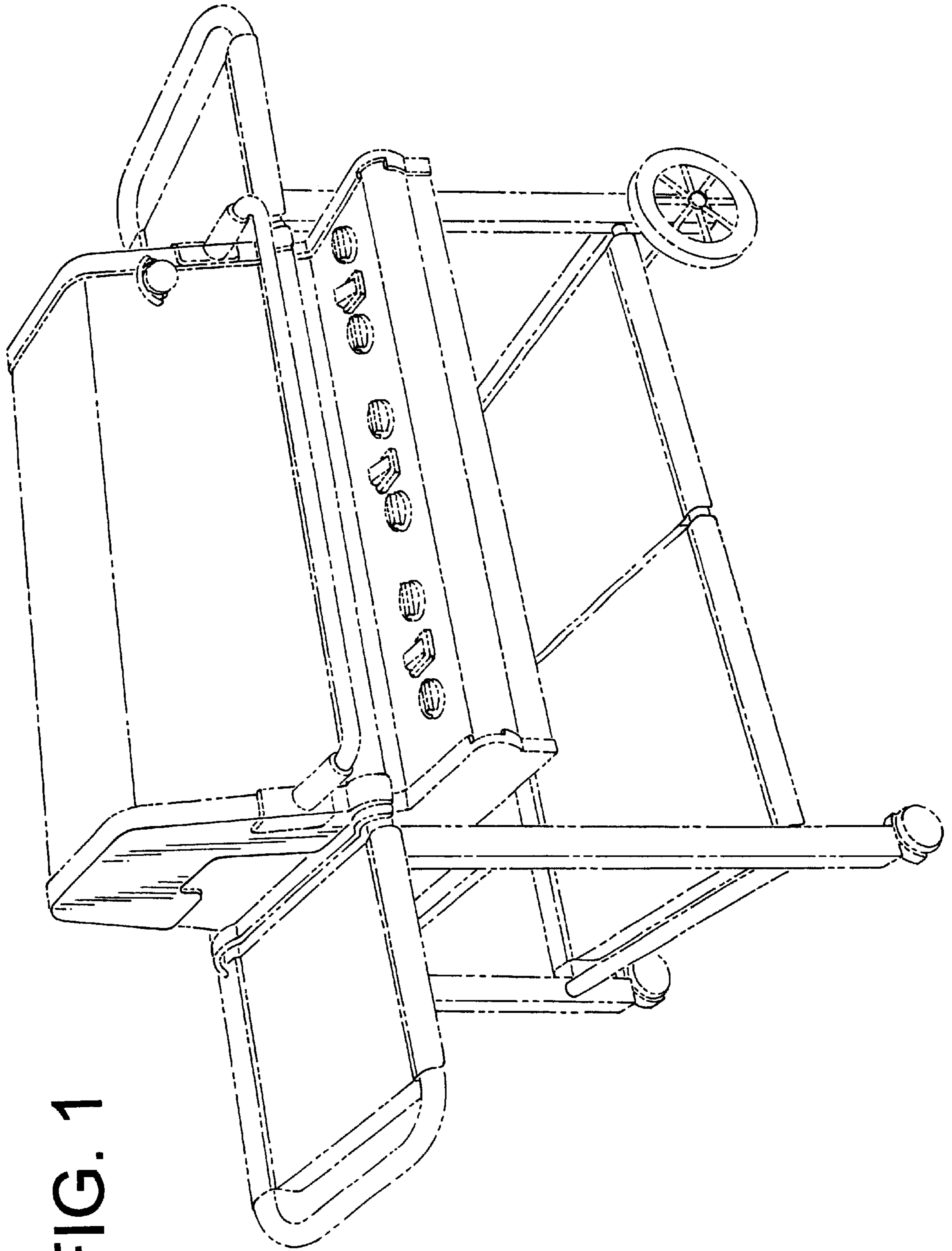


FIG. 1

# FIG. 2

