



US00D466365S

(12) **United States Design Patent**
Brown

(10) **Patent No.:** **US D466,365 S**

(45) **Date of Patent:** **** Dec. 3, 2002**

- (54) **CONTAINER LID**
- (75) Inventor: **Dean R. Brown**, La Habra, CA (US)
- (73) Assignee: **Paul Winkler Plastics Corp.**, Buena Park, CA (US)
- (**) Term: **14 Years**
- (21) Appl. No.: **29/146,172**
- (22) Filed: **Aug. 6, 2001**

- D415,025 S * 10/1999 McCann D9/429
- D420,285 S 2/2000 Sagan et al. D9/429
- 6,073,795 A * 6/2000 Longstreth 220/574

* cited by examiner

Primary Examiner—Terry A. Wallace

(74) *Attorney, Agent, or Firm*—Faegre & Benson LLP

(57) **CLAIM**

The ornamental design for the container lid, as shown and described.

Related U.S. Application Data

- (62) Division of application No. 29/114,200, filed on Nov. 19, 1999, now Pat. No. Des. 447,910.
- (51) **LOC (7) Cl.** **07-01**
- (52) **U.S. Cl.** **D7/392.1**
- (58) **Field of Search** D7/601, 602, 629, D7/538–548, 566, 568, 391, 392.1; D9/424–429, 434, 435, 499; 220/780–806, 574, 669, 670, 675

DESCRIPTION

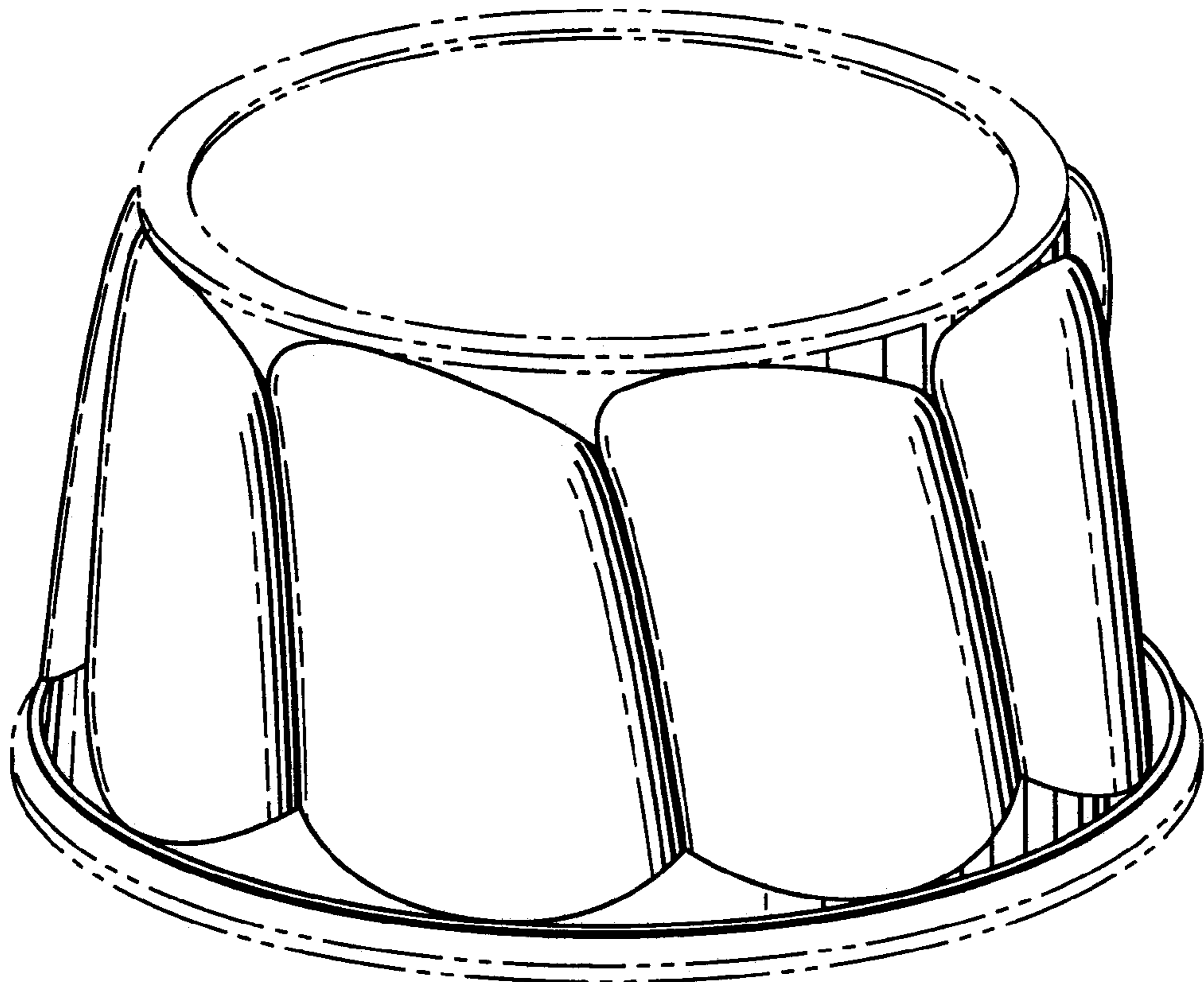
FIG. 1 is a top perspective view of a container lid showing my new design;
 FIG. 2 is a perspective view looking down into the container lid of FIG. 1;
 FIG. 3 is a bottom plan view of the lid of FIG. 1;
 FIG. 4 is a side plan view of the lid of FIG. 1;
 FIG. 5 is a top plan view of the lid of FIG. 1;
 FIG. 6 is a perspective view looking down into an alternate embodiment of the container lid of FIG. 1;
 FIG. 7 is a perspective view looking down on the container lid of FIG. 6;
 FIG. 8 is a bottom plan view of the lid of FIG. 6;
 FIG. 9 is a side plan view of the lid of FIG. 6; and,
 FIG. 10 is a top plan view of the lid of FIG. 6.

(56) **References Cited**

U.S. PATENT DOCUMENTS

- D284,160 S 6/1986 Durand D7/360
- 4,867,303 A * 9/1989 Beckerman et al. 206/457
- D372,396 S 8/1996 Seager D7/392.1
- D382,796 S * 8/1997 Mangla D9/429

1 Claim, 6 Drawing Sheets



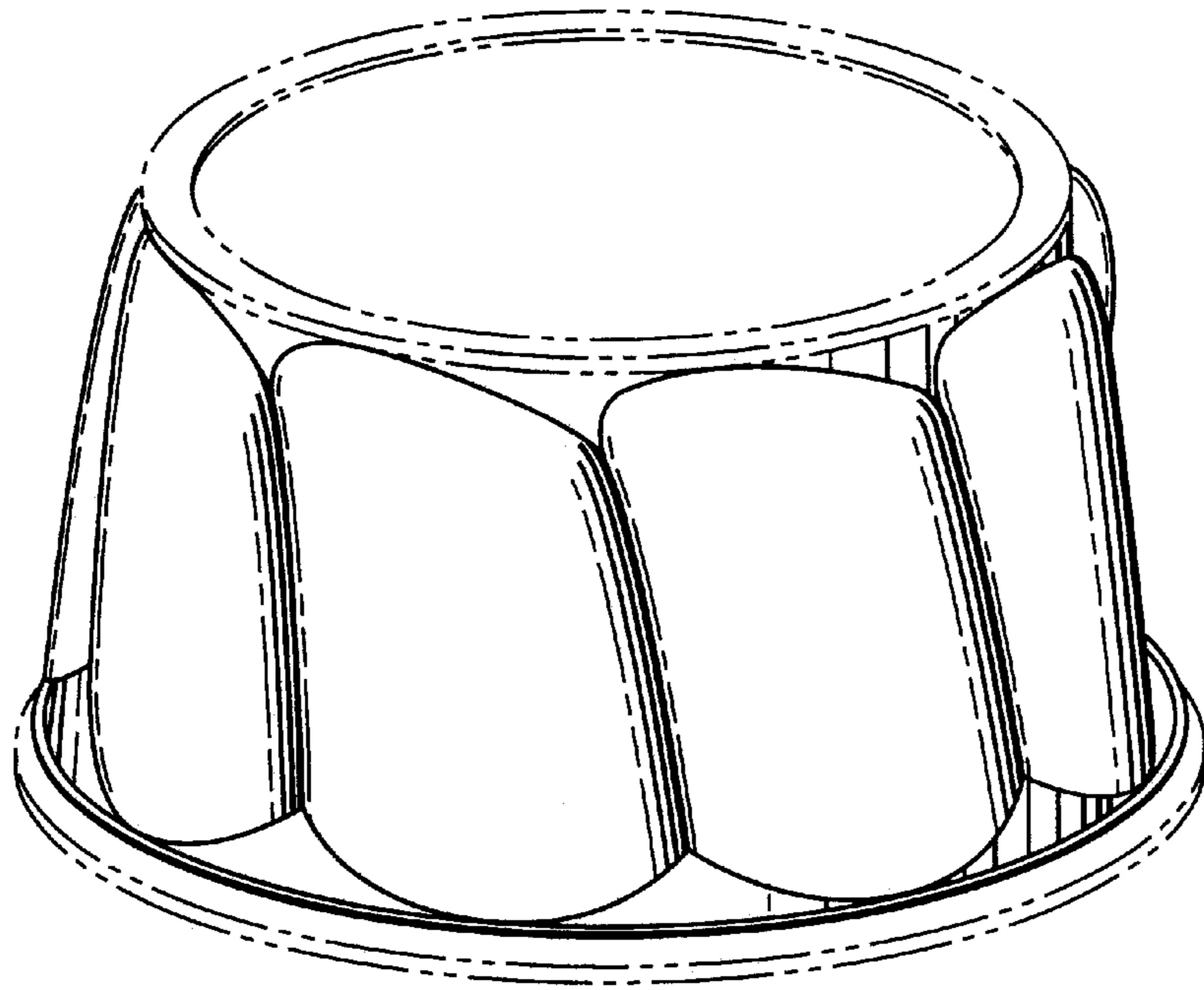


Fig. 1

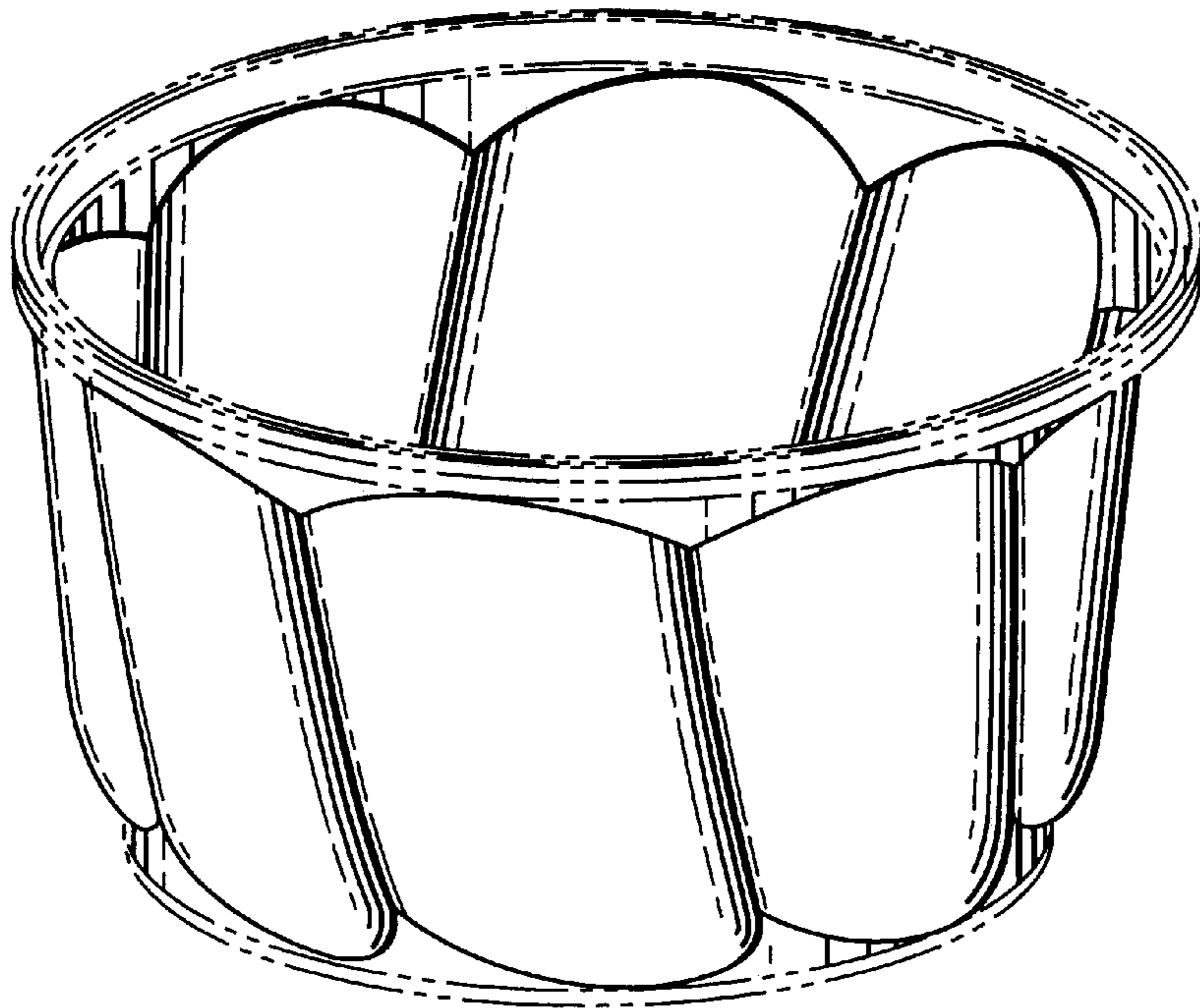


Fig. 2

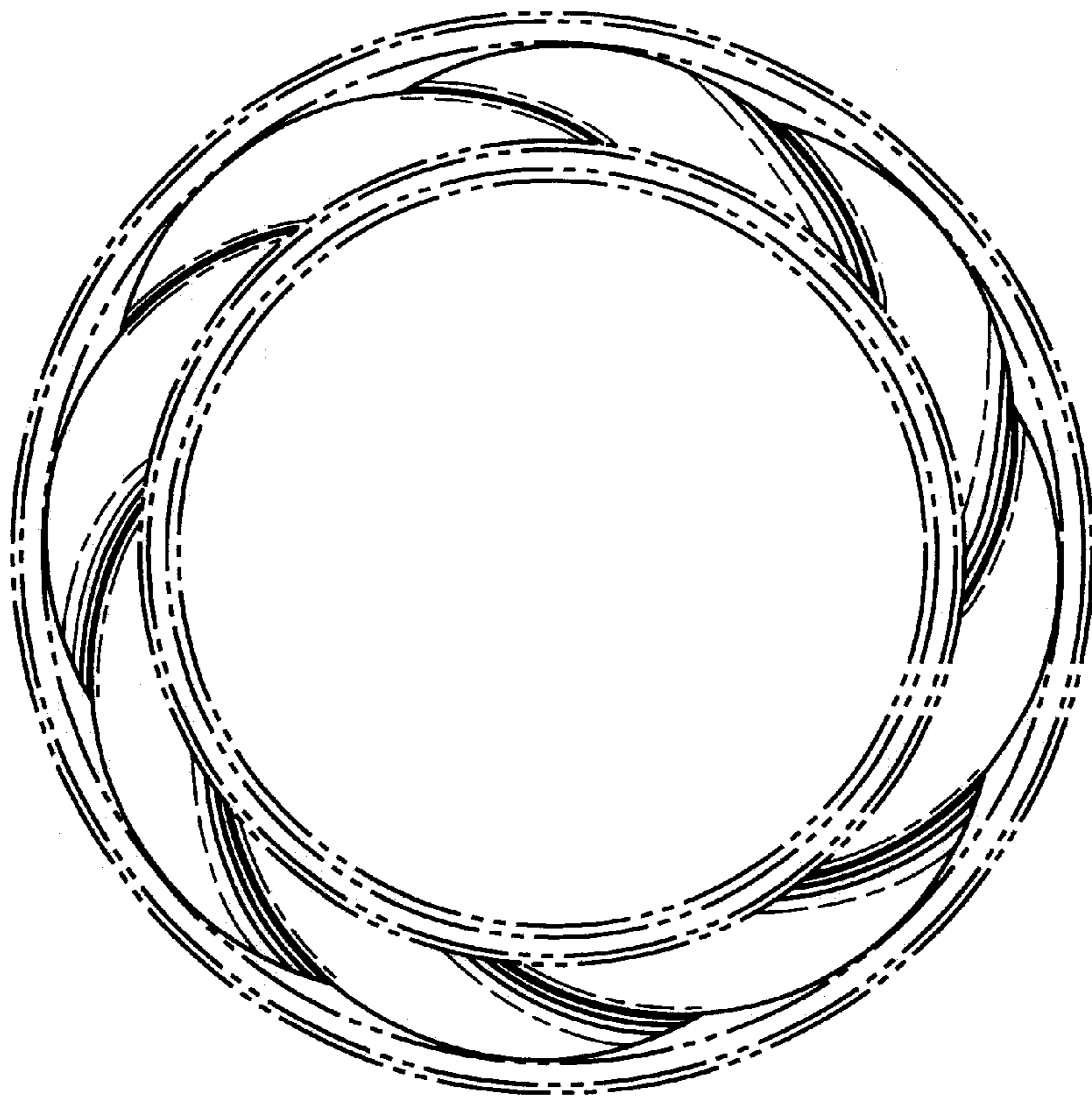


Fig. 3

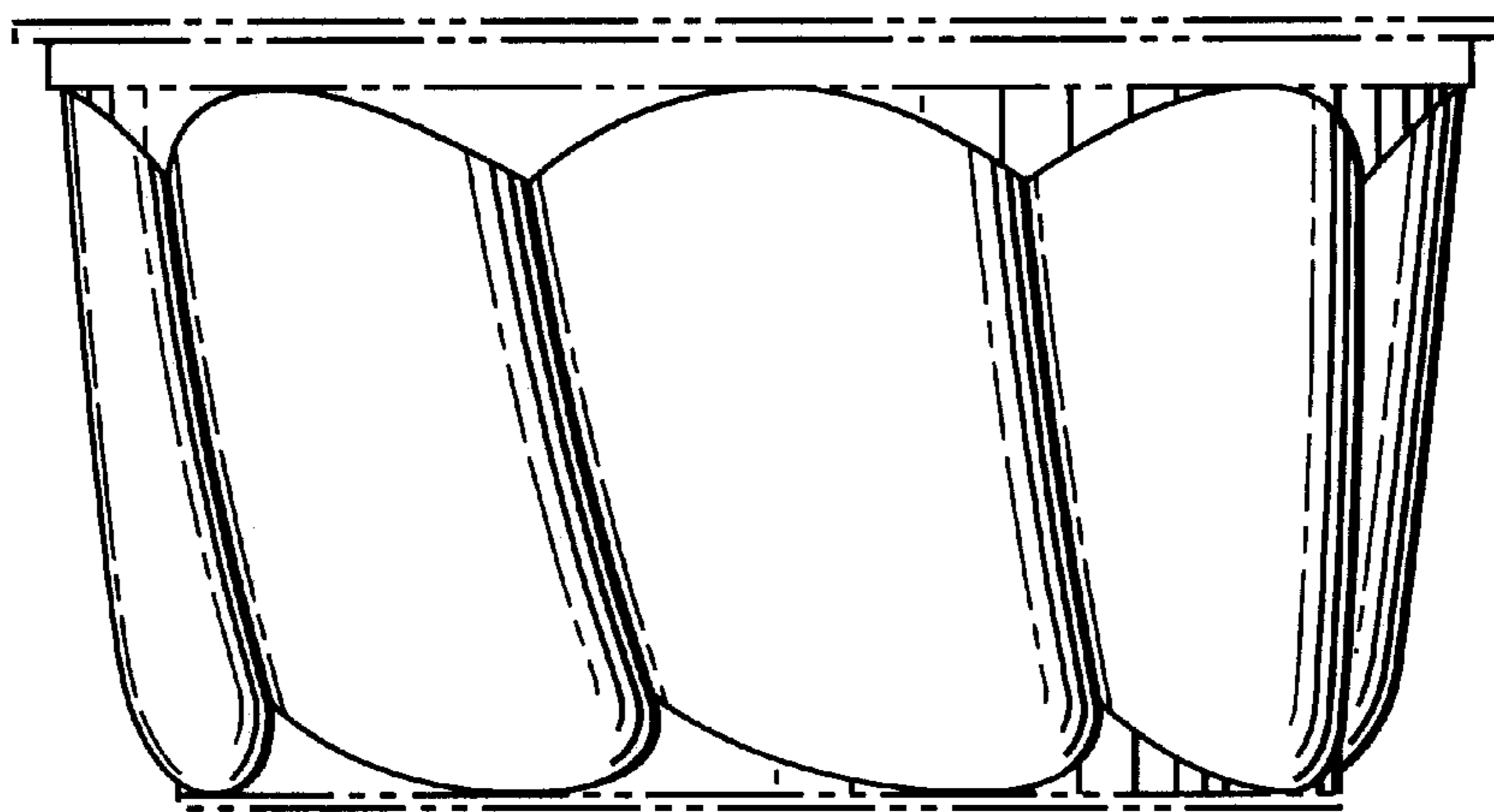


Fig. 4

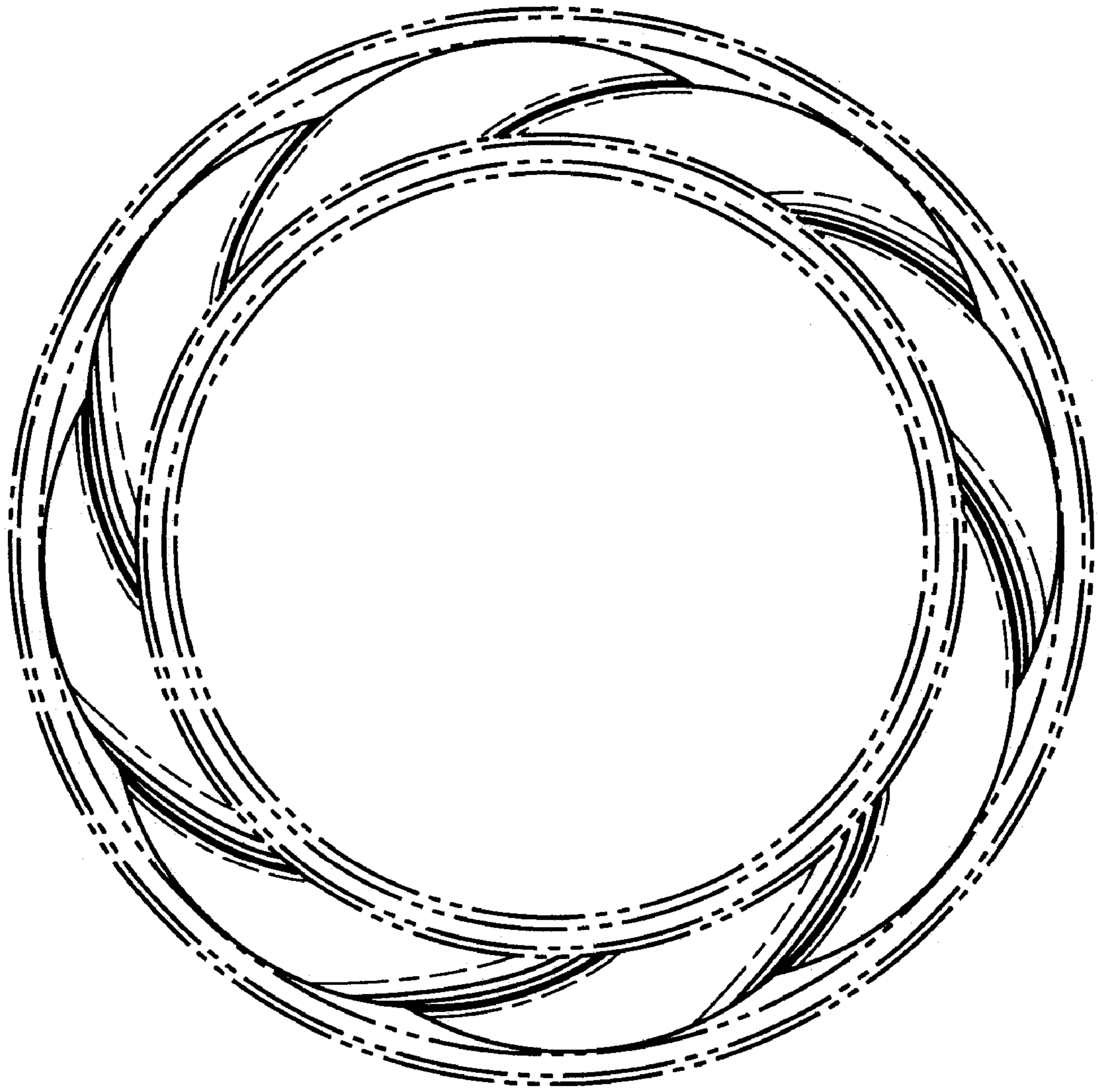


Fig. 5

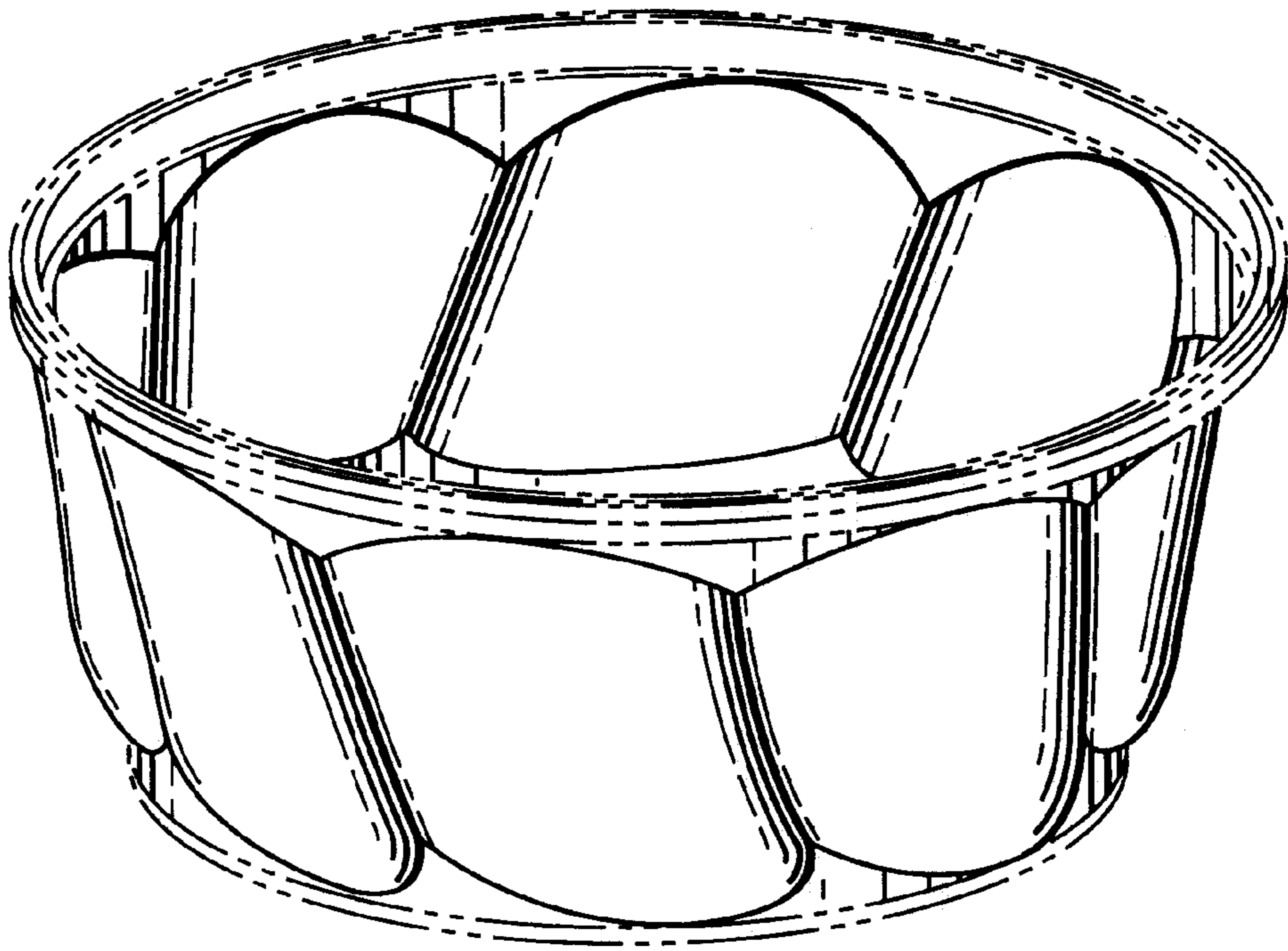


Fig. 6

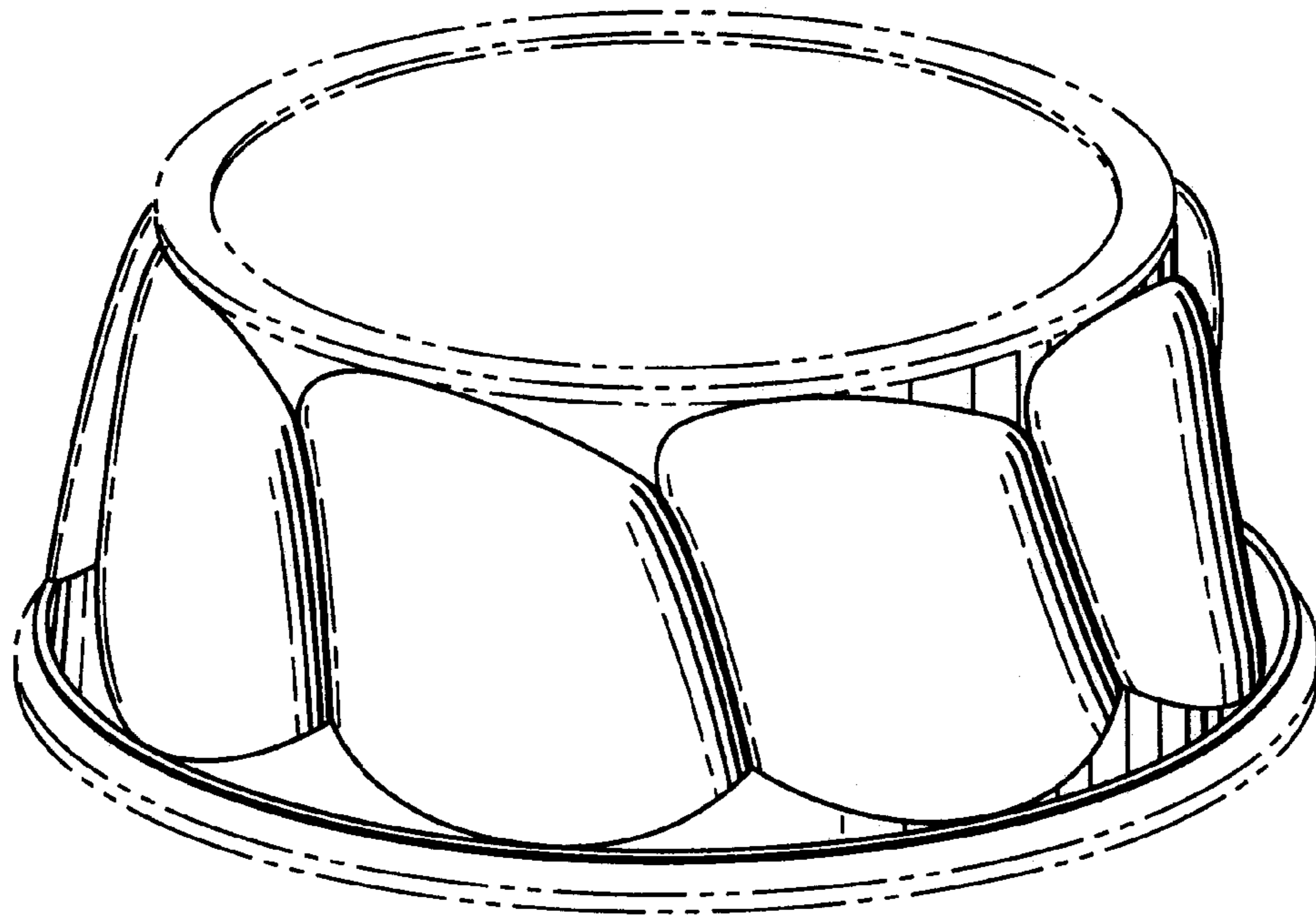


Fig. 7

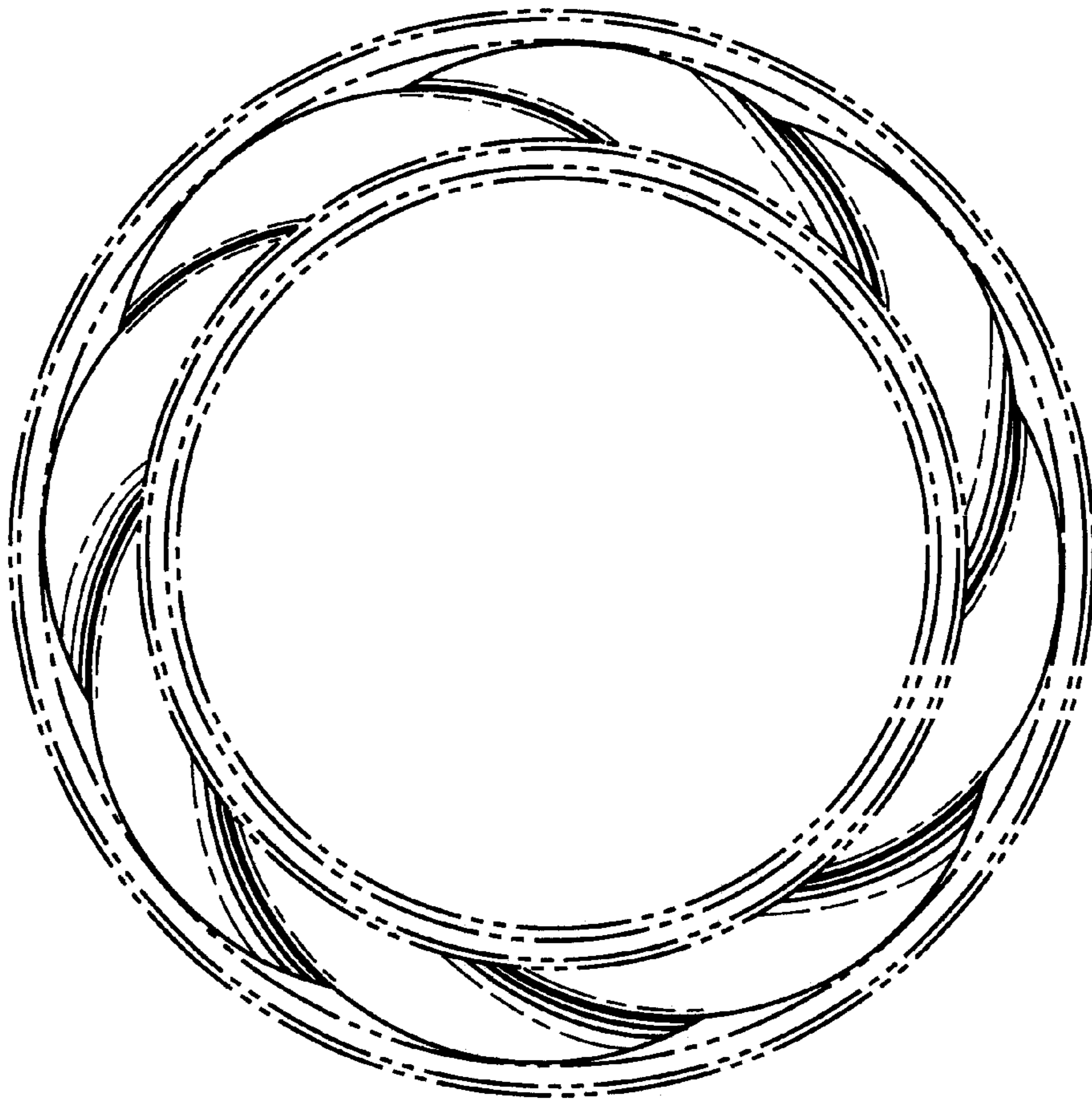


Fig. 8

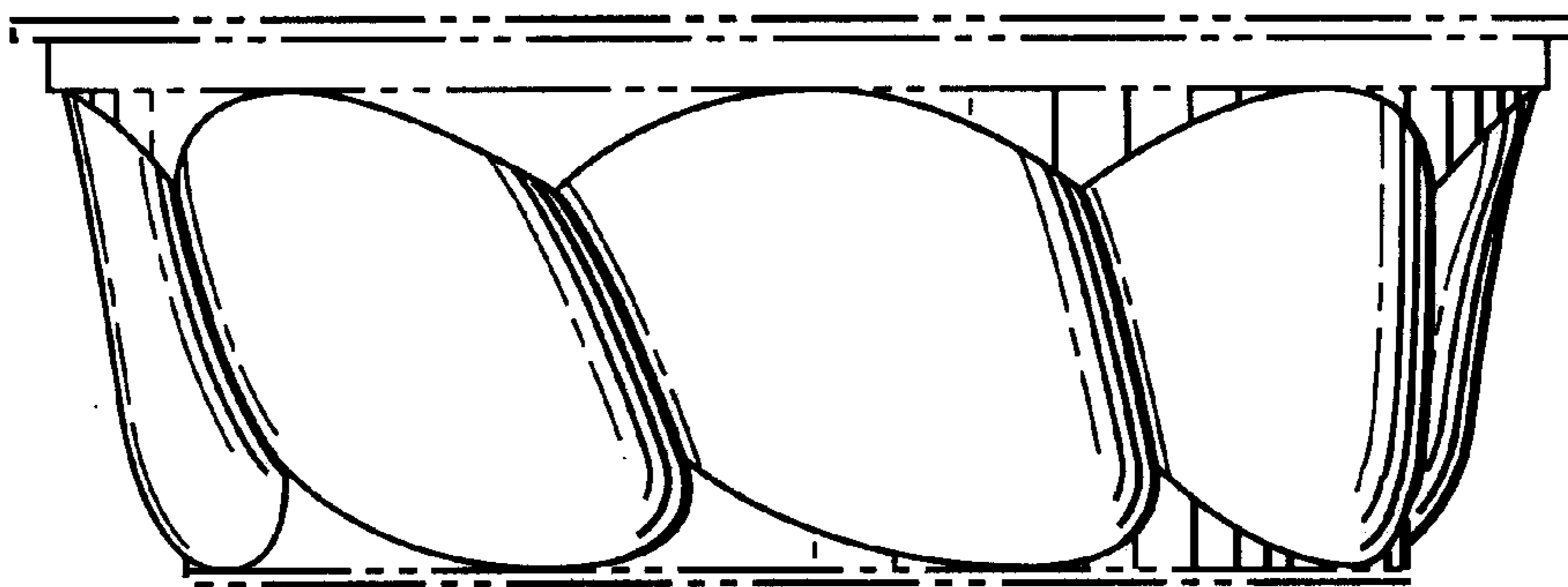


Fig. 9

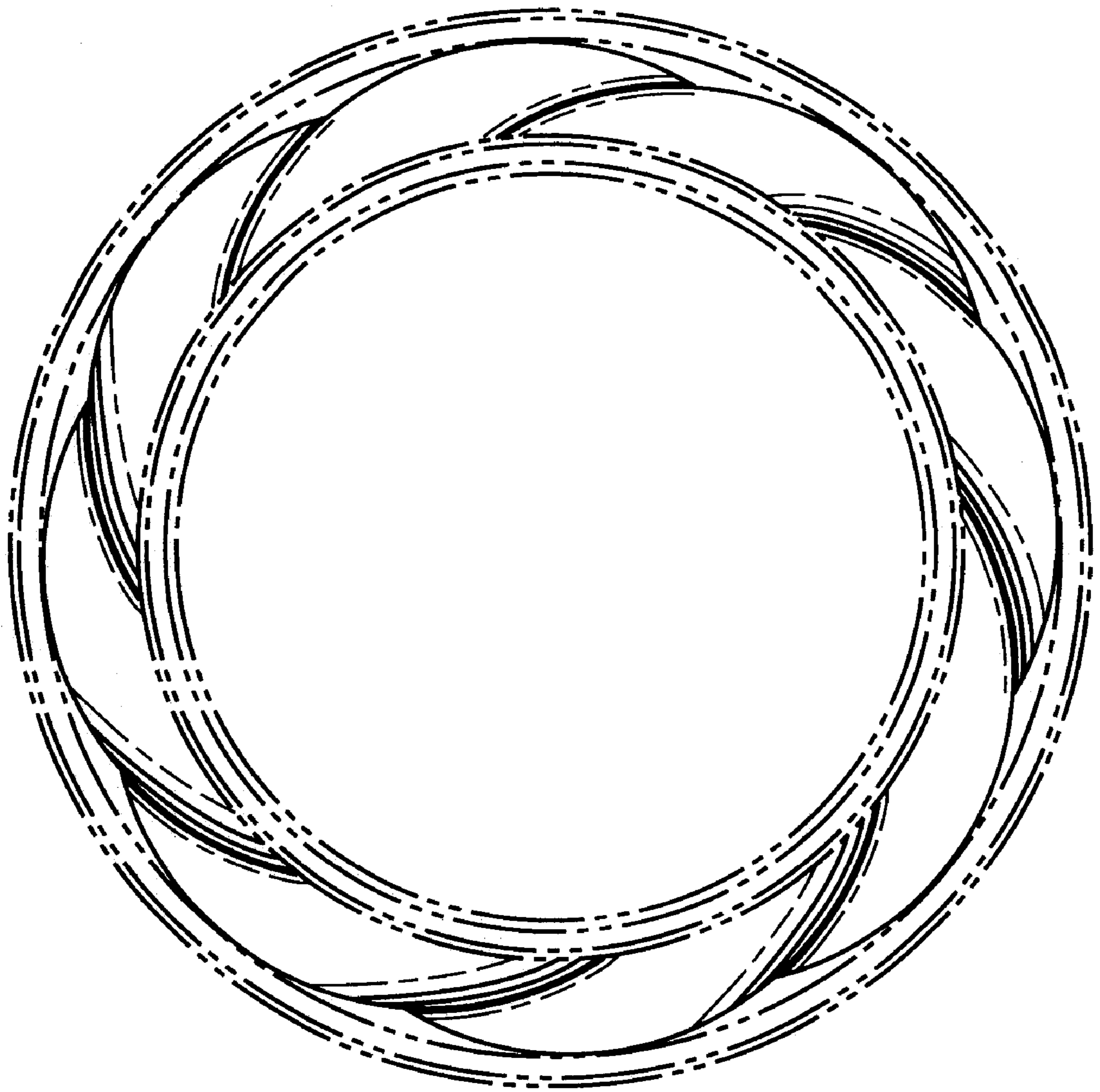


Fig. 10

UNITED STATES PATENT AND TRADEMARK OFFICE
CERTIFICATE OF CORRECTION

PATENT NO. : Des. 466,365 S
DATED : December 3, 2002
INVENTOR(S) : Dean R. Brown

Page 1 of 1

It is certified that error appears in the above-identified patent and that said Letters Patent is hereby corrected as shown below:

Title page,

DESCRIPTION, after the description of the figures, please insert the following sentence: --The broken lines are for illustrative purposes only and form no part of the claimed design. --

Signed and Sealed this

First Day of April, 2003

A handwritten signature in black ink, appearing to read "James E. Rogan", with a horizontal line drawn underneath it.

JAMES E. ROGAN
Director of the United States Patent and Trademark Office