



US00D466363S

(12) **United States Design Patent**
Dalton et al.

(10) **Patent No.:** **US D466,363 S**

(45) **Date of Patent:** **** Dec. 3, 2002**

(54) **FOOD PROCESSOR**

4,371,118 A * 2/1983 Sontheimer et al. 241/30
D327,806 S * 7/1992 Fleche D7/384

(75) Inventors: **Jonathan Dalton**, Portland, OR (US);
Michael T. Seum, St. Joseph, MI (US);
Philip Michael Thompson, St. Joseph,
MI (US); **Aaron Hayes**, Portland, OR
(US); **James Owen**, Portland, OR (US);
Jamian Cobbett, Portland, OR (US)

* cited by examiner

Primary Examiner—Caron D. Veynar
(74) *Attorney, Agent, or Firm*—Robert O. Rice; Stephen D.
Krefman; Thomas J. Roth

(73) Assignee: **Whirlpool Corporation**, Benton
Harbor, MI (US)

(57) **CLAIM**

(**) Term: **14 Years**

The ornamental design for a food processor, as shown and
described.

(21) Appl. No.: **29/155,302**

DESCRIPTION

(22) Filed: **Feb. 7, 2002**

(51) **LOC (7) Cl.** **31-00**

FIG. 1 is a front perspective view of the design of the present
invention.

(52) **U.S. Cl.** **D7/384**

FIG. 2 is a front elevational view thereof;

(58) **Field of Search** D7/376-386, 412,
D7/413; 241/30, 33, 101.01, 301; 366/197,
242, 247, 251, 279, 349

FIG. 3 is a right side elevational view thereof; and,

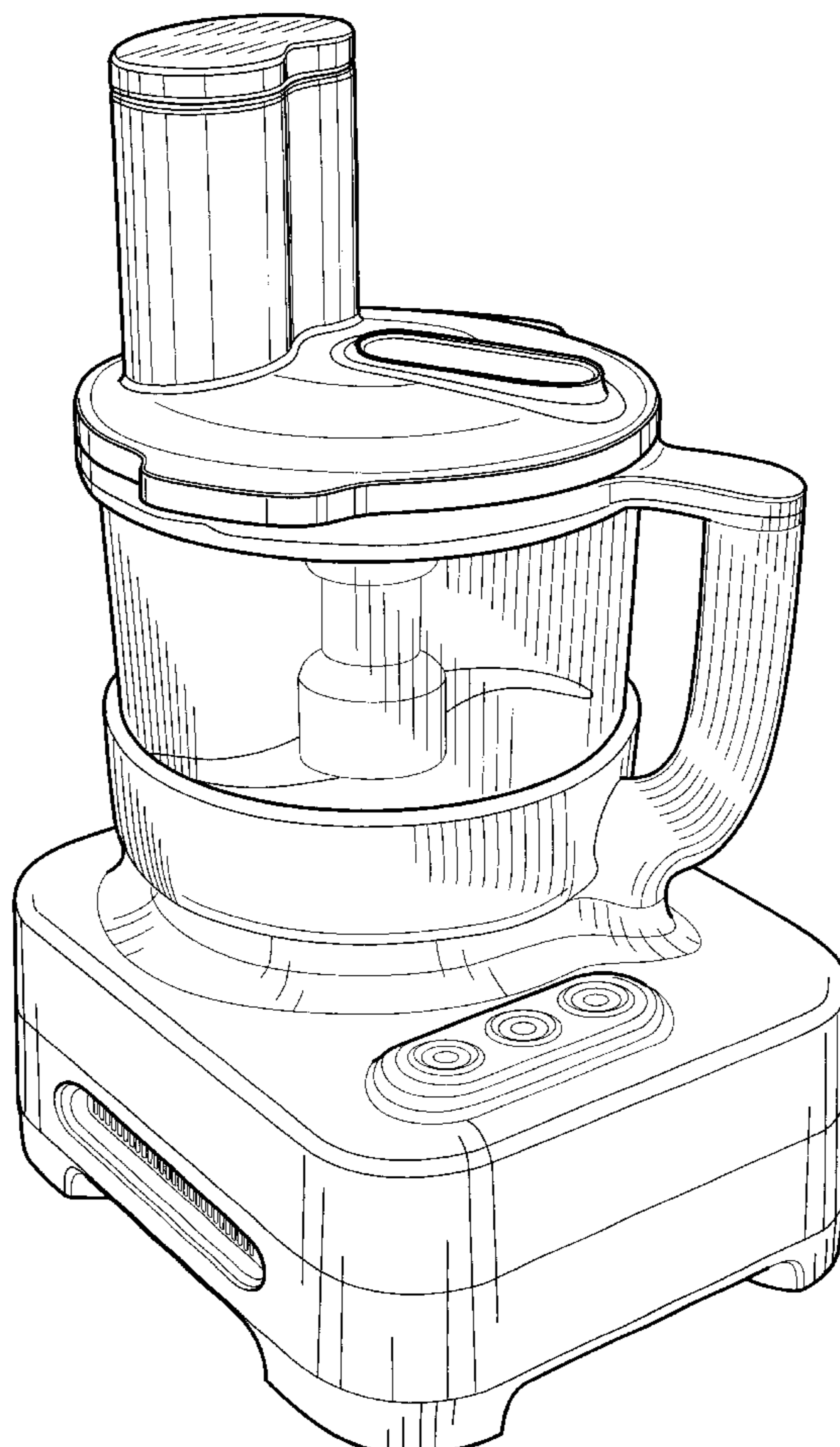
FIG. 4 is a top plan view thereof.

(56) **References Cited**

U.S. PATENT DOCUMENTS

4,199,268 A * 4/1980 Parzych 366/306

1 Claim, 4 Drawing Sheets



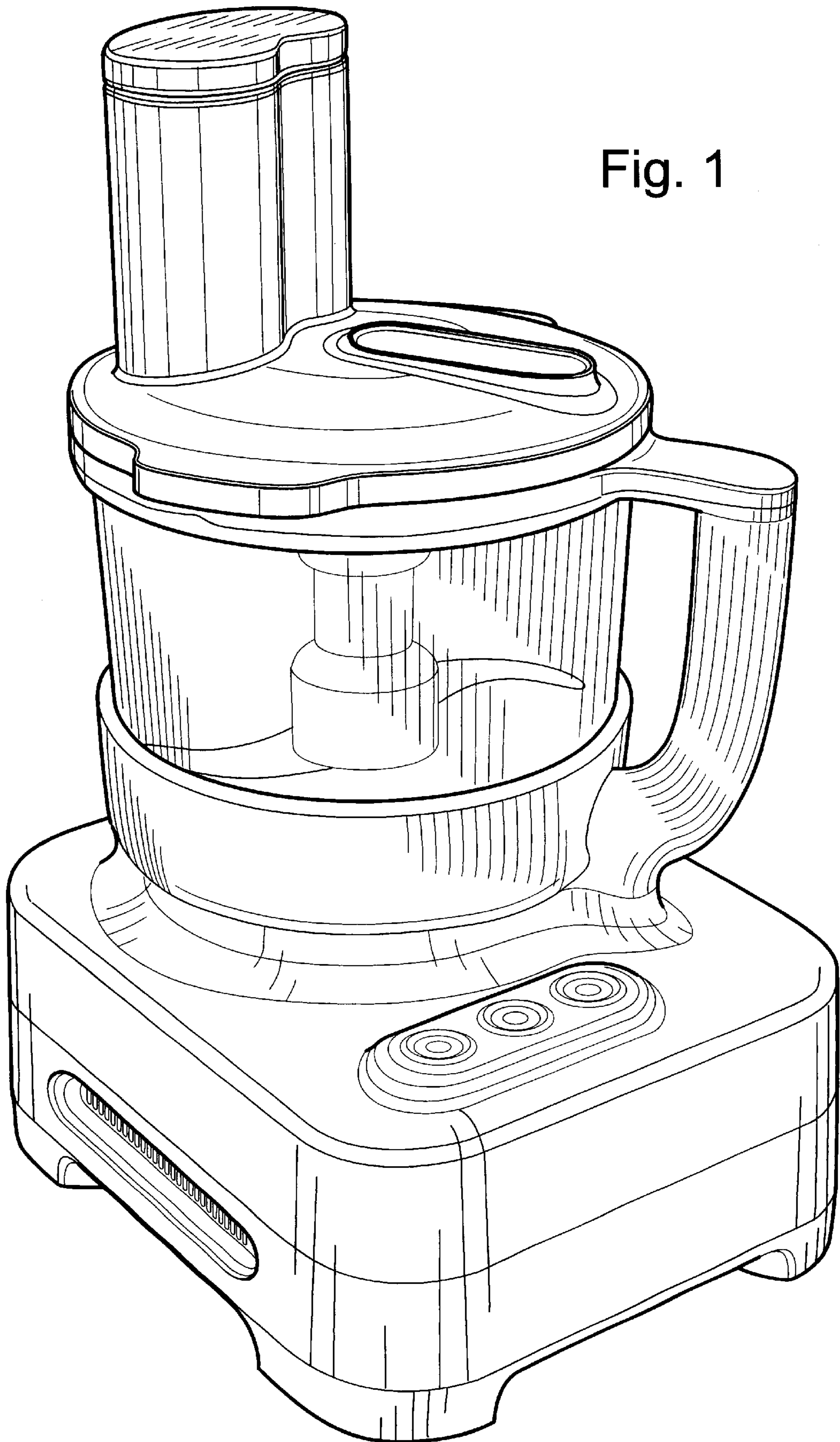


Fig. 1

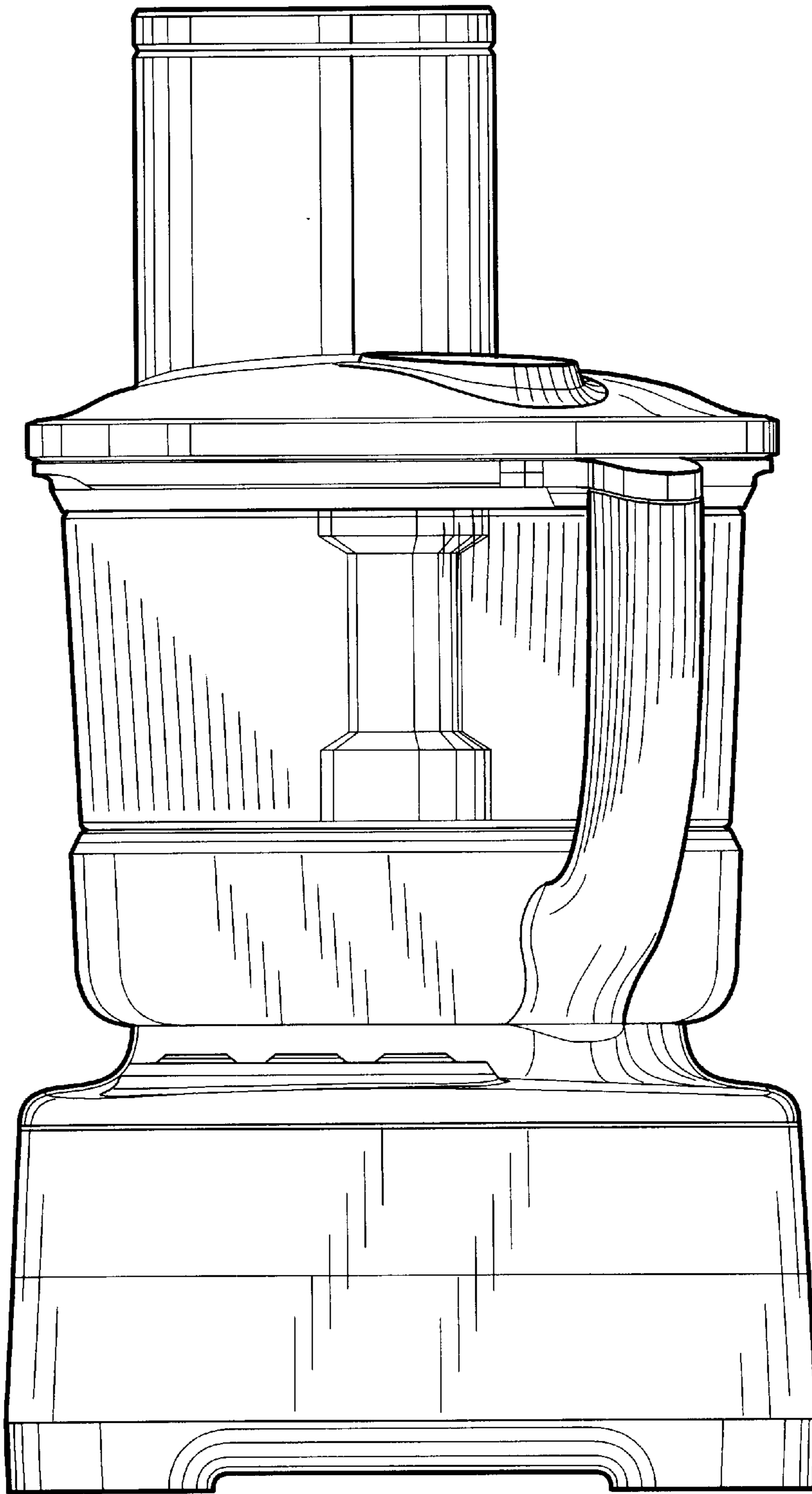


Fig. 2

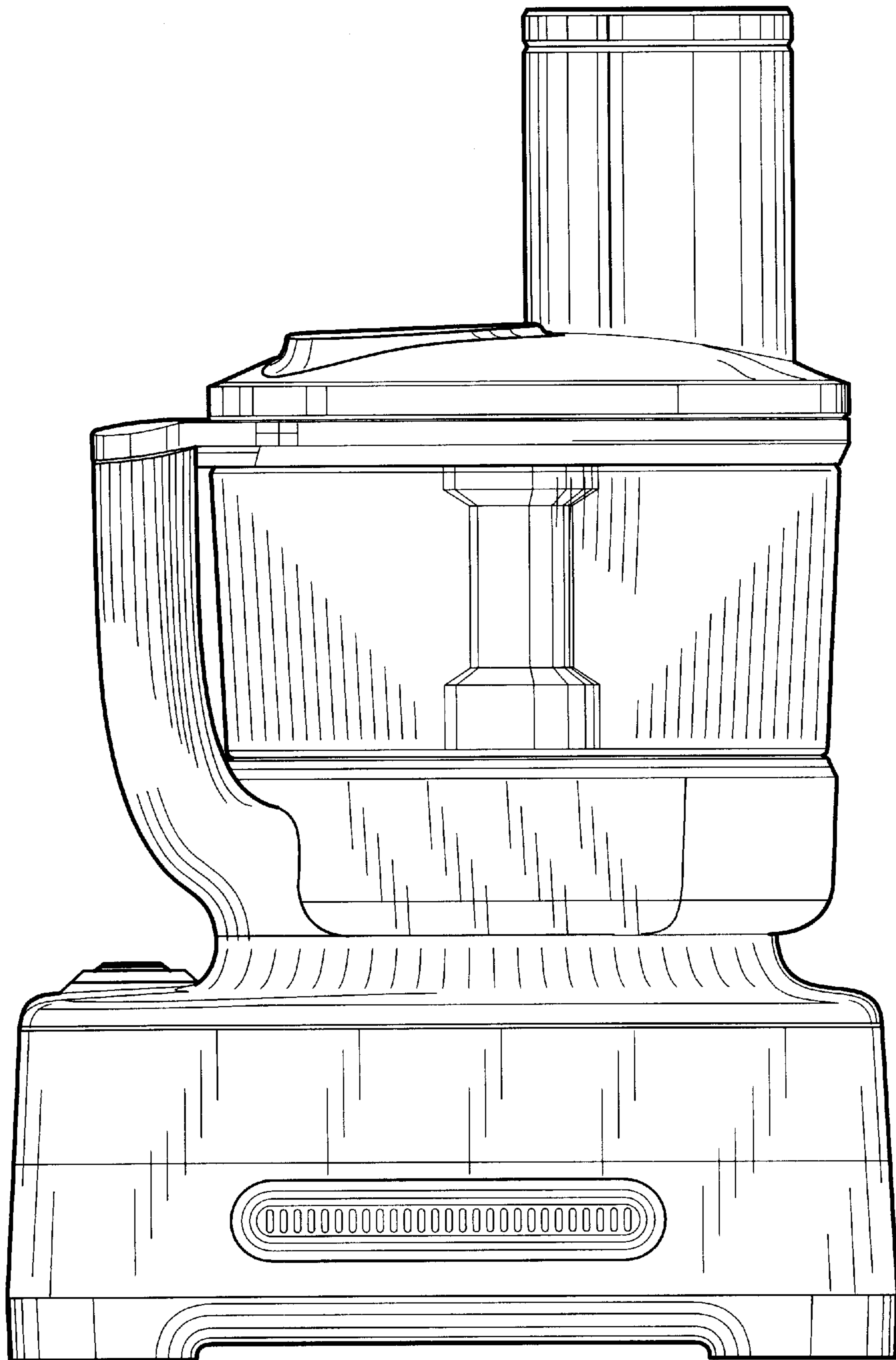


Fig. 3

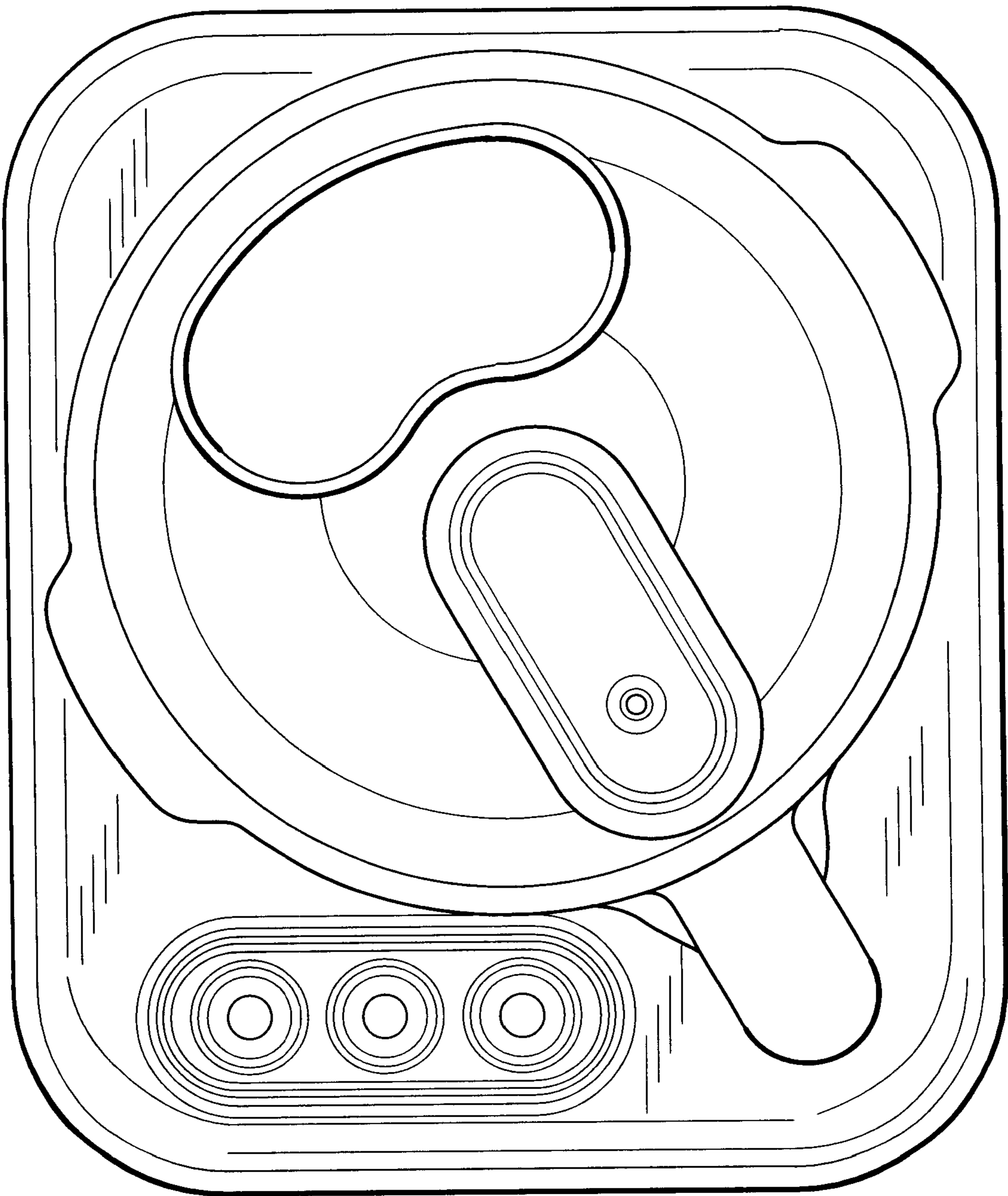


Fig. 4