



US00D466362S

(12) **United States Design Patent**  
**Moore**

(10) **Patent No.:** **US D466,362 S**

(45) **Date of Patent:** **\*\* Dec. 3, 2002**

(54) **BLENDER**

(75) **Inventor:** **Devin Lee Moore**, Decatur, GA (US)

(73) **Assignee:** **Conair Cip, Inc.**, Stamford, CT (US)

(\*\*) **Term:** **14 Years**

(21) **Appl. No.:** **29/153,619**

(22) **Filed:** **Jan. 11, 2002**

(51) **LOC (7) Cl.** ..... **31-00**

(52) **U.S. Cl.** ..... **D7/378**

(58) **Field of Search** ..... D7/376-378, 384,  
D7/386; 366/64, 197, 199, 205, 206, 219,  
241, 244, 314; 241/33, 301, 285.2

(56) **References Cited**

**U.S. PATENT DOCUMENTS**

D195,241 S	5/1963	Chapman et al. ....	D7/386
D204,924 S	5/1966	Di Sesa et al. ....	D7/378
D232,297 S	8/1974	Mantelet .....	D7/378
D339,715 S	9/1993	Barrault .....	D7/378
D347,144 S	5/1994	Brady .....	D7/413
D373,504 S	9/1996	Leverrier .....	D7/378
D386,357 S	11/1997	Davidson .....	D7/413
D387,948 S	12/1997	Leverrier .....	D7/378
D394,986 S	6/1998	Lallemand .....	D7/378
D415,384 S	* 10/1999	Littmann .....	D7/378

D434,596 S	12/2000	Naft et al. ....	D7/378
D439,797 S	* 4/2001	Planca et al. ....	D7/378
D448,967 S	* 10/2001	Planca et al. ....	D7/378
D450,978 S	11/2001	Smith .....	D7/378
D453,443 S	2/2002	Hoare et al. ....	D7/378

\* cited by examiner

*Primary Examiner*—Caron D. Veynar

(74) *Attorney, Agent, or Firm*—Ohlandt, Greeley, Ruggiero & Perle, LLP

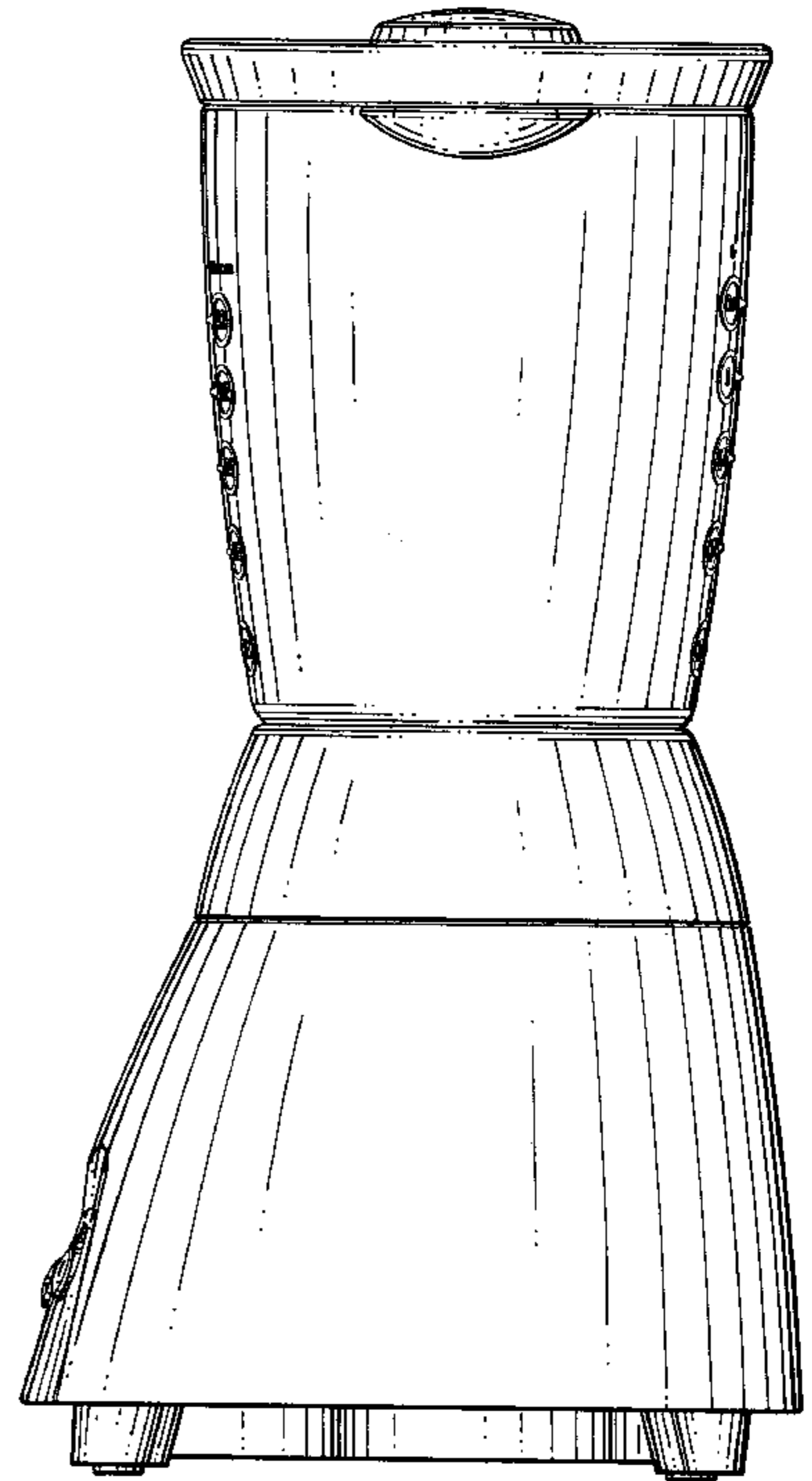
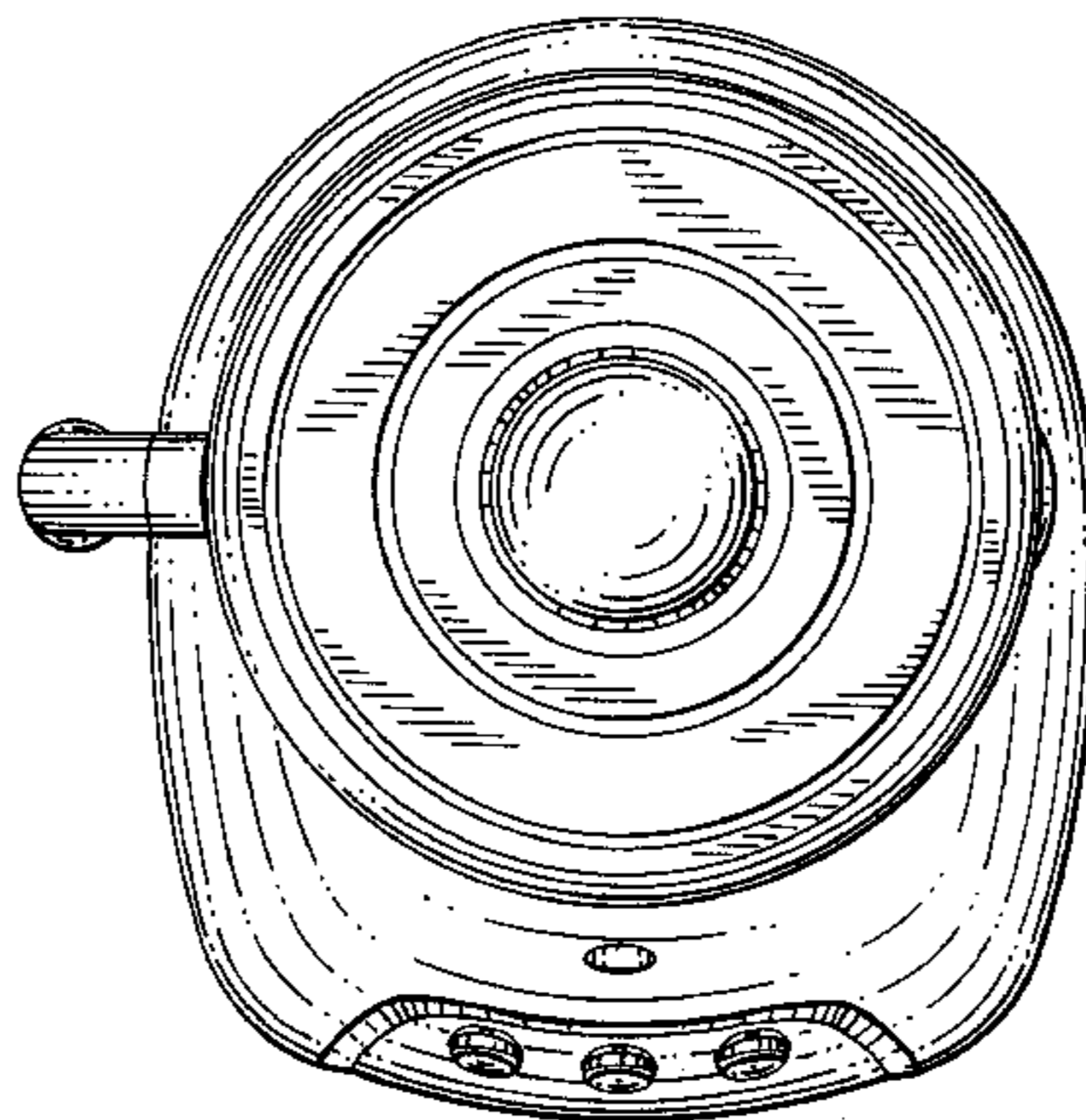
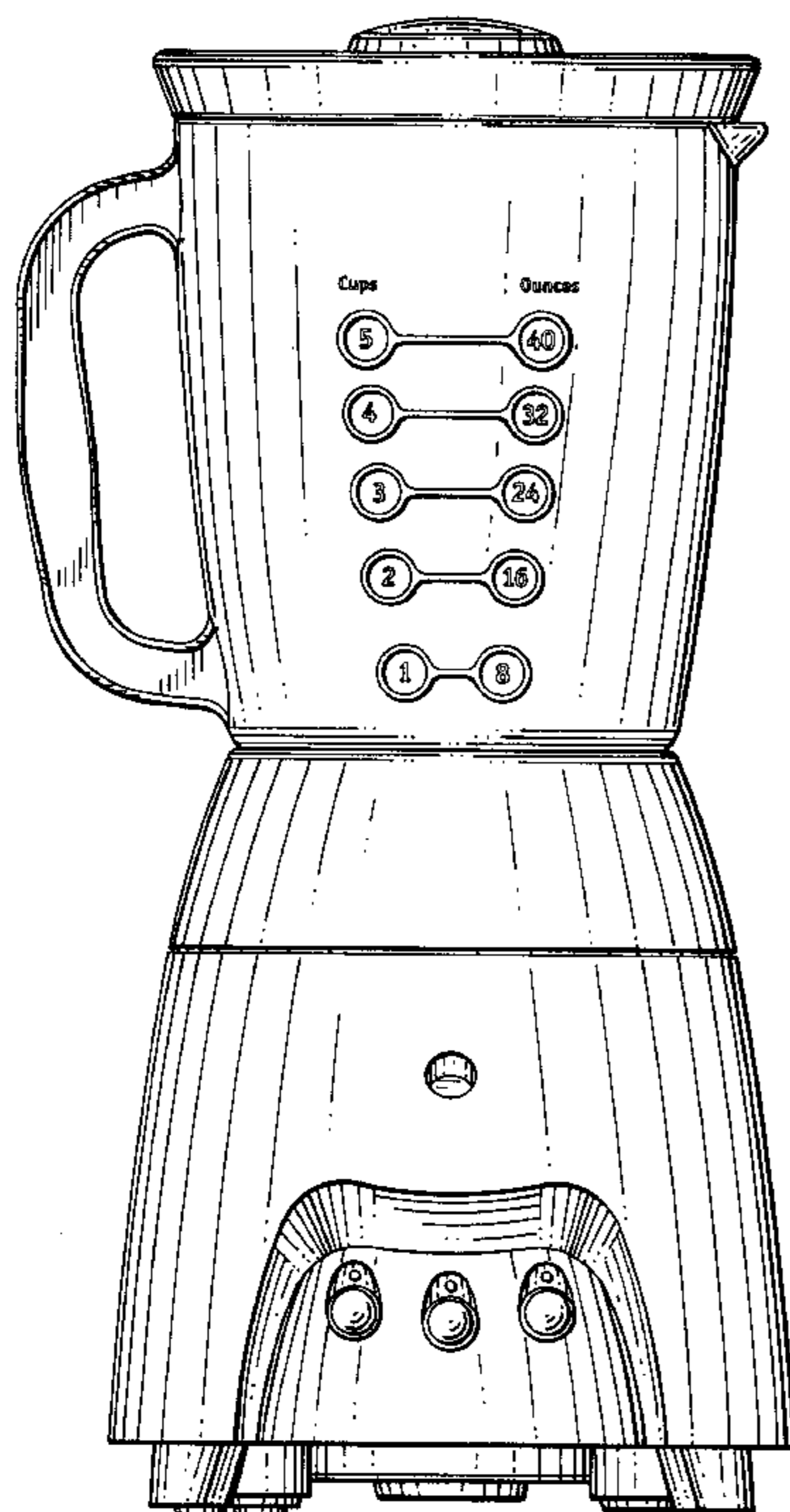
(57) **CLAIM**

The ornamental design for a blender, as shown and described.

**DESCRIPTION**

FIG. 1 is a first side view of a blender according to the present invention;  
 FIG. 2 is a top view of the blender of FIG. 1;  
 FIG. 3 is a second side view, rotated ninety degrees from the first side view, of the blender of FIG. 1;  
 FIG. 4 is a third side view, opposite the second side view, of the blender of FIG. 1;  
 FIG. 5 is a fourth side view, opposite the first side view, of the blender of FIG. 1; and,  
 FIG. 6 is a bottom view of the blender of FIG. 1.

**1 Claim, 5 Drawing Sheets**



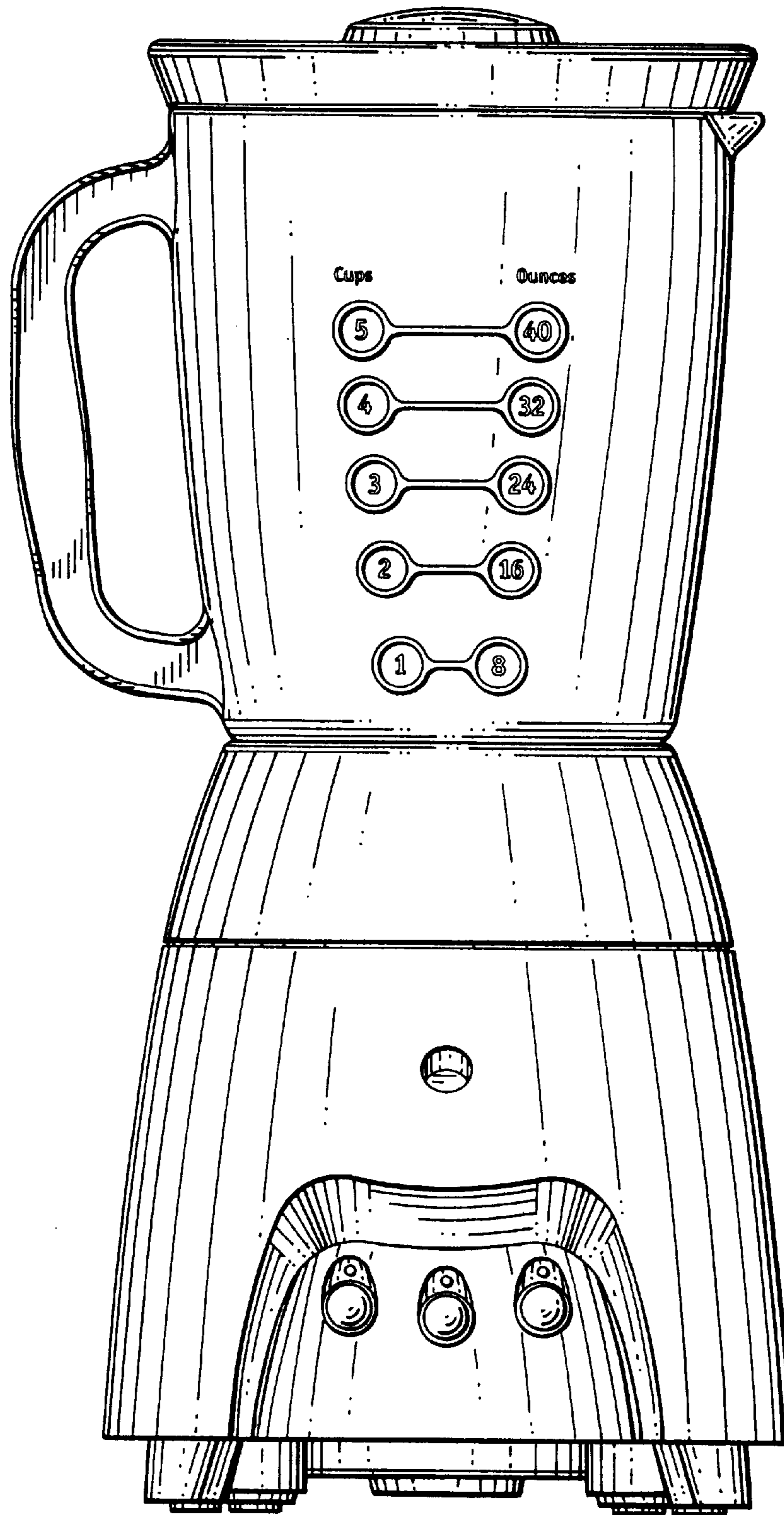


FIG. 1

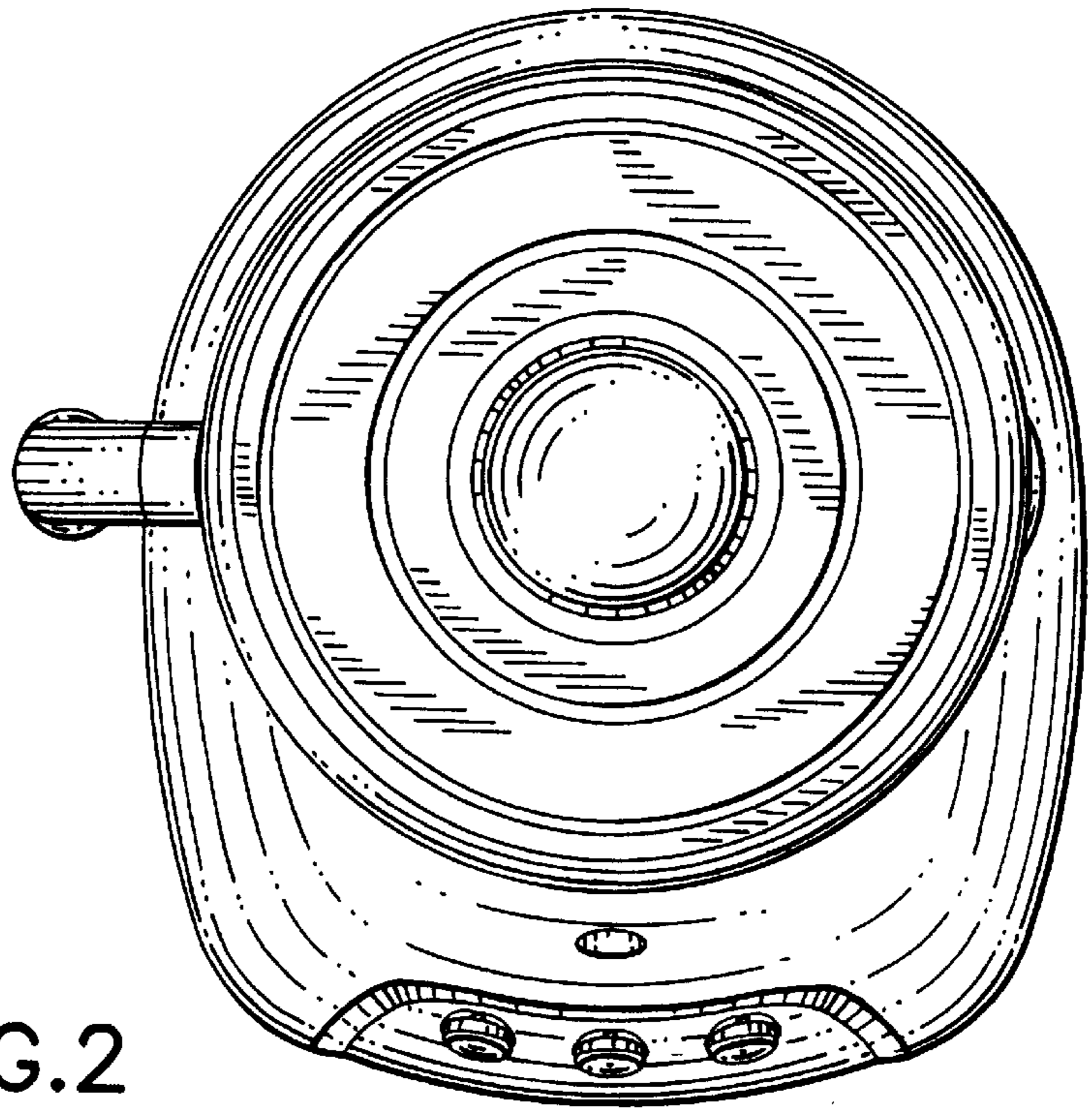


FIG. 2

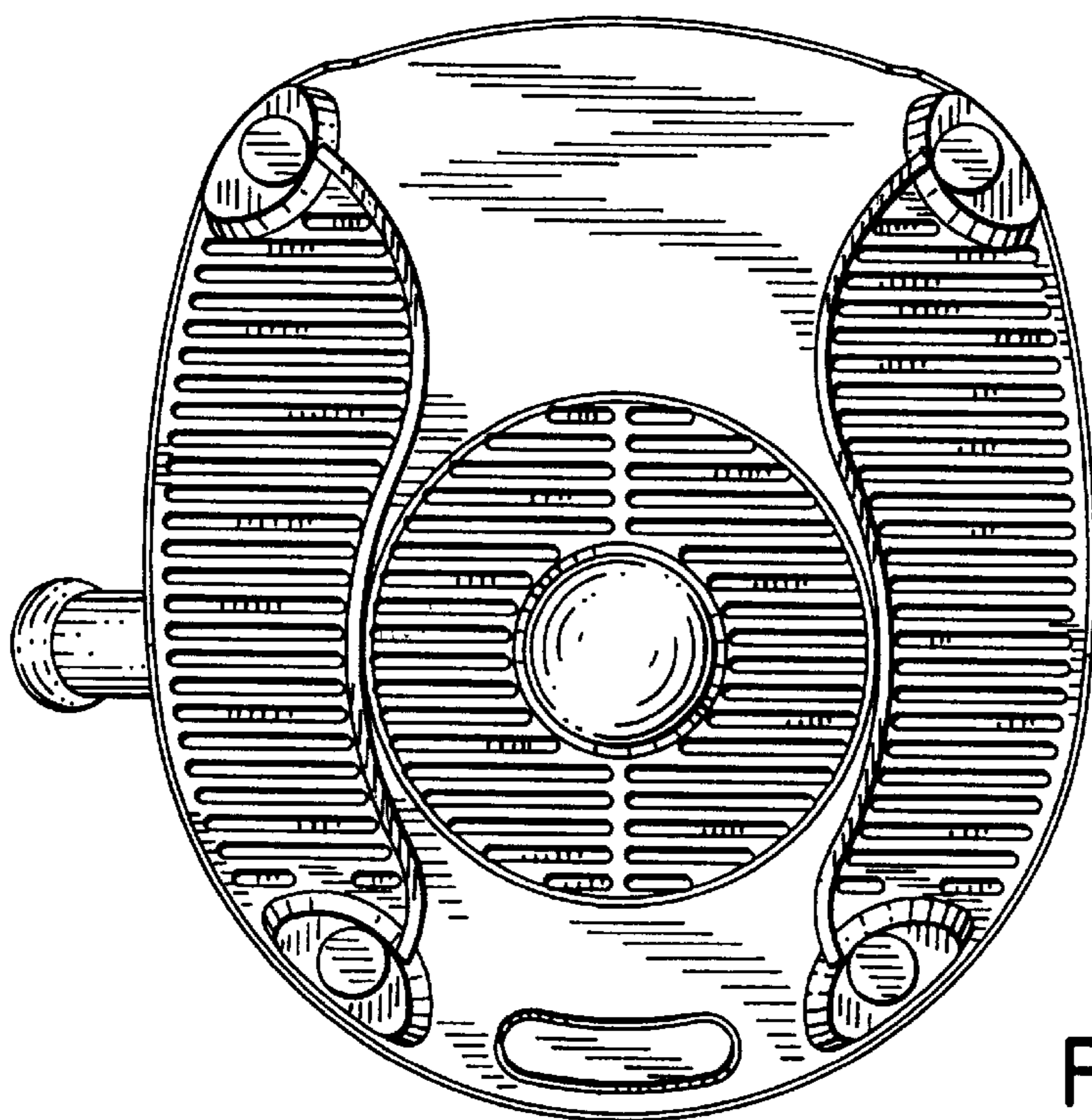


FIG. 6

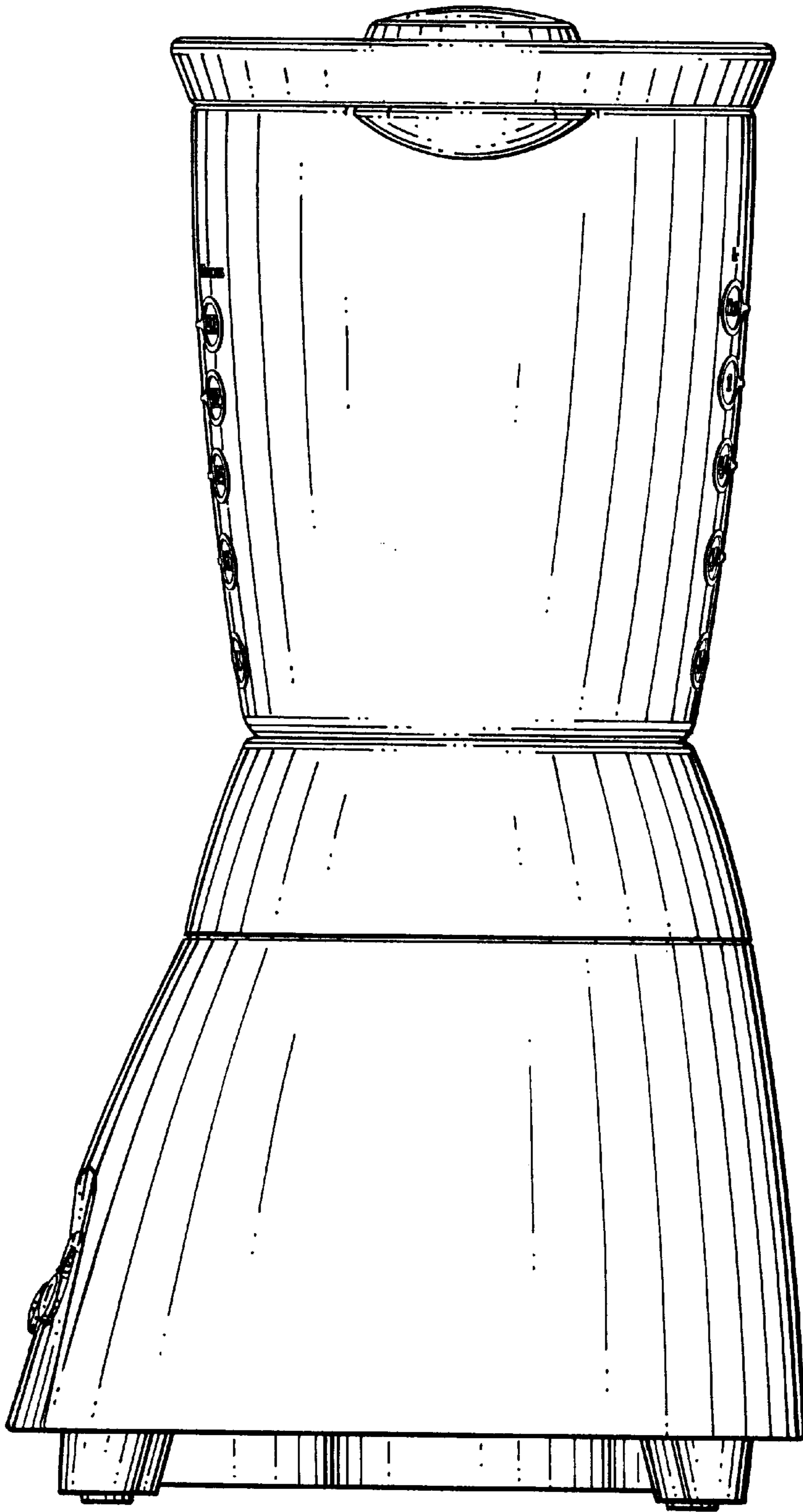


FIG. 3

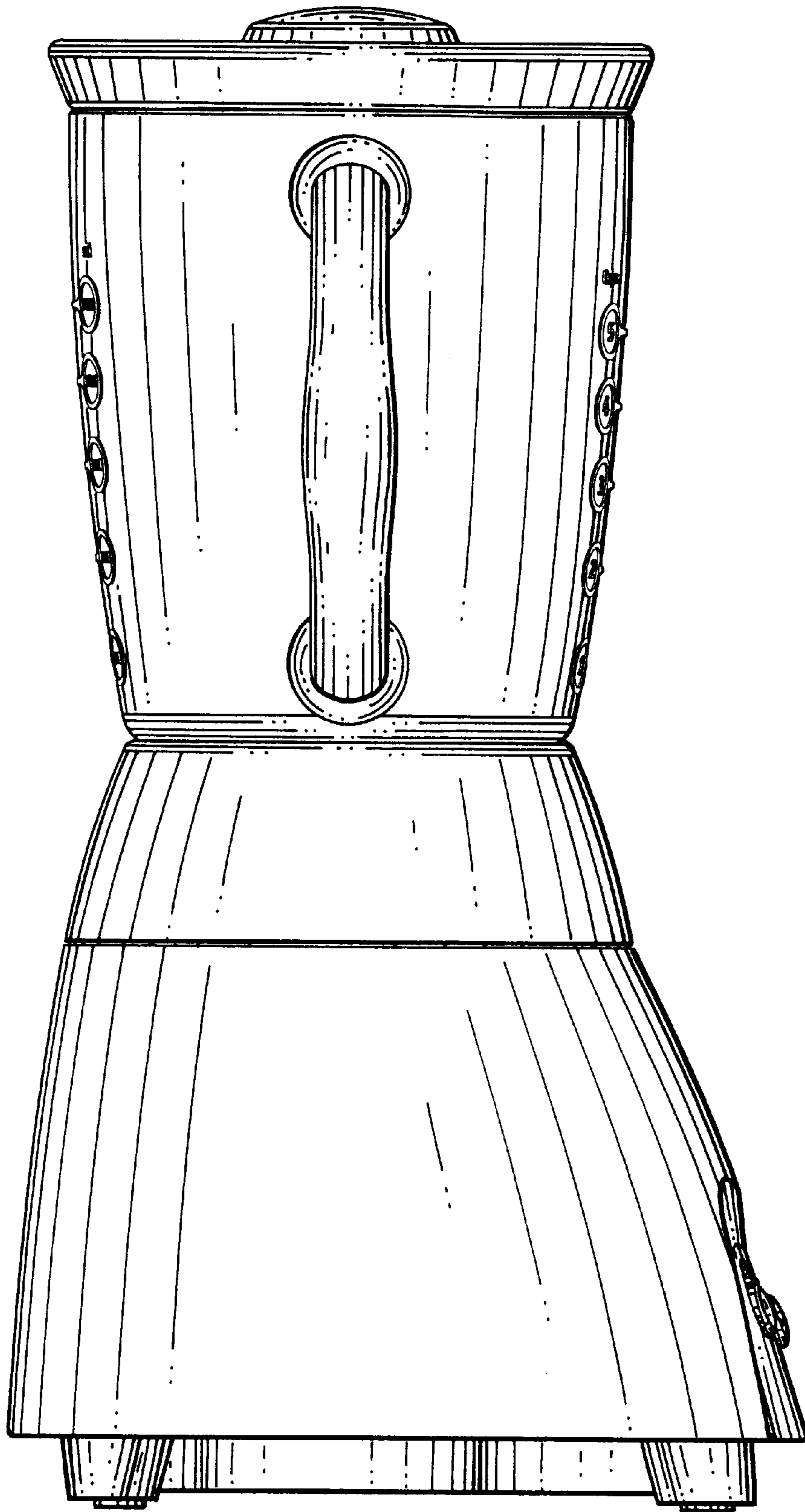


FIG. 4

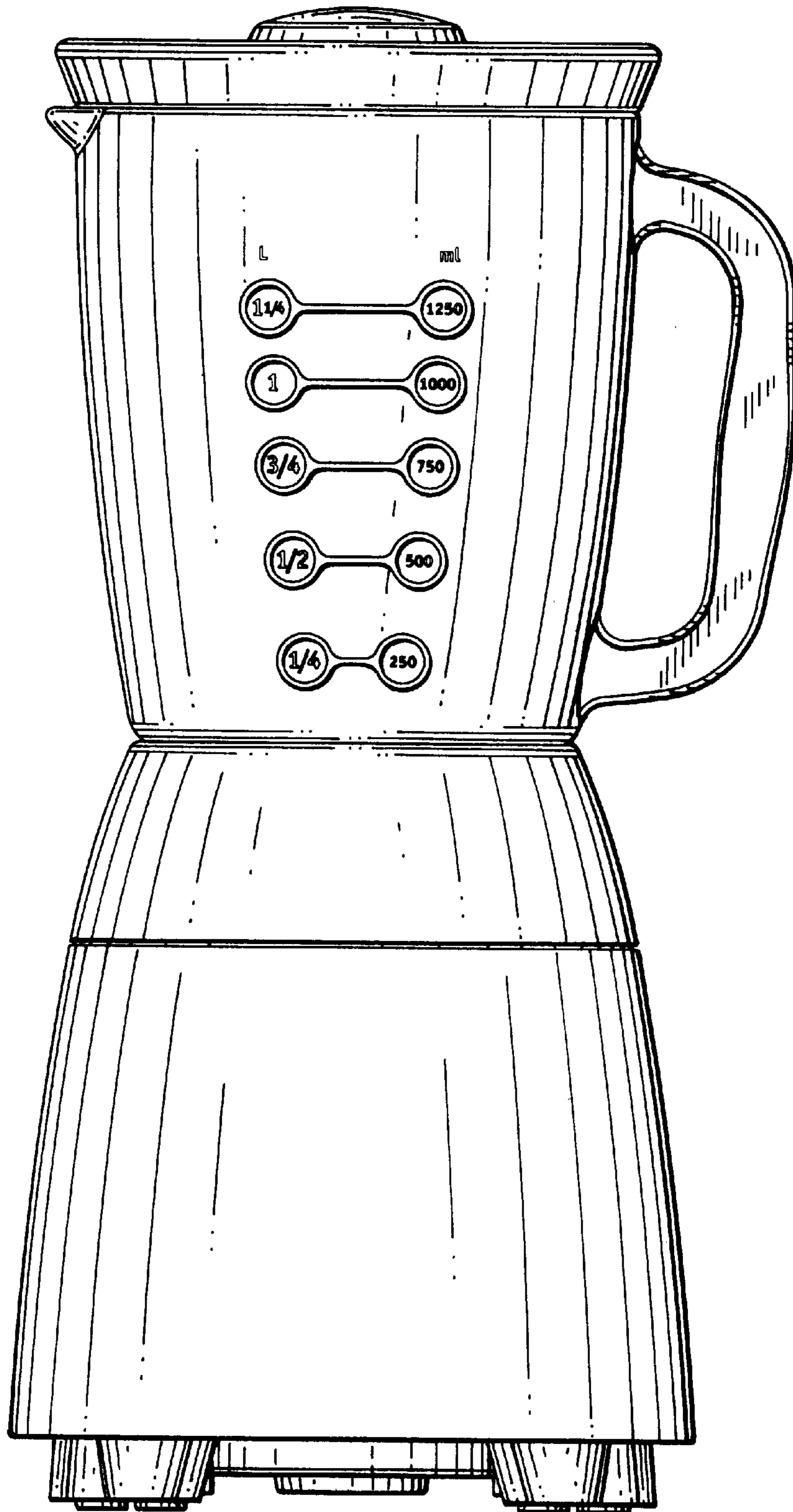


FIG.5