



US00D466361S

(12) **United States Design Patent**  
**Wanat et al.**

(10) **Patent No.:** **US D466,361 S**

(45) **Date of Patent:** **\*\* Dec. 3, 2002**

(54) **WAFFLE MAKER**

(75) **Inventors:** **David J. Wanat**, Meriden, CT (US);  
**Michelle M. Carillo**, Norwalk, CT  
(US); **Howard I. Steinberg**, Shelton,  
CT (US)

(73) **Assignee:** **Conair CIP, Inc.**, Stamford, CT (US)

(\*\*) **Term:** **14 Years**

(21) **Appl. No.:** **29/153,642**

(22) **Filed:** **Jan. 10, 2002**

(51) **LOC (7) Cl.** ..... **07-02**

(52) **U.S. Cl.** ..... **D7/352**

(58) **Field of Search** ..... D7/323, 328, 337,  
D7/352, 362, 363, 367; 99/324, 325, 332,  
339, 340, 349, 372, 378, 376, 377

(56) **References Cited**

**U.S. PATENT DOCUMENTS**

D155,422 S	10/1949	Henderson	
D168,762 S	* 2/1953	Polivka	..... D7/352
D175,547 S	* 9/1955	Josephson	..... D7/352
D177,637 S	* 5/1956	Moore	..... D7/352
D179,630 S	* 2/1957	Ernest	..... D7/352
2,903,959 A	9/1959	Wagner et al.	..... 99/376
D309,844 S	8/1990	Storsberg	..... D7/352
D367,994 S	3/1996	Bloom et al.	..... D7/352
D419,823 S	2/2000	Choi	..... D7/352

D436,794 S	* 1/2001	McClellan	..... D7/352
D451,754 S	12/2001	Cousins et al	..... D7/352
D452,109 S	* 12/2001	Hensel	..... D7/352
D452,411 S	12/2001	Gruaz	..... D7/352

**FOREIGN PATENT DOCUMENTS**

DE	3304170 A1	8/1984
DE	3324000 A1	1/1985

\* cited by examiner

*Primary Examiner*—Caron D. Veynar

(74) *Attorney, Agent, or Firm*—Ohlandt, Greeley, Ruggiero & Perle, LLP

(57) **CLAIM**

The ornamental design for a waffle maker, as shown and described.

**DESCRIPTION**

FIG. 1 is a perspective view of a waffle maker according to the present invention, the broken line disclosure is for illustrative purposes only and forms no part of the claimed design;

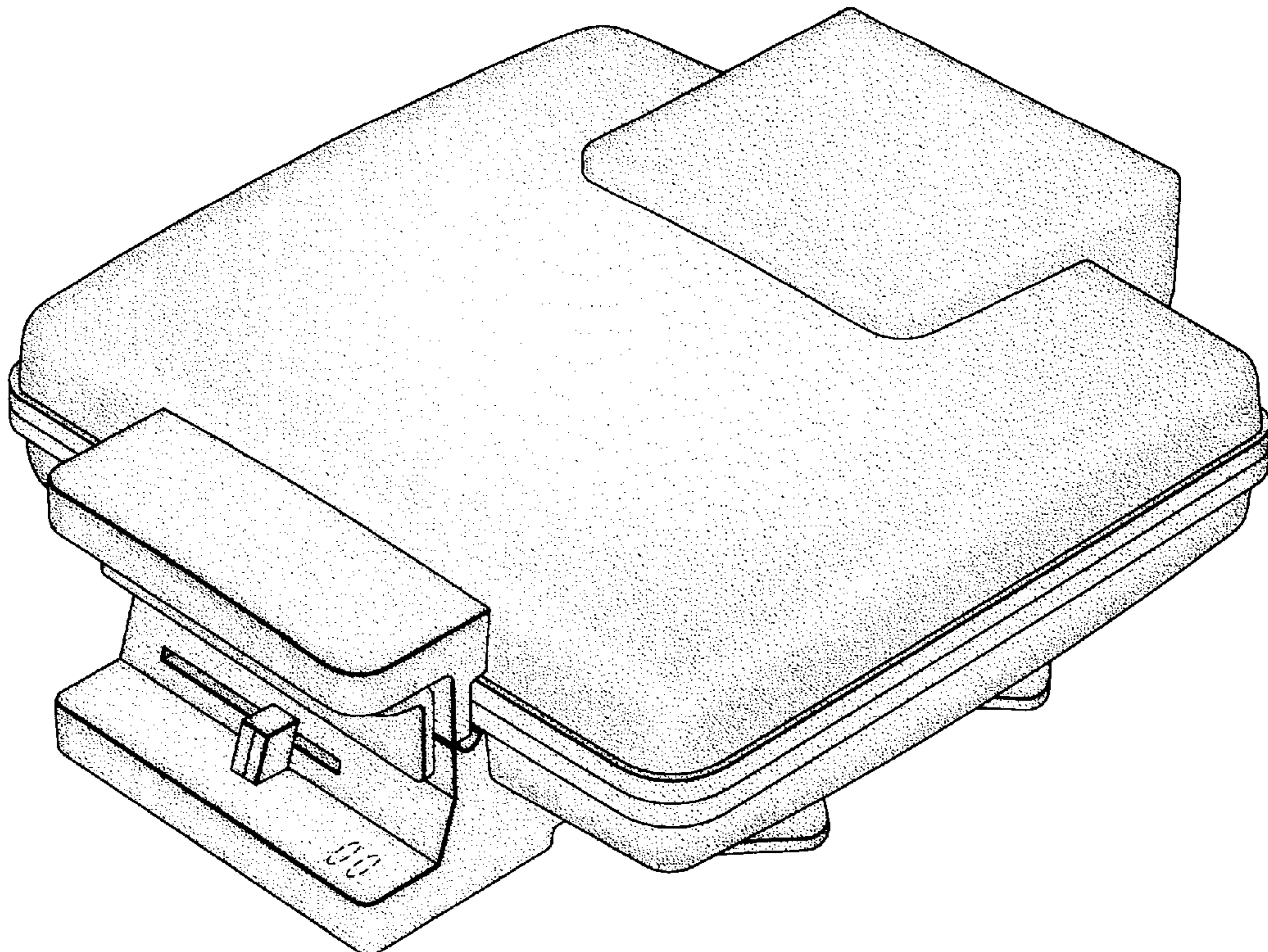
FIG. 2 is a side view of the waffle maker of FIG. 1, the opposite side being symmetric thereto;

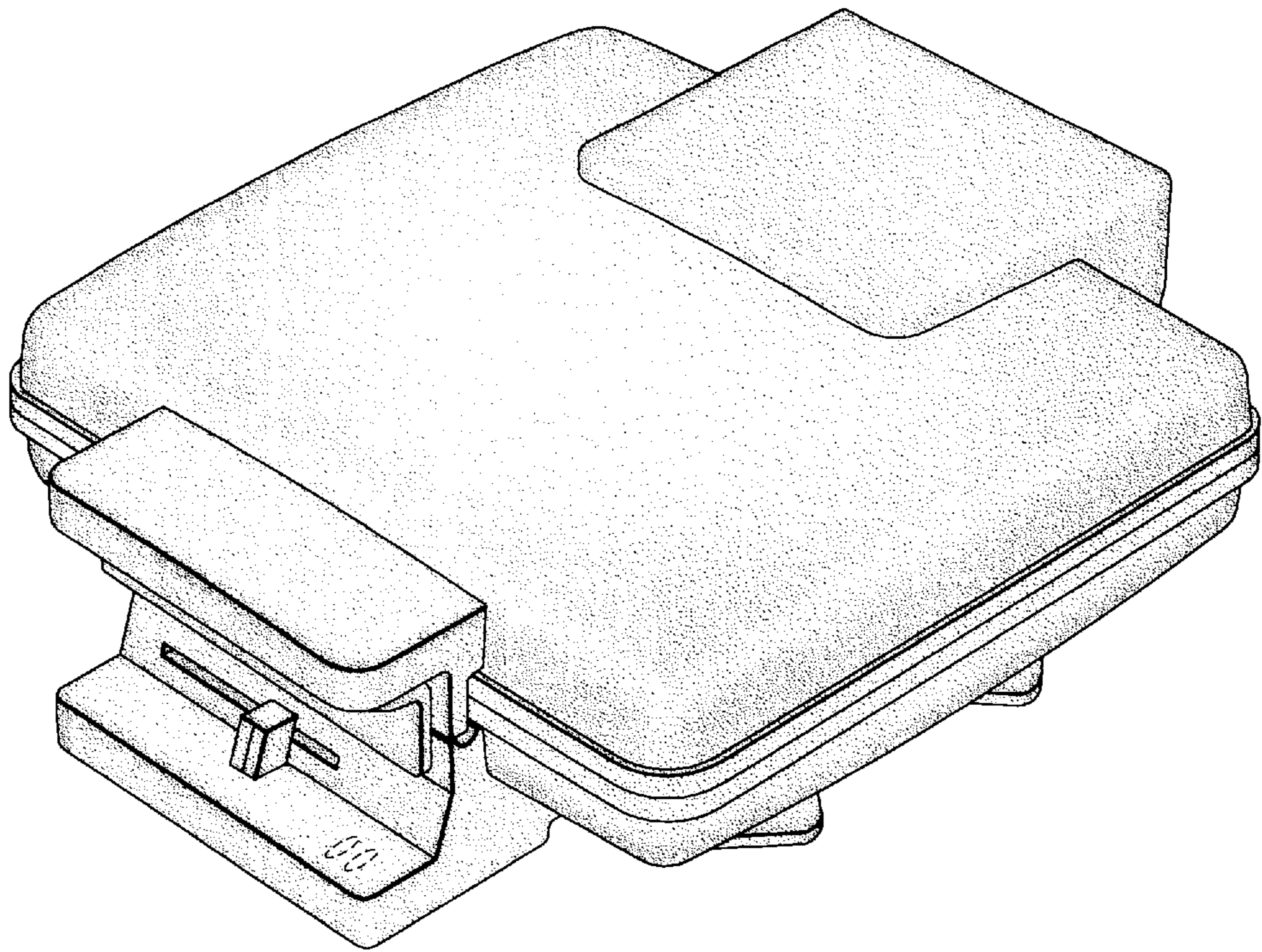
FIG. 3 is a front view of the waffle maker of FIG. 1;

FIG. 4 is a rear view, opposite the front view, of the waffle maker of FIG. 1; and,

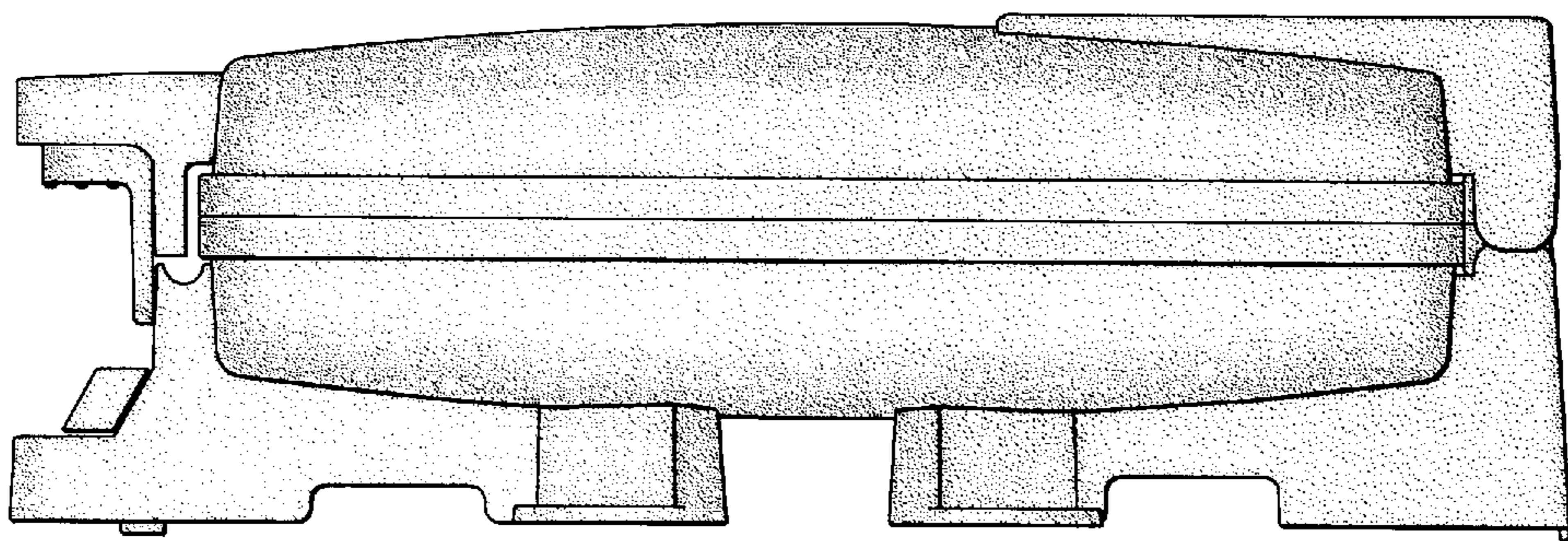
FIG. 5 is a top view of the waffle maker of FIG. 1.

**1 Claim, 3 Drawing Sheets**

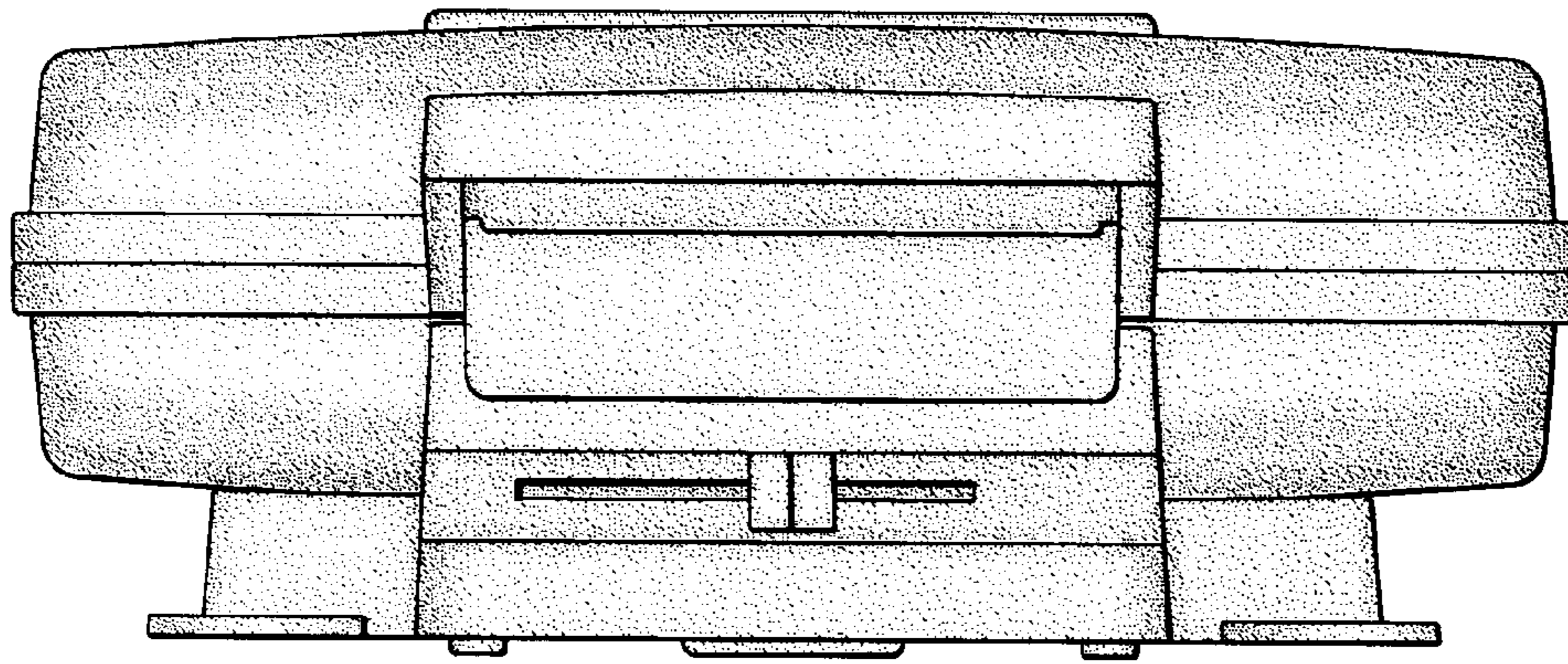




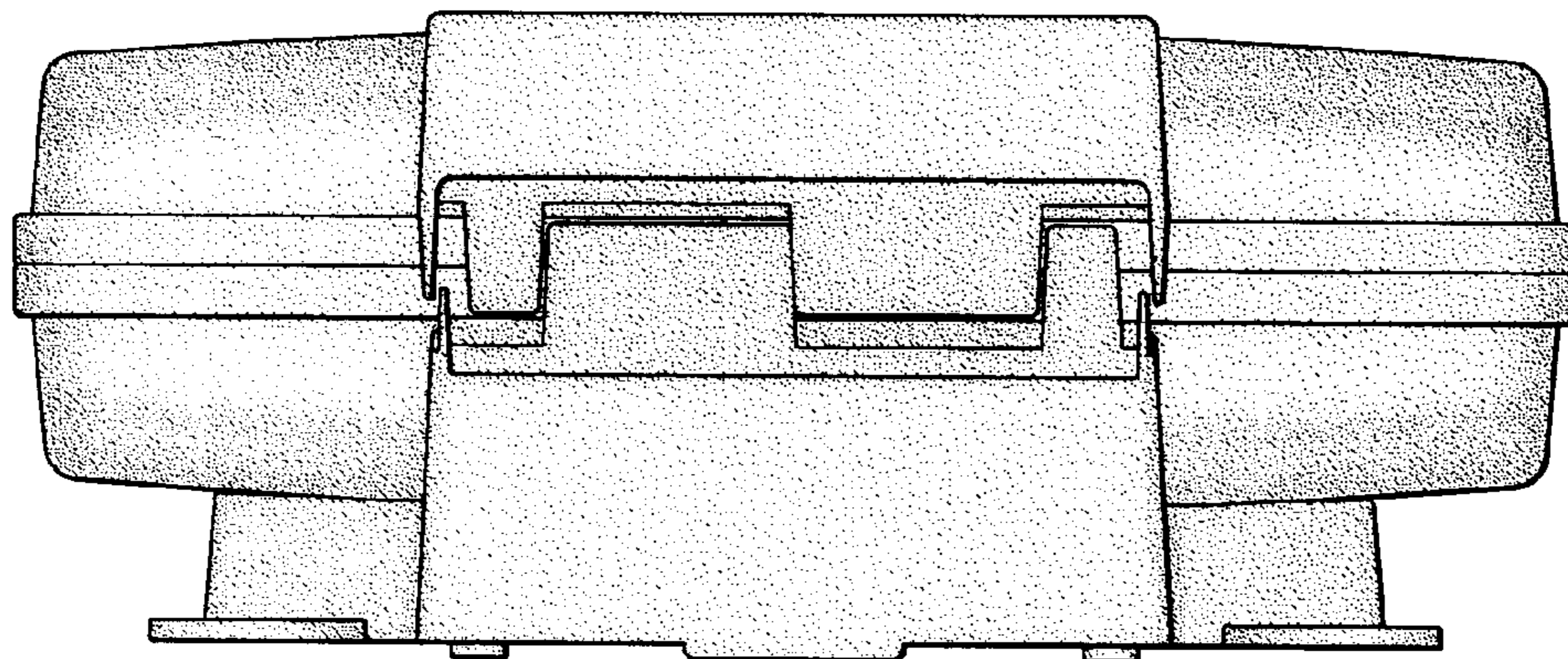
**FIG. 1**



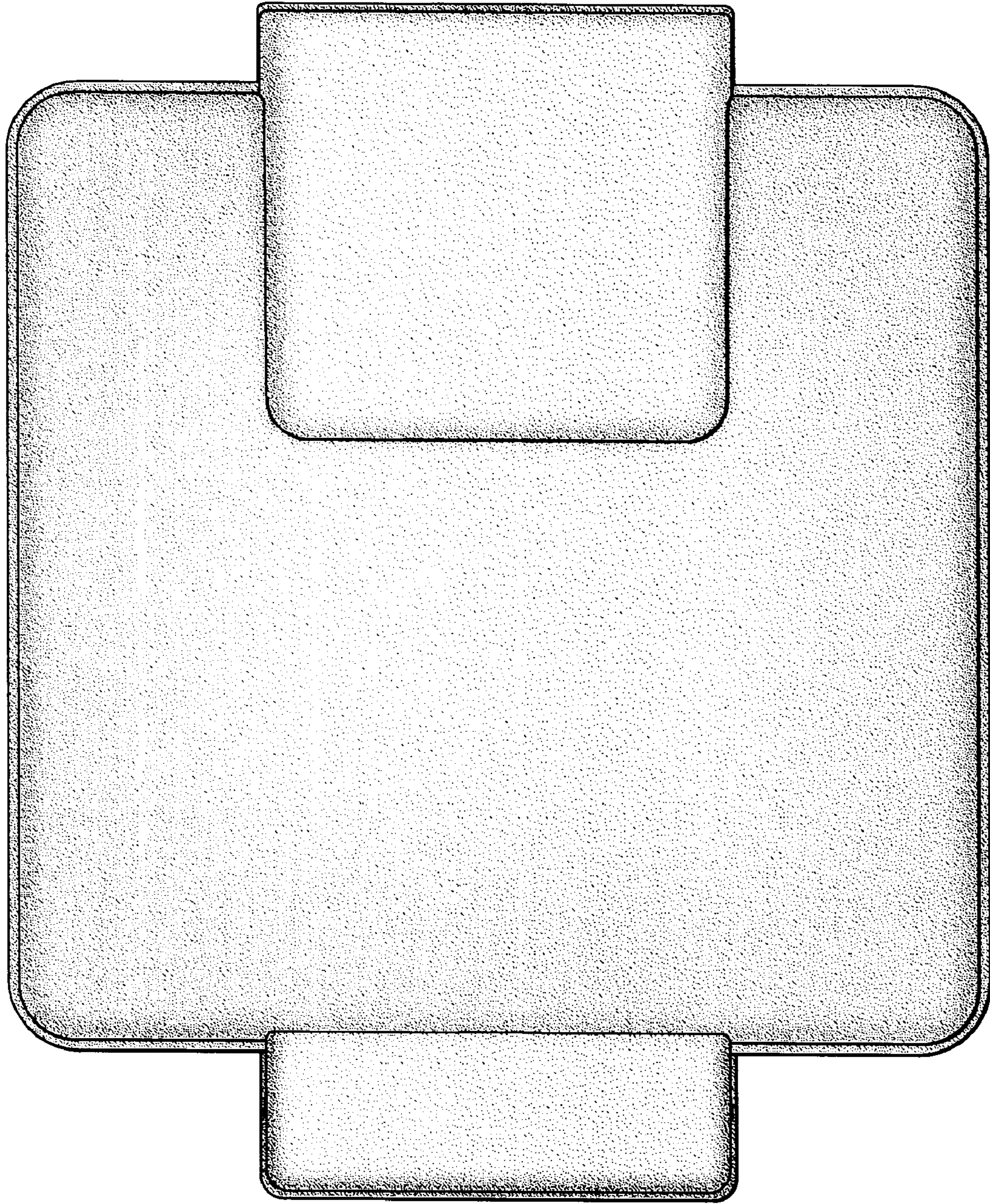
**FIG. 2**



**FIG. 3**



**FIG. 4**



**FIG. 5**