



US00D466360S

(12) **United States Design Patent**
Favela

(10) **Patent No.:** **US D466,360 S**

(45) **Date of Patent:** **** Dec. 3, 2002**

(54) **BARBECUE GRILL**

(76) Inventor: **Manuel Favela**, 1455 E. Francis St.,
Ontario, CA (US) 91761

(**) Term: **14 Years**

(21) Appl. No.: **29/151,336**

(22) Filed: **Dec. 3, 2001**

(51) **LOC (7) Cl.** **07-02**

(52) **U.S. Cl.** **D7/334**

(58) **Field of Search** D7/332-337, 402,
D7/403, 404; D21/707, 709, 712-714; 126/25 R,
25 A, 25 AA, 41 R; 99/419

(56) **References Cited**

U.S. PATENT DOCUMENTS

3,624,939 A	*	12/1971	Gossard	40/721
3,785,275 A	*	1/1974	Keats et al.	99/446
D394,884 S	*	6/1998	Paolucci	D21/372
D409,443 S	*	5/1999	Clark et al.	D7/515
D413,598 S	*	9/1999	Cheung	D14/156

D415,929 S	*	11/1999	D'Arrigo	D7/515
D418,004 S	*	12/1999	Taylor, Jr.	D7/332
D420,861 S	*	2/2000	Hansen	D7/606
D431,155 S	*	9/2000	Cragg	D7/402

* cited by examiner

Primary Examiner—Ruth McInroy

(74) *Attorney, Agent, or Firm*—Stout, Uxa, Buyan &
Mullins, LLP; Donald E. Stout

(57) **CLAIM**

The ornamental design for a barbecue grill, as shown.

DESCRIPTION

FIG. 1 is a top plan view of a barbecue grill showing my new design;

FIG. 2 is a bottom plan view of the barbecue grill;

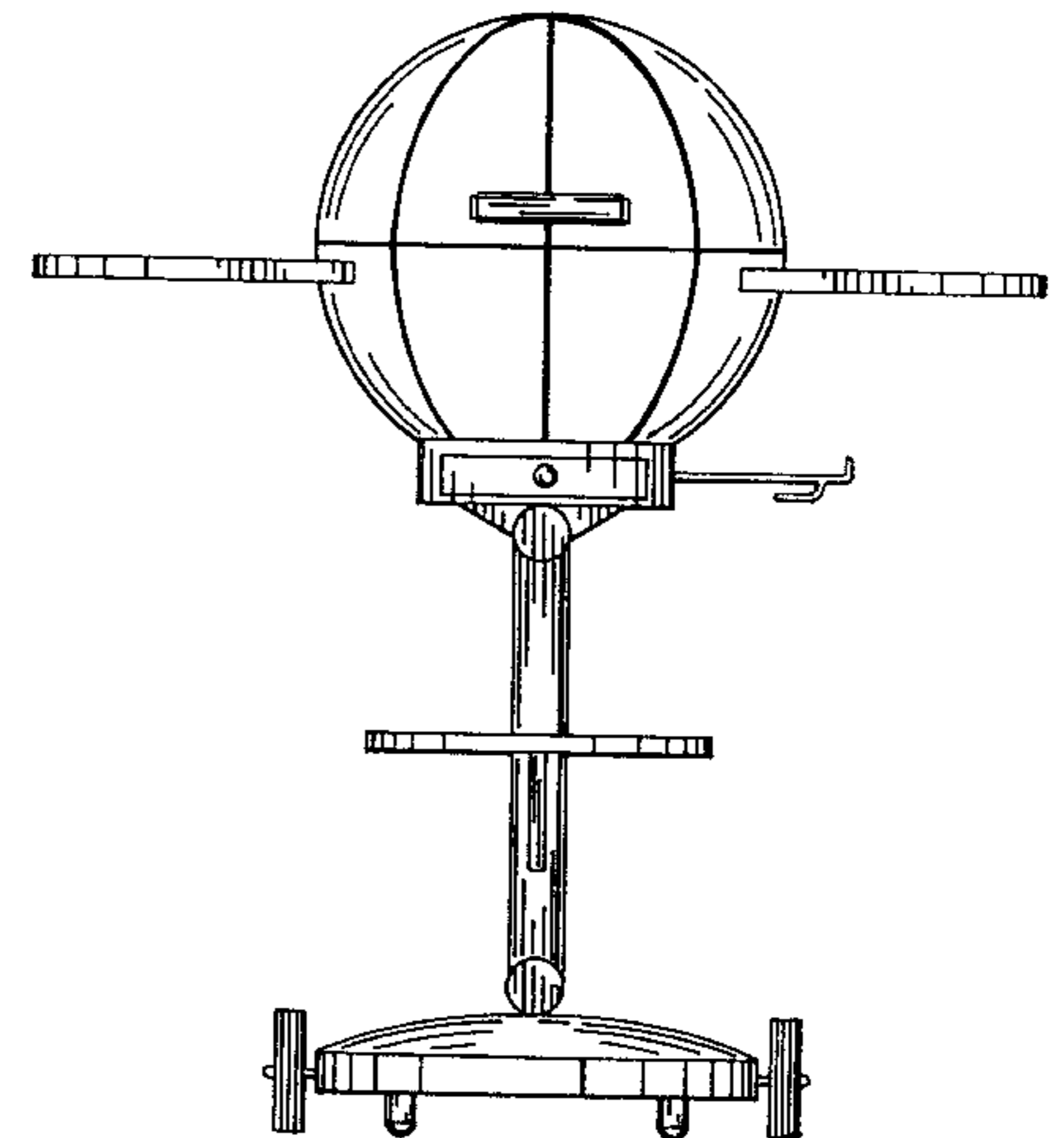
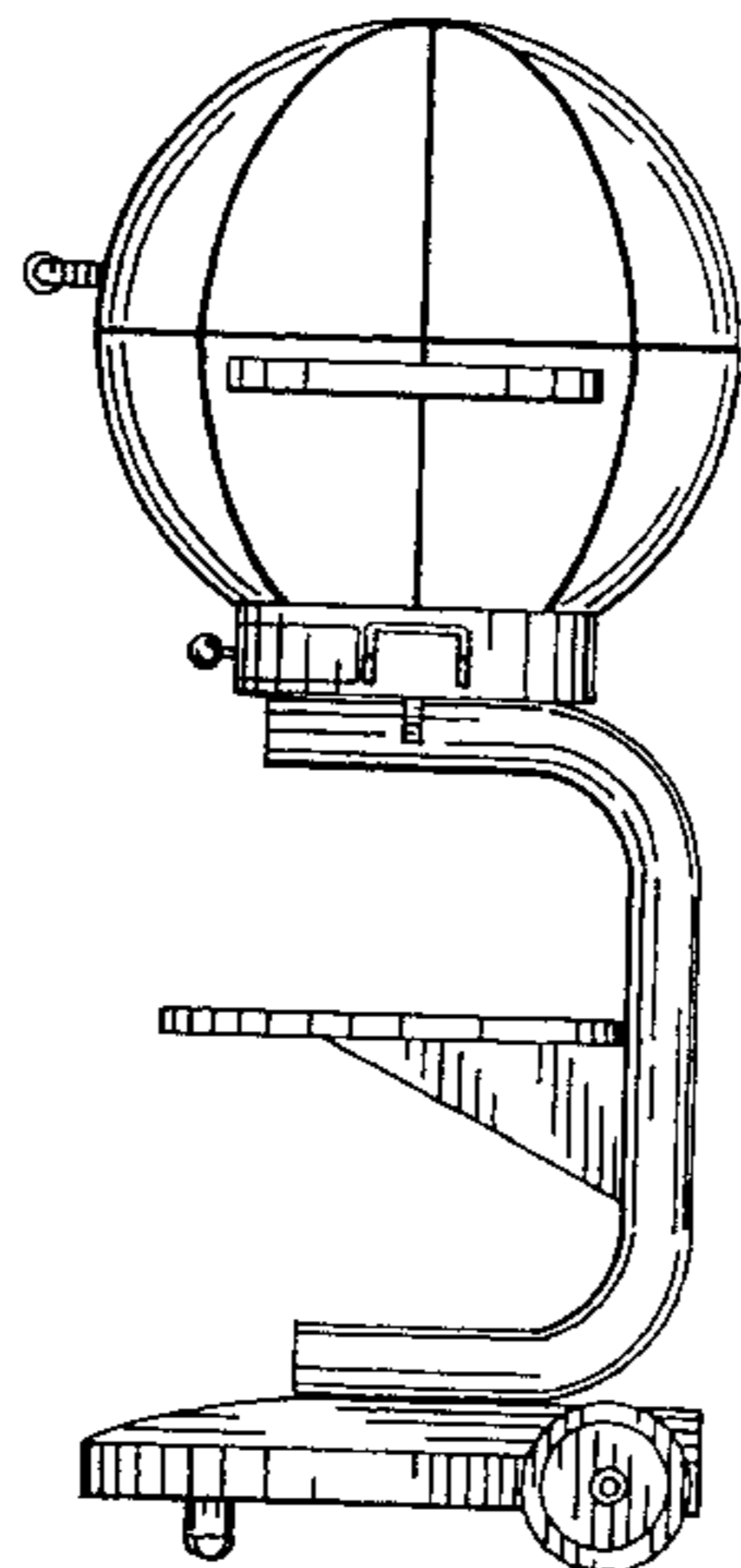
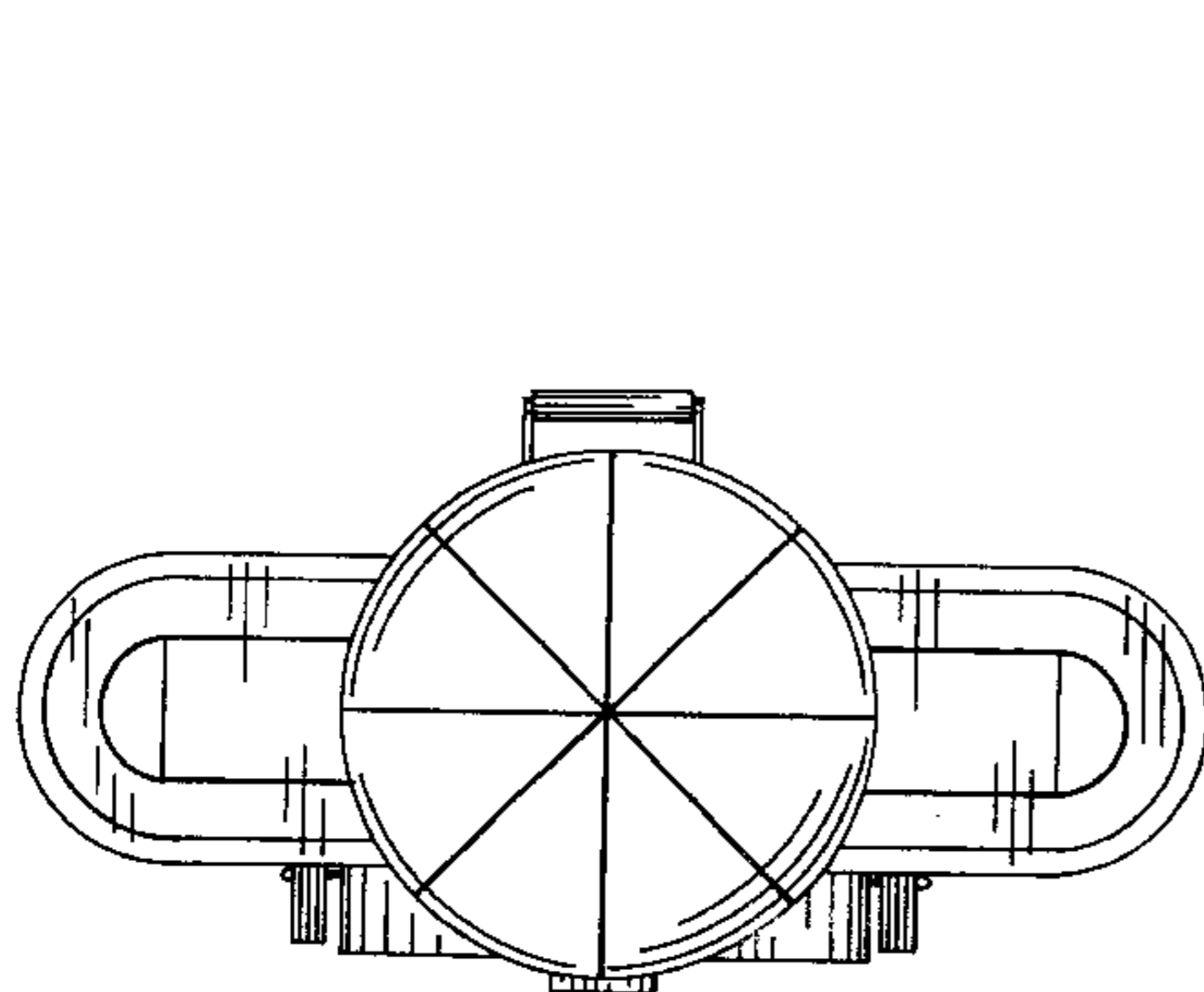
FIG. 3 is a left elevation of the barbecue grill;

FIG. 4 is a right elevation of the barbecue grill;

FIG. 5 is a front elevation of the barbecue grill; and,

FIG. 6 is a rear elevation of the barbecue grill.

1 Claim, 3 Drawing Sheets



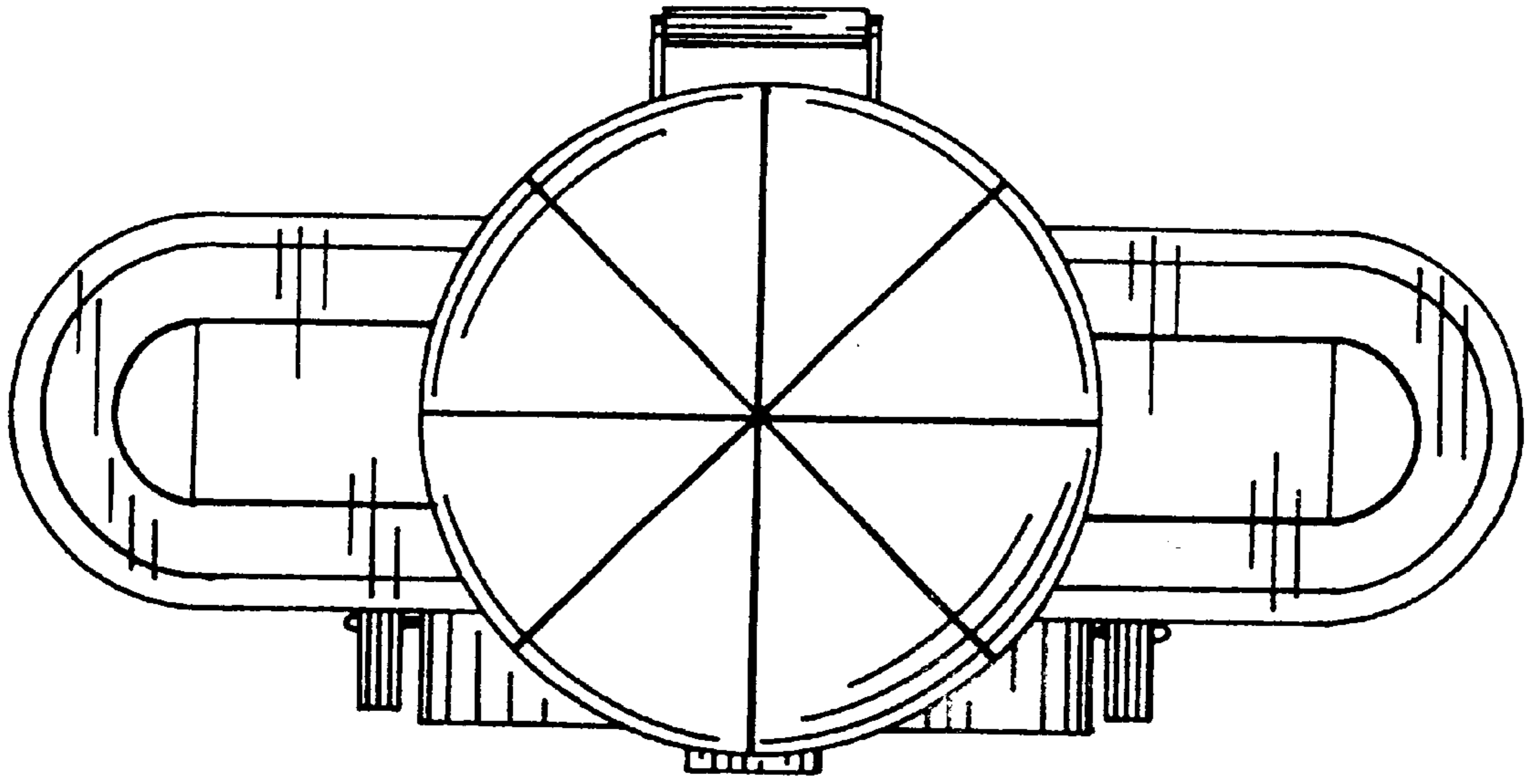


FIG. 1

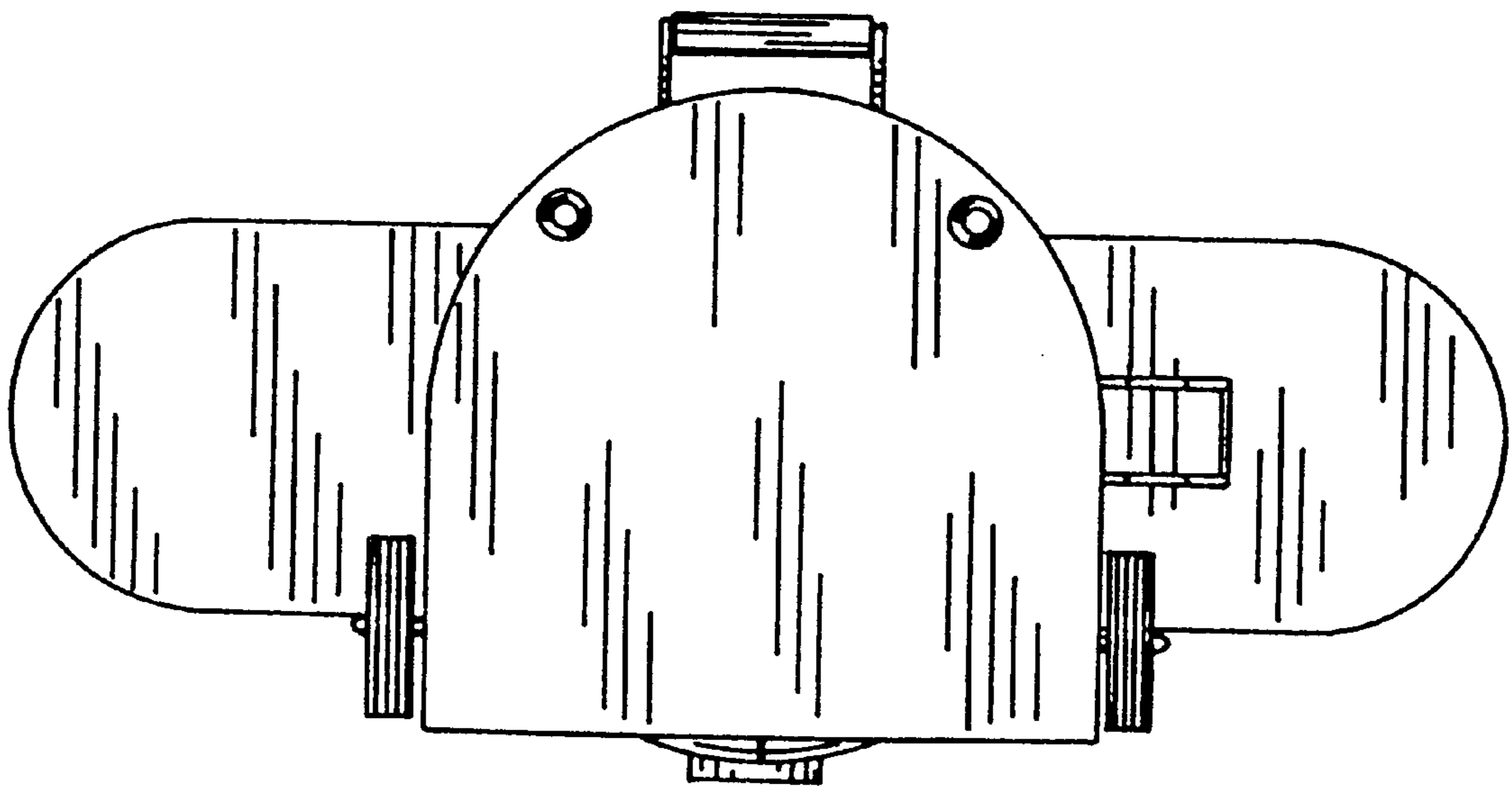


FIG. 2

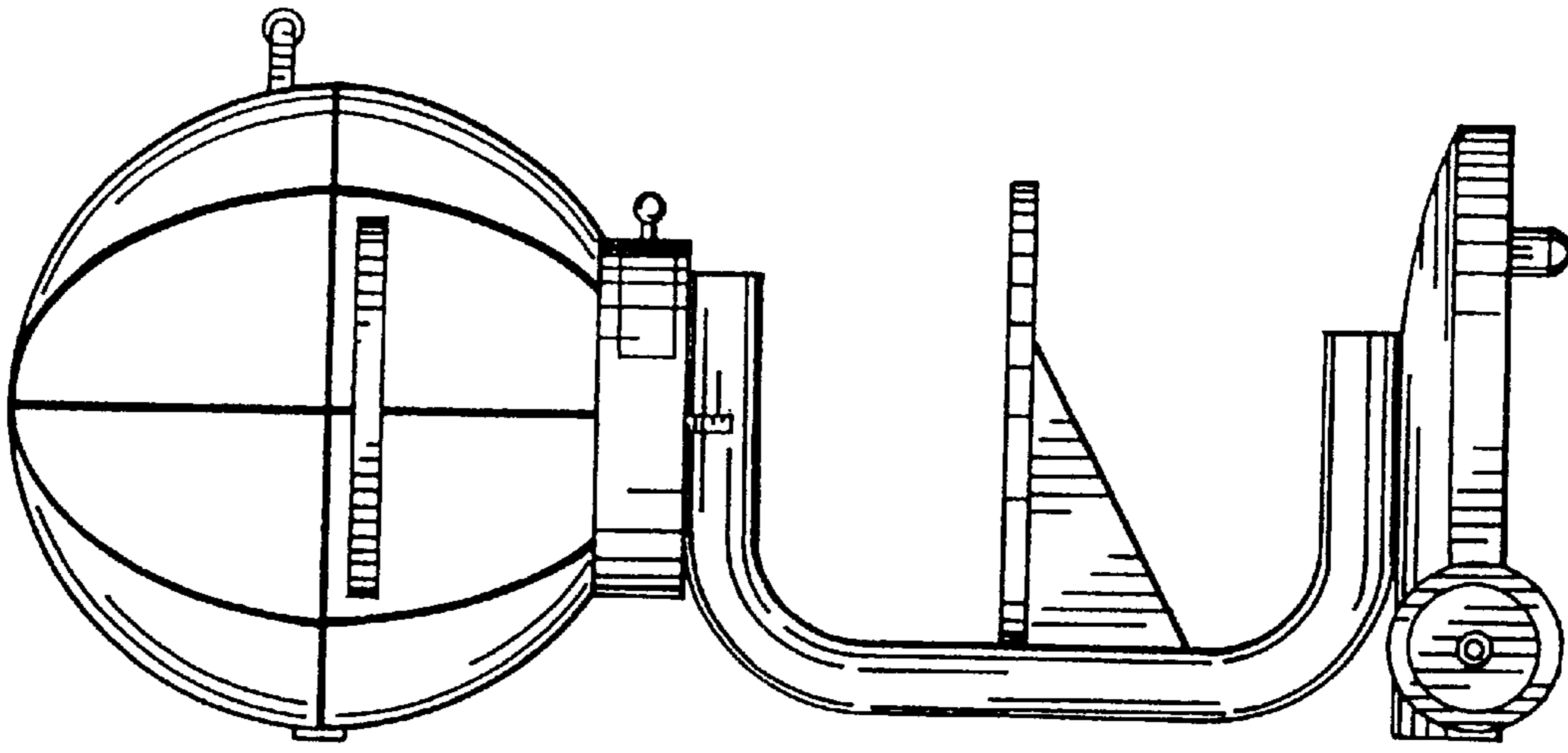


FIG. 3

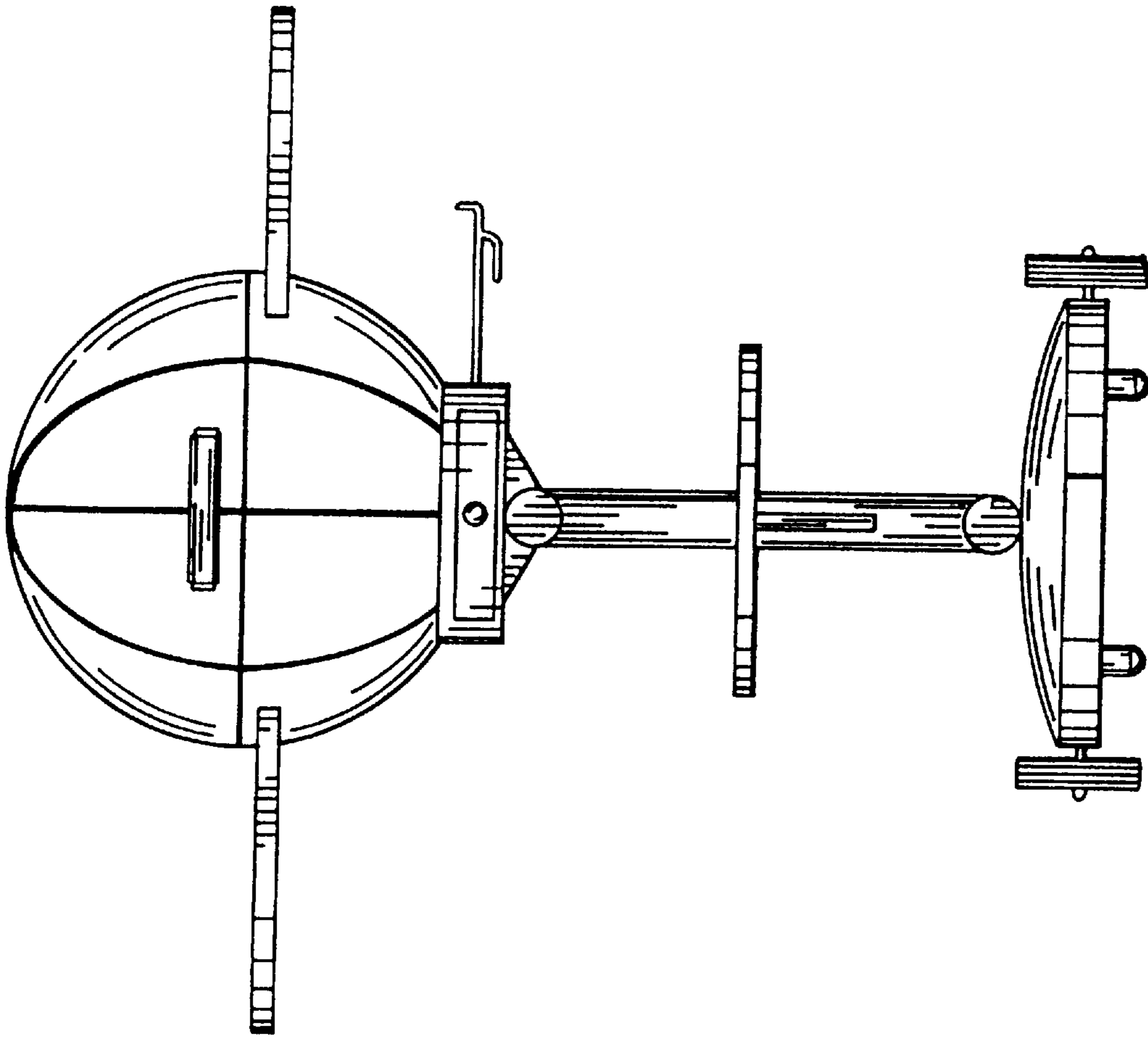


FIG. 5

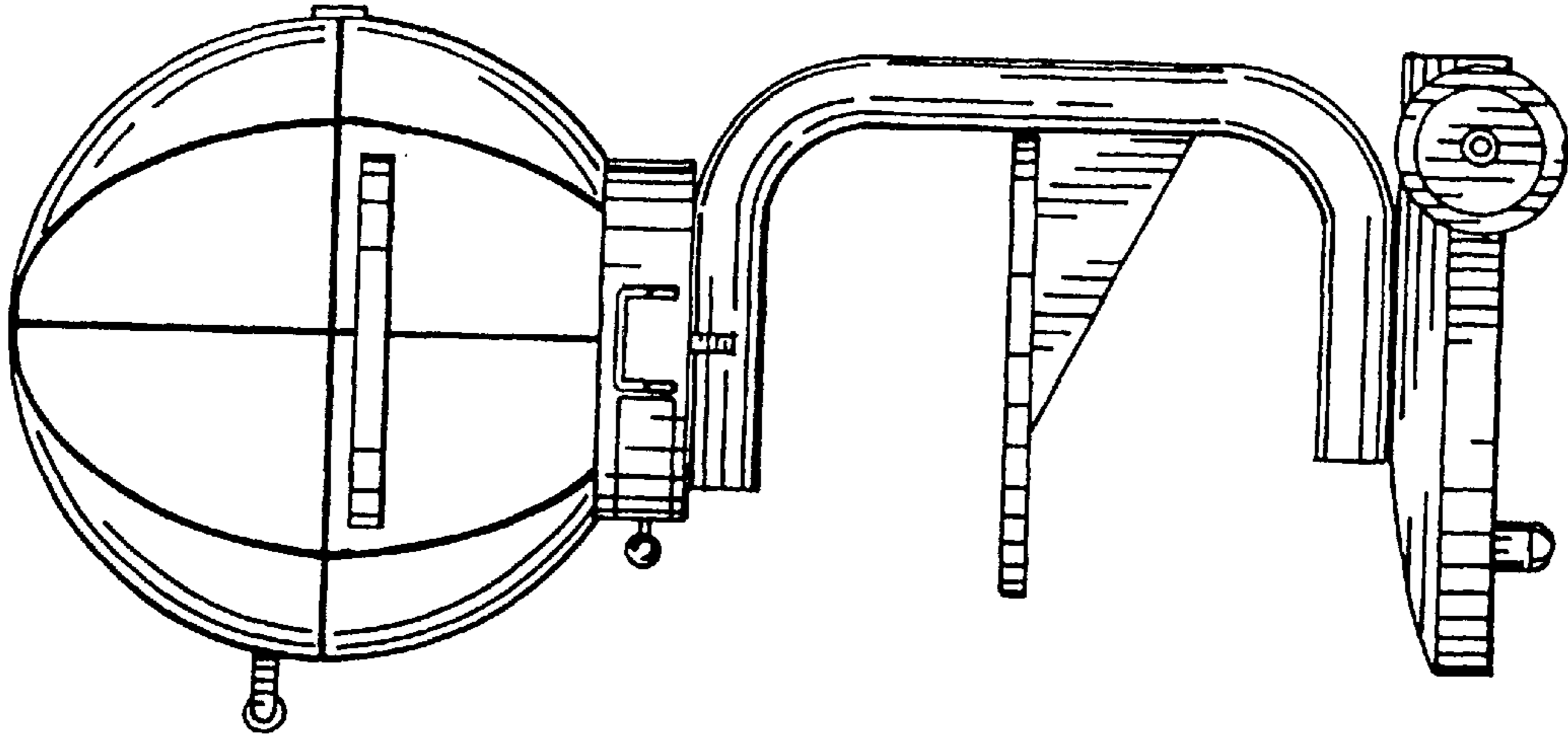


FIG. 4

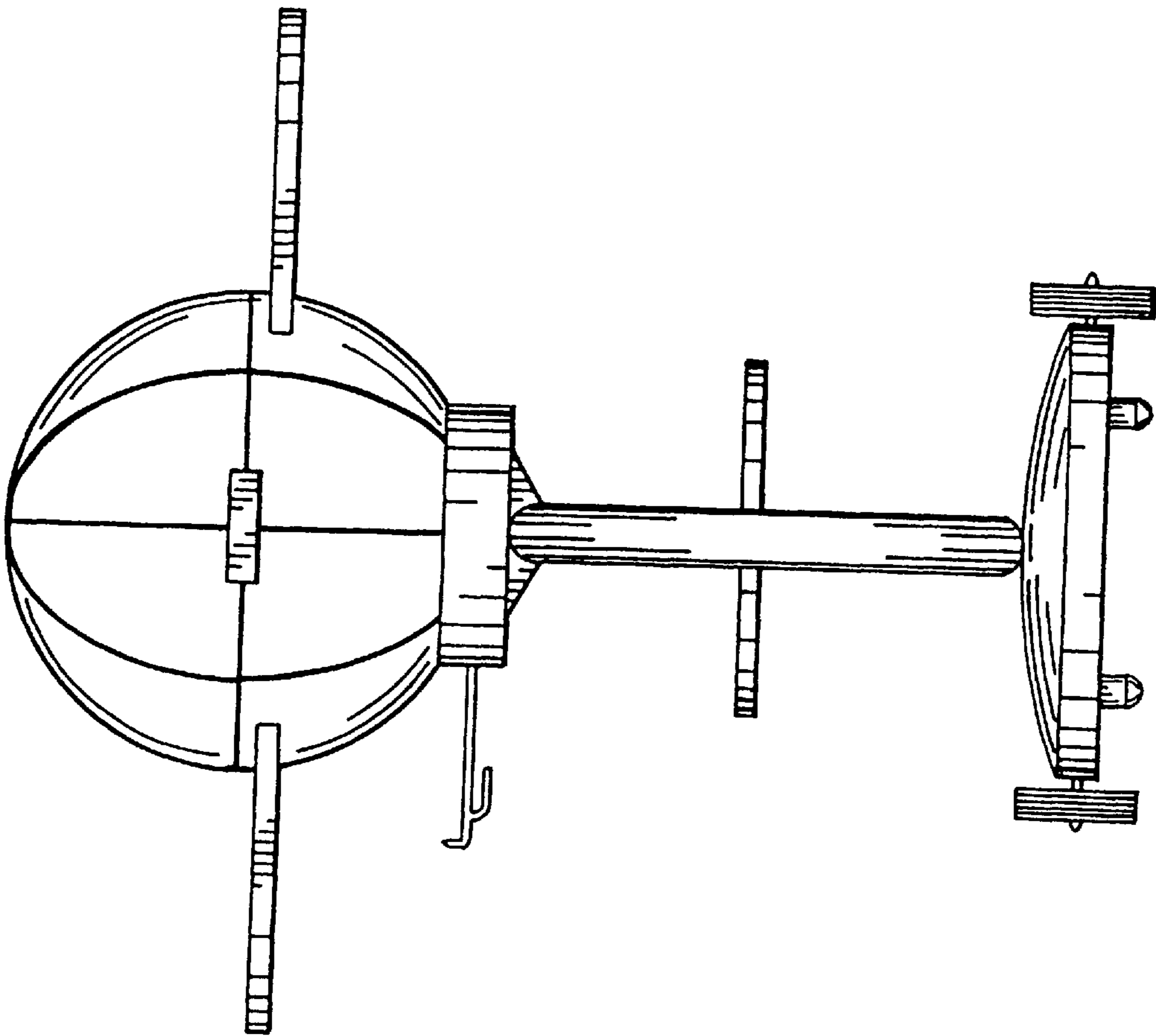


FIG. 6