



US00D466359S

(12) **United States Design Patent**
Bossler et al.

(10) **Patent No.:** **US D466,359 S**

(45) **Date of Patent:** **** Dec. 3, 2002**

(54) **COMBINED SPHERICAL GAS BARBECUE GRILL AND CART**

(75) Inventors: **Martin C. Bossler**, Spring Grove, IL (US); **Lucas Pai**, Taichung (TW)

(73) Assignee: **Uniflame Corporation**, Zion, IL (US)

(**) Term: **14 Years**

(21) Appl. No.: **29/150,691**

(22) Filed: **Nov. 27, 2001**

(51) **LOC (7) Cl.** **07-02**

(52) **U.S. Cl.** **D7/334**

(58) **Field of Search** D7/332-337, 402, D7/403, 404; 126/25 R, 25 A, 25 AA, 41 R, 29-30, 9 R; 99/419

(56) **References Cited**

U.S. PATENT DOCUMENTS

D322,909 S	*	1/1992	Parent et al.	D7/334
D325,316 S	*	4/1992	Parent et al.	D7/334
D351,308 S	*	10/1994	Pai	D7/334
D358,059 S	*	5/1995	Peterson et al.	D7/334
D361,466 S	*	8/1995	Peterson et al.	D7/334
D426,741 S	*	6/2000	Pai	D7/334

D439,109 S	*	3/2001	Pai	D7/402
D441,254 S	*	5/2001	Pai	D7/403
D454,276 S	*	3/2002	Pai	D7/334
D455,039 S	*	4/2002	Pai	D7/334

* cited by examiner

Primary Examiner—Ruth McInroy

(74) *Attorney, Agent, or Firm*—Greer, Burns & Crain, Ltd.

(57) **CLAIM**

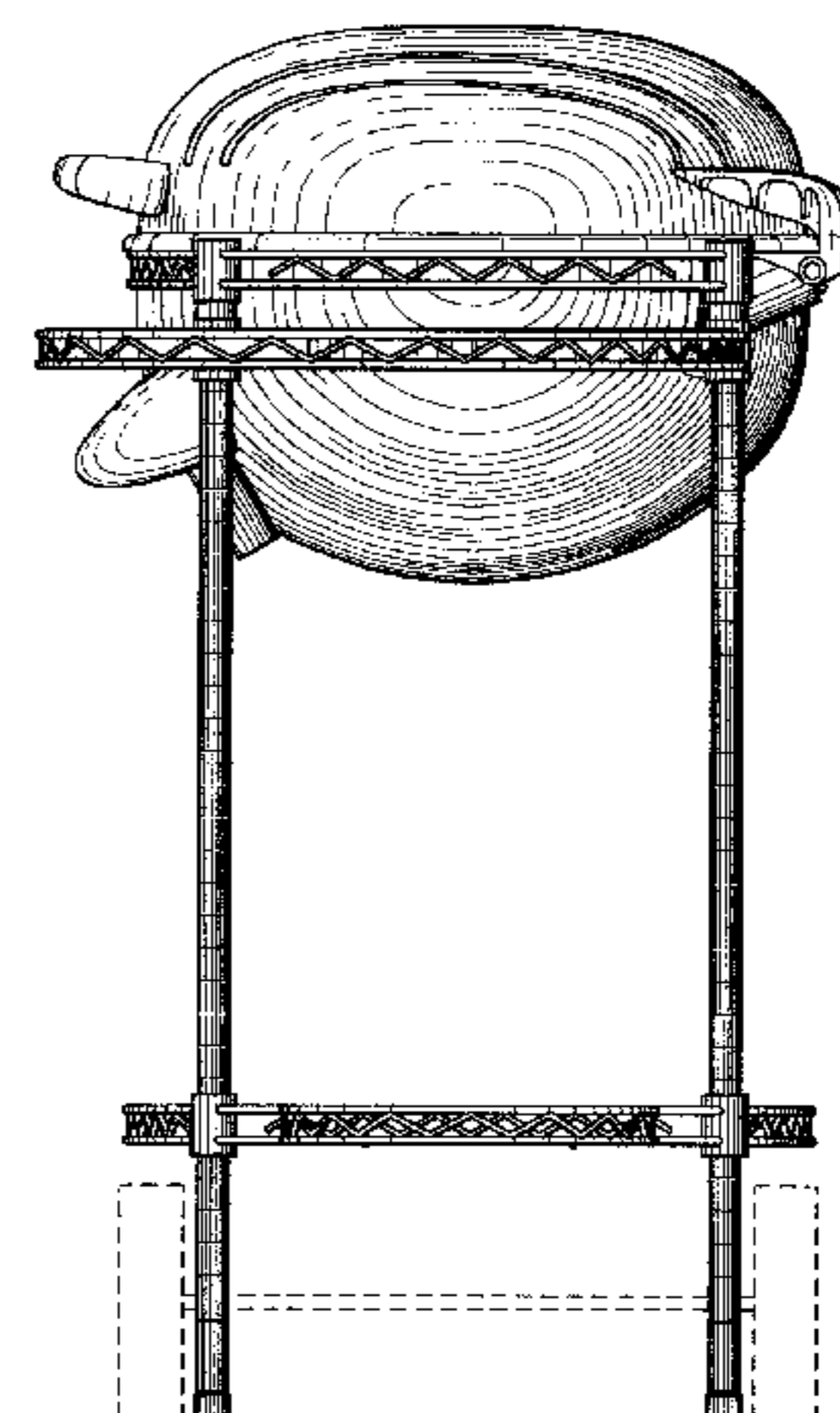
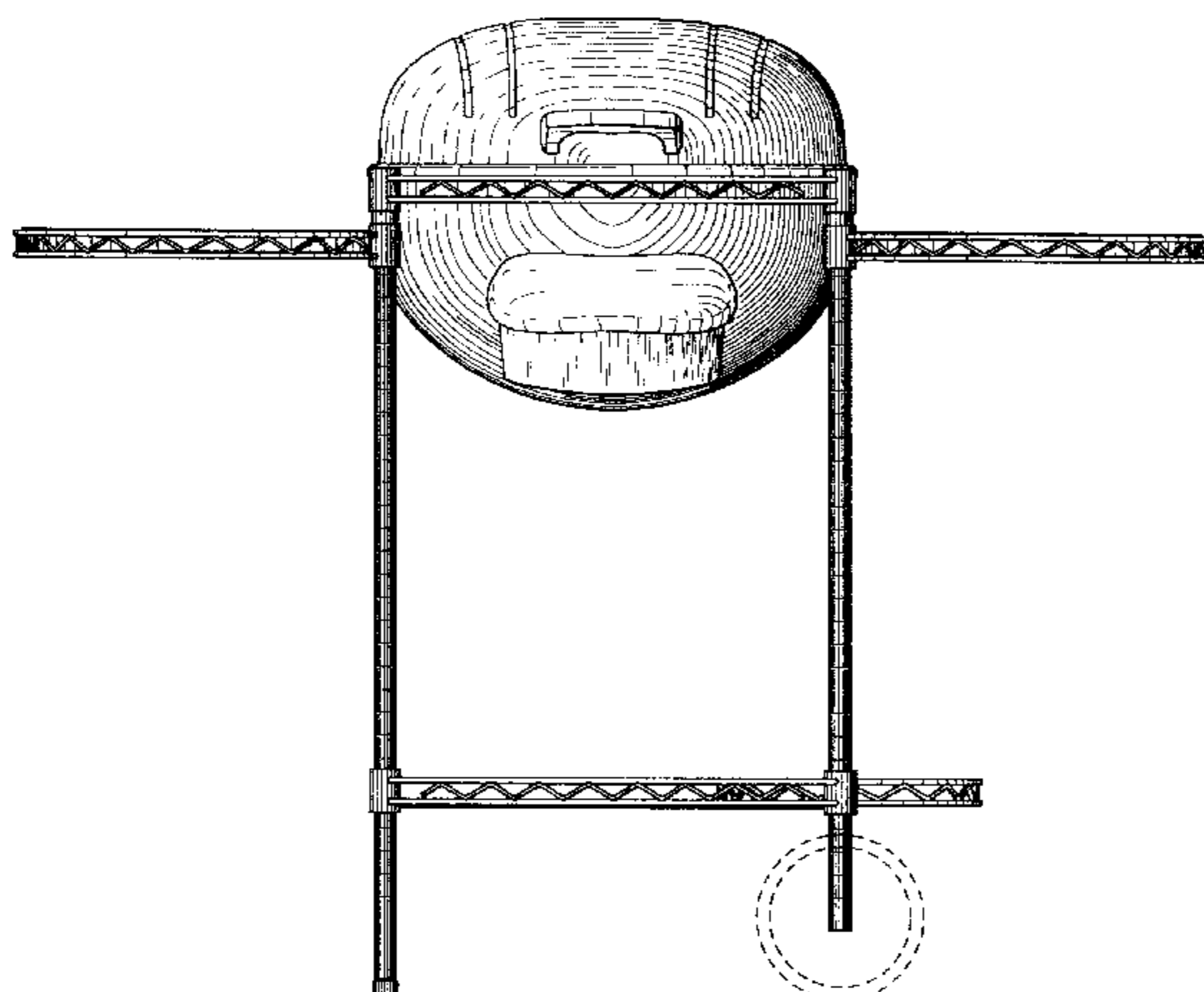
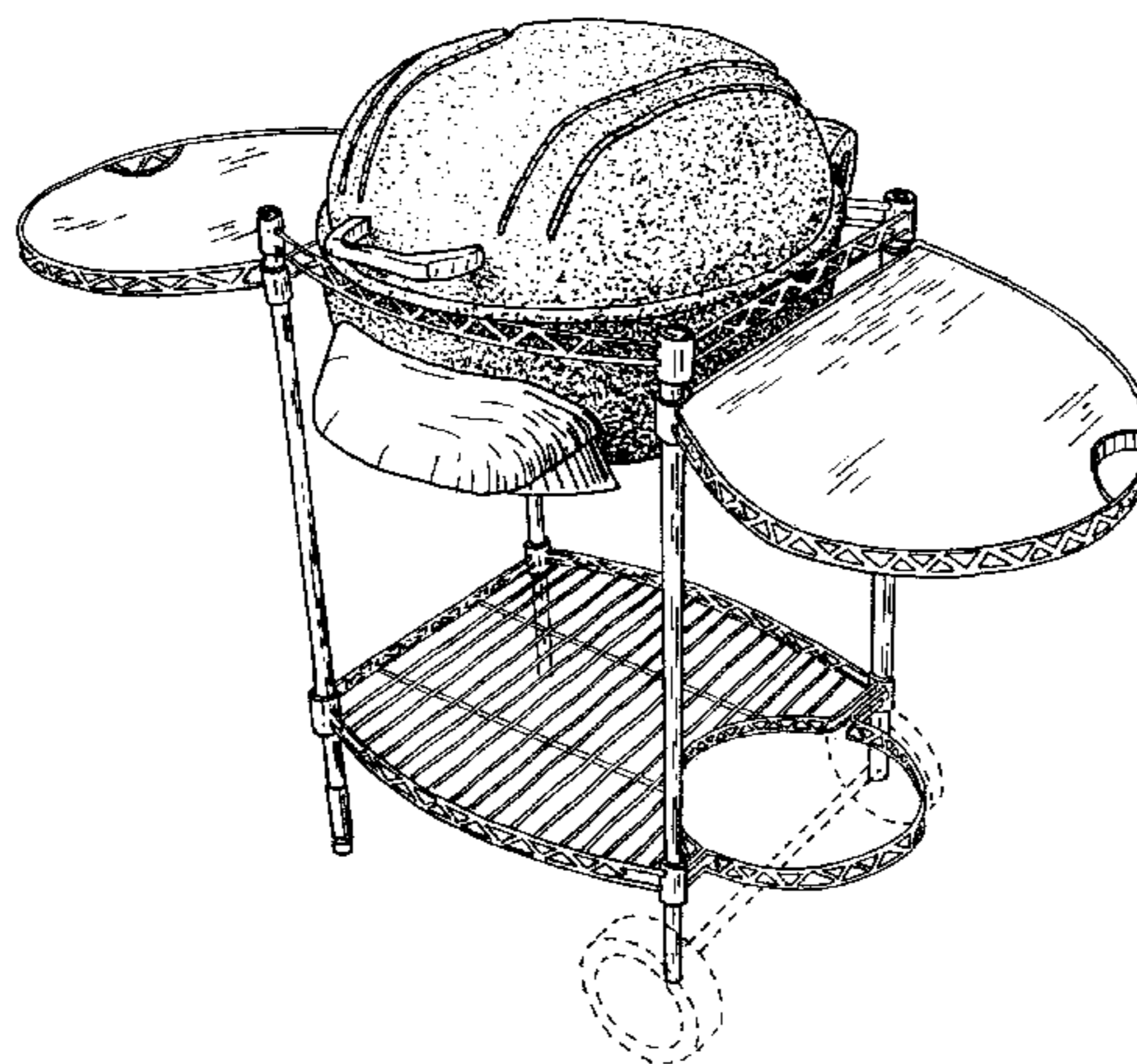
The ornamental design for a combined spherical gas barbecue grill and cart, as shown and described.

DESCRIPTION

FIG. 1 is a perspective view of a combined spherical gas barbecue grill and cart showing our new design; FIG. 2 is a front elevational view thereof; FIG. 3 is a left side elevational view thereof; FIG. 4 is a rear elevational view thereof; FIG. 5 is a right side elevational view thereof; FIG. 6 is a top plan view thereof; and, FIG. 7 is a bottom plan view thereof.

The details shown in broken lines in all views are for illustrative purposes only and form no part of the claimed design.

1 Claim, 3 Drawing Sheets



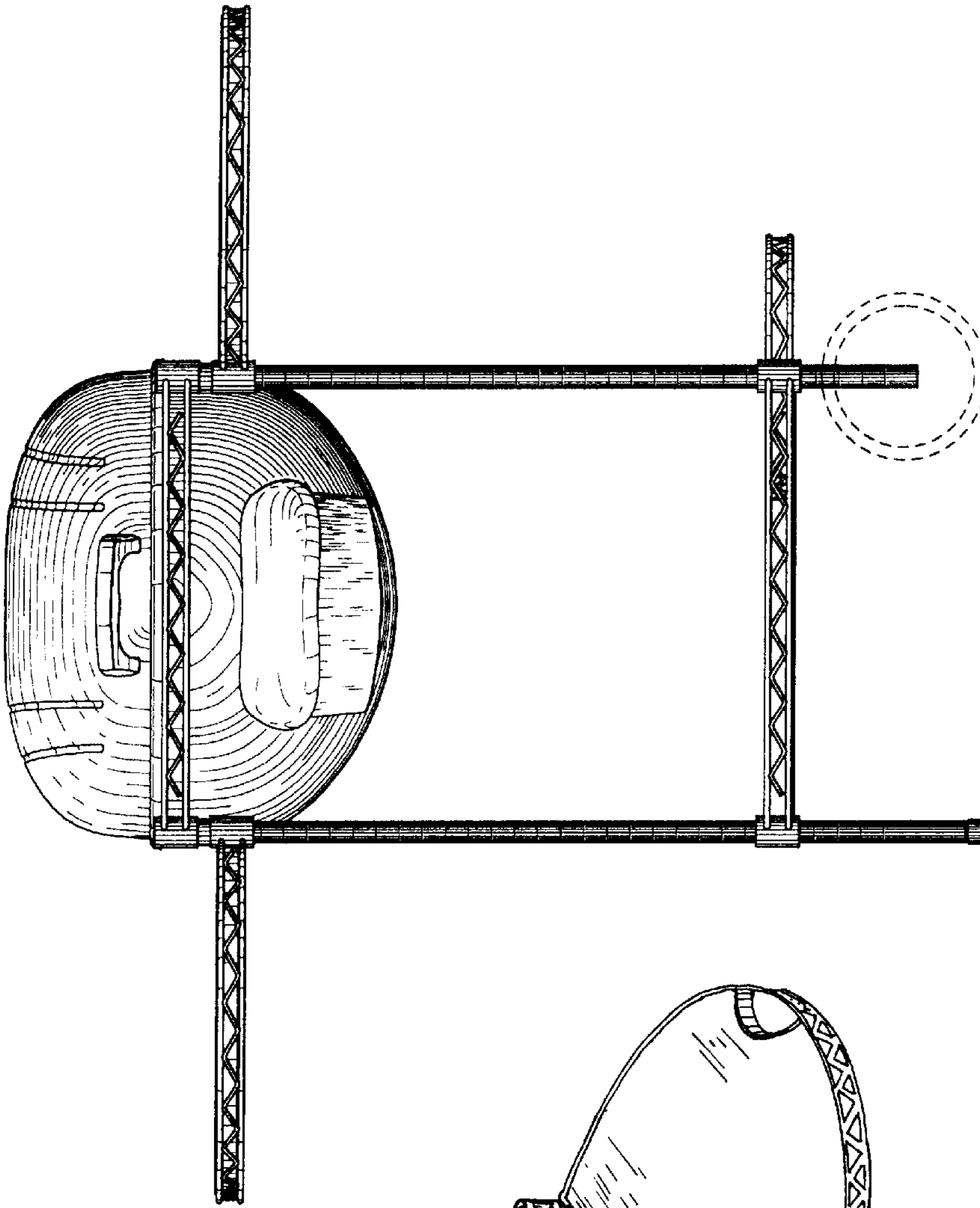


Fig. 2

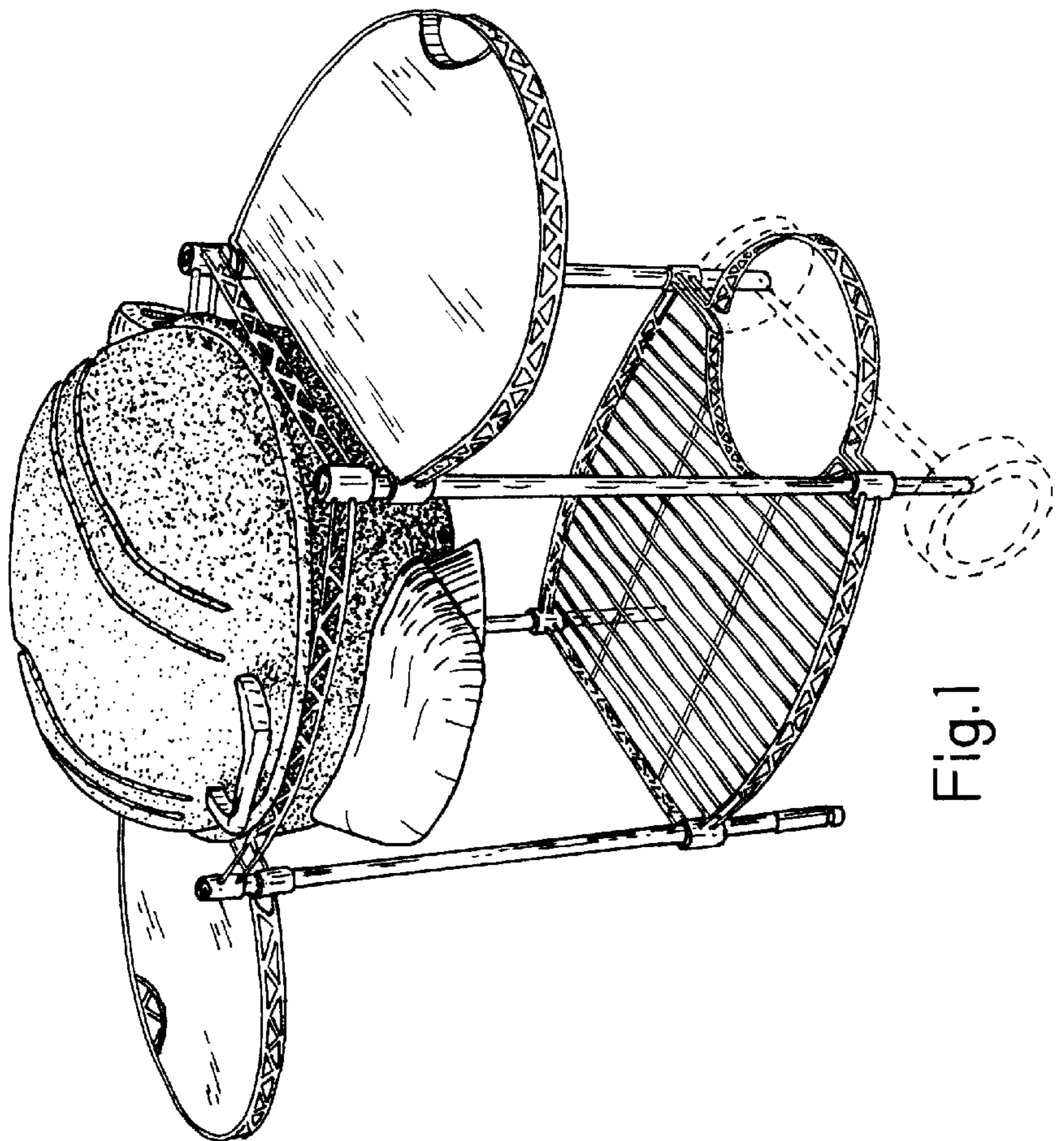


Fig. 1

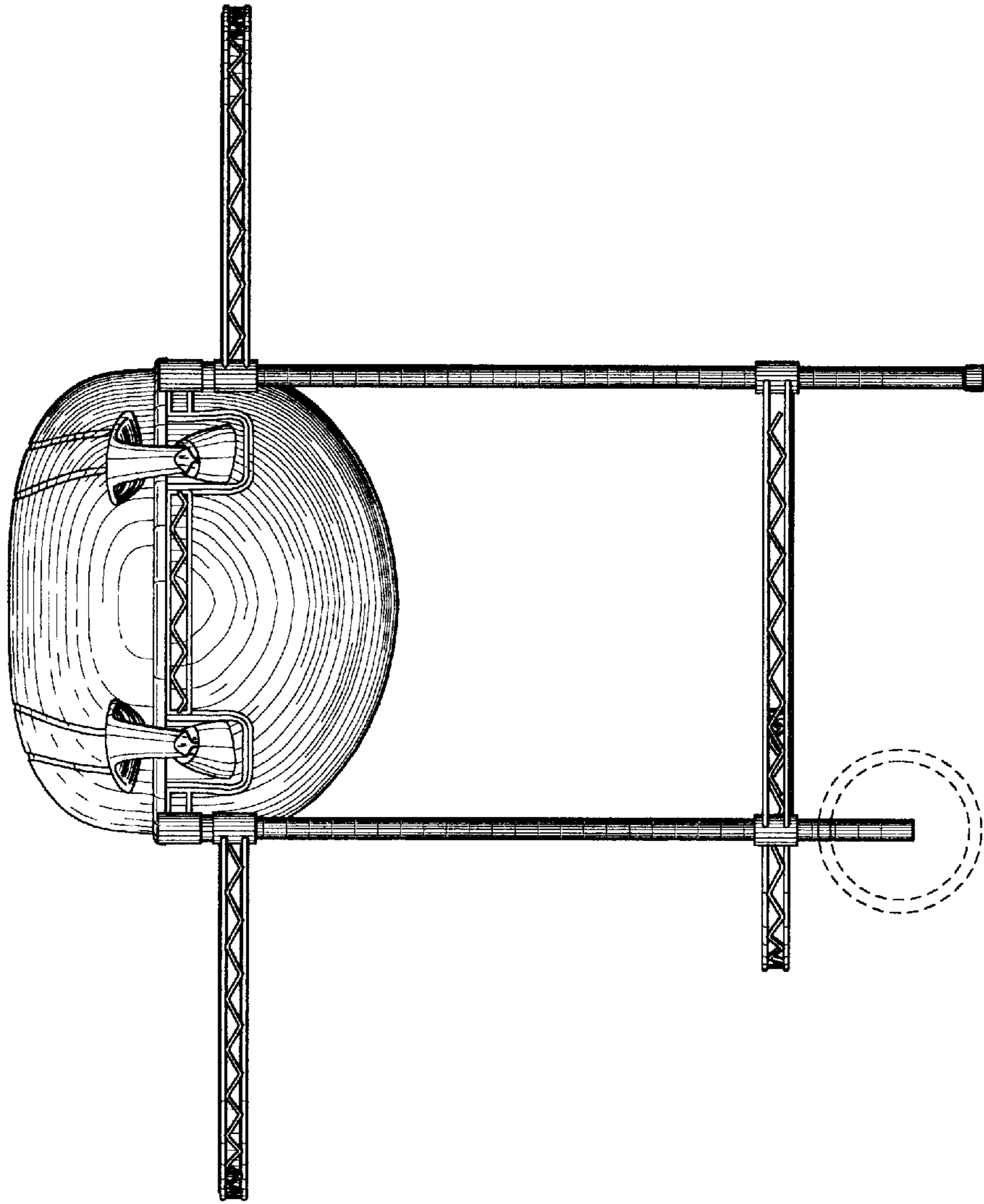


Fig.4

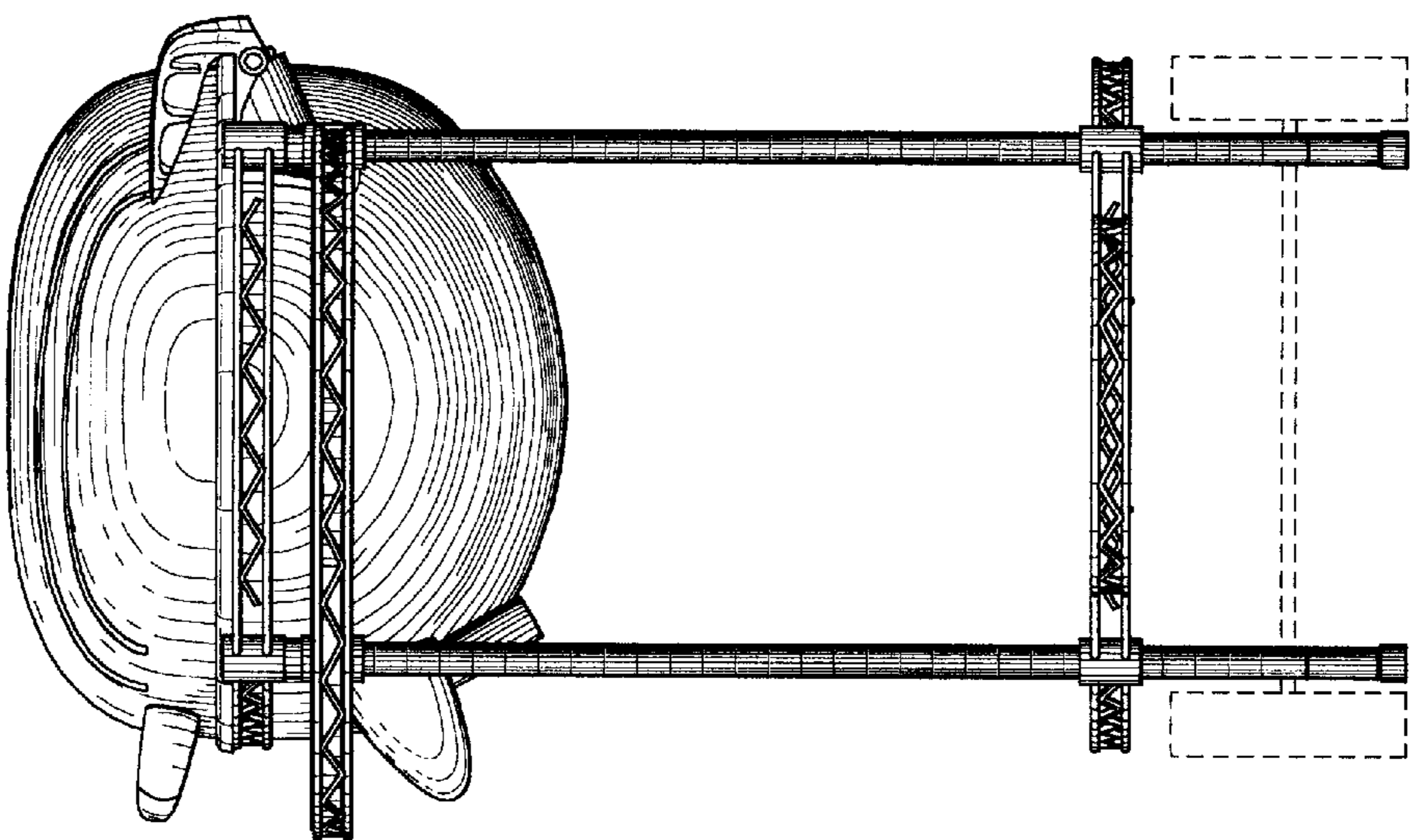


Fig.3

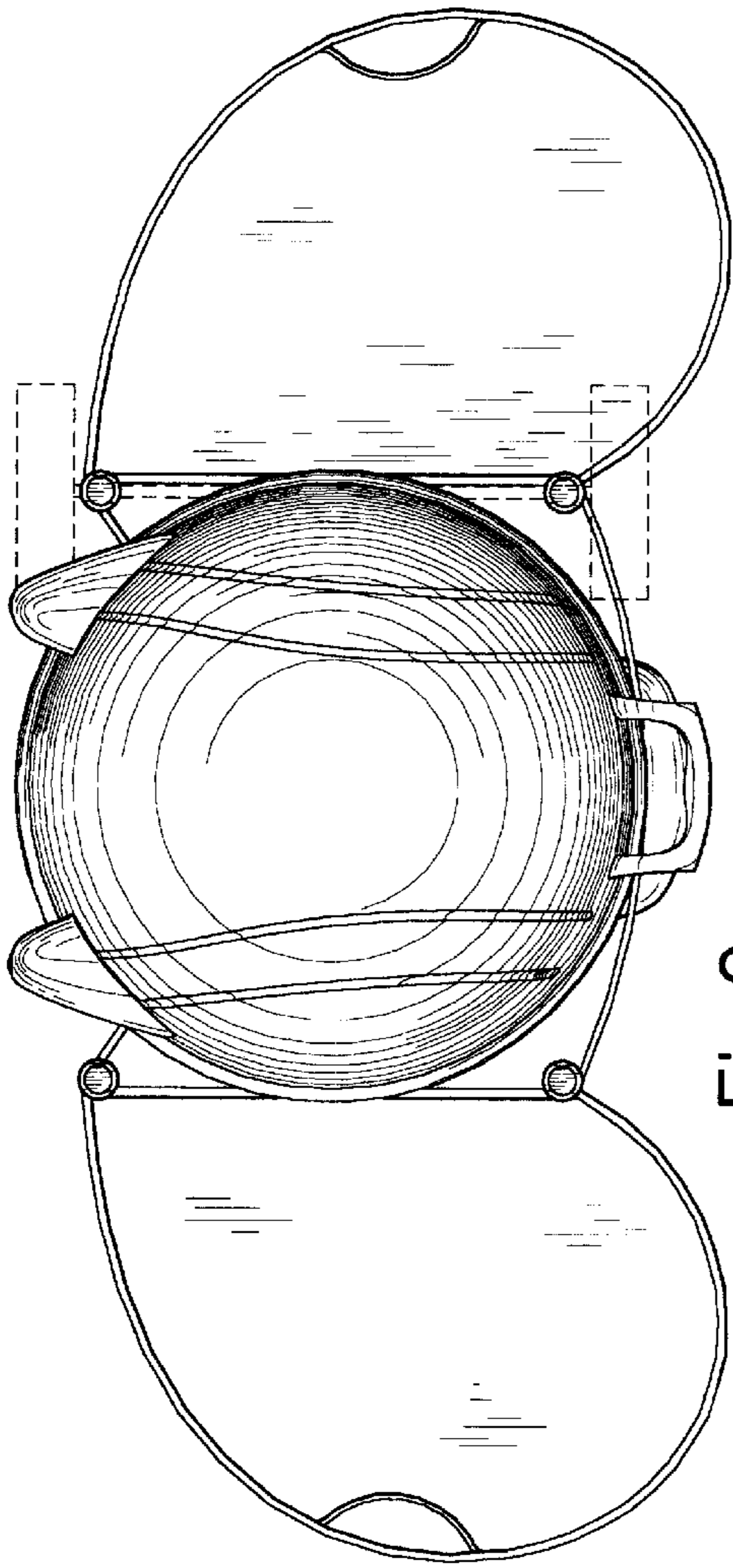


Fig. 6

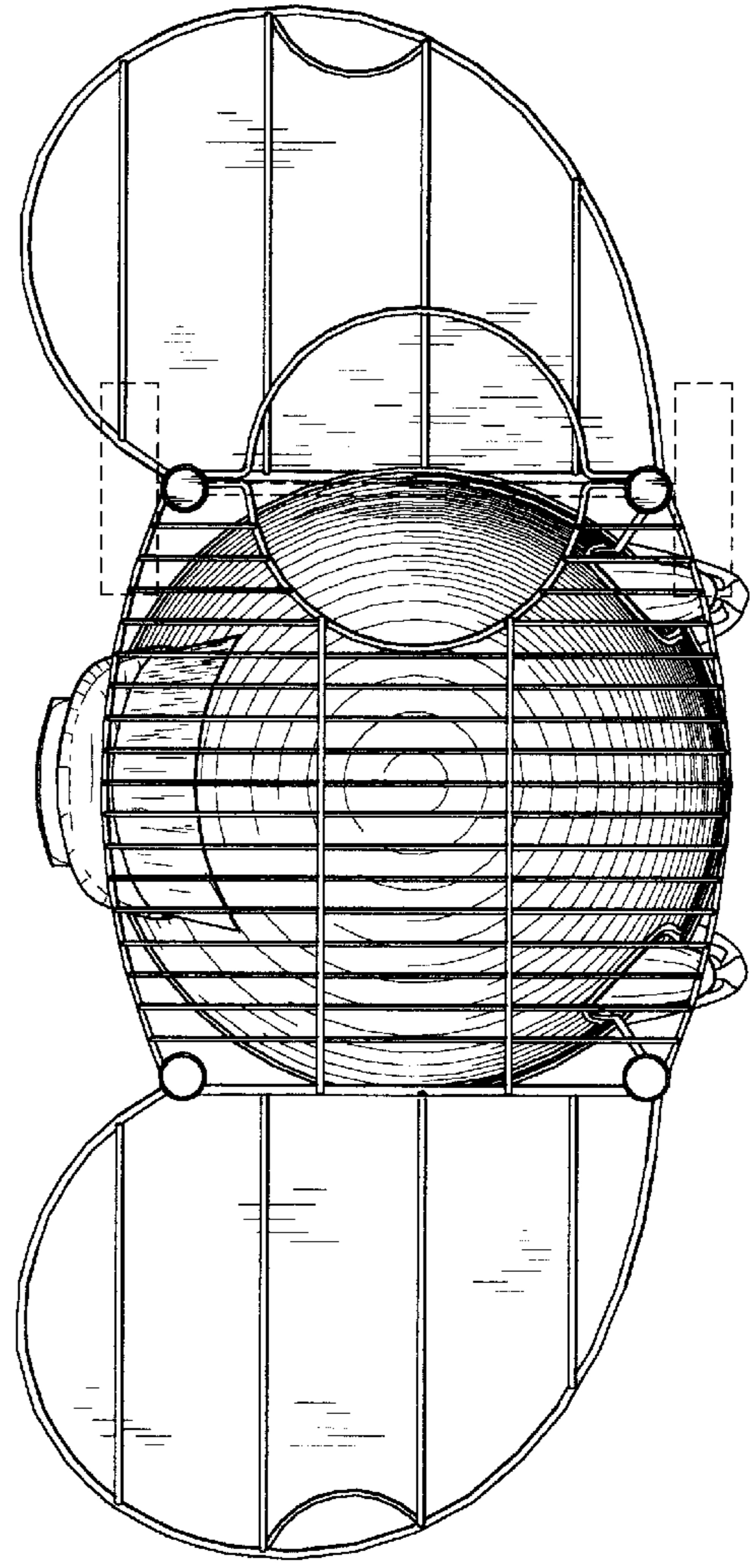


Fig. 7

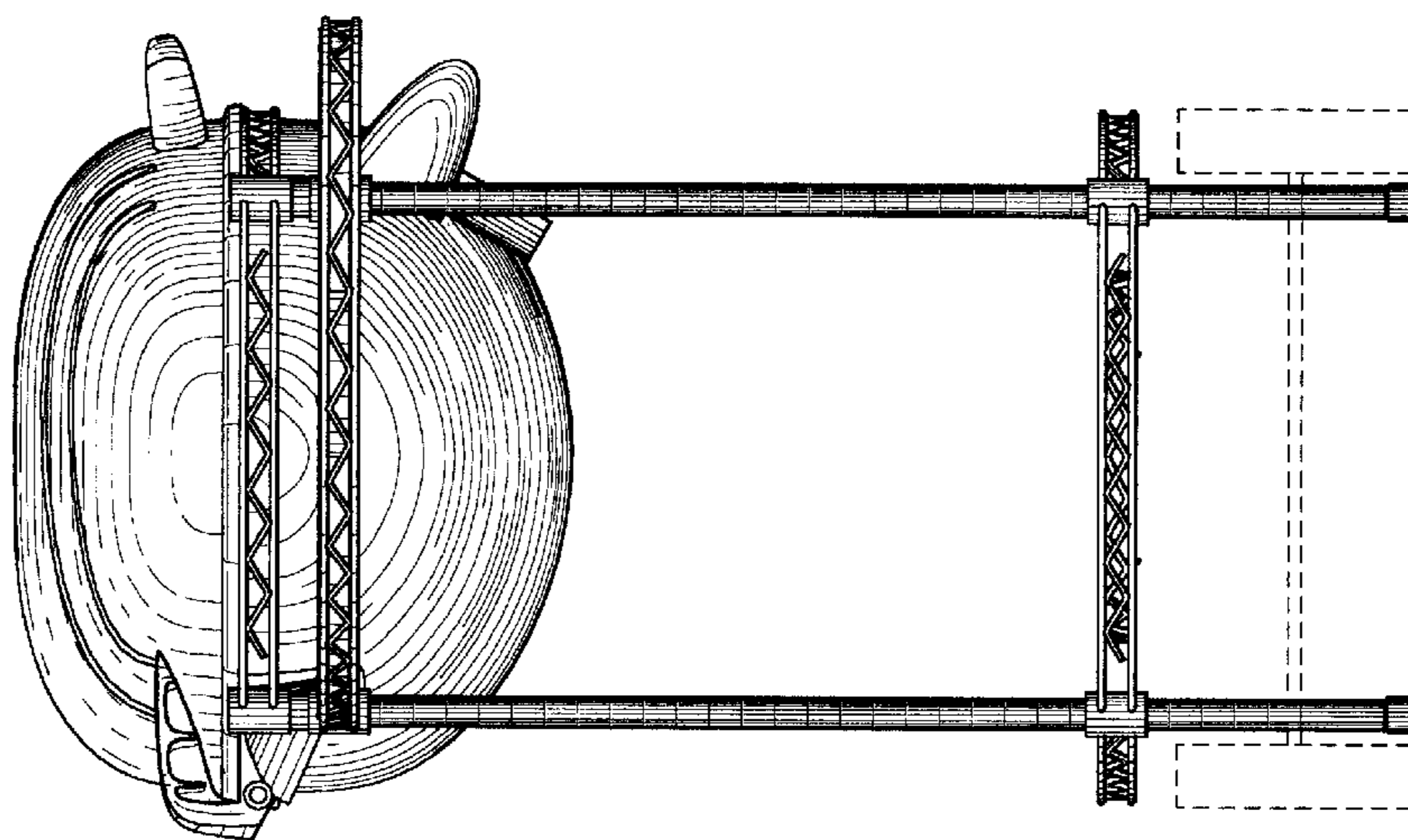


Fig. 5