



US00D466358S

(12) **United States Design Patent**
Eisinger et al.

(10) **Patent No.:** **US D466,358 S**

(45) **Date of Patent:** **** Dec. 3, 2002**

(54) **CHARCOAL GRILL**

(75) Inventors: **John E. Eisinger**, Chicago, IL (US);
Mike Nipke, Grandville, MI (US)

(73) Assignee: **Marshall Associates Inc.**, Chicago, IL (US)

(**) Term: **14 Years**

(21) Appl. No.: **29/143,625**

(22) Filed: **Jun. 15, 2001**

(51) **LOC (7) Cl.** **07-02**

(52) **U.S. Cl.** **D7/334**

(58) **Field of Search** D7/332, 334-337,
D7/402-404; 126/25 R, 25 A, 25 AA, 9 R,
9 B, 29-30, 41 R; 99/421 R, 444

(56) **References Cited**

U.S. PATENT DOCUMENTS

| | | | | | |
|-------------|---|---------|-------------------|-------|----------|
| D188,879 S | * | 9/1960 | Gauss et al. | | D7/334 |
| D231,070 S | * | 4/1974 | Koziol | | D7/332 |
| D231,892 S | * | 6/1974 | Warshauer | | D7/365 |
| D252,248 S | * | 7/1979 | Huff | | D7/334 |
| D270,988 S | * | 10/1983 | Anderson | | D7/337 |
| 4,463,746 A | | 8/1984 | Knuth et al. | | 126/25 R |
| D282,619 S | * | 2/1986 | Fitzgerald et al. | | D7/332 |
| 4,683,866 A | | 8/1987 | Bales et al. | | 126/25 B |
| D302,641 S | * | 8/1989 | Elmburg | | D7/332 |
| 4,966,126 A | | 10/1990 | Wu | | 126/25 R |
| 5,036,832 A | | 8/1991 | Schlosser et al. | | 126/243 |
| 5,299,553 A | | 4/1994 | Giebel et al. | | 126/25 R |
| 5,394,590 A | * | 3/1995 | Yu | | 16/357 |
| 5,794,608 A | | 8/1998 | Von Berg | | 126/25 R |
| 5,865,099 A | | 2/1999 | Waugh | | 99/340 |

| | | | | | |
|-------------|---|---------|------------------|-------|---------|
| D414,980 S | * | 10/1999 | Pai | | D7/337 |
| D415,649 S | * | 10/1999 | Pai | | D7/337 |
| D415,925 S | * | 11/1999 | Pai | | D7/337 |
| D426,419 S | * | 6/2000 | Kuo | | D7/334 |
| D430,717 S | | 9/2000 | Alden et al. | | D34/20 |
| 6,155,248 A | | 12/2000 | Schlosser et al. | | 126/242 |

OTHER PUBLICATIONS

Meco Owner's Manual, copyright 1995, "Meco Swinger Grill".*

Merchandising, vol. 6, Jan. 1981, p. 113. "Structo Barbecue Grill". Center of page.*

* cited by examiner

Primary Examiner—Ruth McInroy

(74) *Attorney, Agent, or Firm*—McAndrews, Held, & Malloy, Ltd.

(57) **CLAIM**

The ornamental design for the charcoal grill, as shown and described.

DESCRIPTION

FIG. 1 is a perspective view of a charcoal grill showing our new design;

FIG. 2 is a exploded perspective view thereof, with the ash catcher removed from the charcoal grill;

FIG. 3 is a front elevational view thereof;

FIG. 4 is a rear elevational view thereof;

FIG. 5 is a left side elevational view thereof;

FIG. 6 is a right-side elevational view thereof;

FIG. 7 is a top plan view thereof; and,

FIG. 8 is a bottom plan view thereof.

1 Claim, 4 Drawing Sheets

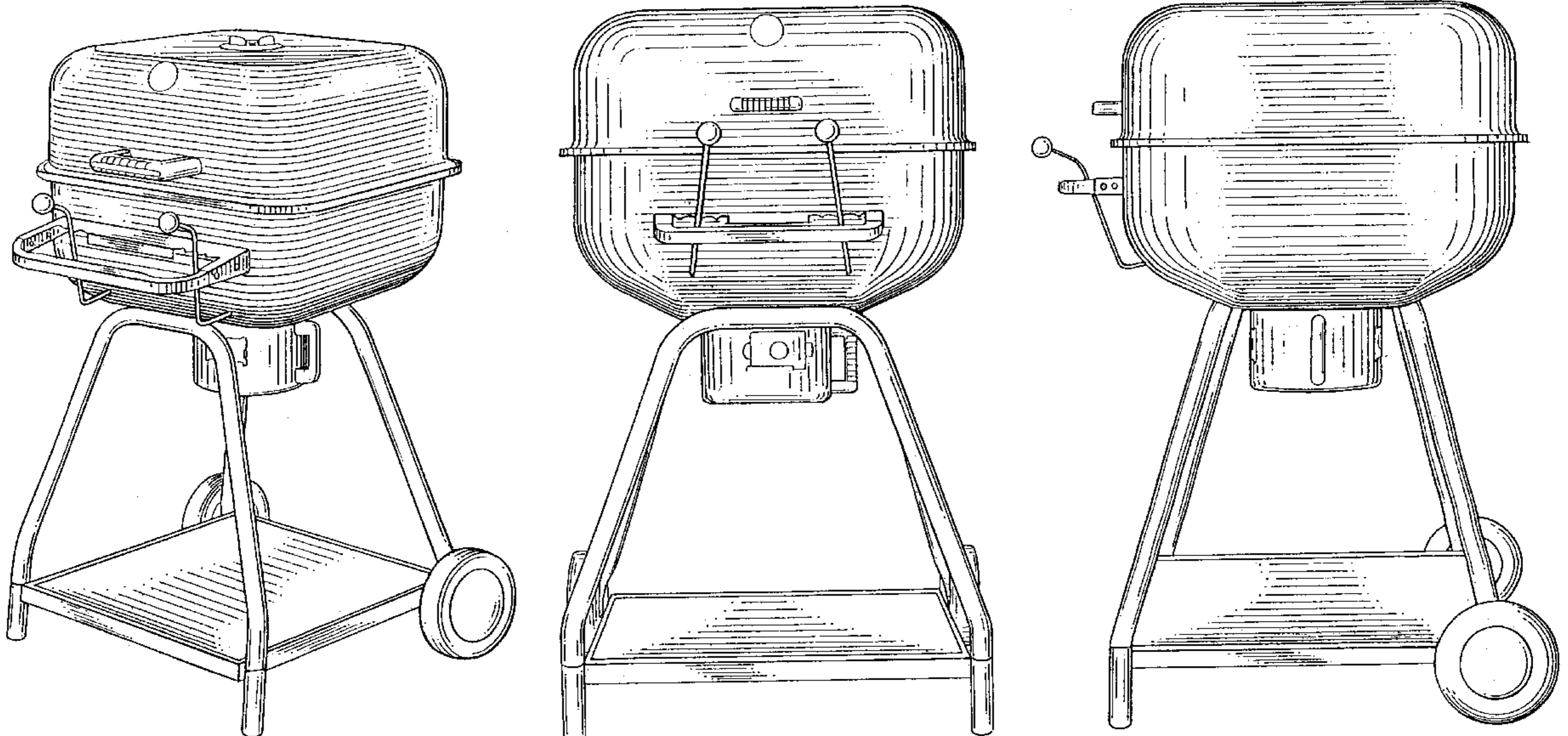


FIG.2

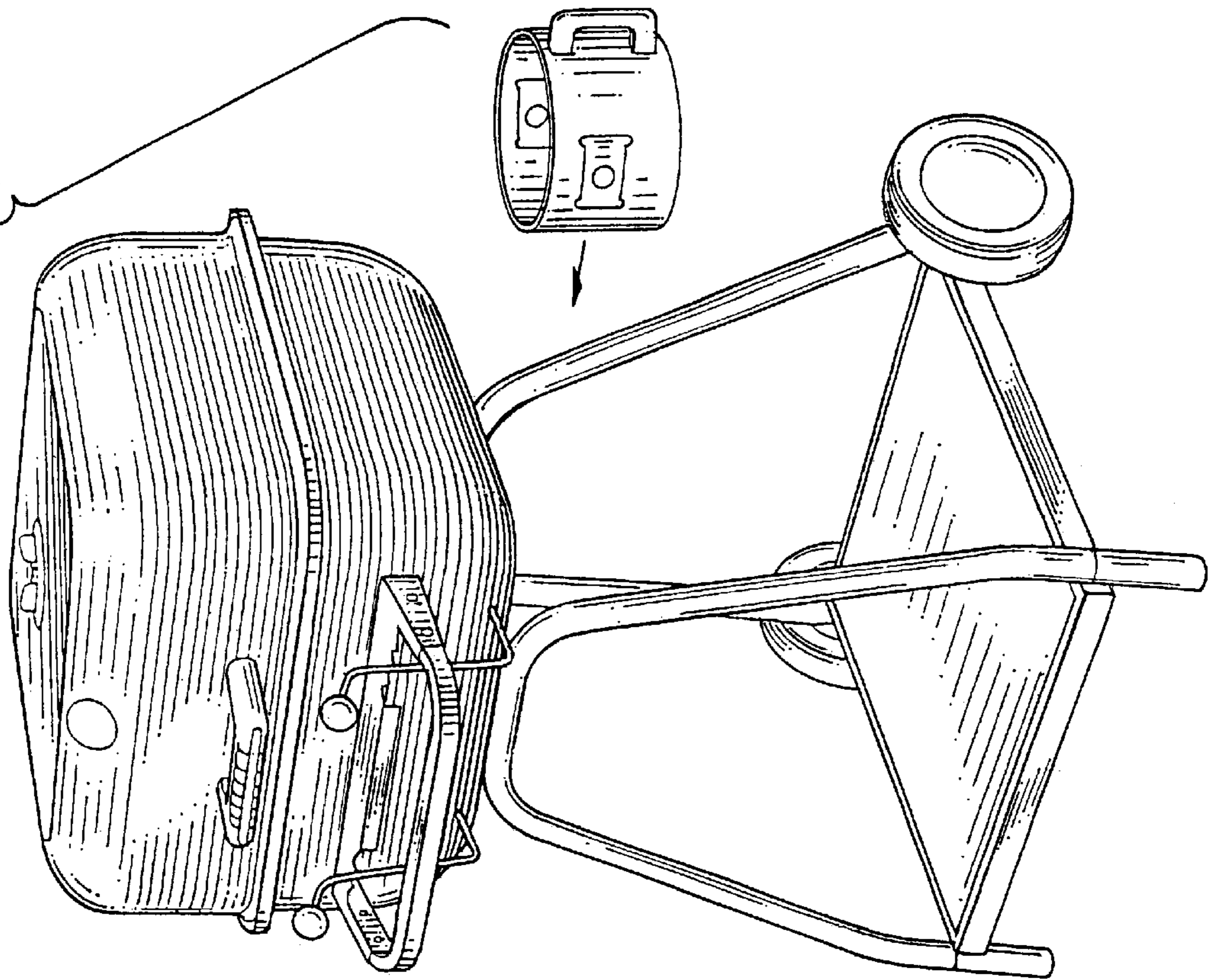


FIG.1

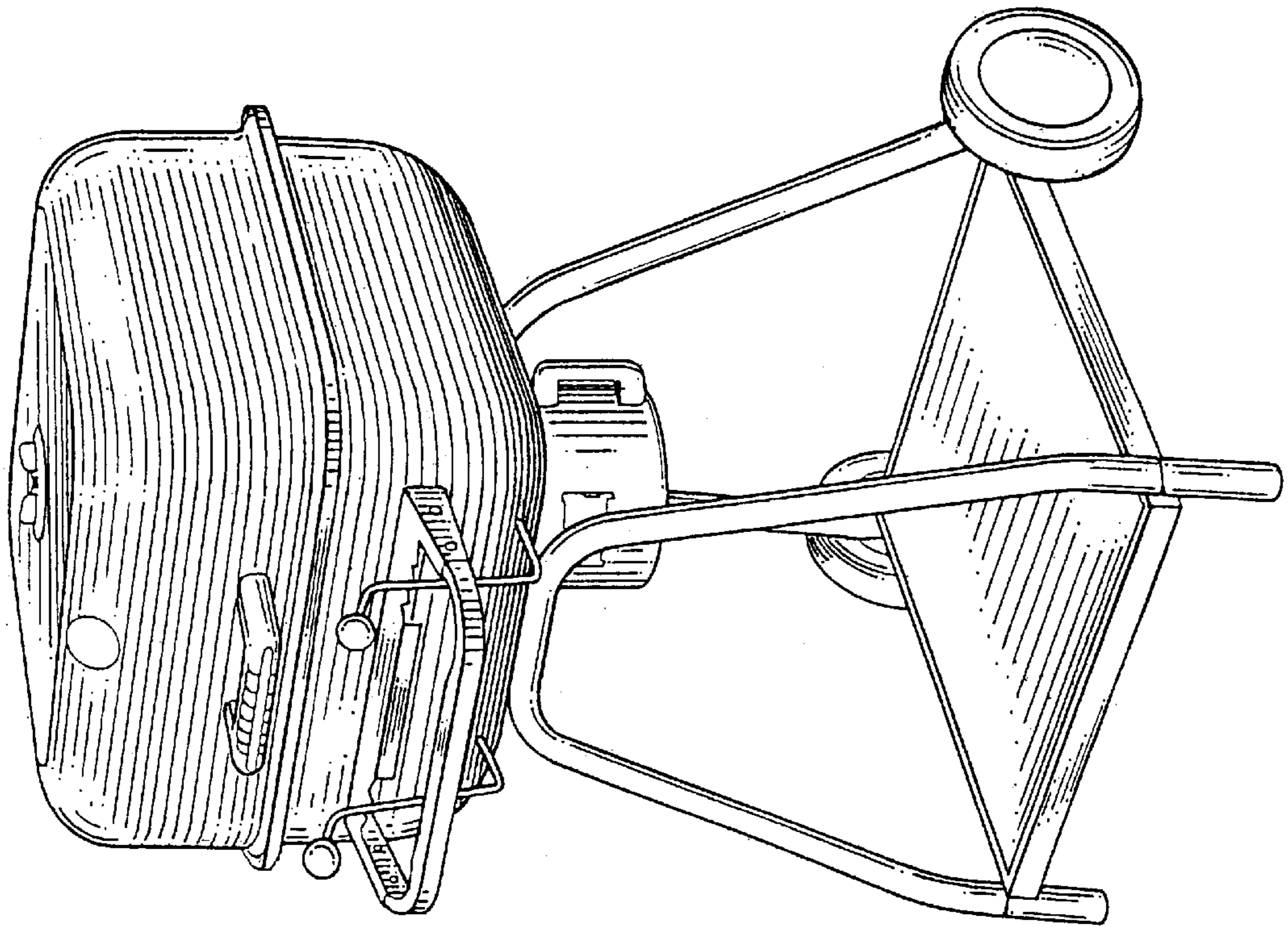


FIG.4

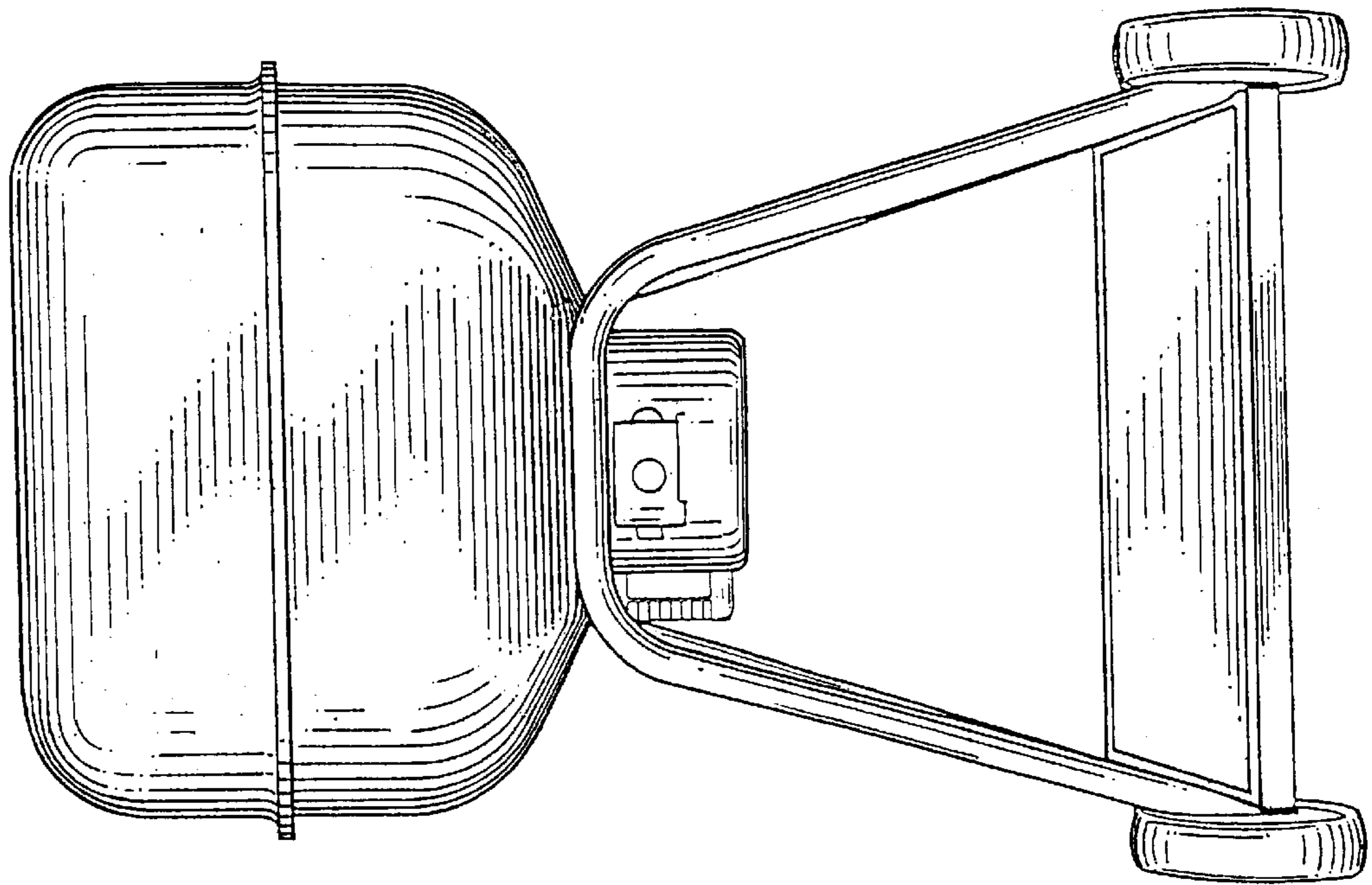


FIG.3

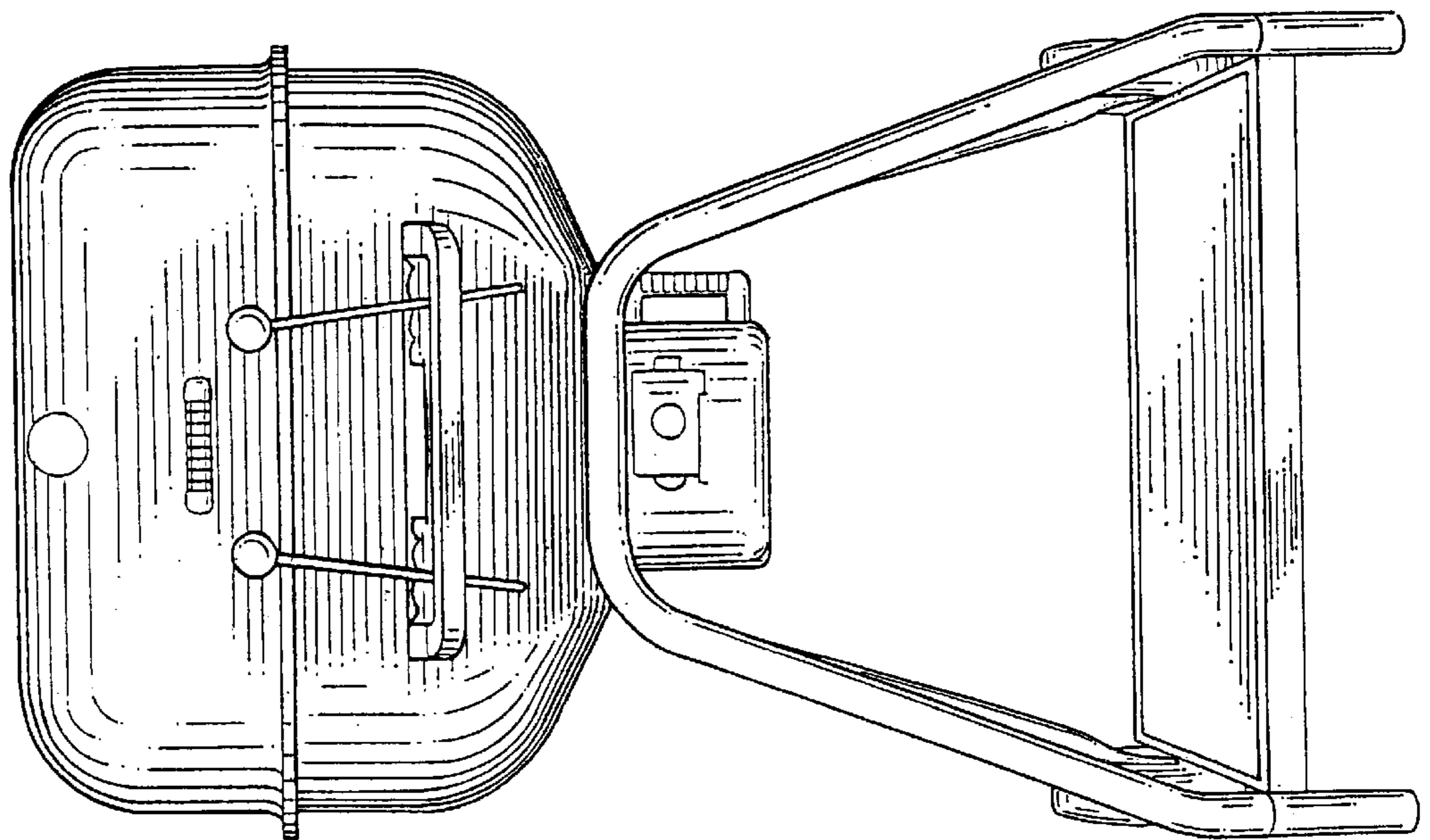


FIG. 6

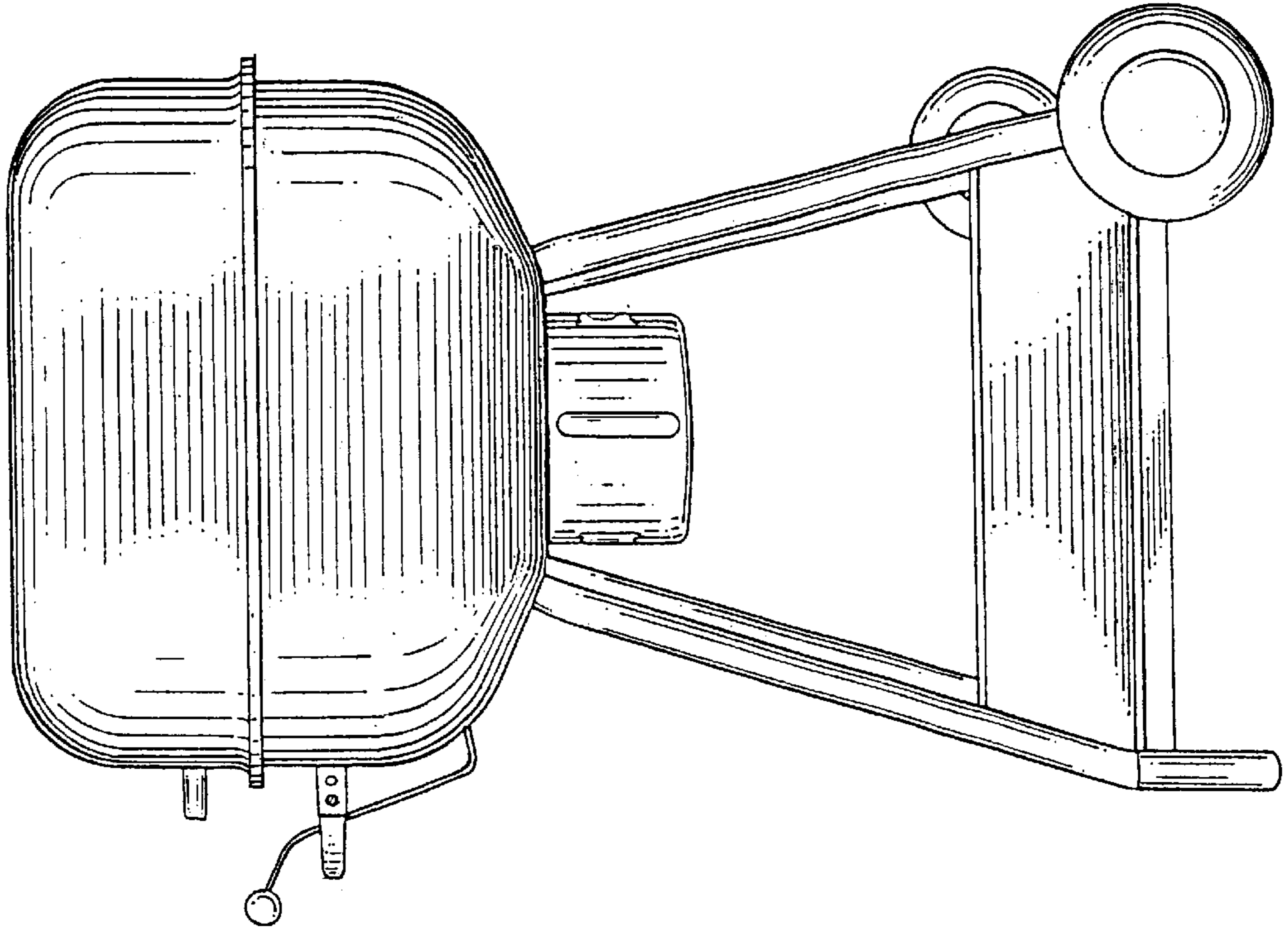


FIG. 5

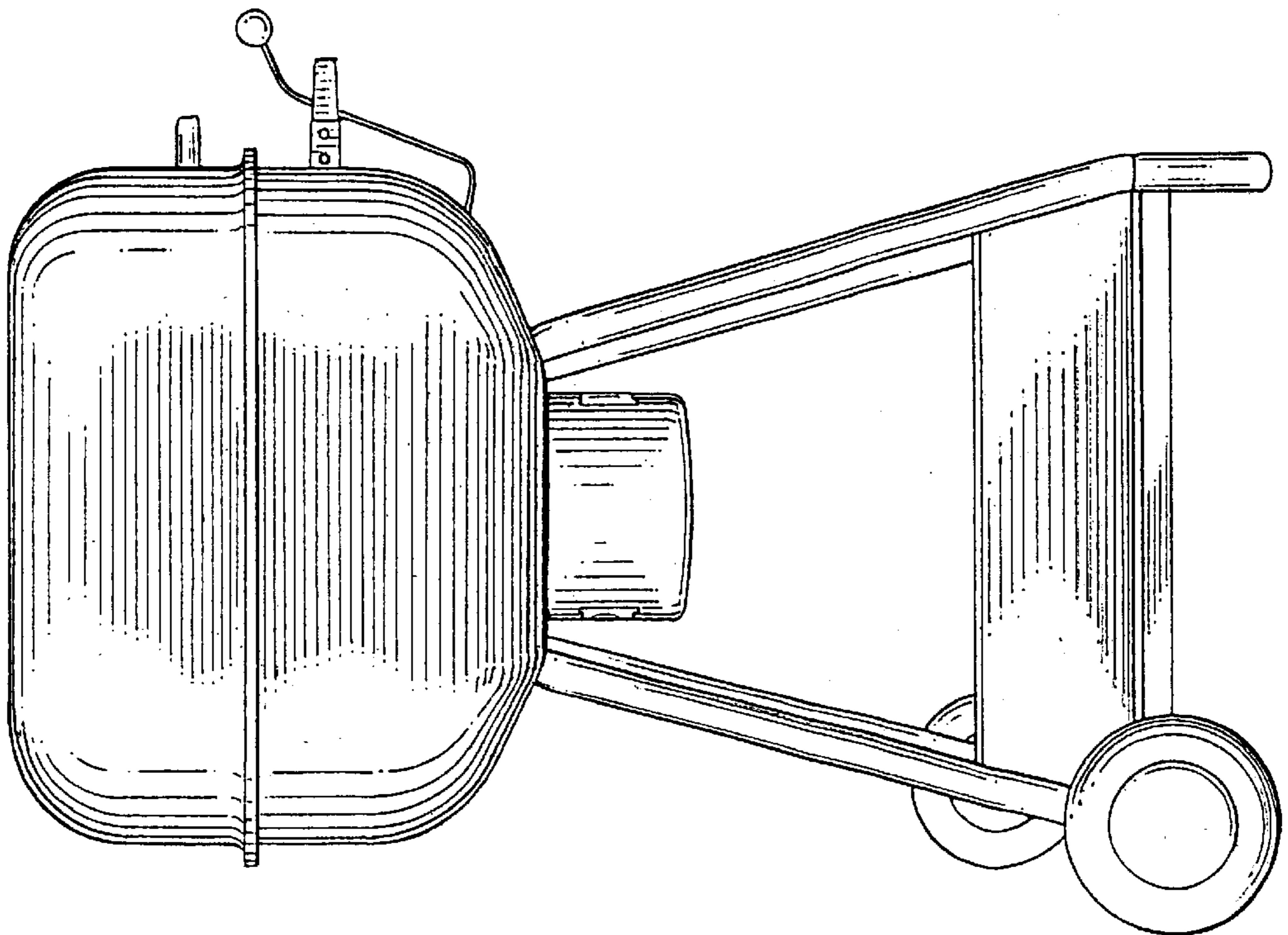


FIG.8

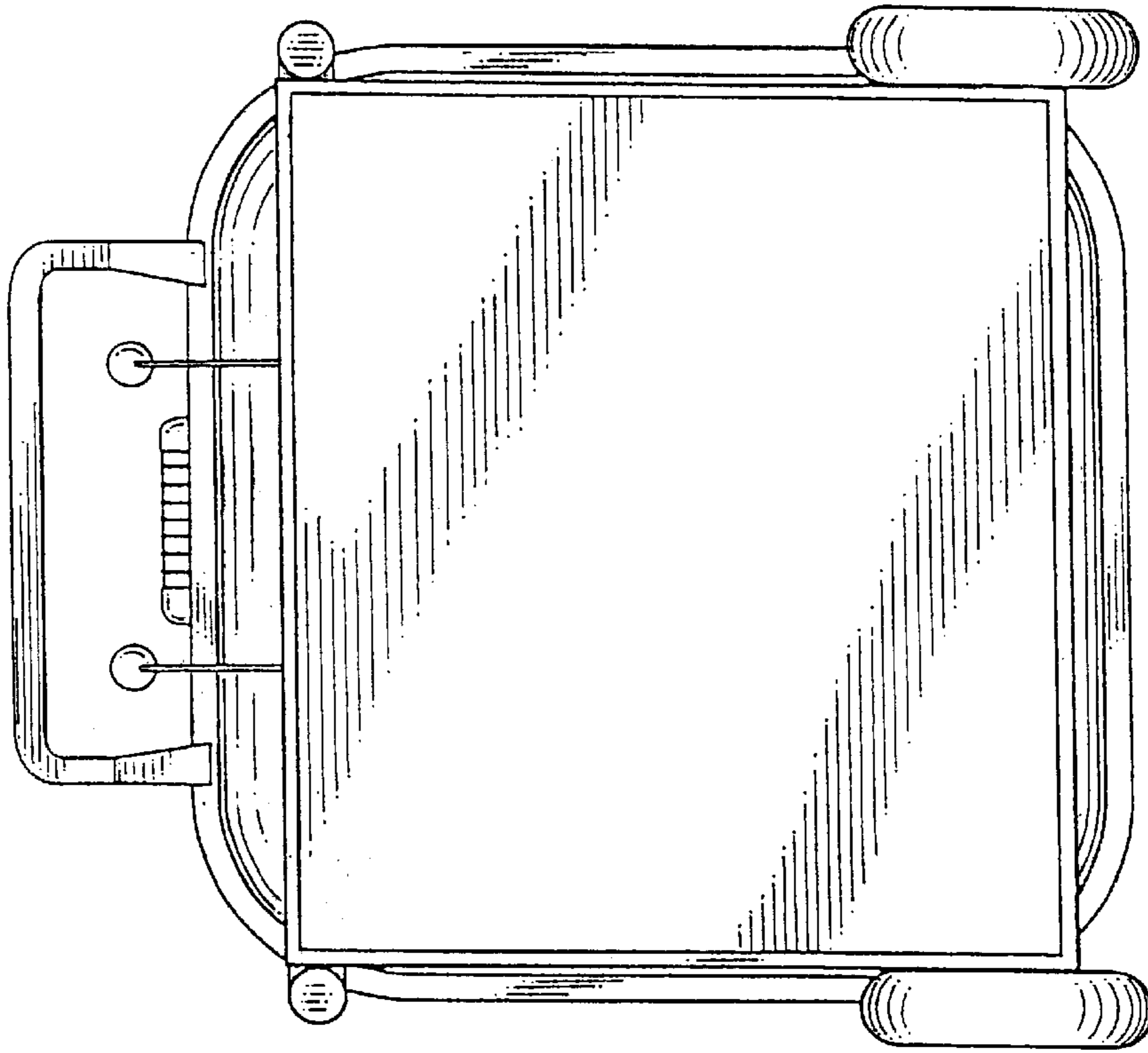


FIG.7

