



US00D466351S

(12) **United States Design Patent**
Tai

(10) **Patent No.:** **US D466,351 S**

(45) **Date of Patent:** **** Dec. 3, 2002**

(54) **BATH ACCESSORY POST**

D450,503 S * 11/2001 Gottwald D6/523
D455,587 S * 4/2002 Ou-Young D6/523

(76) Inventor: **Yuan-Chien Tai**, No. 21, Lane 377,
Sec. 1, Chingdau Rd., Bei Chiu,
Taichung (TW)

* cited by examiner

(**) Term: **14 Years**

Primary Examiner—Brian N. Vinson
(74) *Attorney, Agent, or Firm*—Brinks Hofer Gilson &
Lione

(21) Appl. No.: **29/150,844**

(57) **CLAIM**

(22) Filed: **Nov. 29, 2001**

The ornamental design for a bath accessory post, as shown
and described.

(51) **LOC (7) Cl.** **06-04**

(52) **U.S. Cl.** **D6/550; D6/524**

(58) **Field of Search** D6/546-5, 518,
D6/522-24; D8/300, 307-8, 315-2; 108/29;
211/13.1, 16, 60.1, 86.01, 87.01, 88.04,
105.1-5.2, 106, 123, 181.1; 242/570, 588-9,
597-98; 248/49, 175, 200-1, 205.1, 214,
251-54, 261, 302, 304, 309.1, 314-17

DESCRIPTION

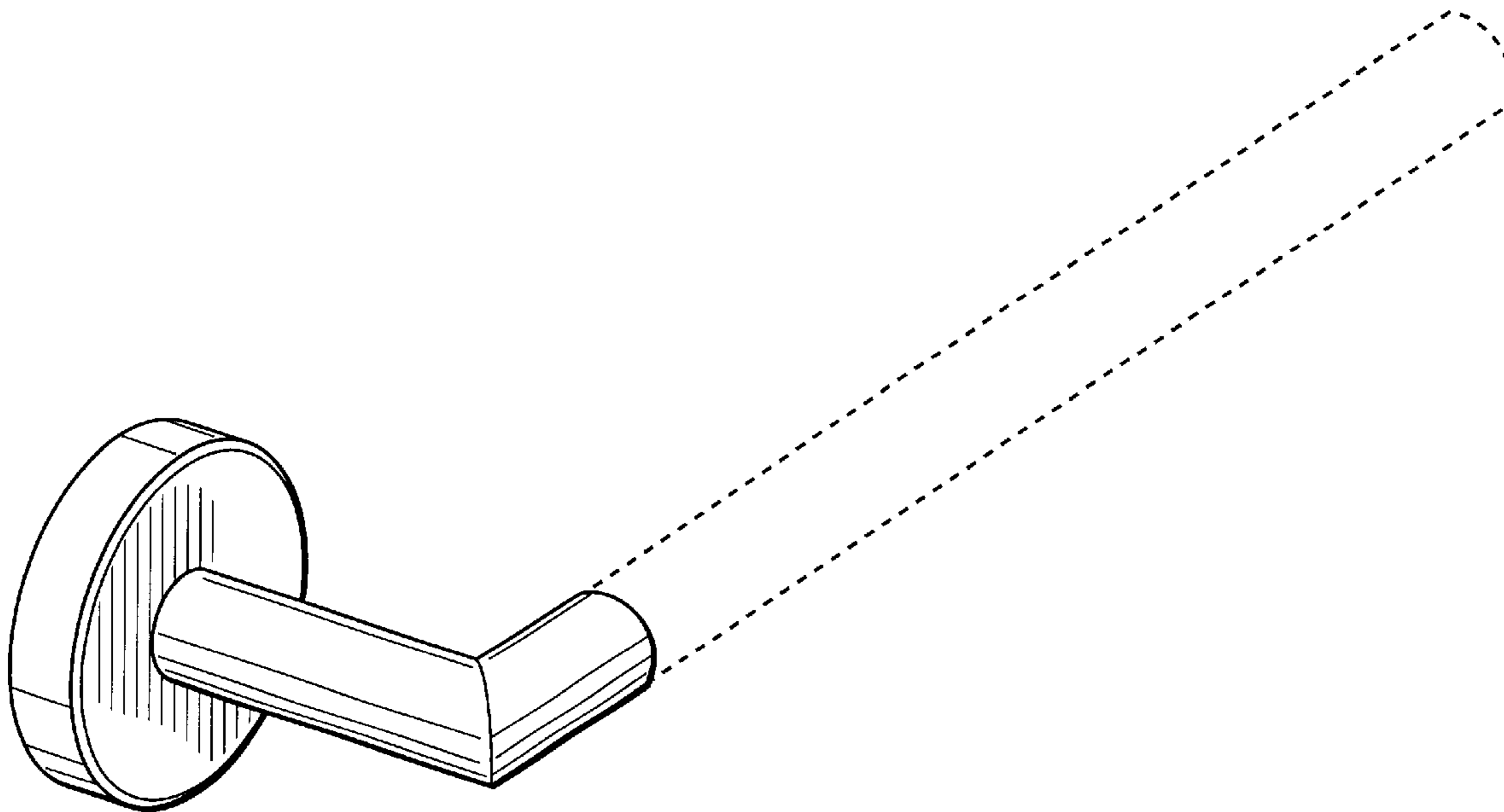
FIG. 1 is a perspective view showing my new design the
broken-line disclosure being for illustrative purposes only
and forming no part of the claimed design.
FIG. 2 is a top elevational view thereof.
FIG. 3 is a bottom elevational view thereof.
FIG. 4 is a left elevational view thereof.
FIG. 5 is a right elevational view thereof.
FIG. 6 is a front elevational view thereof; and,
FIG. 7 is a rear elevational view thereof.

(56) **References Cited**

U.S. PATENT DOCUMENTS

D334,315 S * 3/1993 Bengtson D6/524
D409,032 S * 5/1999 Kuo D6/550

1 Claim, 4 Drawing Sheets



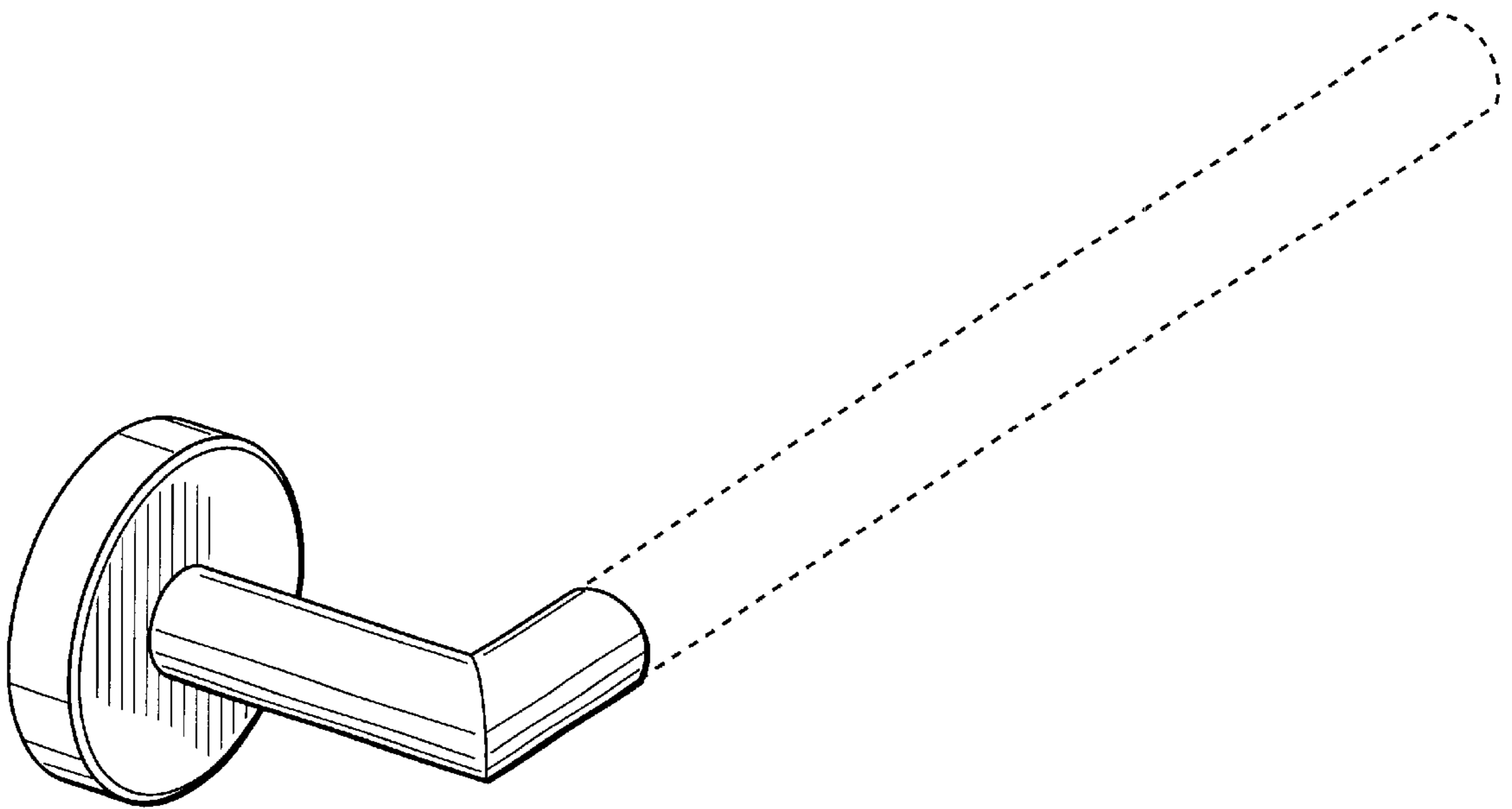


FIG. 1

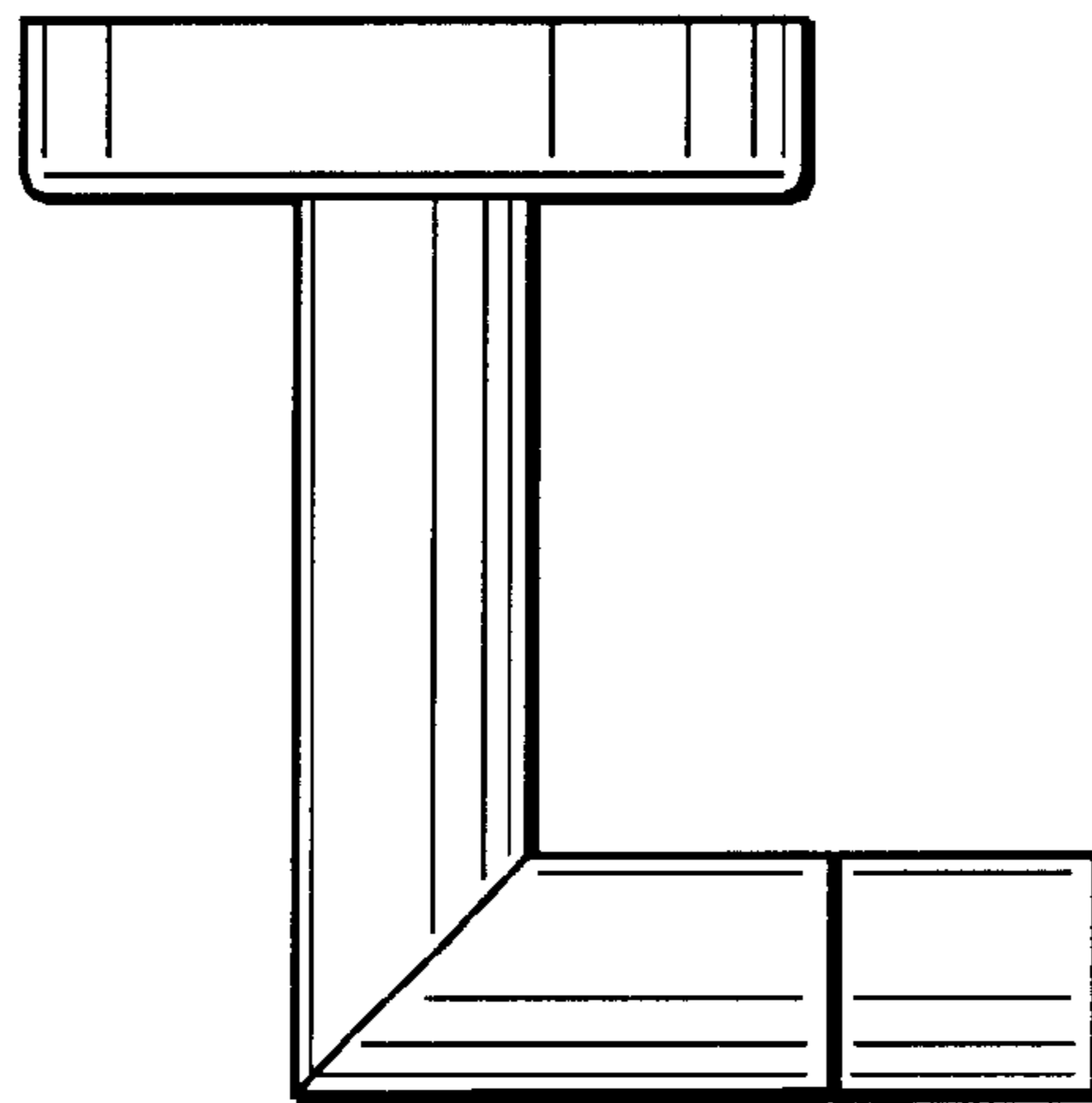


FIG. 2

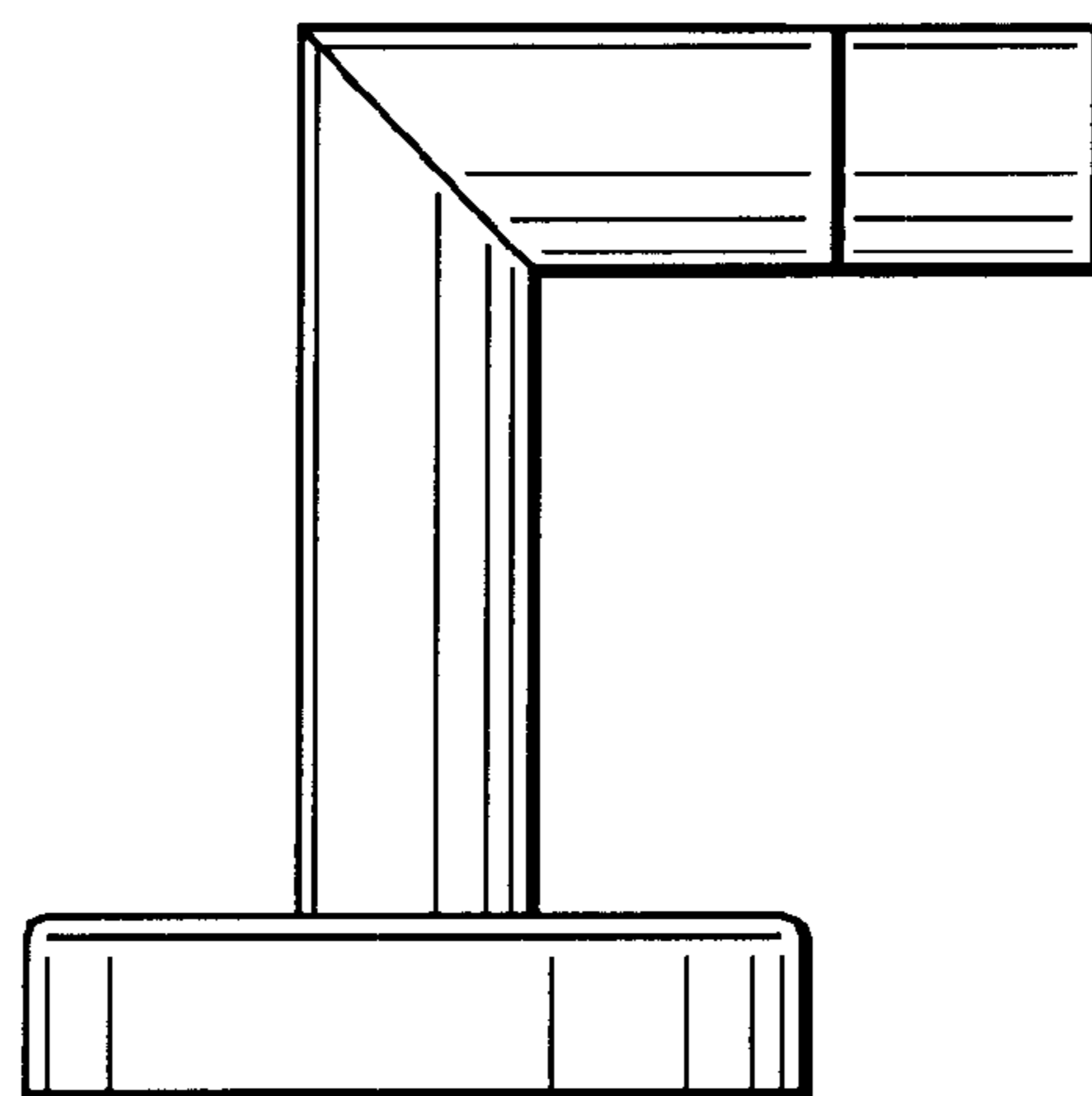


FIG. 3

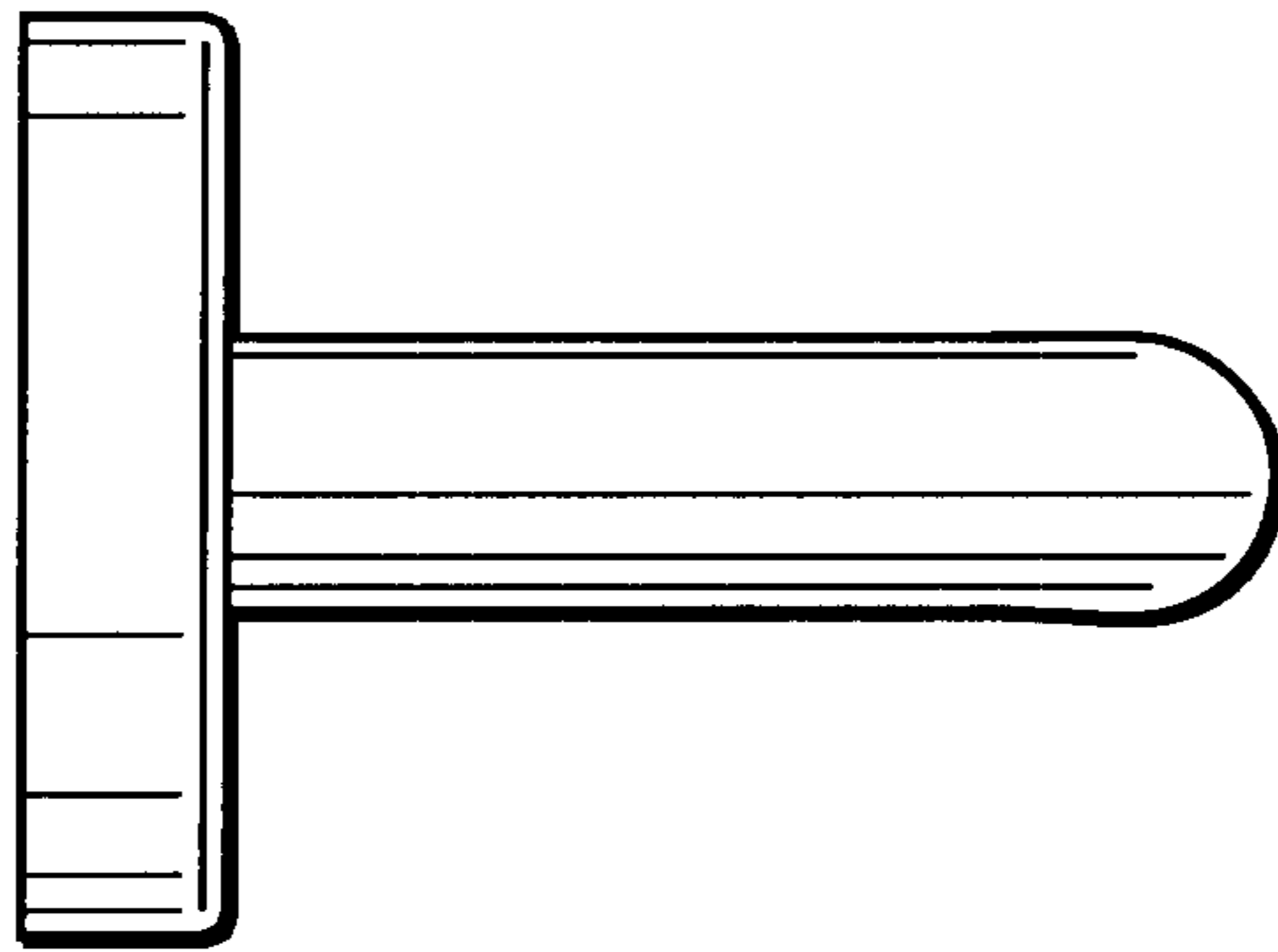


FIG. 4

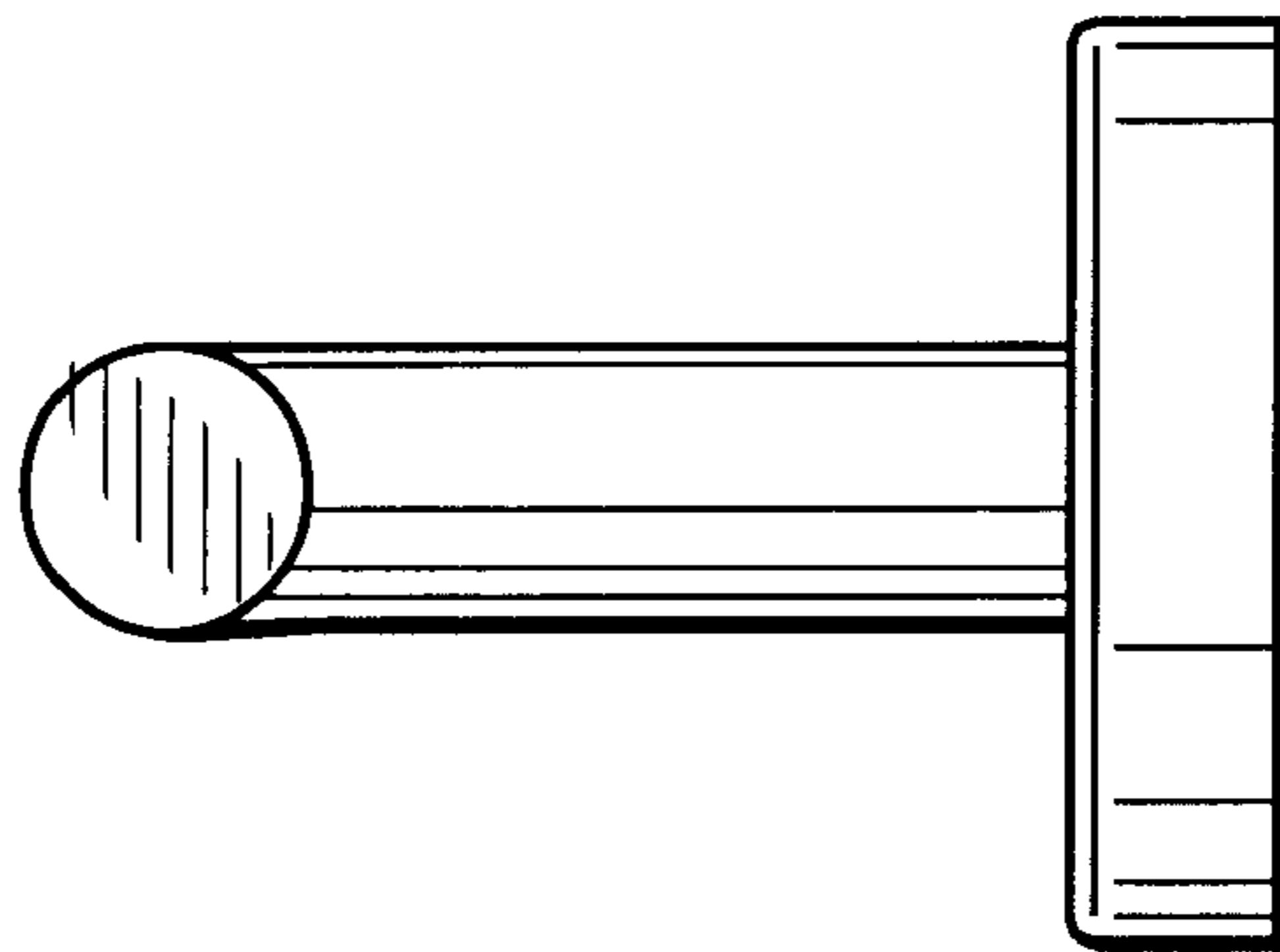


FIG. 5

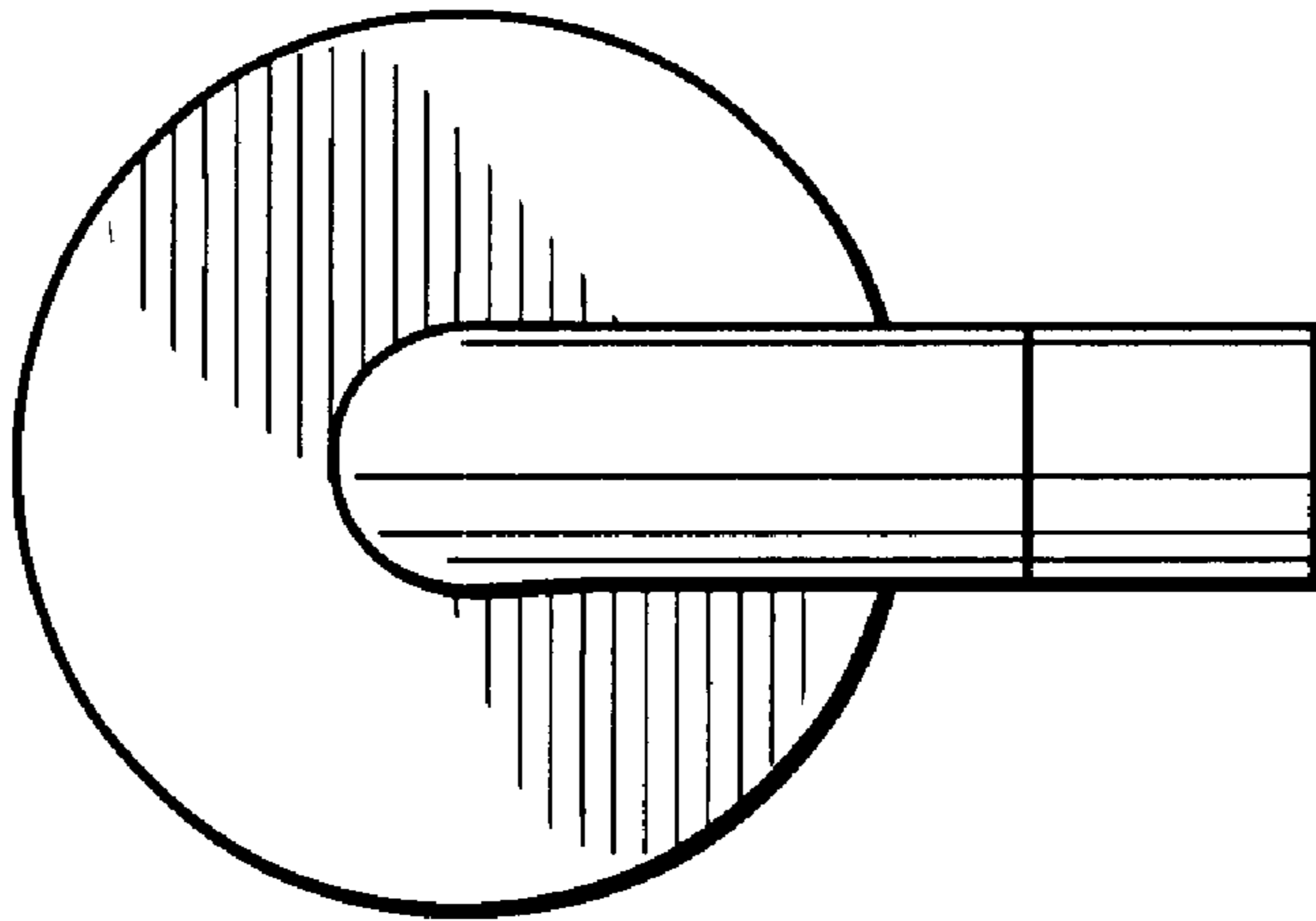


FIG. 6

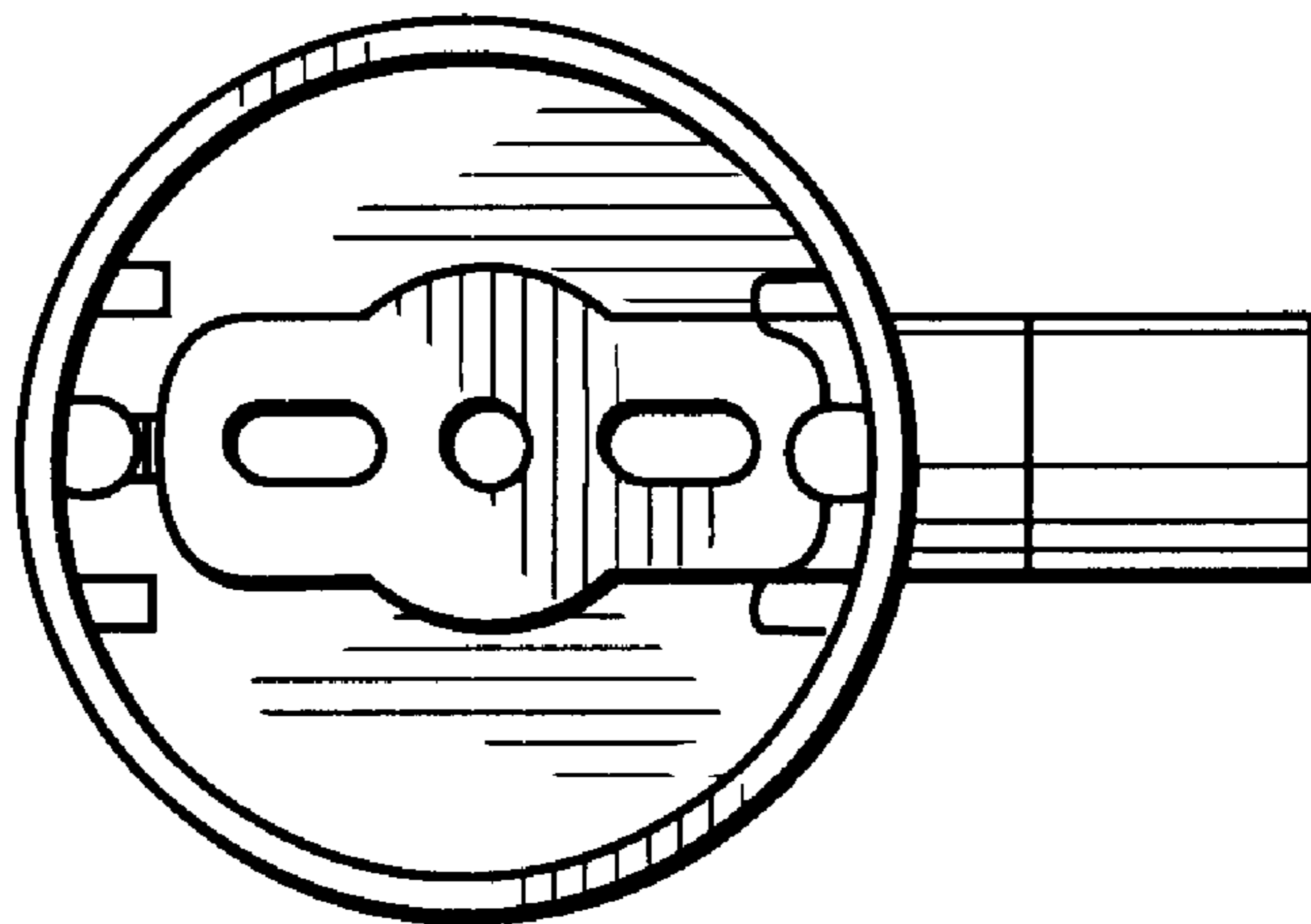


FIG. 7