



US00D466350S

(12) **United States Design Patent**
Tai

(10) **Patent No.:** **US D466,350 S**

(45) **Date of Patent:** **** Dec. 3, 2002**

(54) **TOWEL BAR POST**

(76) **Inventor:** **Yuan-Chien Tai**, No. 21, Lane 377,
Sec. 1. Chingdau Rd., Bei Chiu,
Taichung (TW)

(**) **Term:** **14 Years**

(21) **Appl. No.:** **29/150,356**

(22) **Filed:** **Nov. 20, 2001**

(51) **LOC (7) Cl.** **06-04**

(52) **U.S. Cl.** **D6/550**

(58) **Field of Search** D6/546-50, 518,
D6/522-24; D8/300, 307-308, 315-20;
108/29; 211/13.1, 16, 60.1, 86.01, 87.01,
88.04, 105.1-105.2, 106, 123, 181.1; 242/570,
588-90, 597-98; 248/49, 175, 200-201,
205.1, 214, 251-54, 261, 302, 304, 309.1,
314-17

(56) **References Cited**

U.S. PATENT DOCUMENTS

2,490,854 A	*	12/1949	Bozoti	248/251
D286,963 S		12/1986	Waghorn	D6/549
D299,099 S		12/1988	Gresens et al.	D6/550
D357,379 S		4/1995	Lehn et al.		
D357,840 S		5/1995	Lehn et al.		
D360,792 S		8/1995	Sharpe	D6/546
D361,006 S	*	8/1995	Sharpe	D6/524
D361,671 S		8/1995	Sharpe	D6/323
D374,361 S		10/1996	Lehn et al.	D6/523
D391,105 S		2/1998	Sharpe	D6/546
D392,138 S		3/1998	Wu	D6/549
D392,139 S		3/1998	Wu	D6/549

D393,166 S		4/1998	Sharpe	D6/524
D394,574 S		5/1998	Moore	D6/550
D394,971 S		6/1998	Moore	D6/550
D394,973 S		6/1998	Moore et al.	D6/550
D406,484 S		3/1999	Wu	D6/566
D408,188 S	*	4/1999	Kuo	D6/550
D408,669 S		4/1999	Kuo	D6/550
D409,029 S		5/1999	Harris	D6/524
D416,785 S		11/1999	Ming-Hsiao	D8/363
D417,576 S		12/1999	Ming-Hsiao	D6/549
D417,808 S		12/1999	Roth et al.	D6/523
D417,994 S		12/1999	Roth et al.	D6/546
D424,352 S	*	5/2000	Roth et al.	D6/549
D431,948 S	*	10/2000	Chen	D6/524
D449,950 S	*	11/2001	Lai	D6/524
D452,790 S	*	1/2002	Chen	D6/524

* cited by examiner

Primary Examiner—Brian N. Vinson
(74) *Attorney, Agent, or Firm*—Brinks Hofer Gilson & Lione

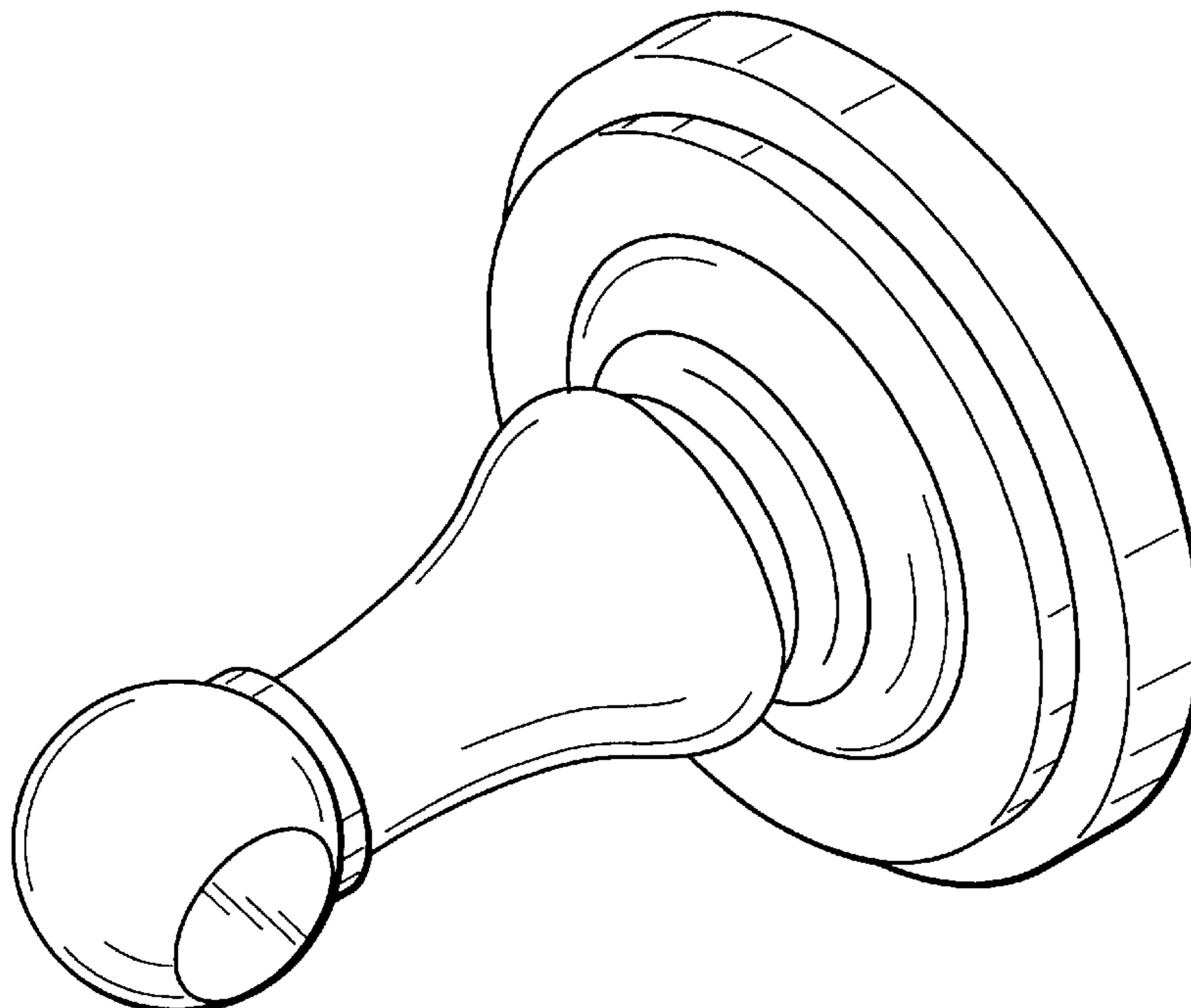
(57) **CLAIM**

The ornamental design for a towel bar post, as shown and described.

DESCRIPTION

FIG. 1 is a perspective view showing my new design.
FIG. 2 is a bottom elevational view thereof.
FIG. 3 is a top elevational view thereof.
FIG. 4 is a left elevational view thereof.
FIG. 5 is a right elevational view thereof.
FIG. 6 is a front elevational view thereof; and,
FIG. 7 is a rear elevational view thereof.

1 Claim, 4 Drawing Sheets



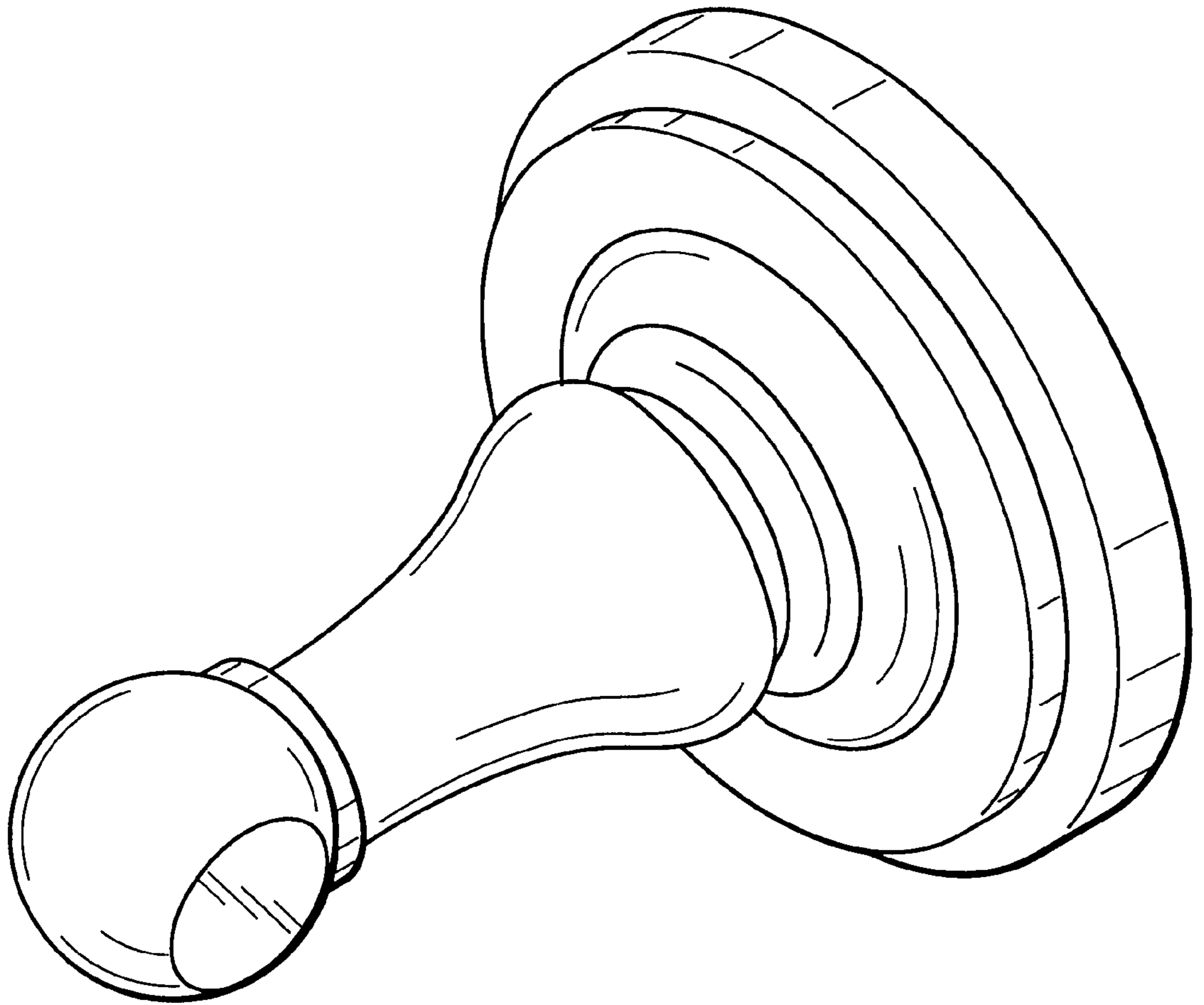


FIG. 1

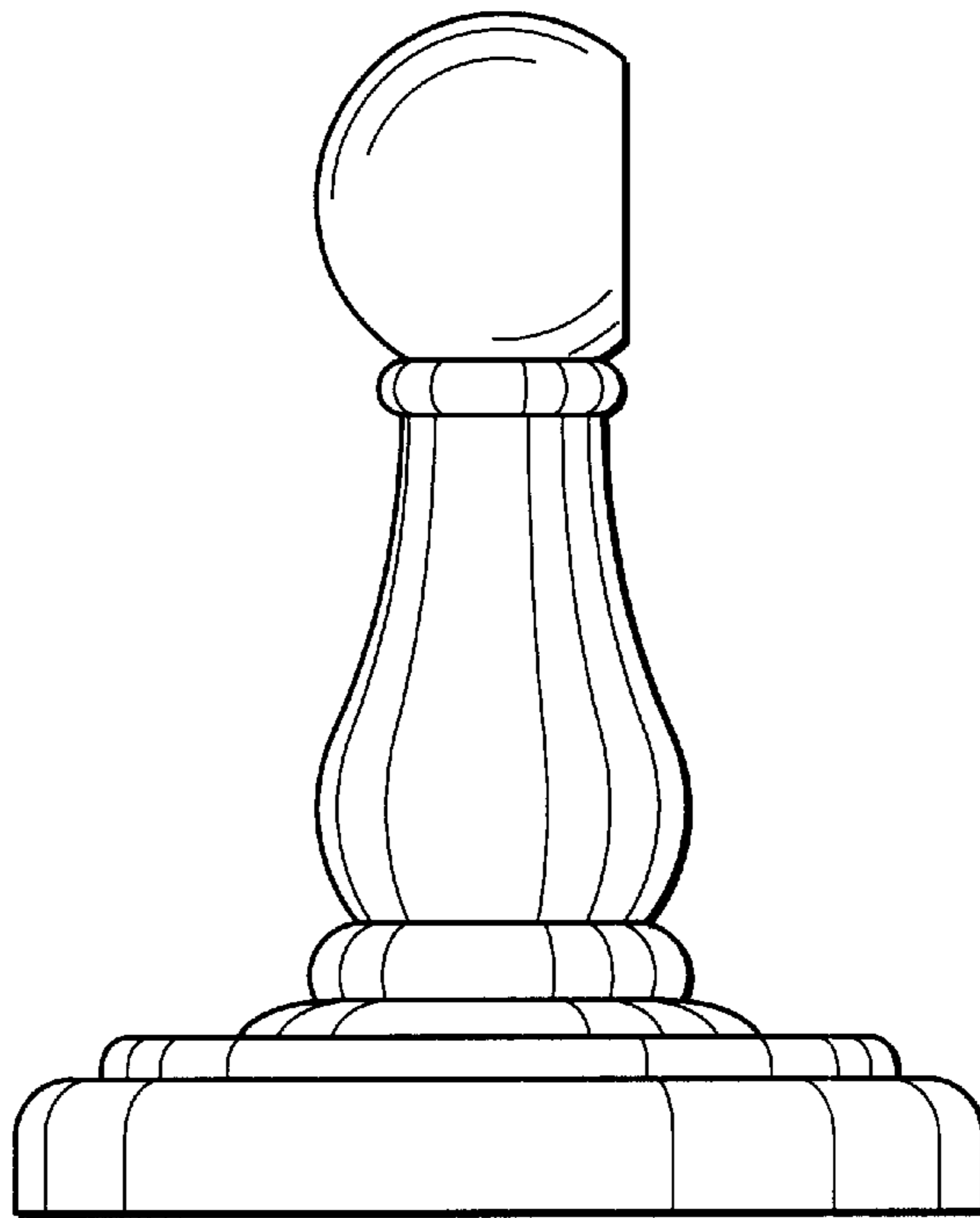


FIG. 2

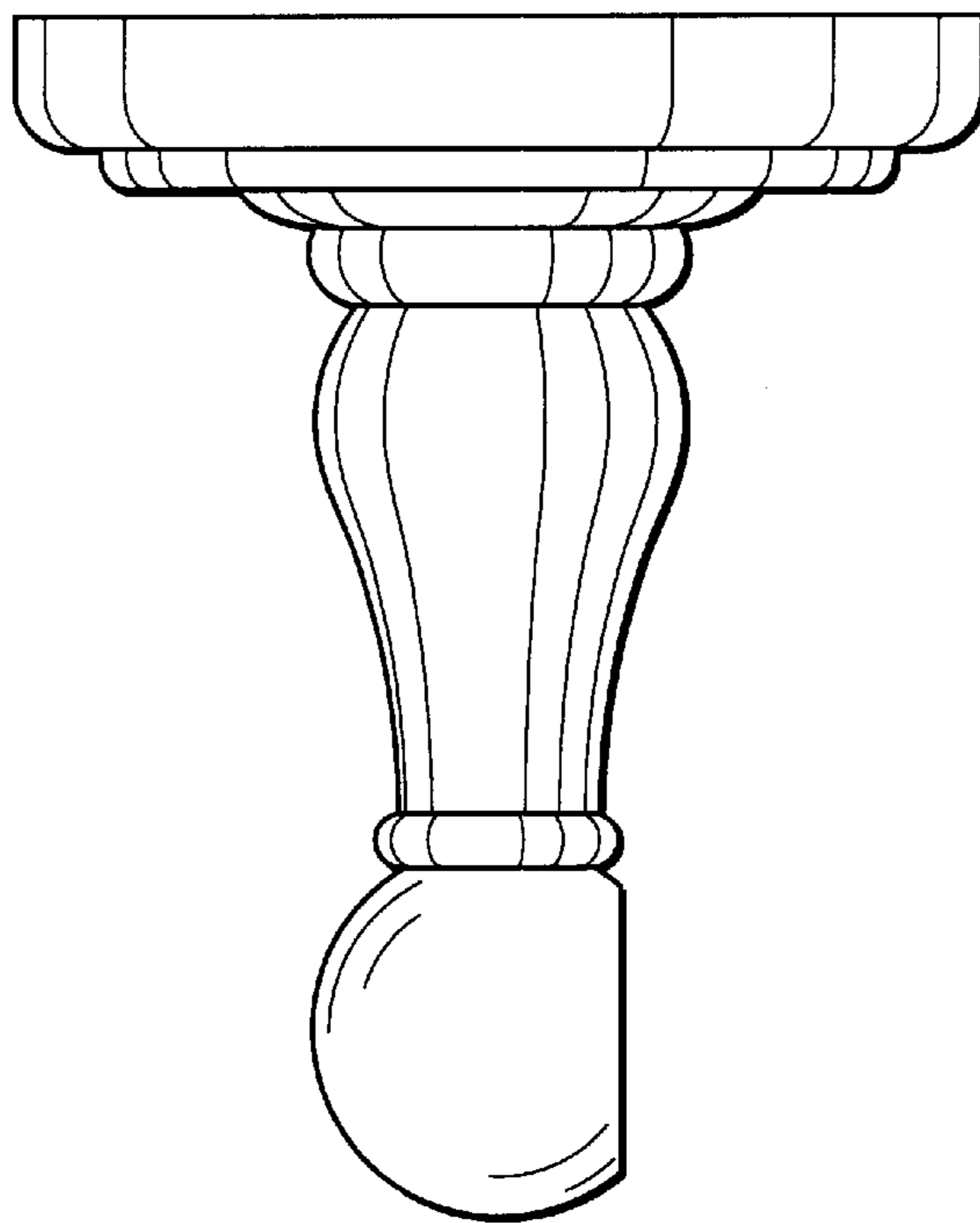


FIG. 3

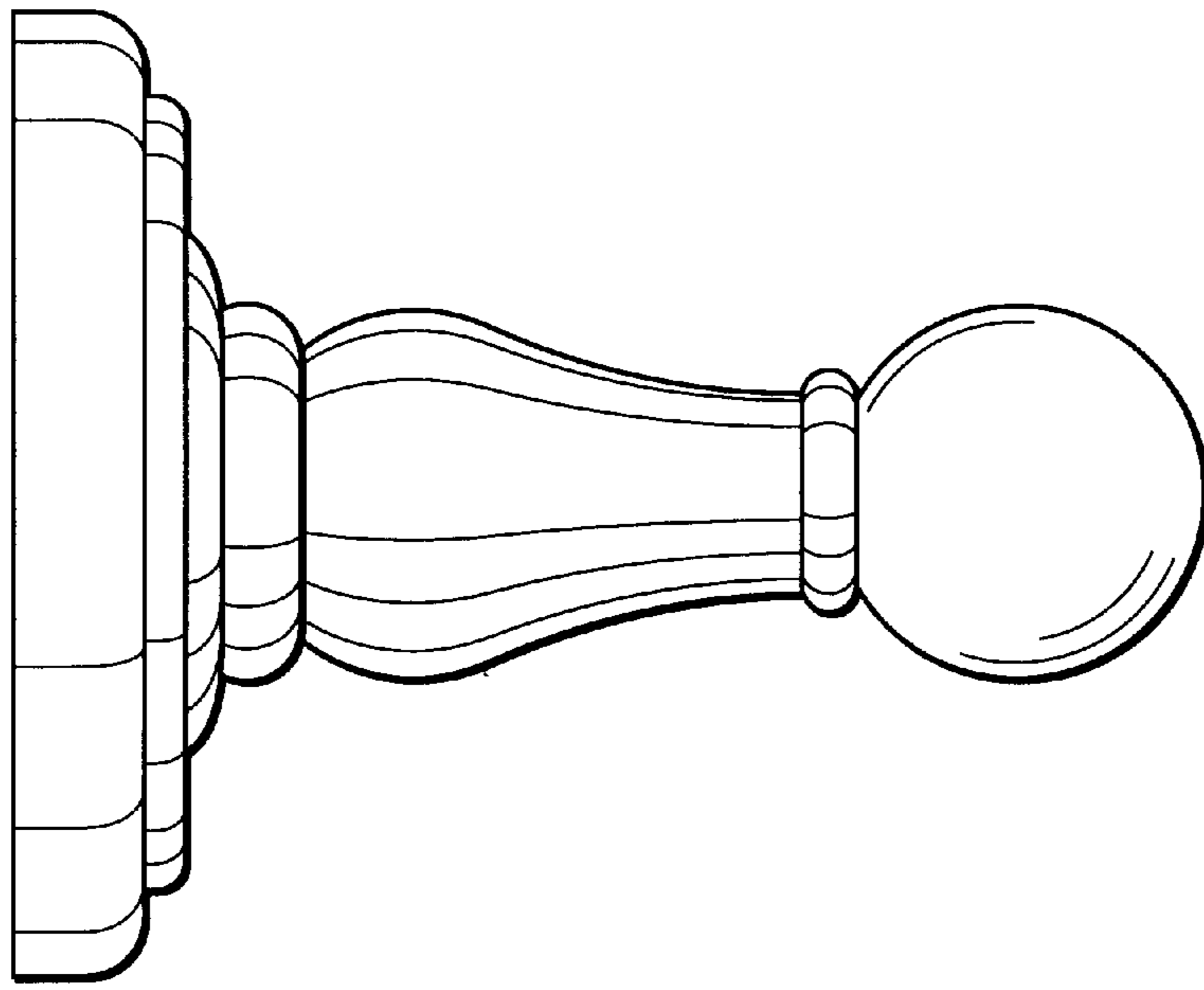


FIG. 4

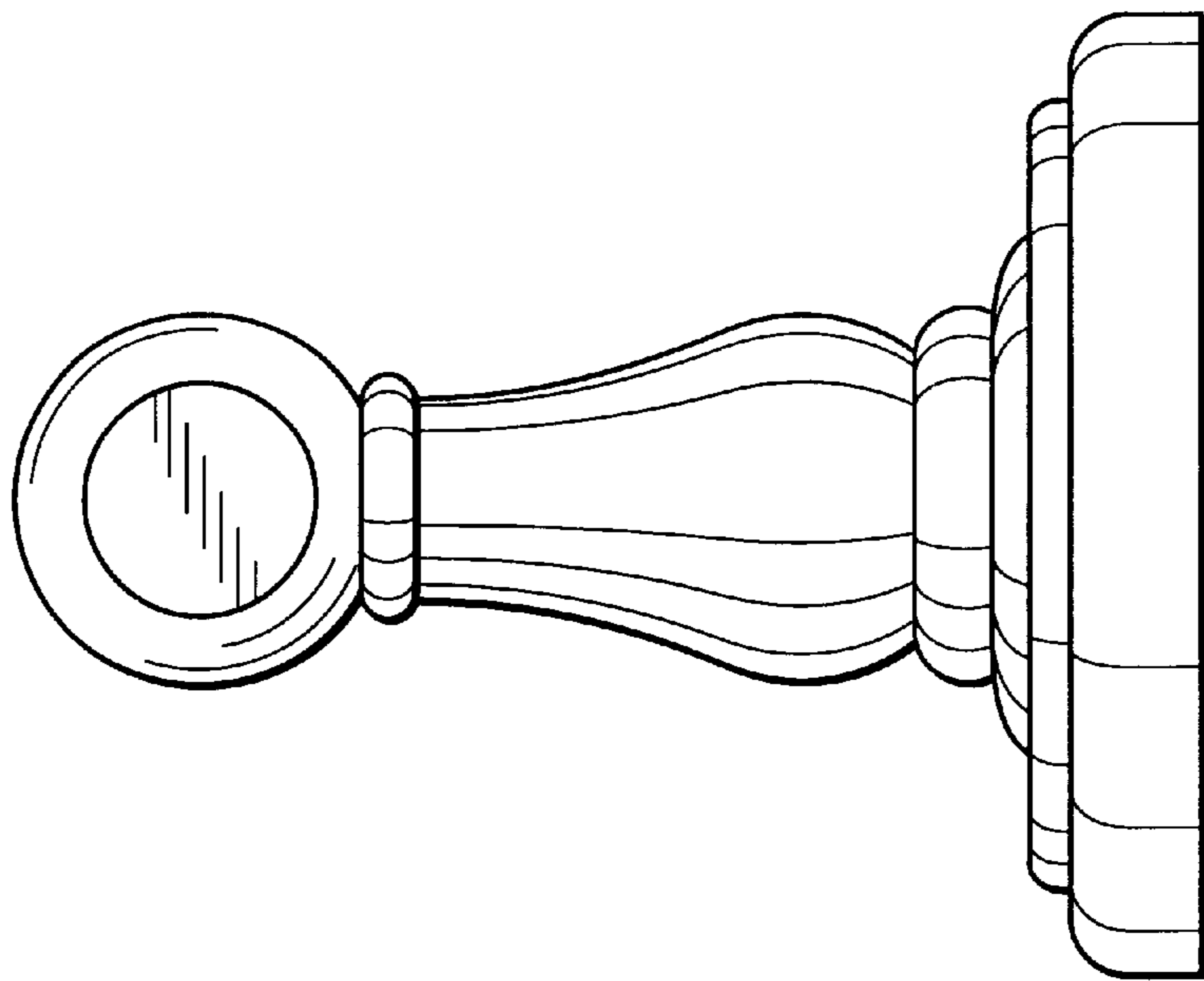


FIG. 5

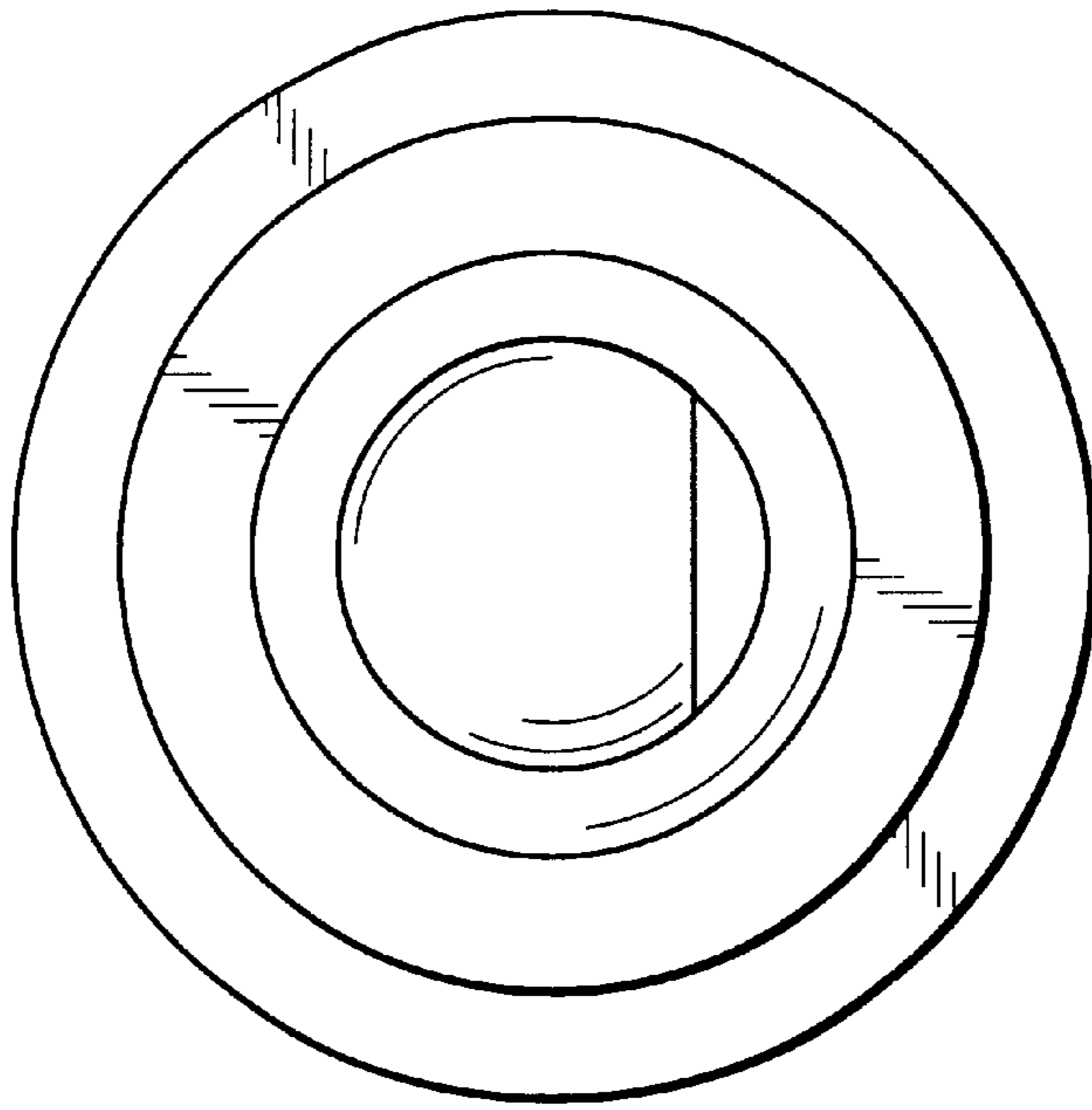


FIG. 6

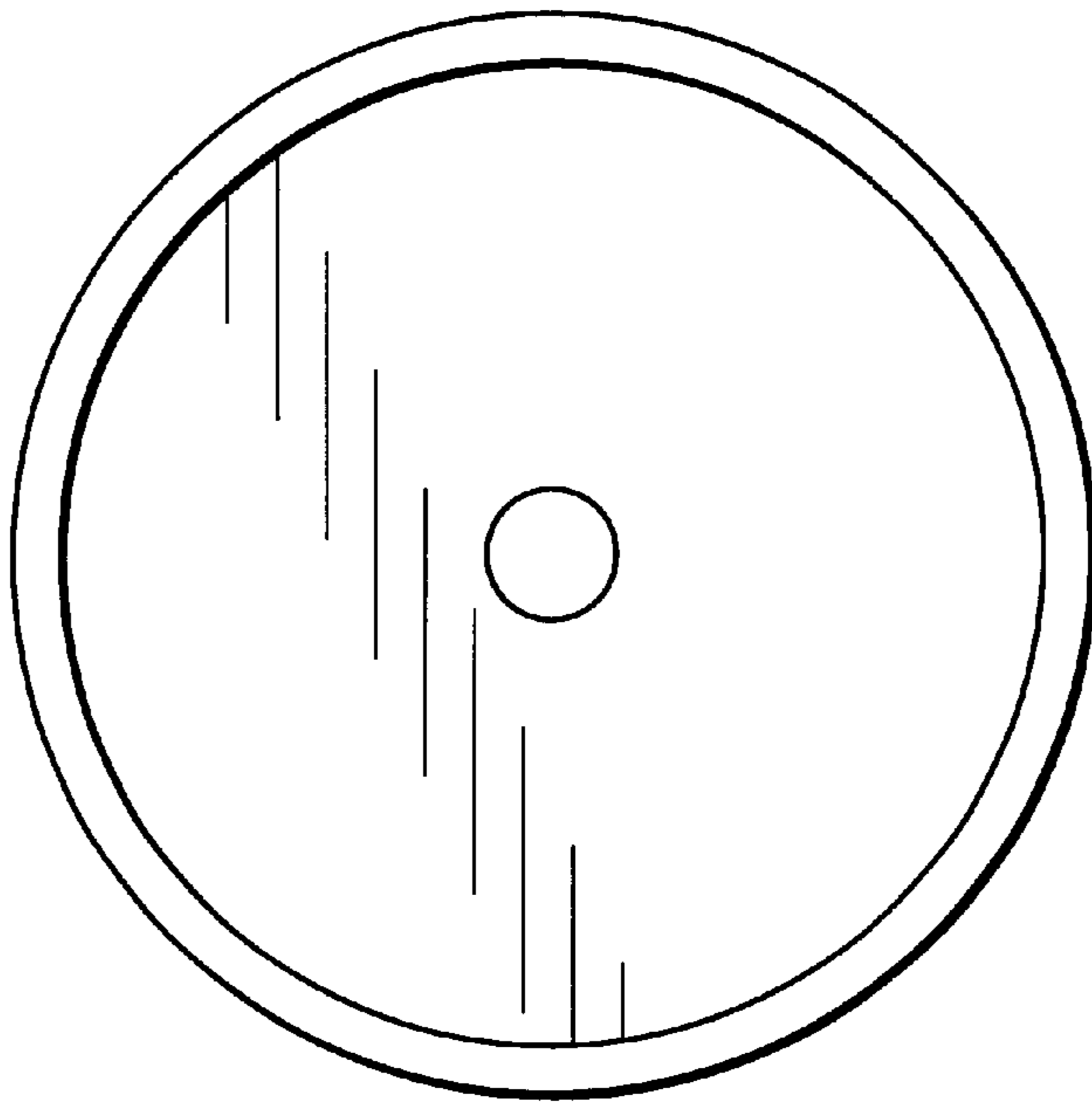


FIG. 7