



US00D466349S

(12) **United States Design Patent**
Tai

(10) **Patent No.:** **US D466,349 S**

(45) **Date of Patent:** **** Dec. 3, 2002**

(54) **TOWEL BAR POST**

(76) **Inventor:** **Yuan-Chien Tai**, No. 21, Lane 377,
Sec. 1, Chingdau Rd., Bei Chiu,
Taichung (TW)

(**) **Term:** **14 Years**

(21) **Appl. No.:** **29/150,353**

(22) **Filed:** **Nov. 20, 2001**

(51) **LOC (7) Cl.** **06-04**

(52) **U.S. Cl.** **D6/550**

(58) **Field of Search** D6/546-50, 518,
D6/522-24; D8/300, 307-8, 315-2; 108/29;
211/13.1, 16, 60.1, 86.01, 87.01, 88.04,
105.1-5.2, 106, 123, 181.1; 242/570, 588-9,
597-98; 248/49, 175, 200-1, 205.1, 214,
251-54, 261, 302, 304, 309.1, 314-17

(56) **References Cited**

U.S. PATENT DOCUMENTS

2,542,941	A	*	2/1951	Post	248/205.1
D259,753	S	*	7/1981	Fleischmann et al.	D6/549
D318,590	S	*	7/1991	McKeone	D6/524
D328,215	S	*	7/1992	McKeone	D6/524
D377,570	S		1/1997	Sharpe	D6/524
D391,105	S		2/1998	Sharpe	D6/546
D392,138	S		3/1998	Wu	D6/549
D392,139	S		3/1998	Wu	D6/549
D393,166	S		4/1998	Sharpe	D6/524

D394,971	S		6/1998	Moore	D6/550
D406,484	S		3/1999	Wu	D6/566
D409,029	S		5/1999	Harris	D6/524
D416,785	S		11/1999	Ming-Hsiao	D8/363
D417,576	S		12/1999	Ming-Hsiao	D6/549
D417,995	S	*	12/1999	Chen	D6/550
D427,471	S	*	7/2000	Chen	D6/549
D442,407	S	*	5/2001	Solowiej	D6/524
D449,949	S	*	11/2001	Hsieh	D6/524
D452,400	S	*	12/2001	Chen	D6/524
D454,457	S	*	3/2002	Ou-Young	D6/546
D455,588	S	*	4/2002	Ou-Young	D6/523

* cited by examiner

Primary Examiner—Brian N. Vinson

(74) *Attorney, Agent, or Firm*—Brinks Hofer Gilson & Lione

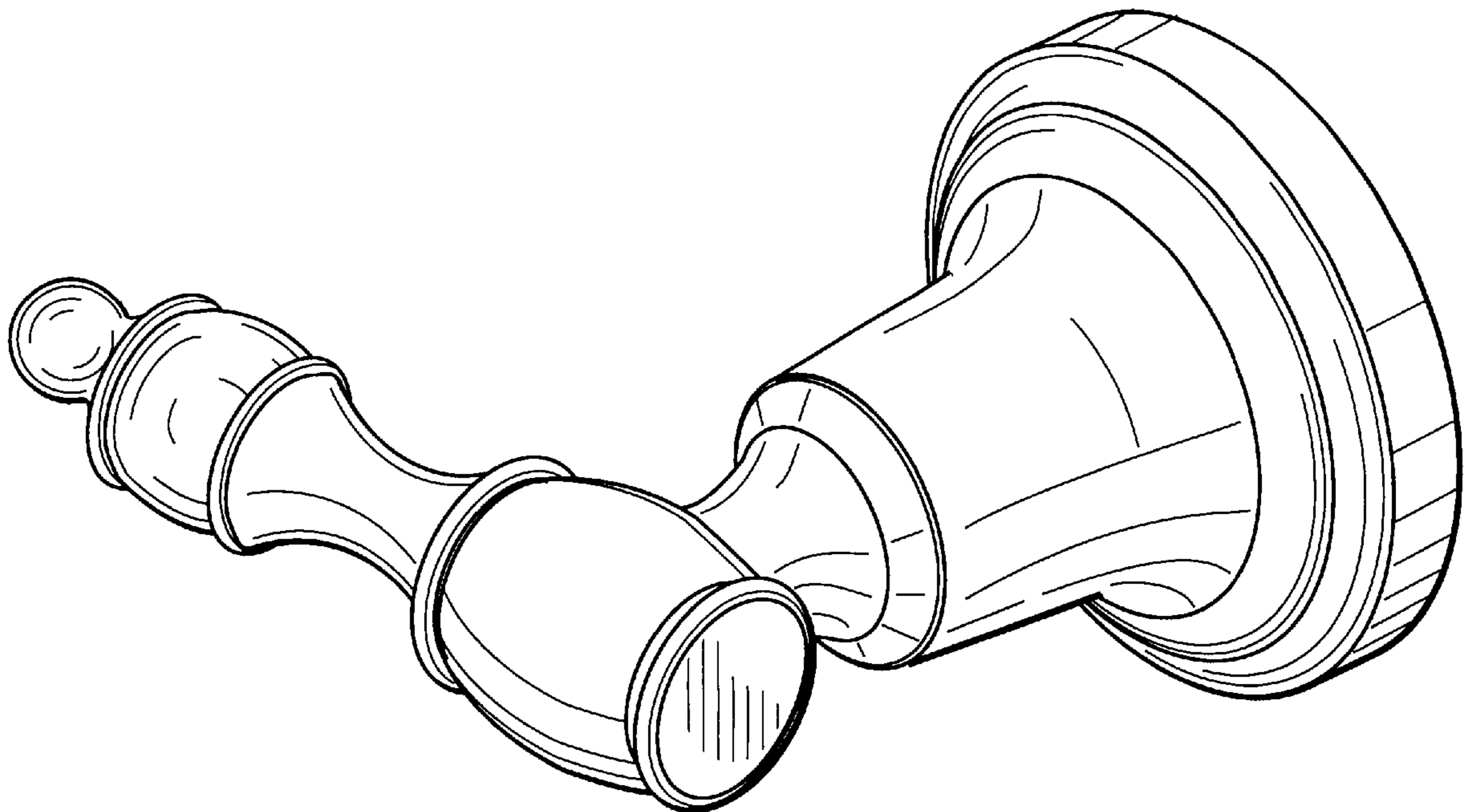
(57) **CLAIM**

The ornamental design for a towel bar post, as shown and described.

DESCRIPTION

FIG. 1 is a perspective view showing my new design.
FIG. 2 is a bottom elevational view thereof.
FIG. 3 is a top elevational view thereof.
FIG. 4 is a left elevational view thereof.
FIG. 5 is a right elevational view thereof.
FIG. 6 is a front elevational view thereof; and,
FIG. 7 is a rear elevational view thereof.

1 Claim, 4 Drawing Sheets



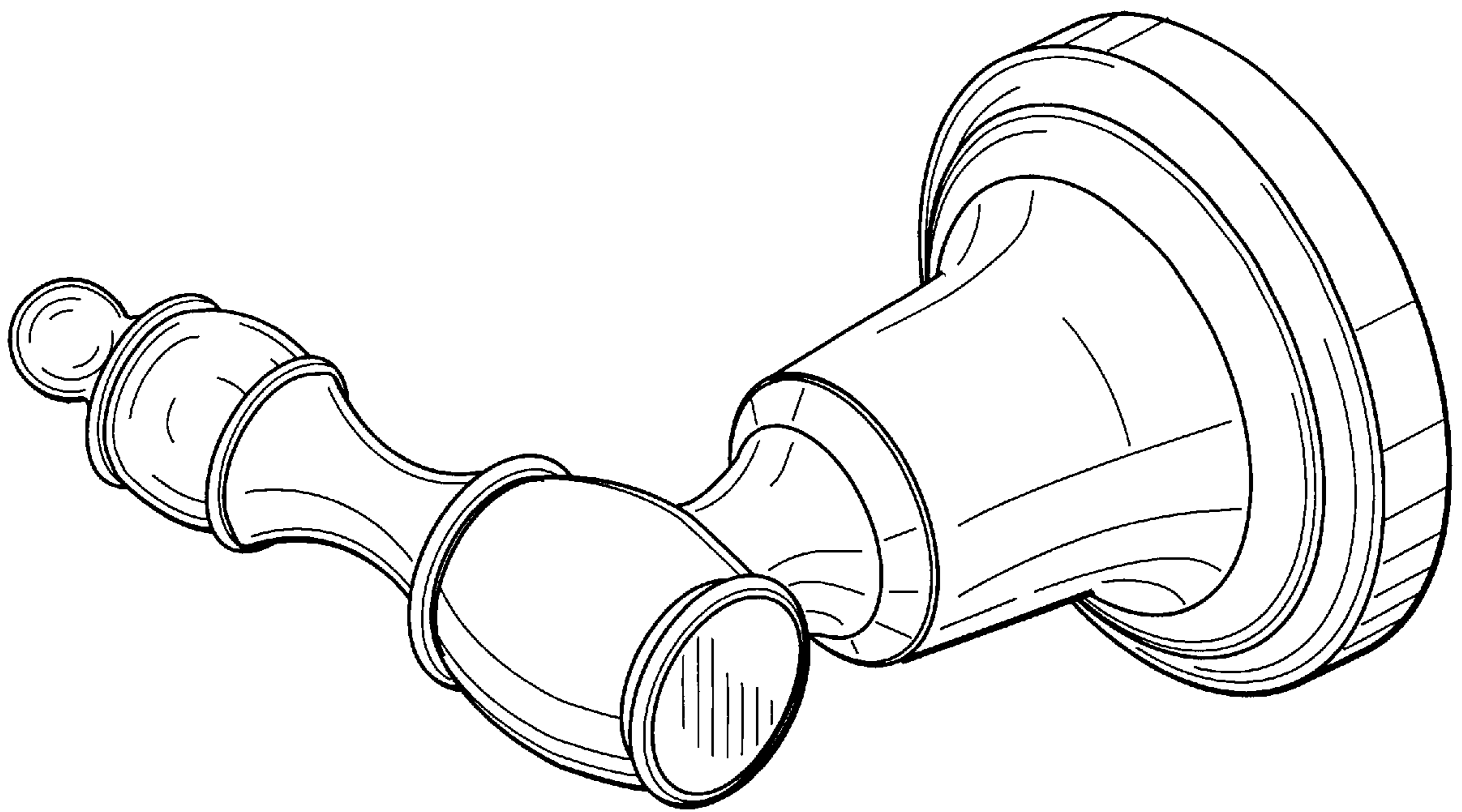


FIG. 1

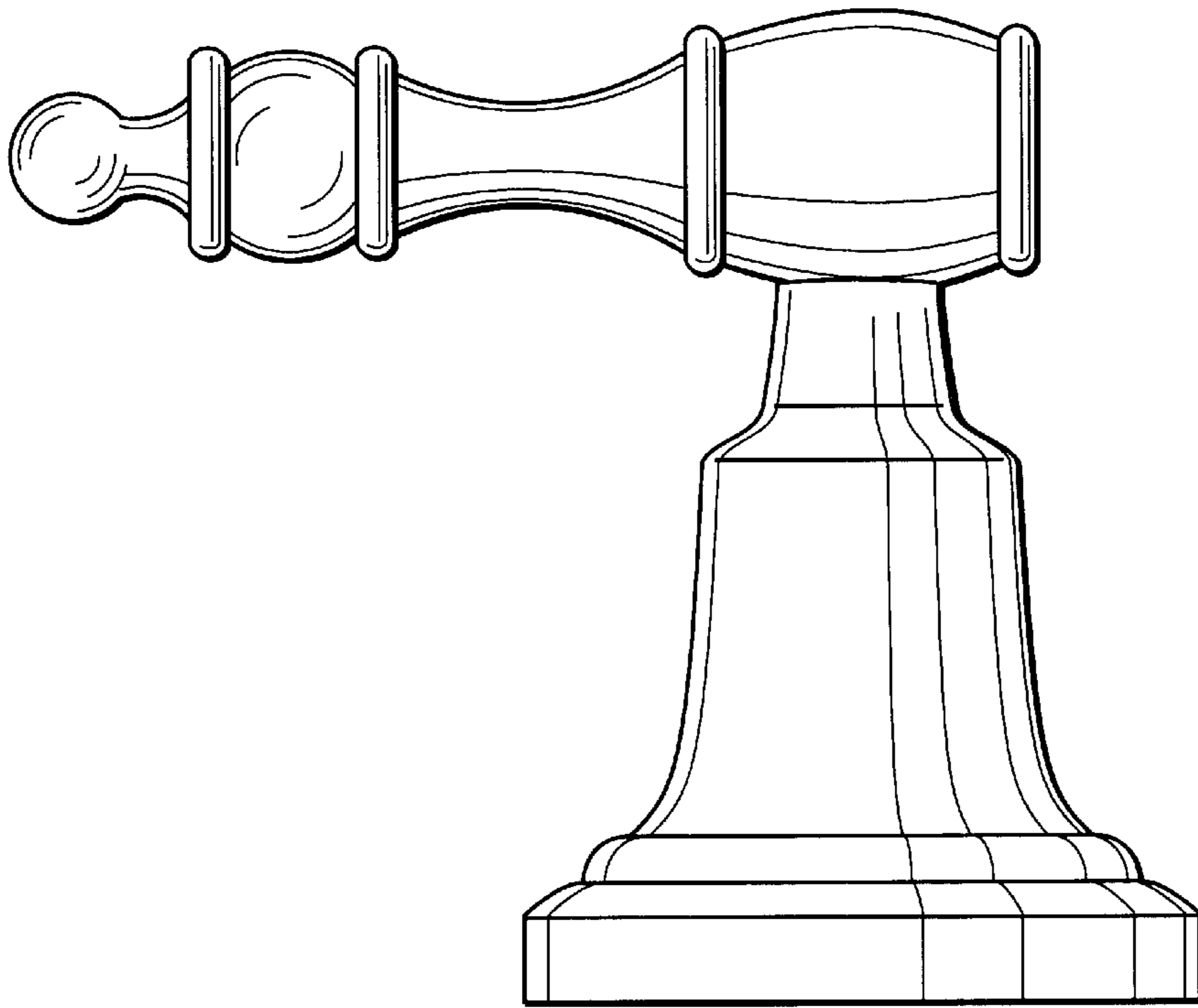


FIG. 2

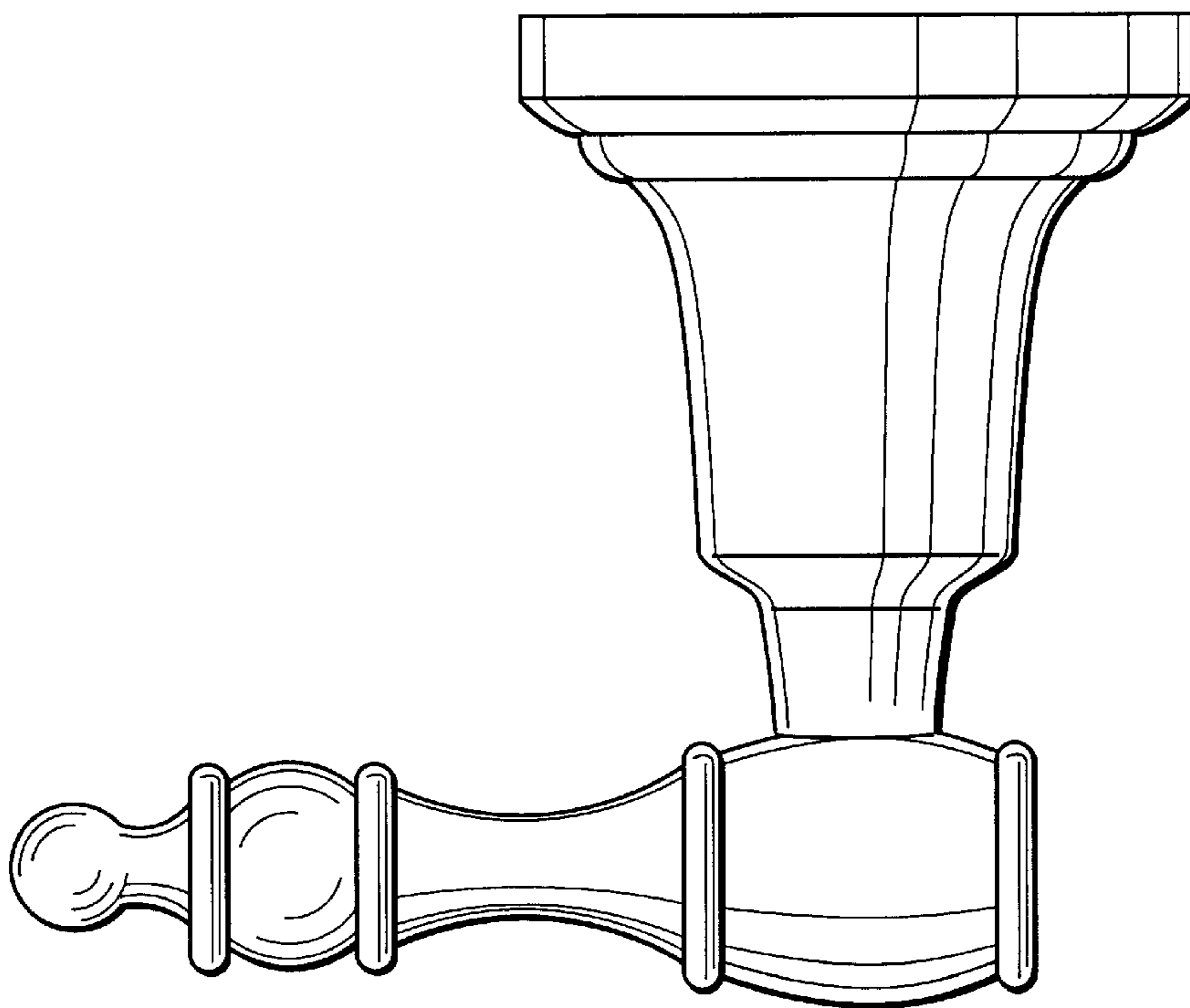


FIG. 3

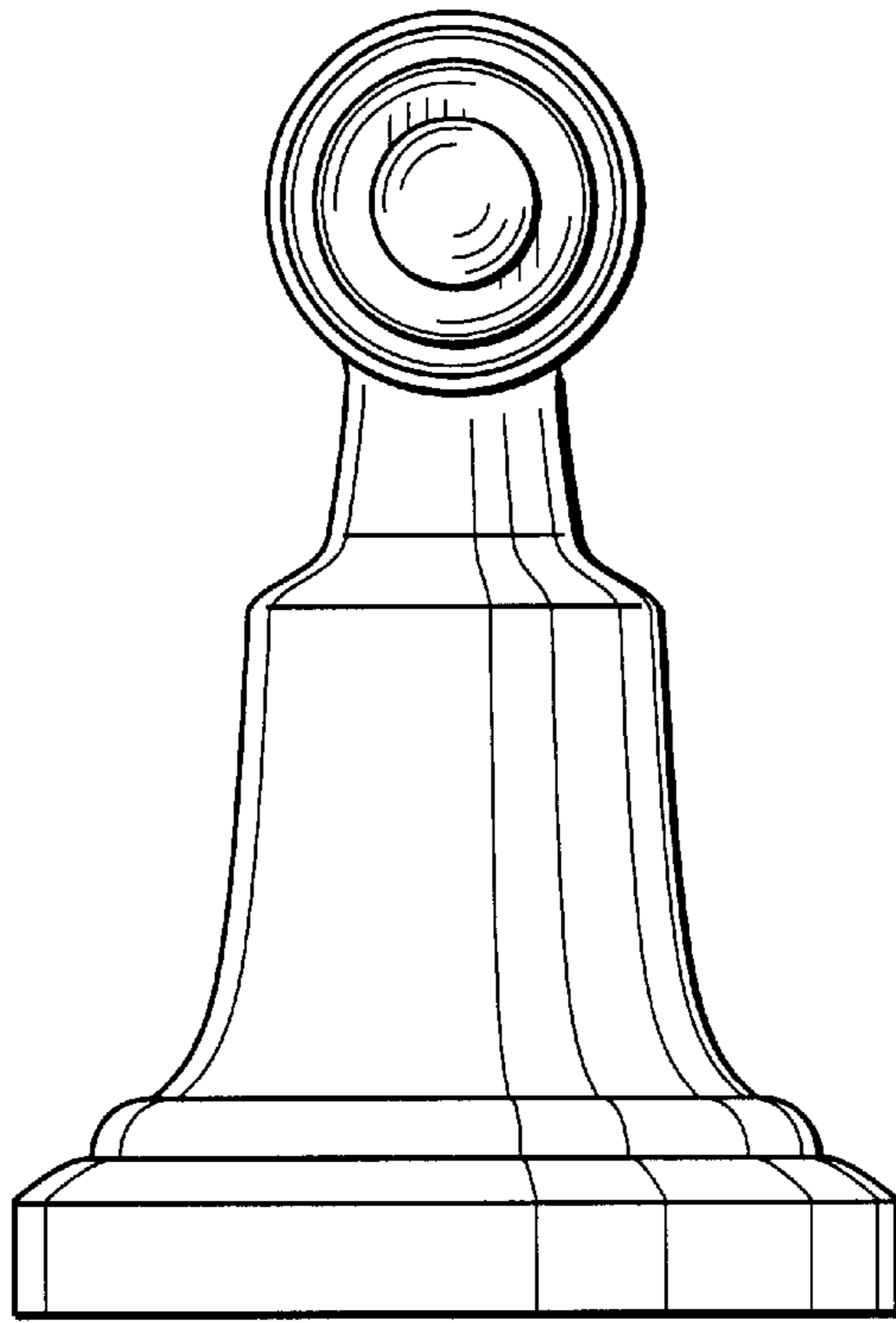


FIG. 4

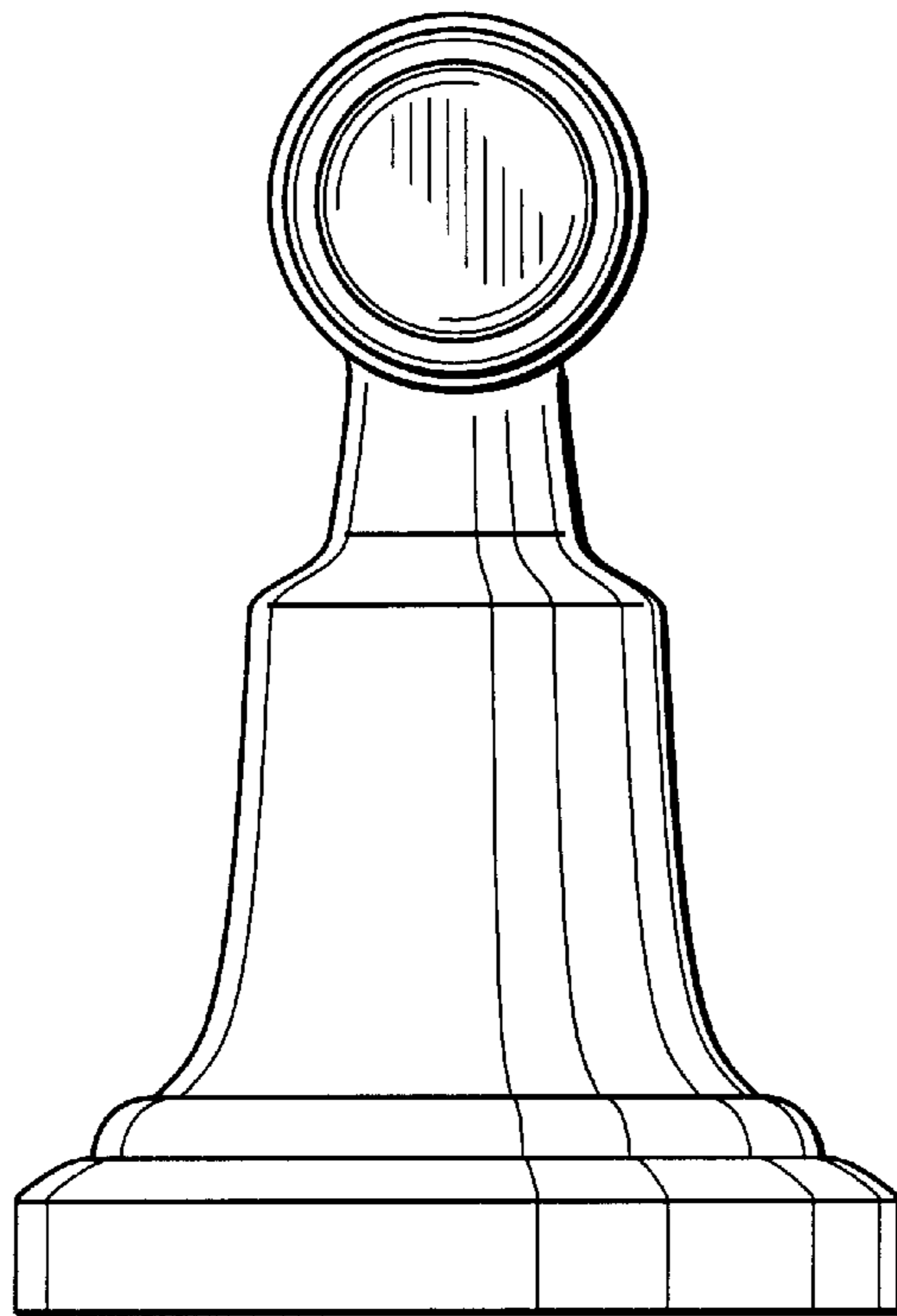


FIG. 5

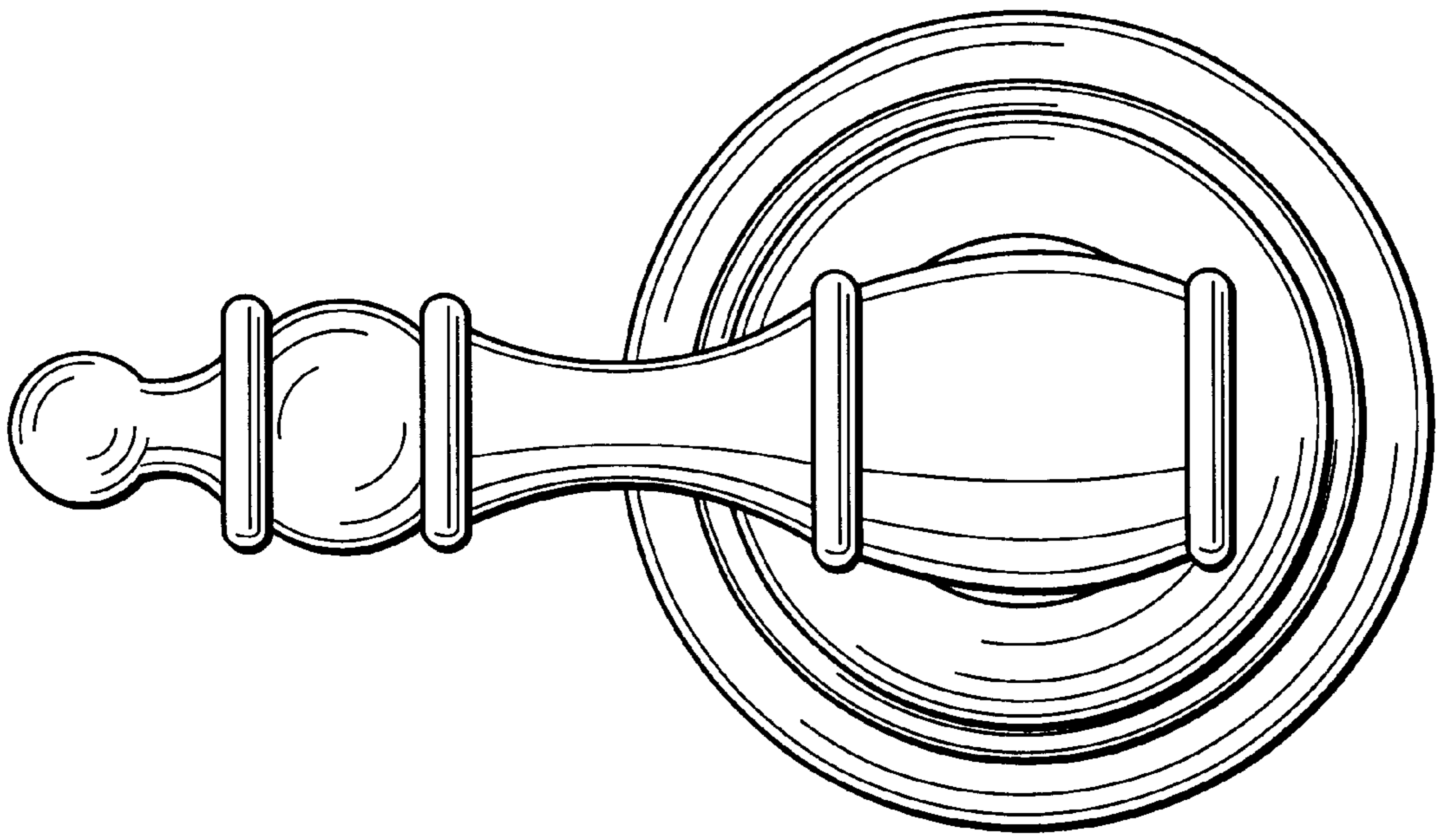


FIG. 6

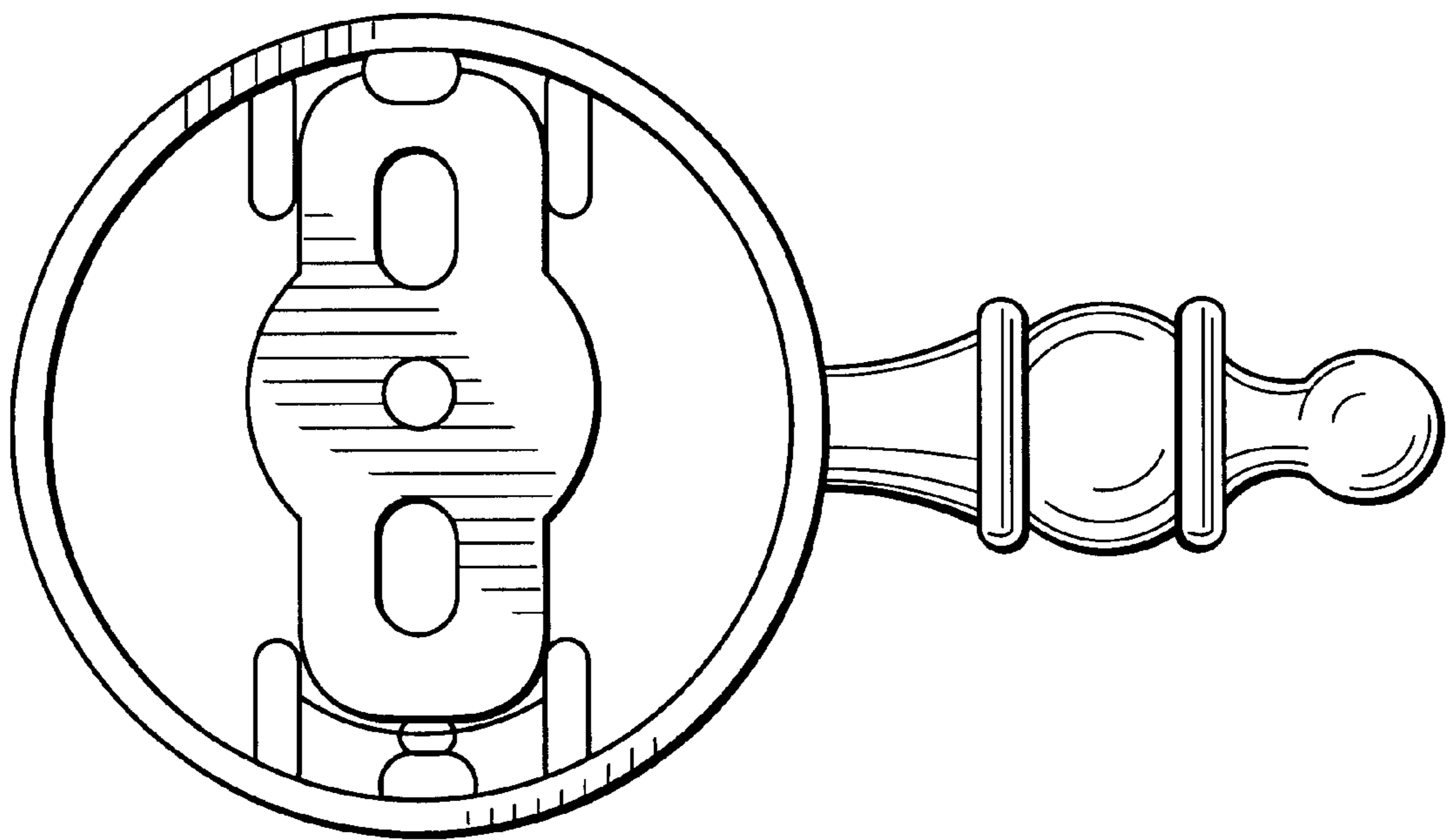


FIG. 7