



US00D466348S

(12) **United States Design Patent**
Yen

(10) **Patent No.:** **US D466,348 S**

(45) **Date of Patent:** **** Dec. 3, 2002**

(54) **TOWEL BAR POST**

(76) **Inventor:** **Kuo-Chi Yen**, No. 310, Wenshinnan 6th
Rd., Nantuen Chiu, Taichung (TW)

(**) **Term:** **14 Years**

(21) **Appl. No.:** **29/150,351**

(22) **Filed:** **Nov. 20, 2001**

(51) **LOC (7) Cl.** **06-04**

(52) **U.S. Cl.** **D6/550**

(58) **Field of Search** D6/546-50, 518,
D6/522-24; D8/300, 307-308, 315-20;
108/29; 211/13.1, 16, 60.1, 86.01, 87.01,
88.04, 105.1-105.2, 106, 123, 181.1; 242/570,
588-90, 597-98; 248/49, 175, 200.01, 205.1,
214, 251-54, 261, 302, 304, 309.1, 314-17

(56) **References Cited**

U.S. PATENT DOCUMENTS

2,542,941	A	*	2/1951	Post	248/205.1
D259,753	S	*	7/1981	Fleischmann et al.	D6/549
D318,590	S	*	7/1991	McKeone	D6/524
D328,215	S	*	7/1992	McKeone	D6/524
D337,014	S		7/1993	Wang	D6/550
D377,570	S		1/1997	Sharpe	D6/524
D390,397	S		2/1998	Chen	D6/550
D408,669	S		4/1999	Kuo	D6/550

D409,029	S		5/1999	Harris	D6/524
D417,112	S		11/1999	Chen	D6/546
D417,995	S	*	12/1999	Chen	D6/550
D424,354	S		5/2000	Duggan	D6/550
D427,471	S	*	7/2000	Chen	D6/549
D442,407	S	*	5/2001	Solowiej	D6/524
D449,949	S	*	11/2001	Hsieh	D6/524
D452,400	S	*	12/2001	Chen	D6/524
D454,457	S	*	3/2002	Ou-Young	D6/546
D455,588	S	*	4/2002	Ou-Young	D6/523

* cited by examiner

Primary Examiner—Brian N. Vinson

(74) *Attorney, Agent, or Firm*—Brinks Hofer Gilson & Lione

(57) **CLAIM**

The ornamental design for a towel bar post, as shown and described.

DESCRIPTION

FIG. 1 is a perspective view showing my new design.

FIG. 2 is a bottom elevational view thereof.

FIG. 3 is a top elevational view thereof.

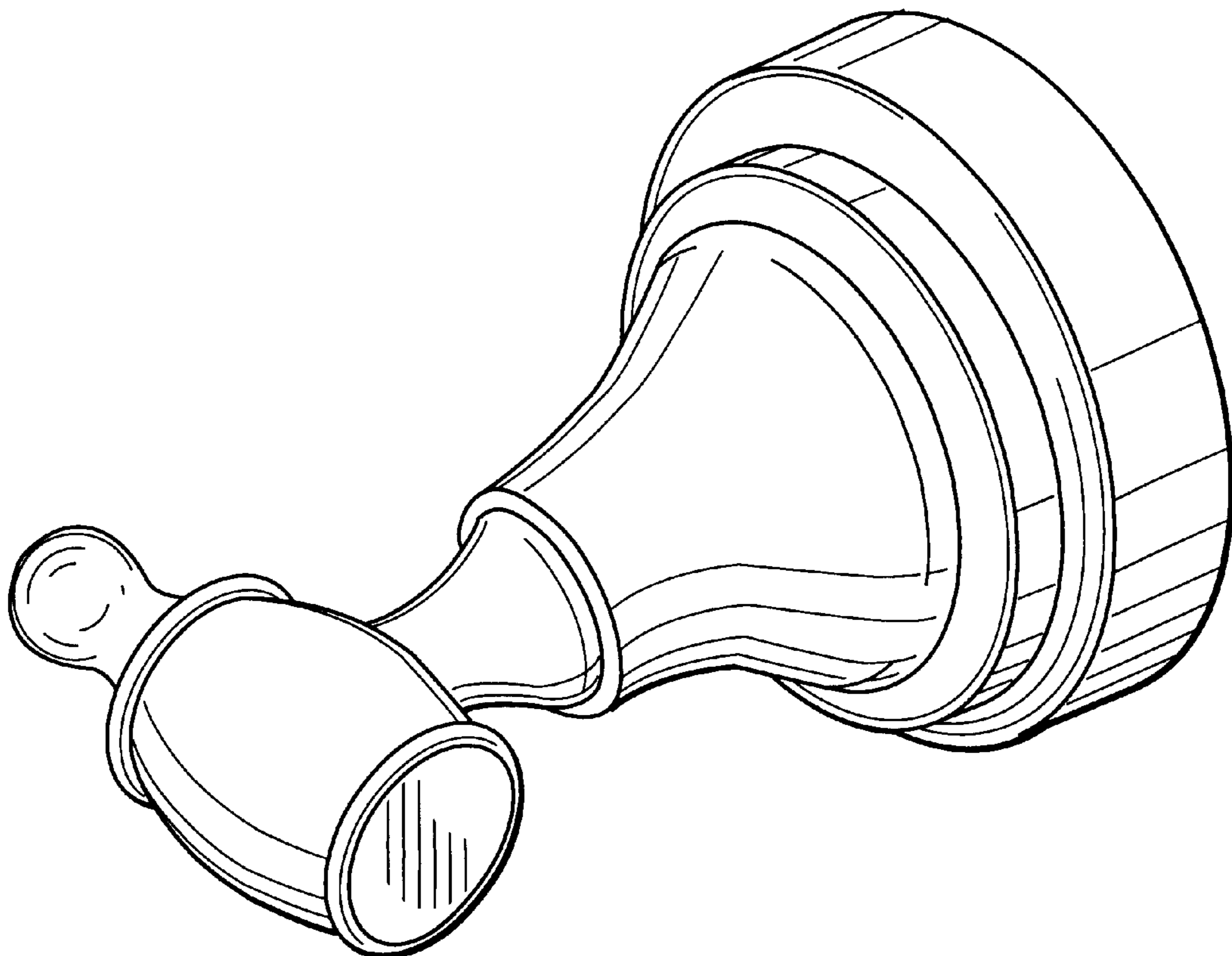
FIG. 4 is a left elevational view thereof.

FIG. 5 is a right elevational view thereof.

FIG. 6 is a front elevational view thereof; and,

FIG. 7 is a rear elevational view thereof.

1 Claim, 4 Drawing Sheets



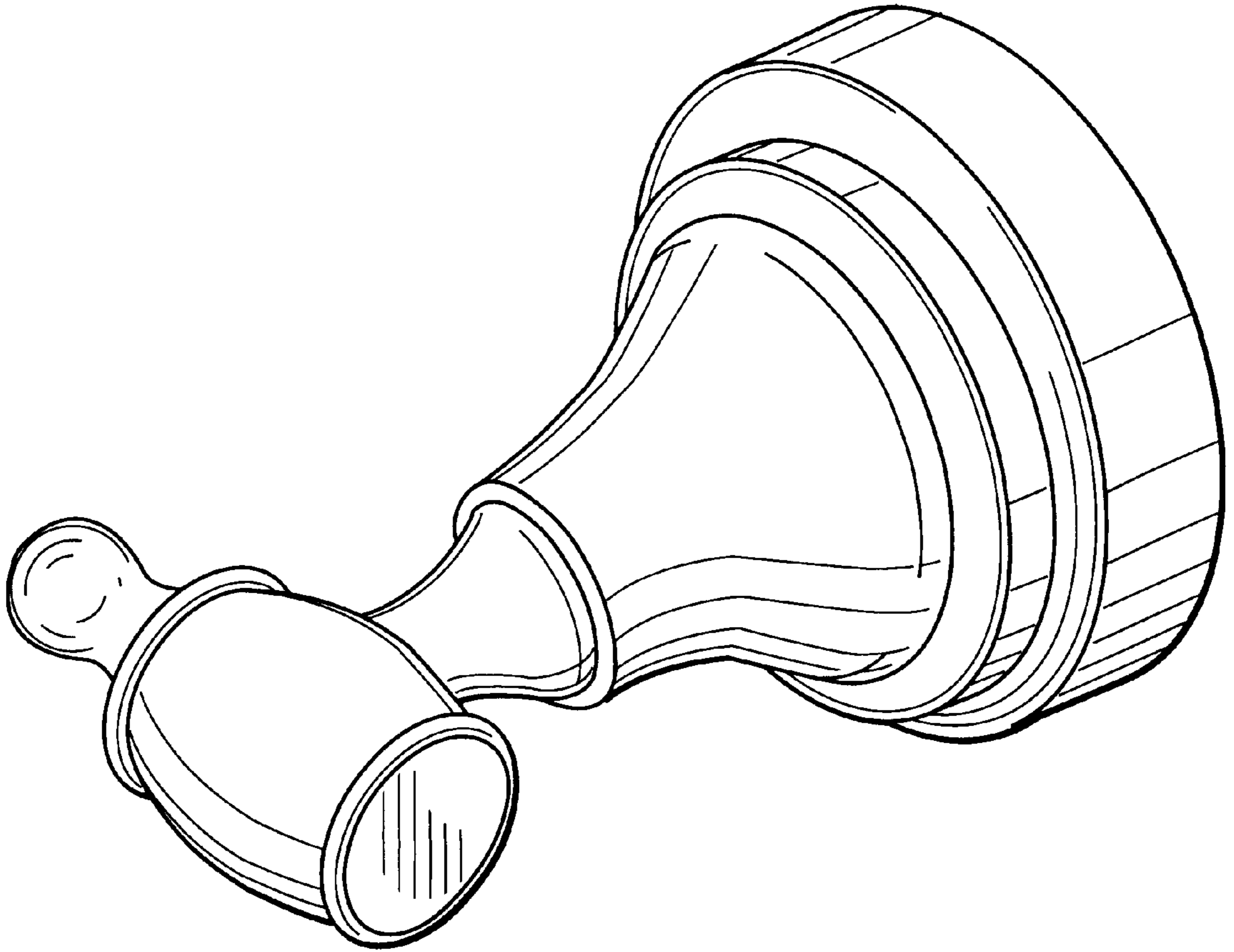


FIG. 1

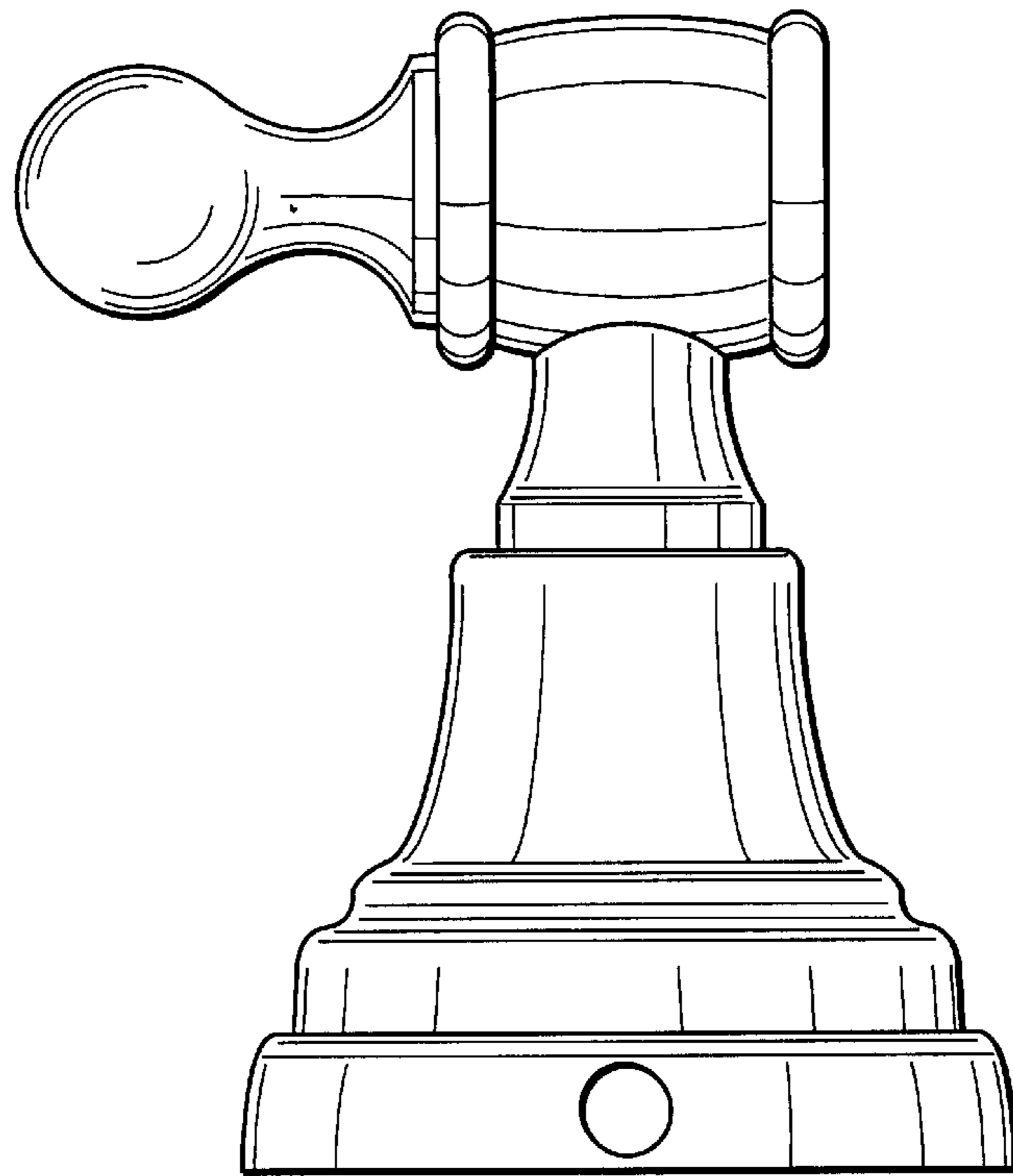


FIG. 2

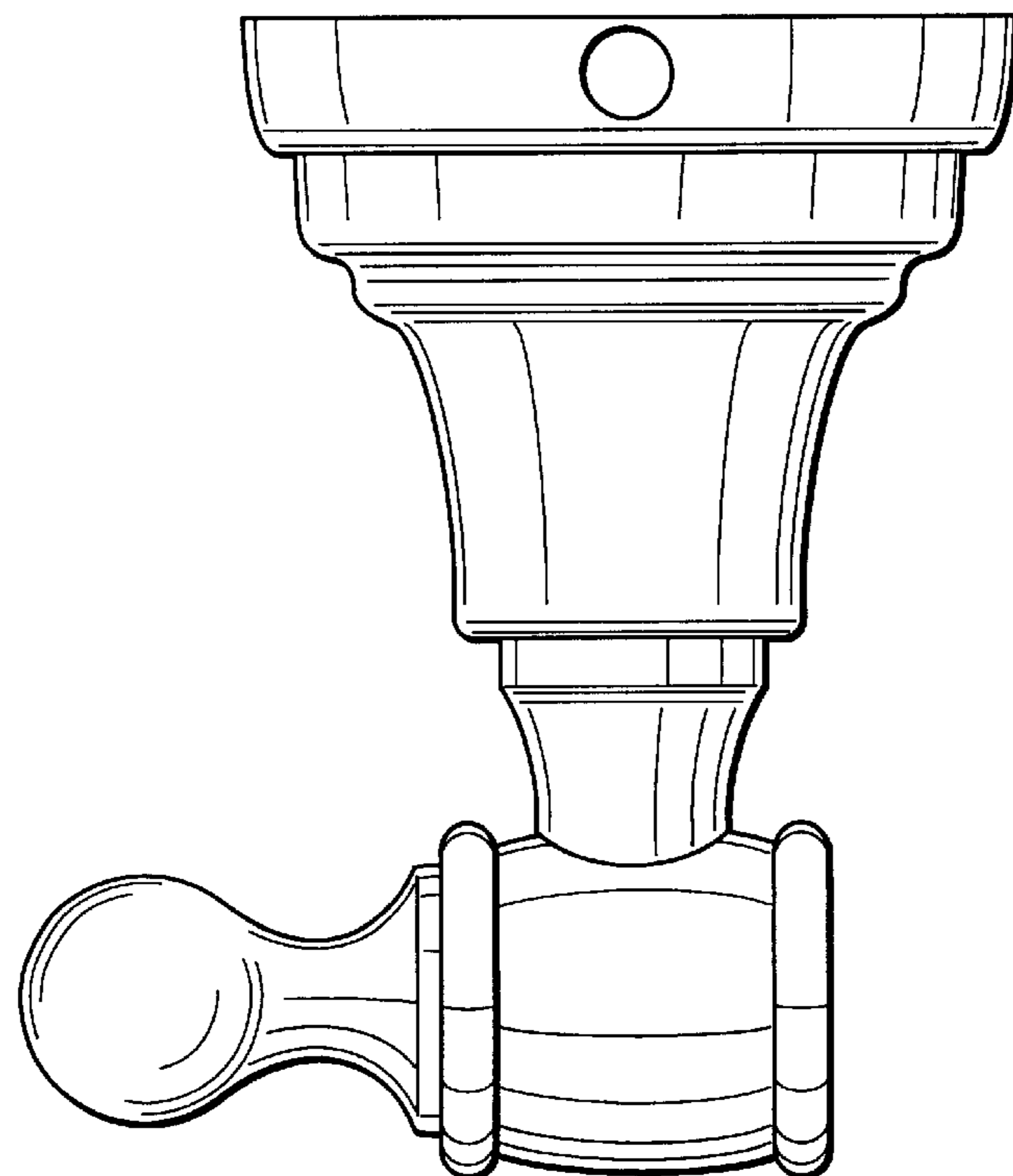


FIG. 3

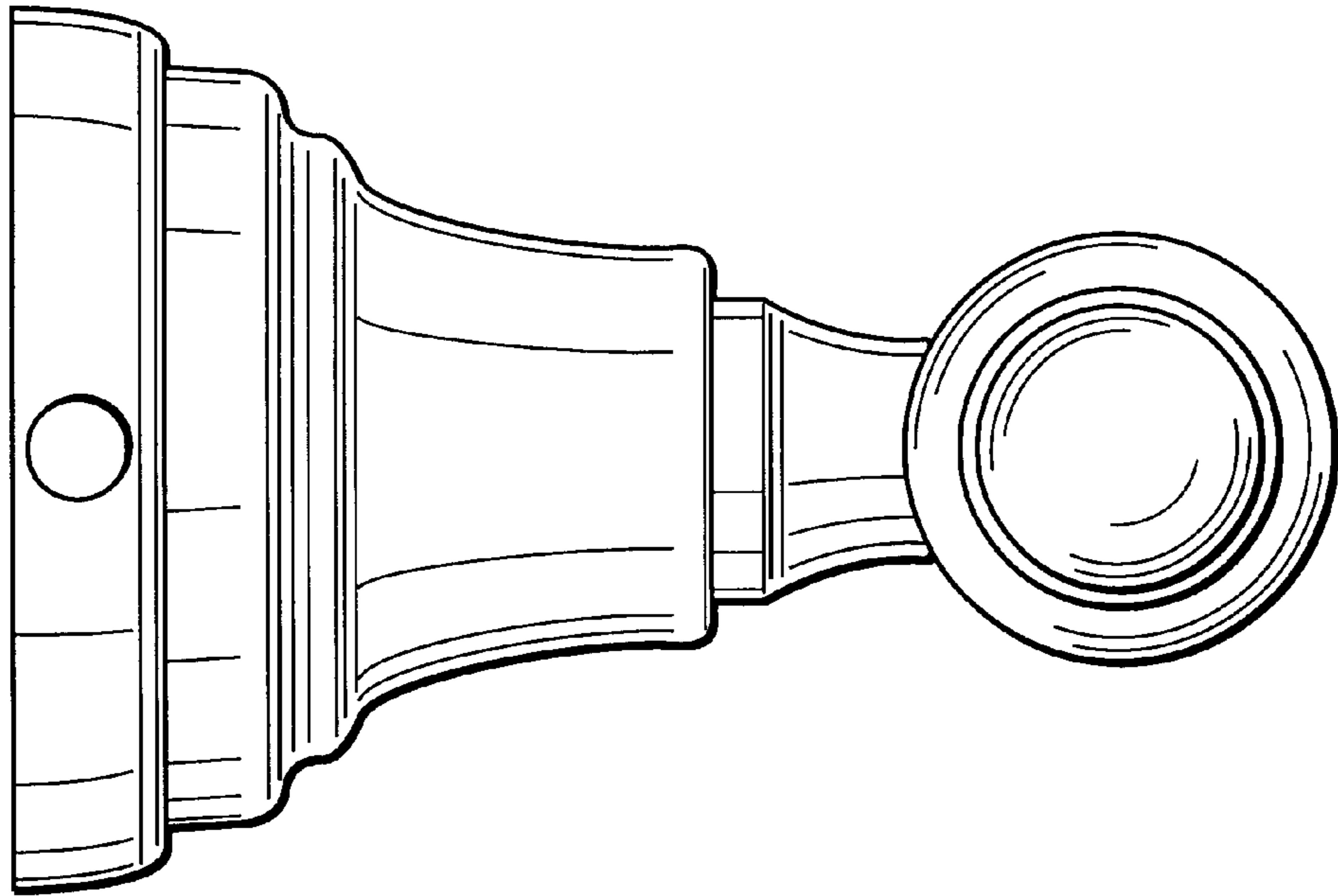


FIG. 4

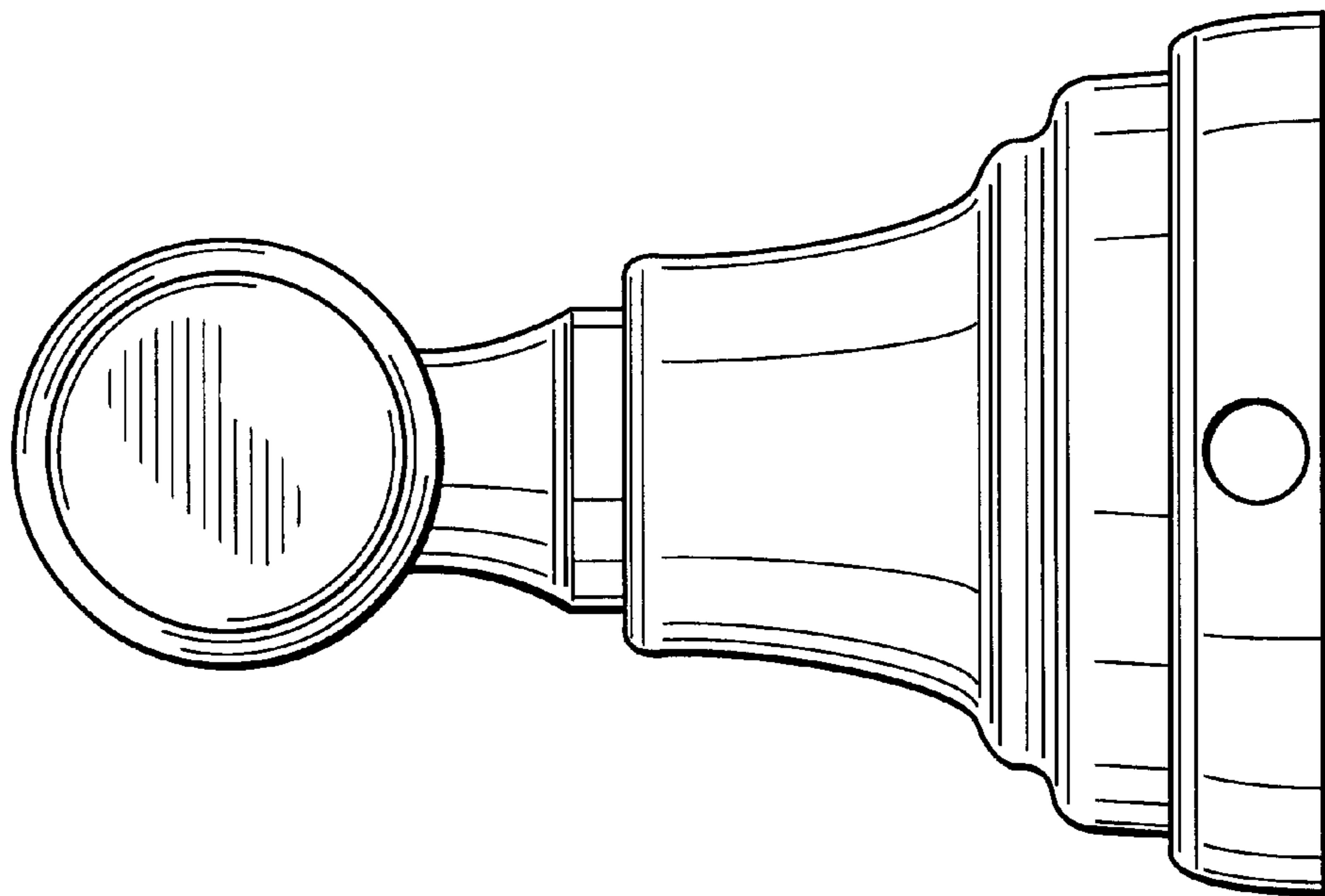


FIG. 5

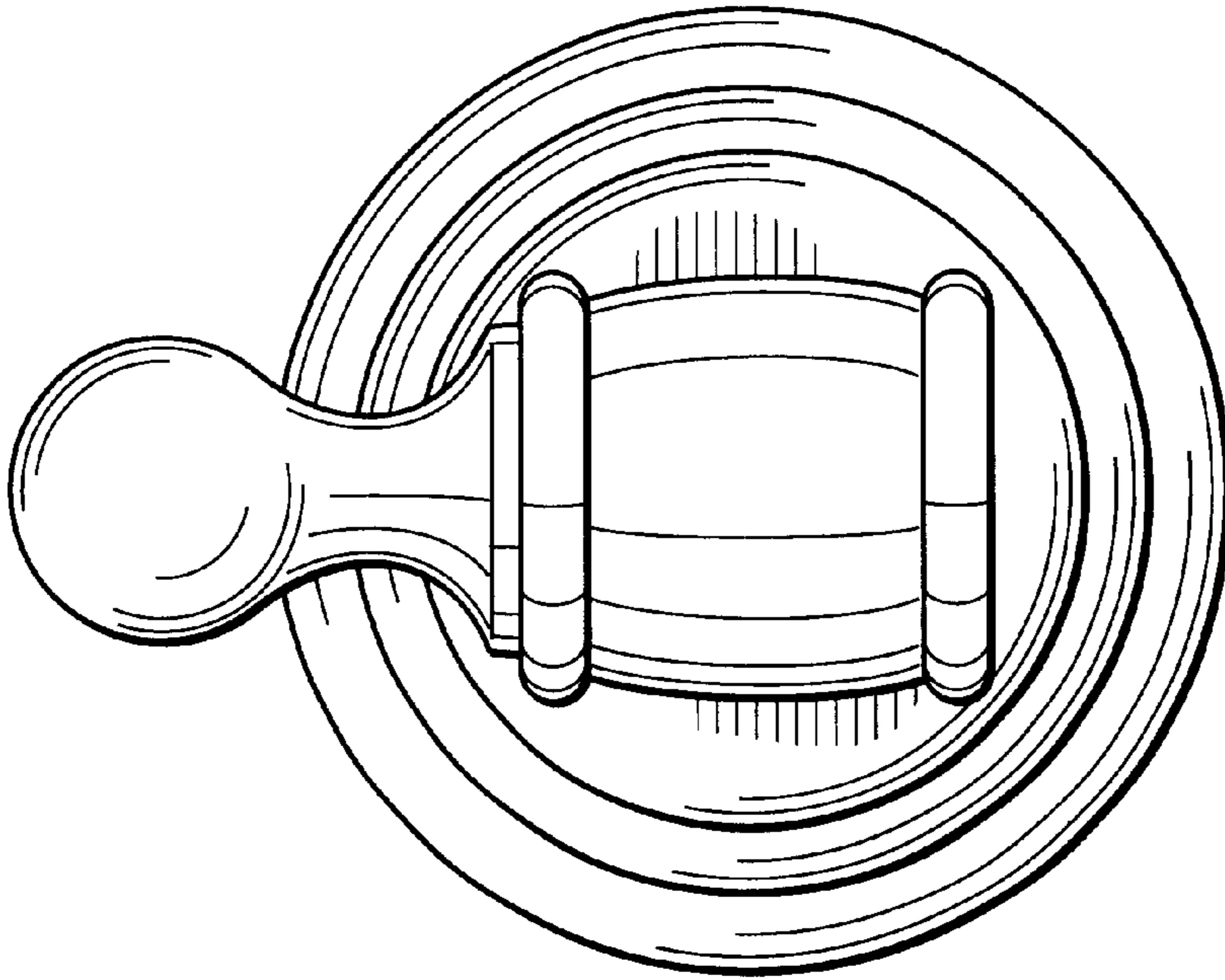


FIG. 6

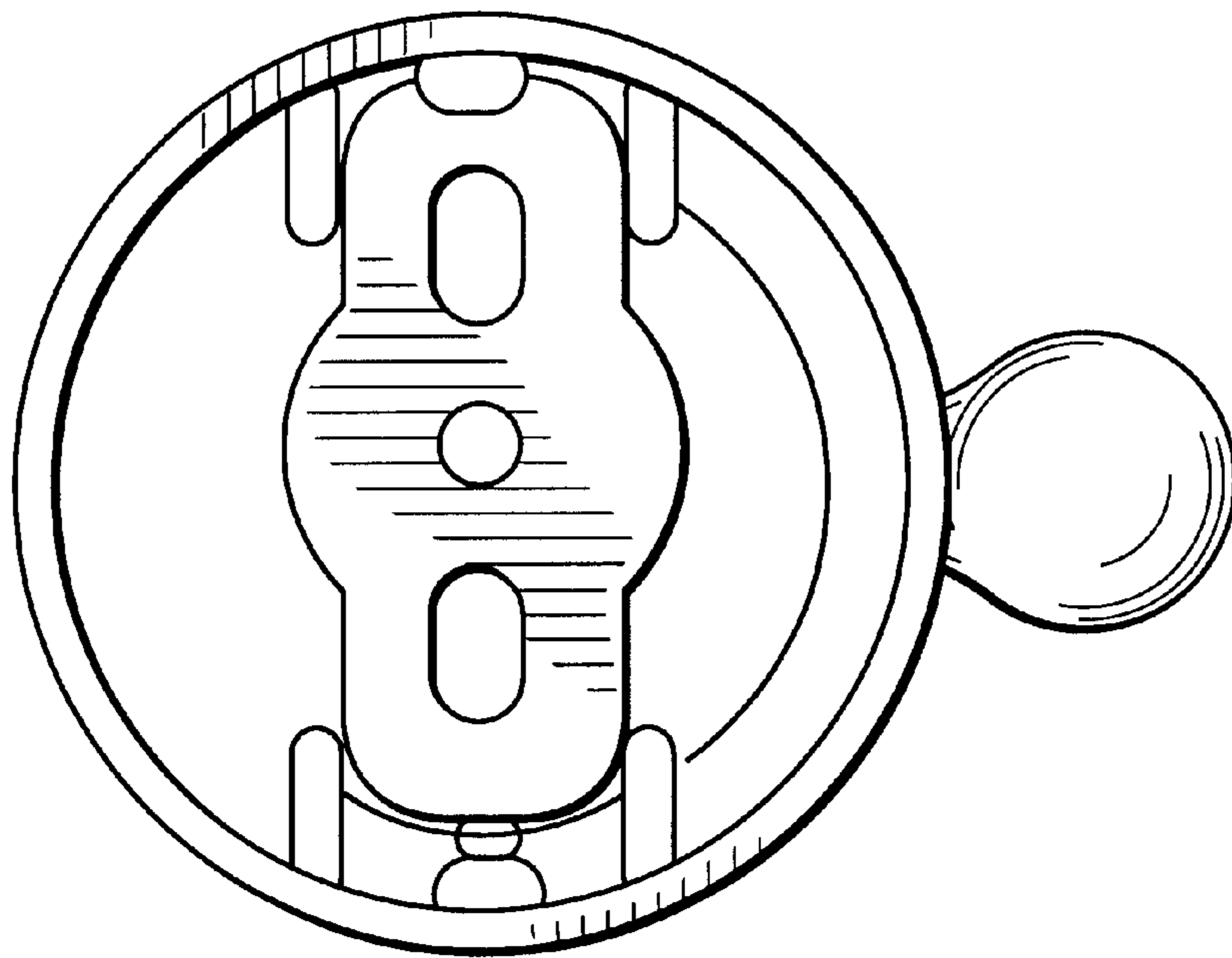


FIG. 7