



US00D466340S

(12) **United States Design Patent**
Diaz-Azcuy

(10) **Patent No.:** **US D466,340 S**

(45) **Date of Patent:** **** Dec. 3, 2002**

(54) **TABLE BASE**

(75) **Inventor:** **Orlando Diaz-Azcuy**, San Francisco, CA (US)

(73) **Assignee:** **McGuire Furniture Company, Inc.**, San Francisco, CA (US)

(**) **Term:** **14 Years**

(21) **Appl. No.:** **29/139,278**

(22) **Filed:** **Mar. 27, 2001**

(51) **LOC (7) Cl.** **06-06**

(52) **U.S. Cl.** **D6/495**

(58) **Field of Search** D6/480-489, 495;
108/150, 151, 153.1, 155, 161; 248/188,
188.1

(56) **References Cited**

U.S. PATENT DOCUMENTS

D44,441 S * 8/1913 Frazer D6/451

D298,196 S * 10/1988 Cionini D6/486

D389,676 S 1/1998 Diaz-Azcuy

D390,049 S 2/1998 Diaz-Azcuy

D431,132 S * 9/2000 Lewis D6/486

* cited by examiner

Primary Examiner—Janice E. Seeger

(74) *Attorney, Agent, or Firm*—Merchant & Gould P.C.

(57) **CLAIM**

The ornamental design for a table base, as shown and described.

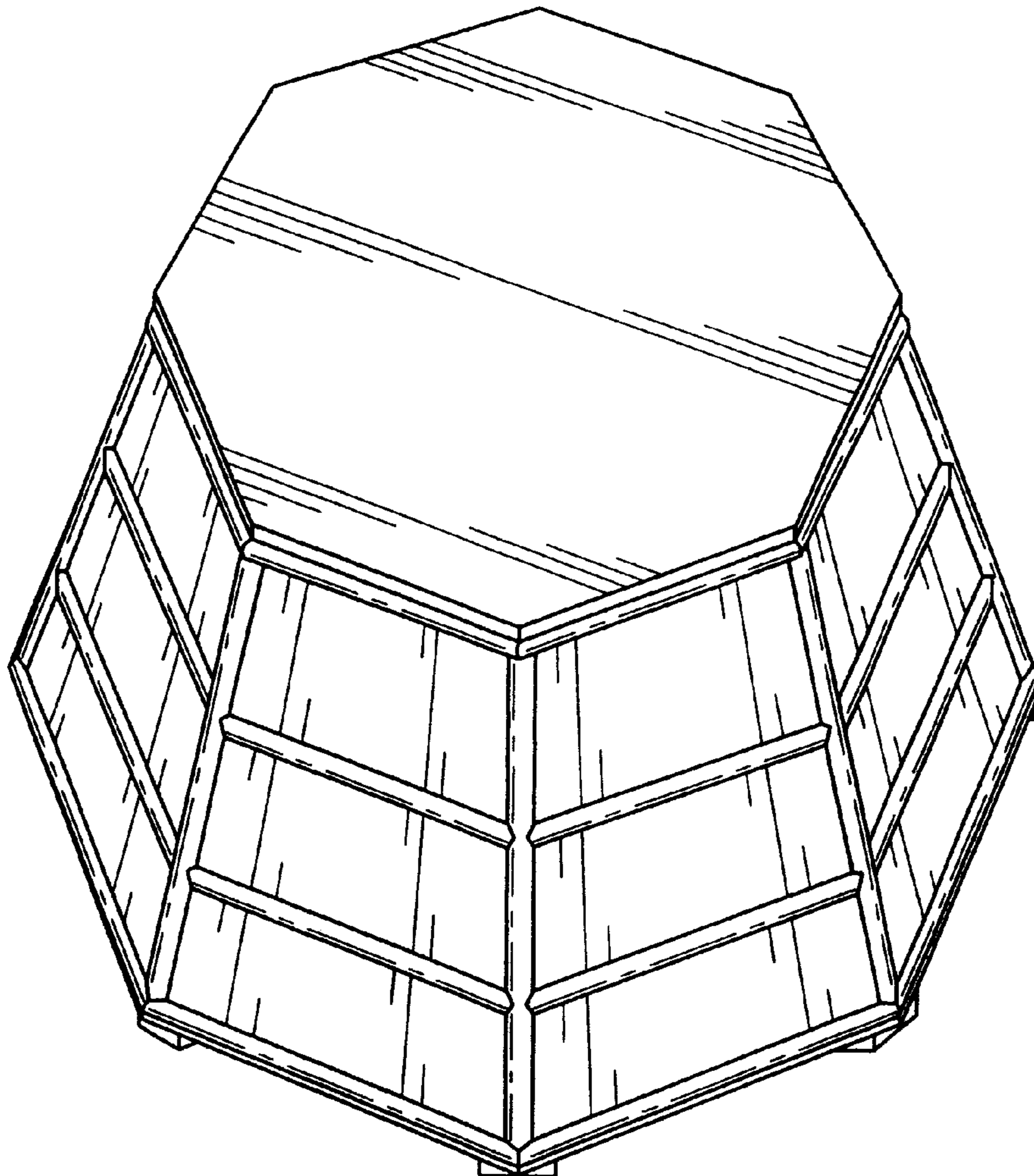
DESCRIPTION

FIG. 1 is a perspective view of a table base according to the principles of the present invention;

FIG. 2 shows a top plan view thereof; and,

FIG. 3 shows an elevational view thereof.

1 Claim, 3 Drawing Sheets



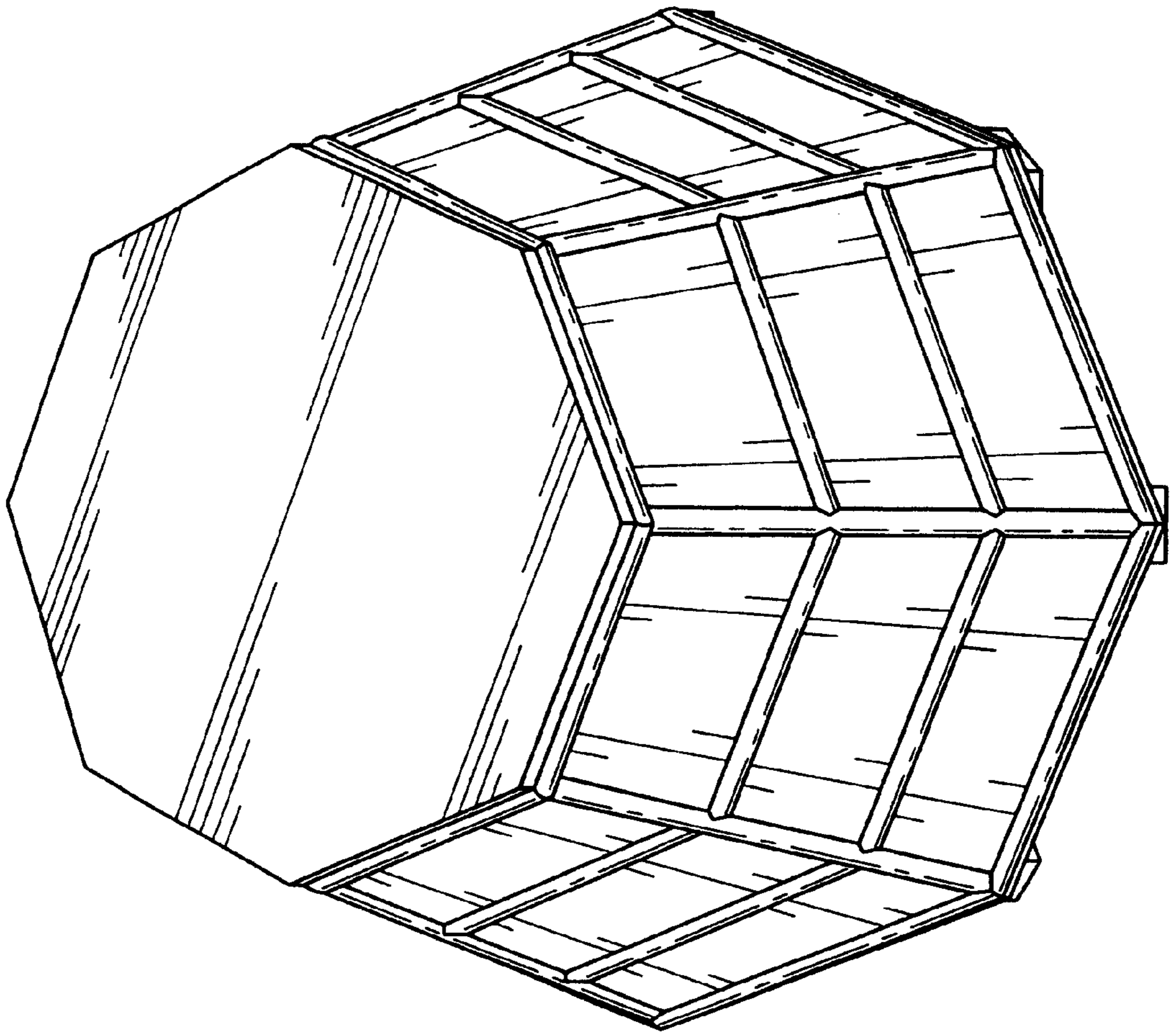


FIG. 1

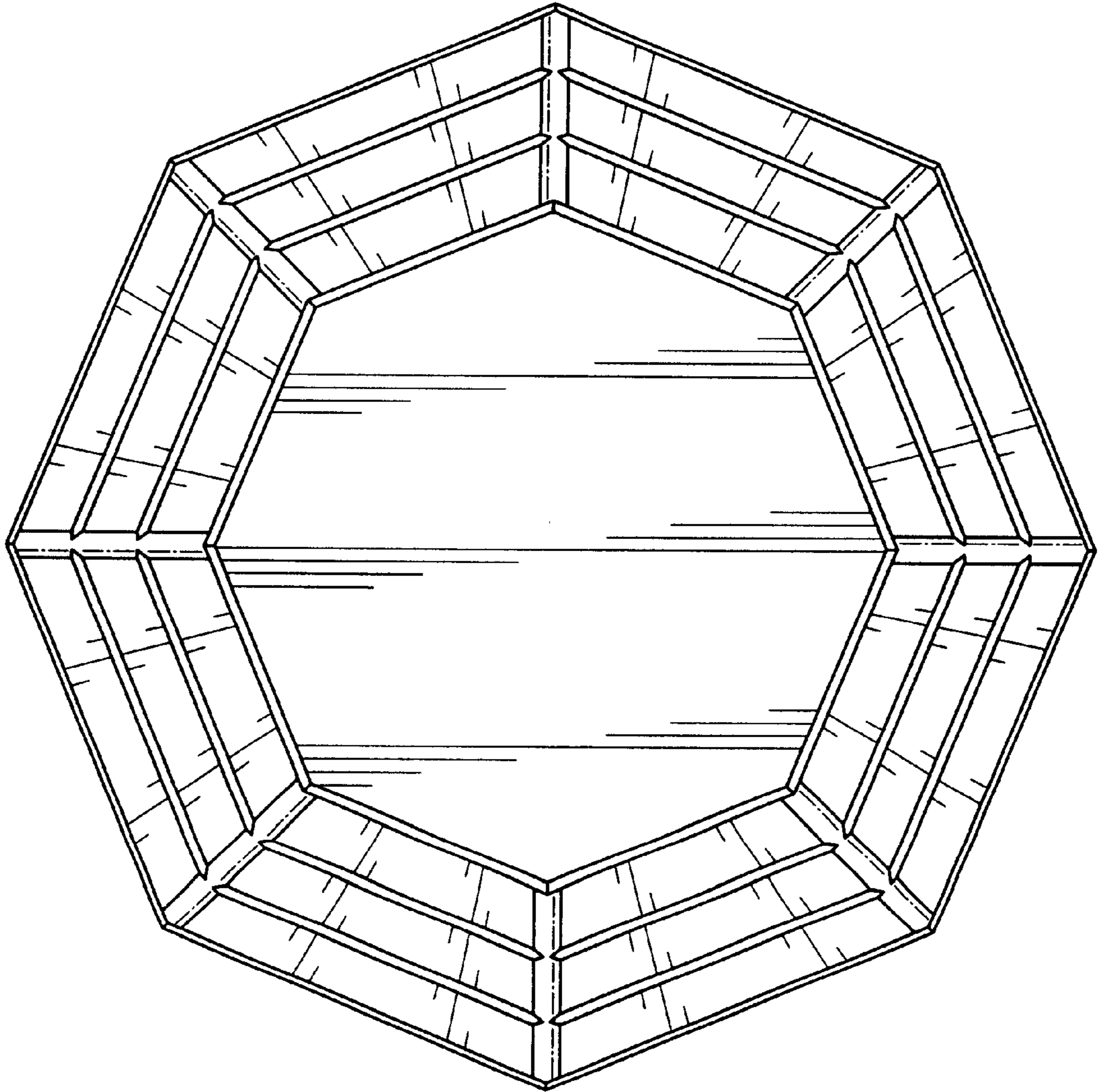


FIG. 2

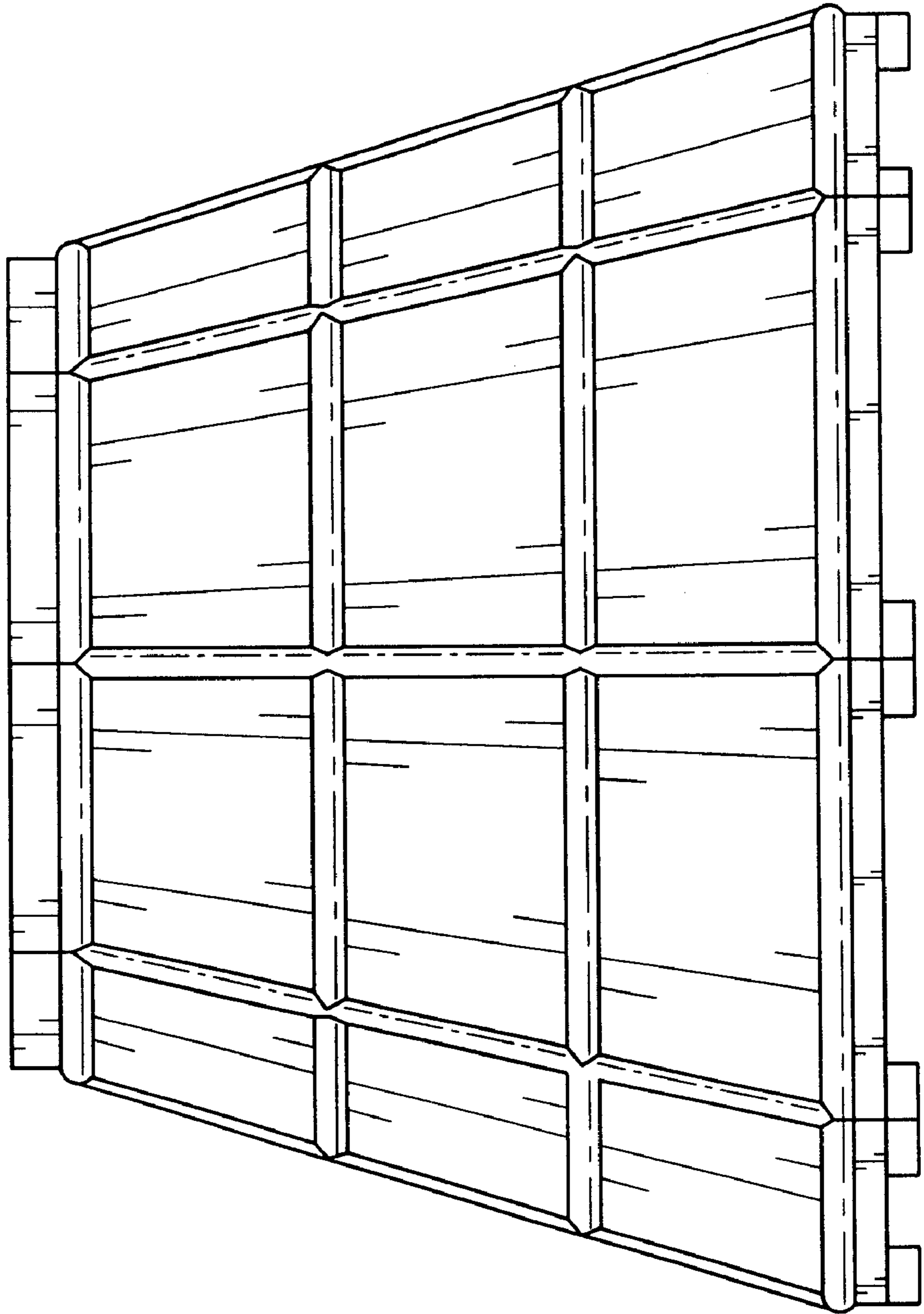


FIG. 3