



US00D466338S

(12) **United States Design Patent**
Peller et al.

(10) **Patent No.:** **US D466,338 S**
(45) **Date of Patent:** **** Dec. 3, 2002**

(54) **TABLE BASE WITH REMOVABLE TABLE TOP**

(75) Inventors: **Howard Peller**, Roseville, OH (US);
Dennis Mozena, Zanesville, OH (US)

(73) Assignee: **The Longaberger Company**, Newark, OH (US)

(**) Term: **14 Years**

(21) Appl. No.: **29/145,713**

(22) Filed: **Jul. 27, 2001**

(51) **LOC (7) Cl.** **06-03**

(52) **U.S. Cl.** **D6/487; D6/465**

(58) **Field of Search** D6/480-489, 495-499;
108/150, 151, 153.1, 156, 157.1, 161; 248/188,
188.1, 188.8

(56) **References Cited**

U.S. PATENT DOCUMENTS

- D316,349 S * 4/1991 Kee D6/487
- D406,477 S * 3/1999 Walters-Dowding et al. D6/464
- D409,420 S * 5/1999 Walters-Dowding et al. D6/499

OTHER PUBLICATIONS

Thomasville Rendezvous, Apr. 1996, p. 13, end table.*

* cited by examiner

Primary Examiner—Janice E. Seeger

(74) *Attorney, Agent, or Firm*—Porter, Wright, Morris & Arthur LLP

(57) **CLAIM**

The ornamental design of table base with removable table top, as shown and described.

DESCRIPTION

FIG. 1 is a perspective view of the table base with removable table top shown without a top for convenience of illustration;

FIG. 2 is a side view thereof, the opposite side being identical thereto;

FIG. 3 is a front view, the rear being identical thereto;

FIG. 4 is a top view thereof;

FIG. 5 is a bottom view thereof;

FIG. 6 is an exploded perspective view of the table base of FIG. 1 with a removable table top;

FIG. 7 is a side view of the removable table top of FIG. 6, the other sides being identical thereto, shown without the base for convenience of illustration;

FIG. 8 is a top view thereof;

FIG. 9 is a bottom view thereof;

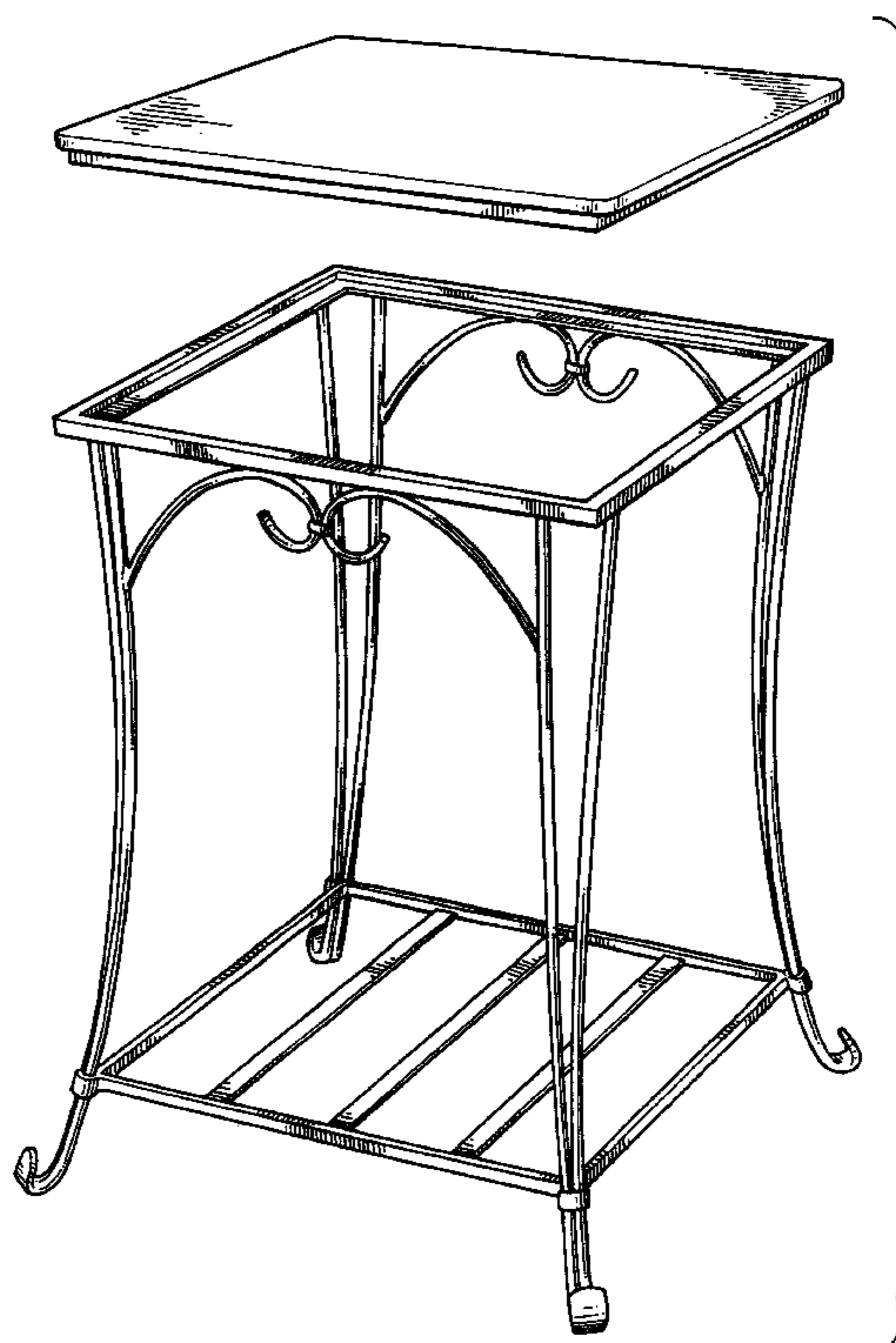
FIG. 10 is an exploded perspective view of the table base of FIG. 1 with a removable table top showing an alternate embodiment of our new design.

FIG. 11 is a side view of the removable table top of FIG. 10, the other sides being identical thereto, shown without the base for convenience of illustration;

FIG. 12 is a top view thereof; and,

FIG. 13 is a bottom view thereof.

1 Claim, 10 Drawing Sheets



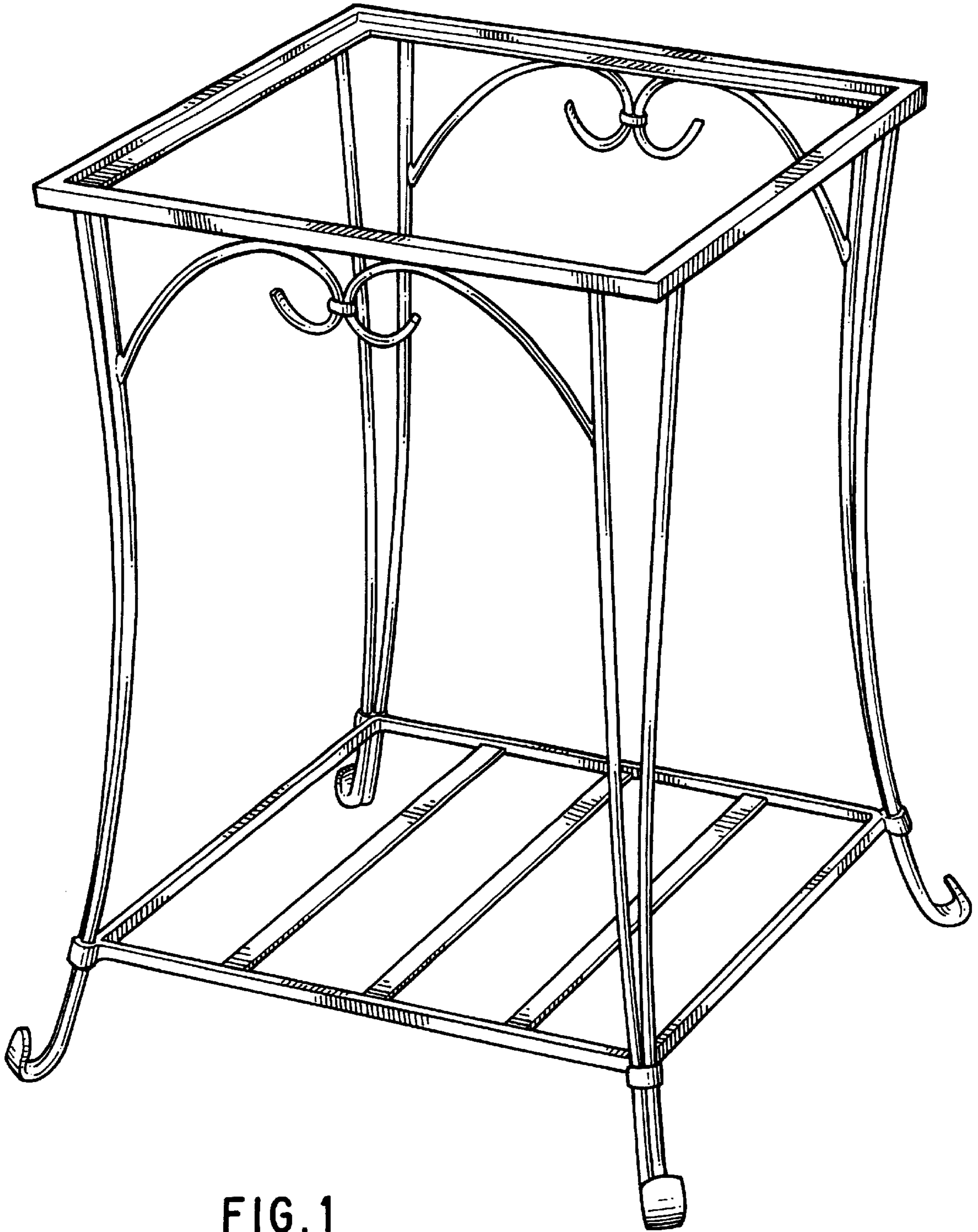


FIG. 1

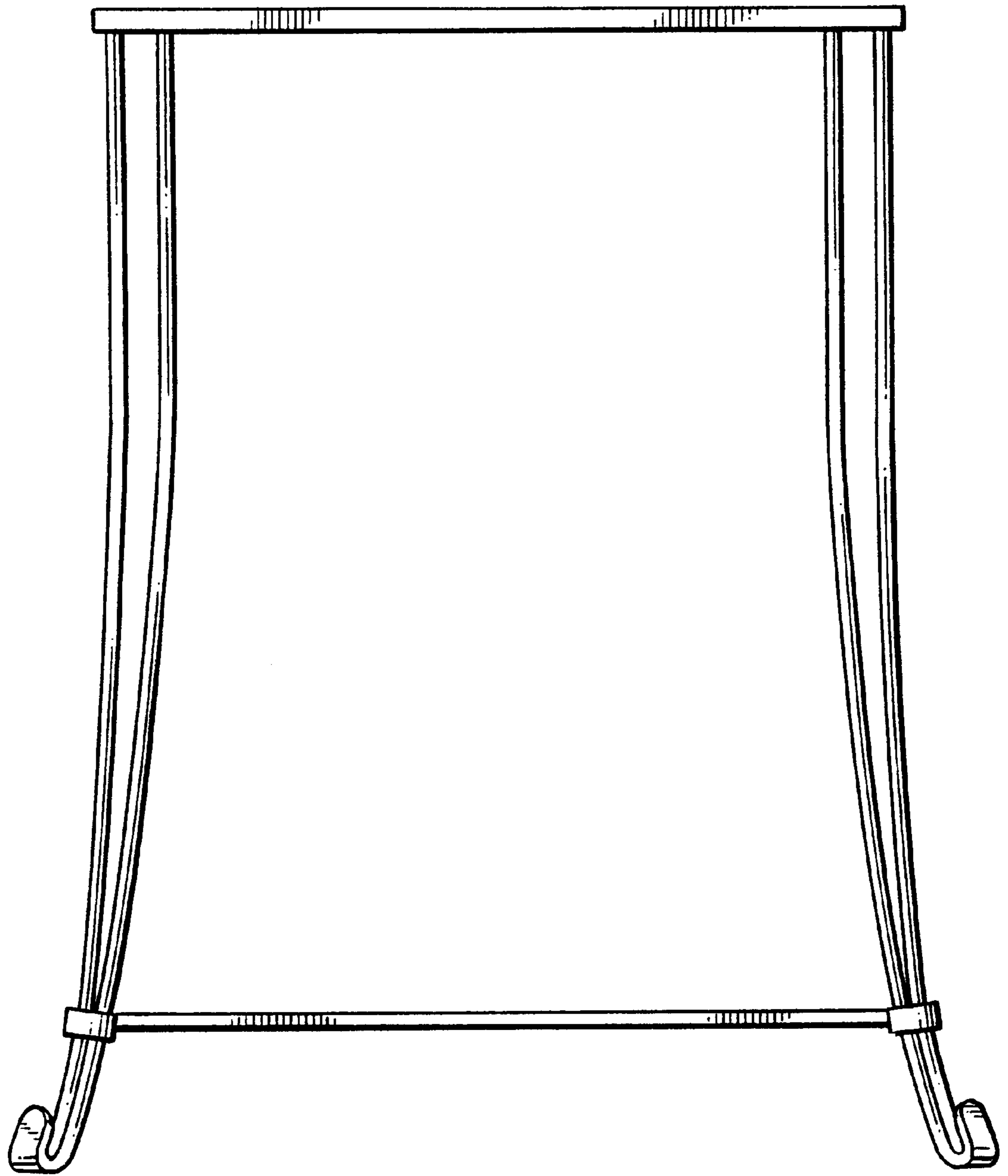


FIG. 2

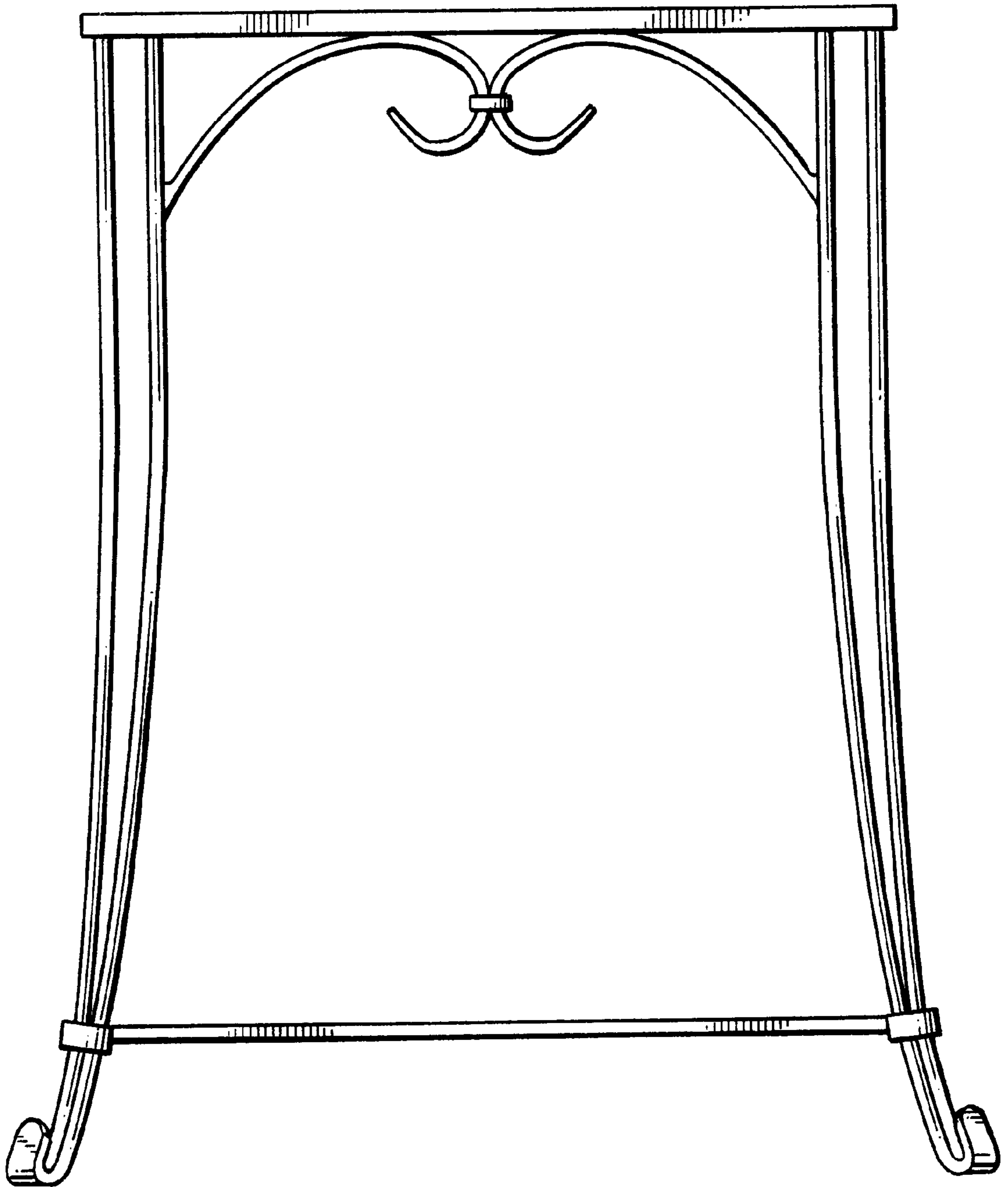


FIG. 3

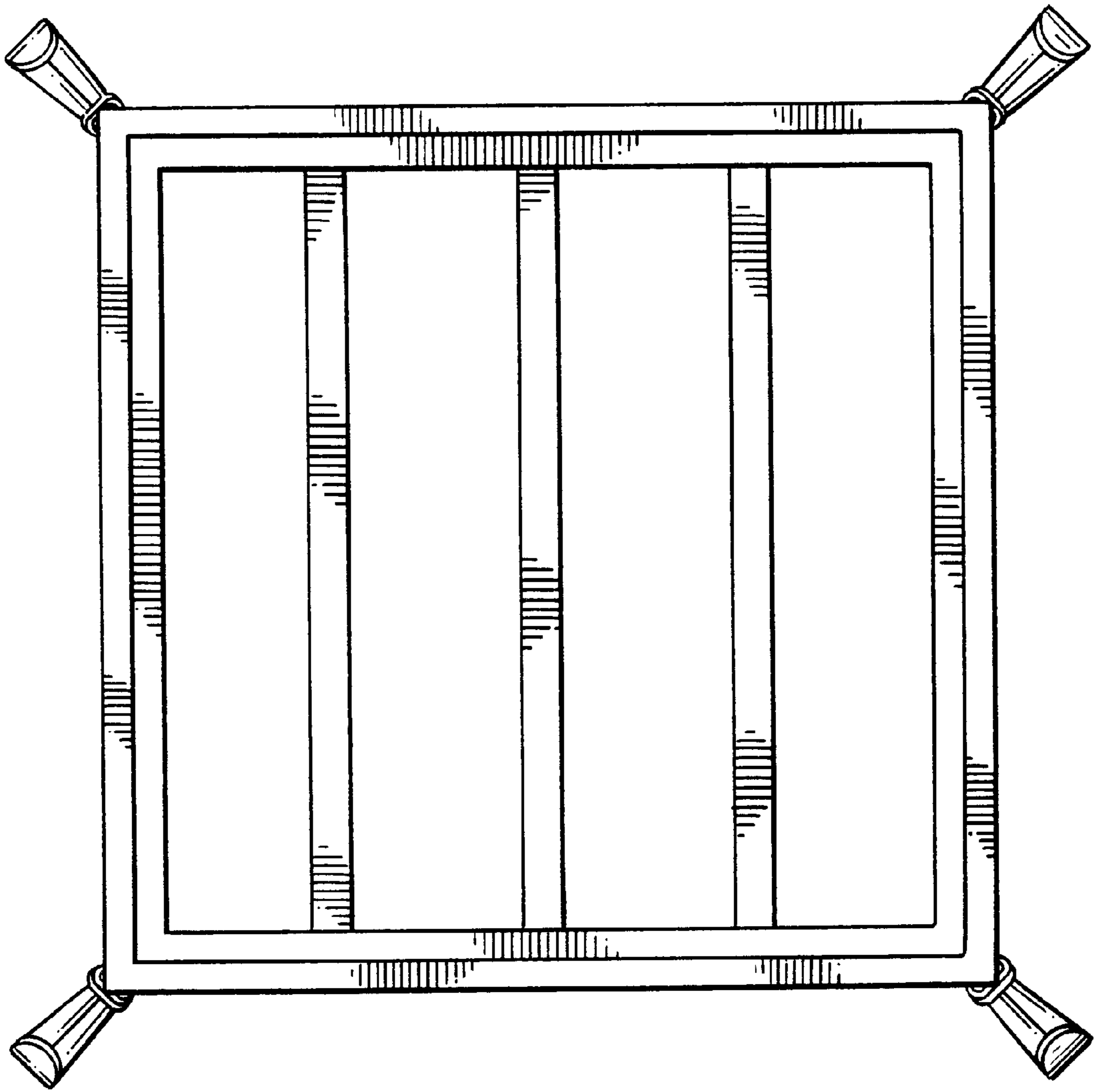


FIG. 4

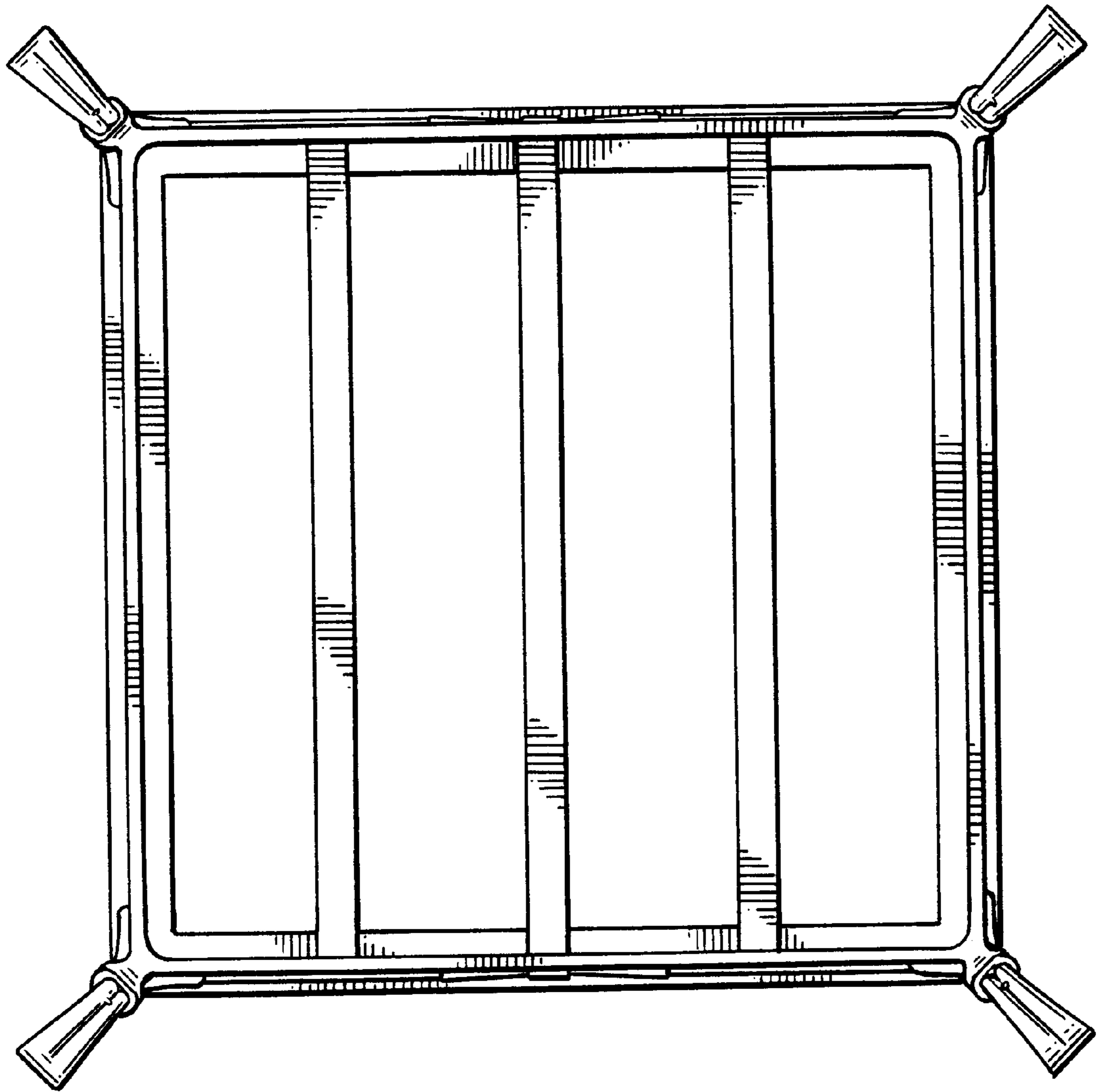


FIG. 5

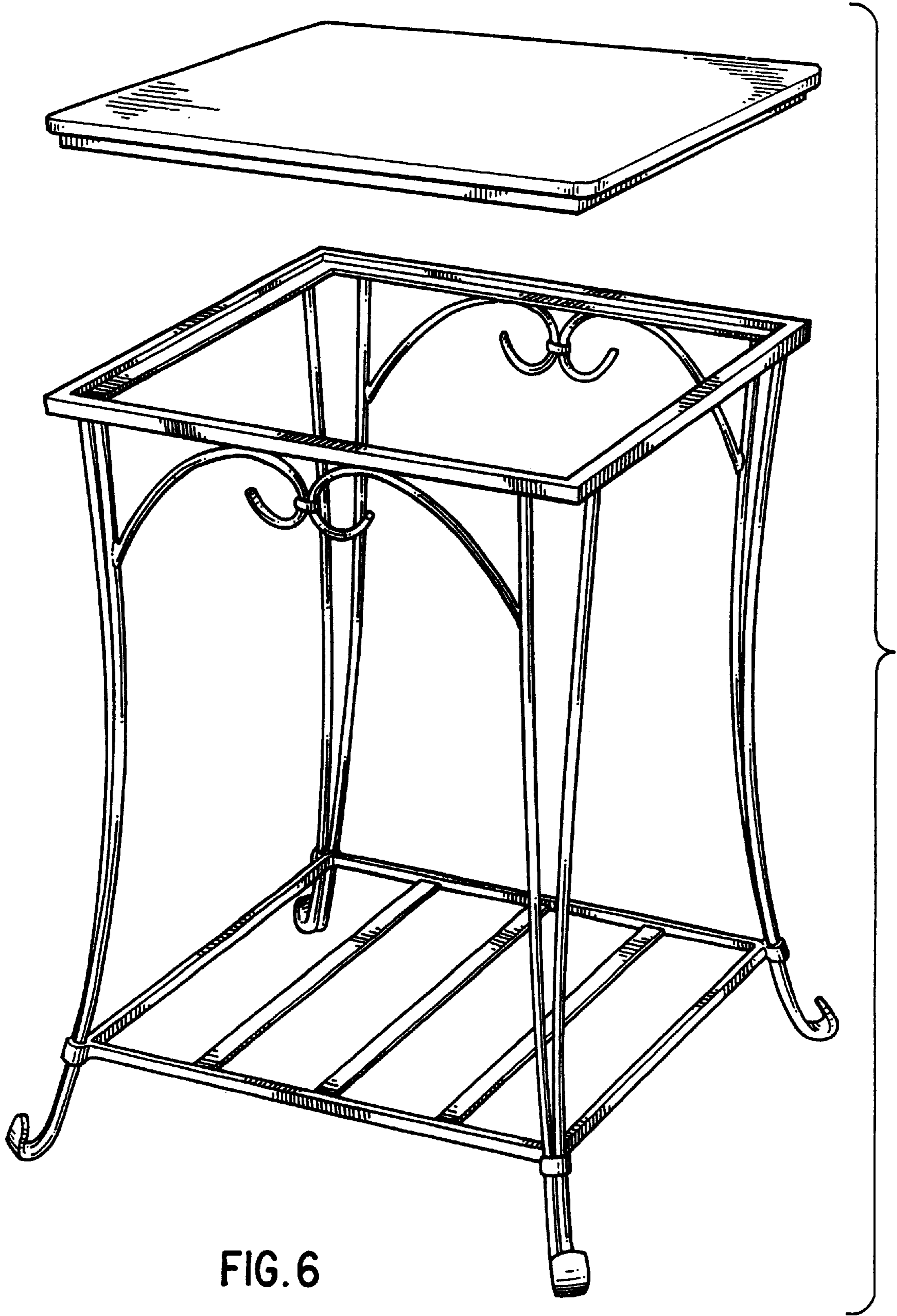


FIG. 6



FIG. 7

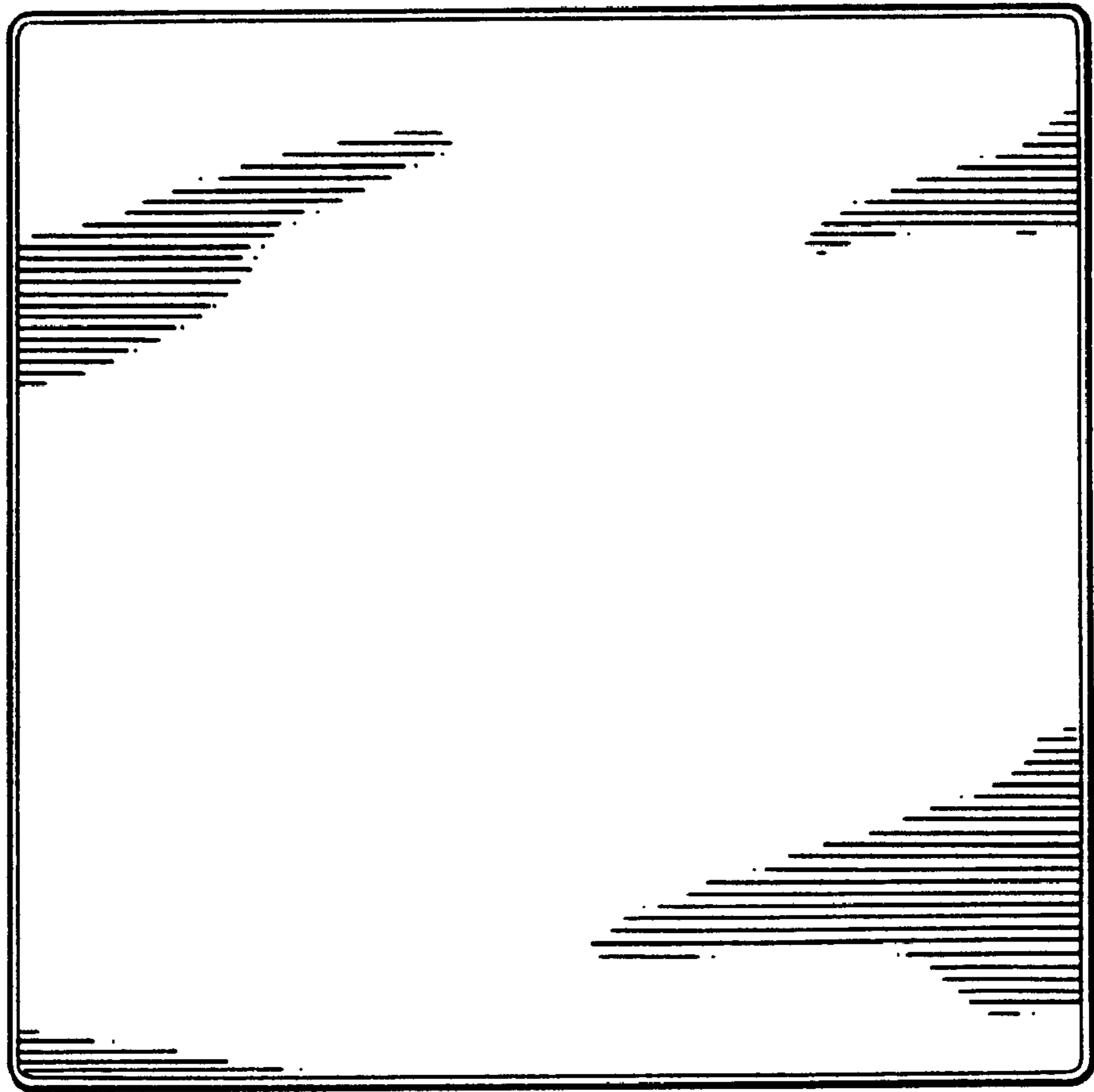


FIG. 8

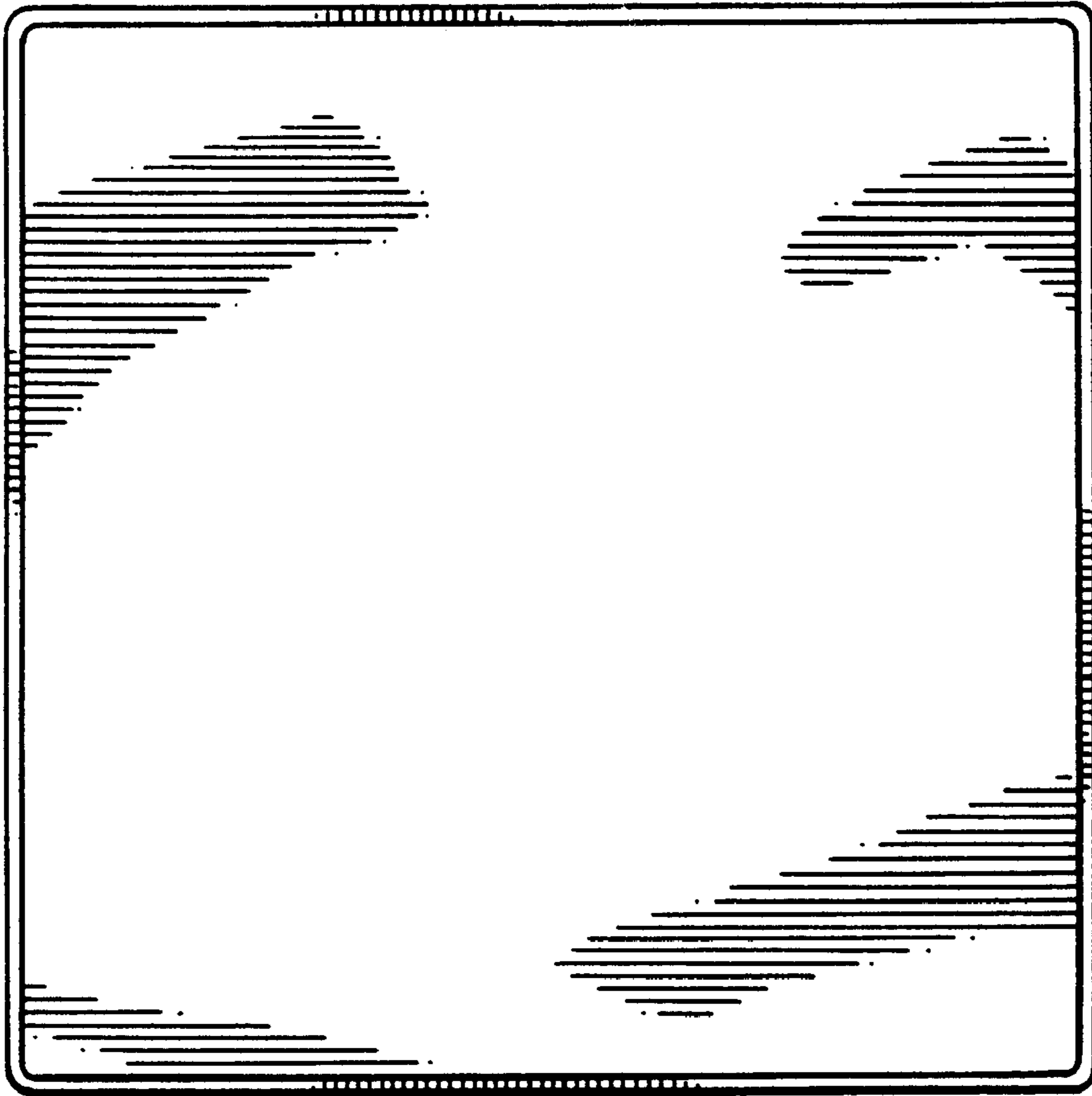


FIG. 9



FIG. 11

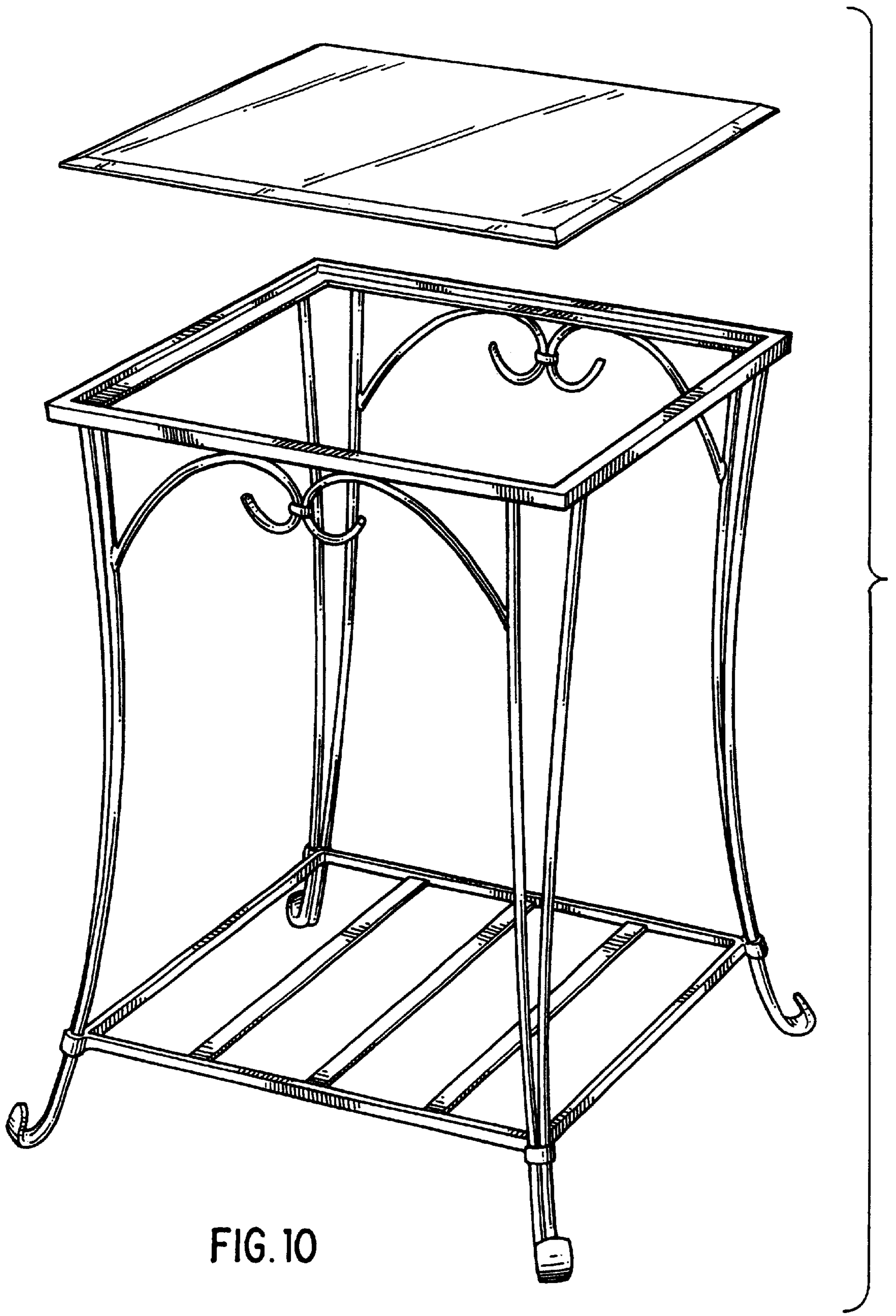


FIG. 10

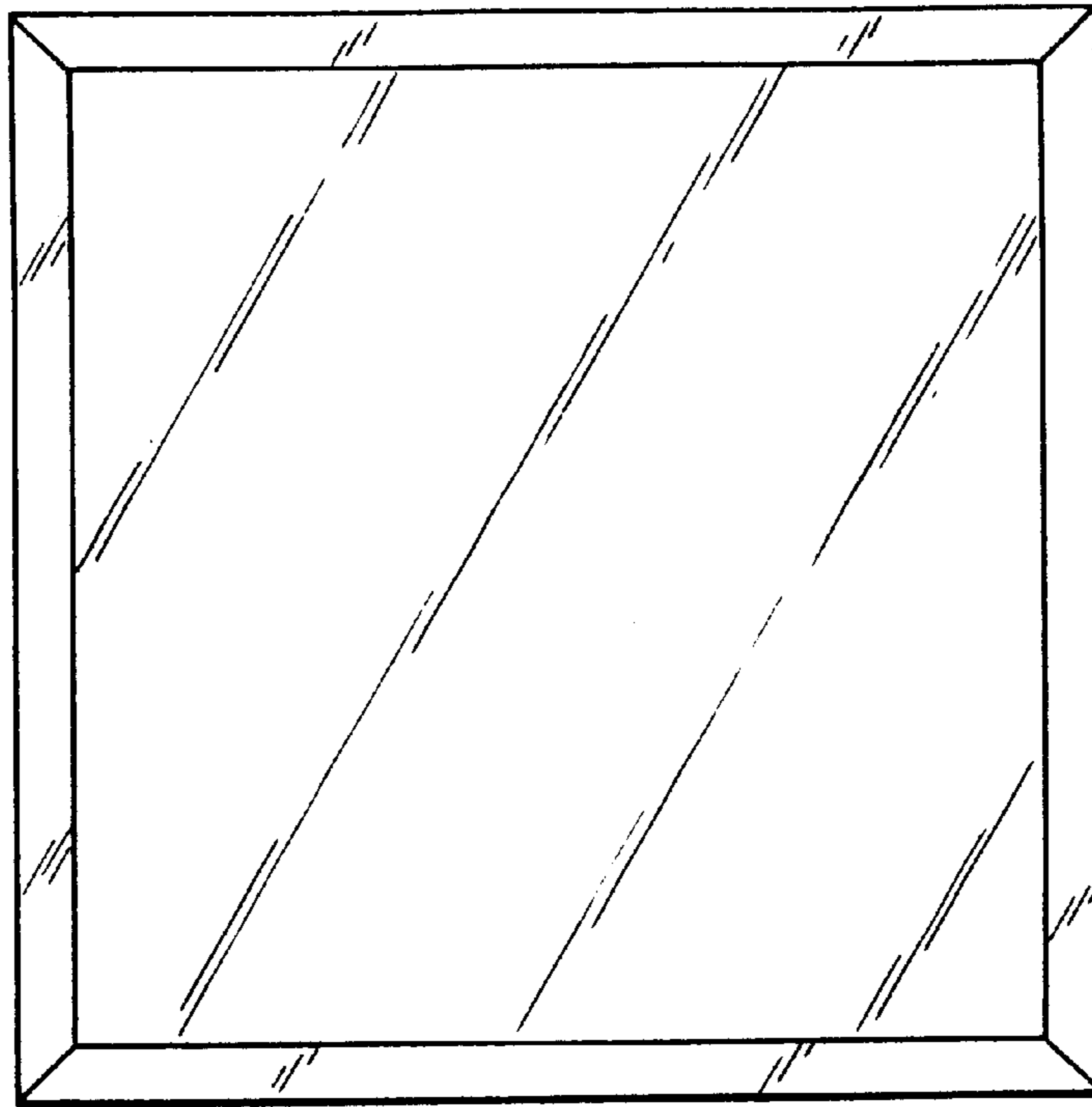


FIG. 12

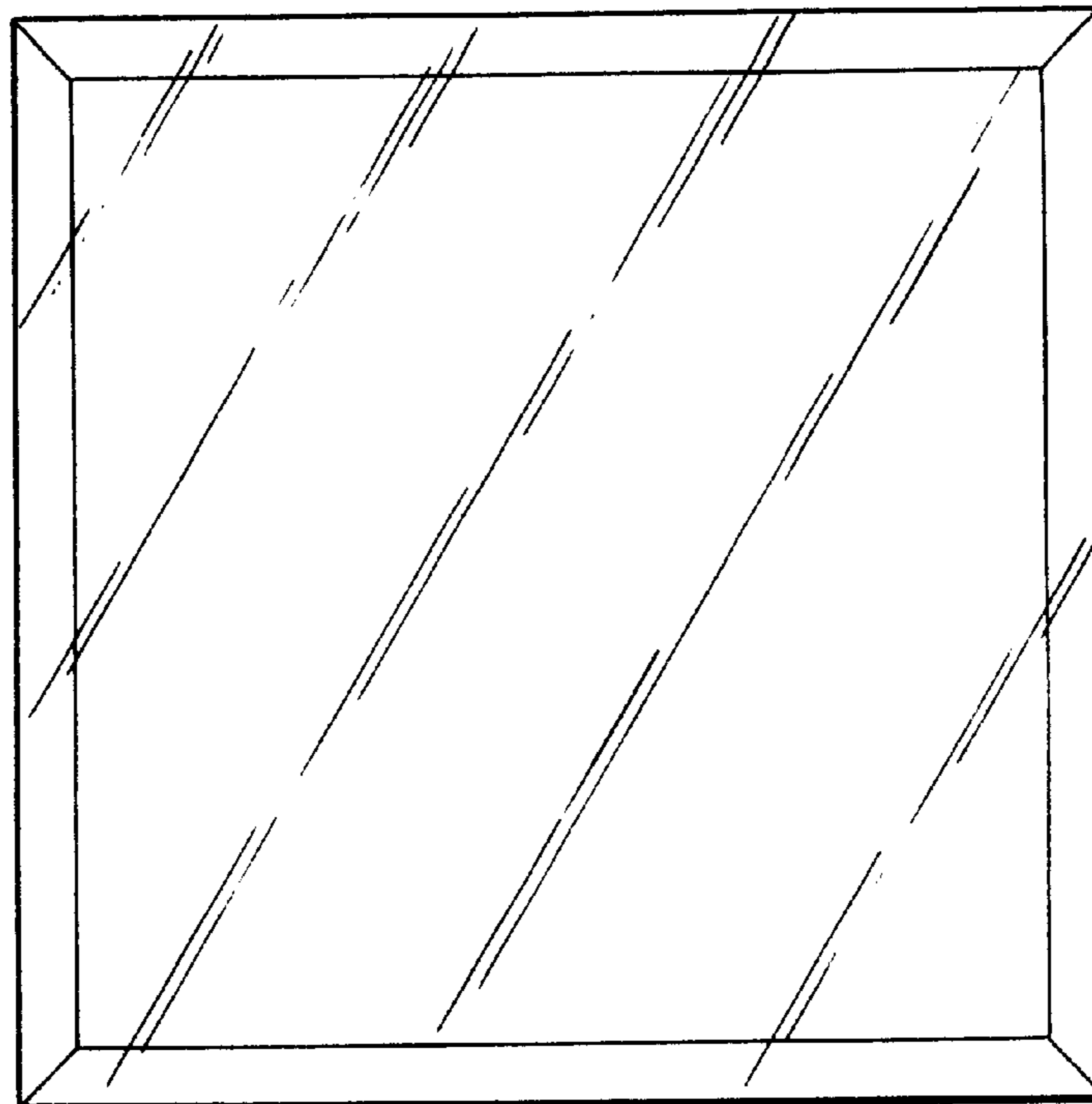


FIG. 13