



US00D466332S

(12) **United States Design Patent**
Risdon

(10) **Patent No.:** **US D466,332 S**

(45) **Date of Patent:** **** Dec. 3, 2002**

(54) **DRESSER**

(75) Inventor: **Scott M. Risdon**, Greensboro, NC (US)

(73) Assignee: **Vaughan Furniture Industries, Incorporated**, Galax, VA (US)

(**) Term: **14 Years**

(21) Appl. No.: **29/149,659**

(22) Filed: **Oct. 15, 2001**

(51) **LOC (7) Cl.** **06-04**

(52) **U.S. Cl.** **D6/434; D6/446**

(58) **Field of Search** **D6/432-448; 312/204, 312/224, 237, 278, 279**

(56) **References Cited**

U.S. PATENT DOCUMENTS

- D400,733 S * 11/1998 O'Hare D6/445
- D430,427 S * 9/2000 Cain D6/446
- D449,465 S * 10/2001 Tabbia D6/446

OTHER PUBLICATIONS

Furniture Today, Hart Furniture, p. 88, Apr. 27, 1998.*
Copy of Vaughan Design 1700/521 Series, 1993.

Copy of Vaughan Design 687 Series Dresser, 1995.

* cited by examiner

Primary Examiner—Cathron C. Brooks

(74) *Attorney, Agent, or Firm*—Womble Carlyle Sandridge & Rice, PLLC; C. Roberts Rhodes

(57) **CLAIM**

The ornamental design for a dresser, as shown and described.

DESCRIPTION

FIG. 1 is a front left perspective view of a dresser showing my new design;
 FIG. 2 is a front view thereof;
 FIG. 3 is a side view thereof;
 FIG. 4 is a top view thereof;
 FIG. 5 is a left front perspective view of the upper front corner showing the surface ornamentation and edge molding; and,
 FIG. 6 is a front perspective view of the lower corner illustrating decorative feet and edge molding.
 The broken lines shown in the drawings are for illustrative purposes only and form no part of the claimed design.

1 Claim, 6 Drawing Sheets



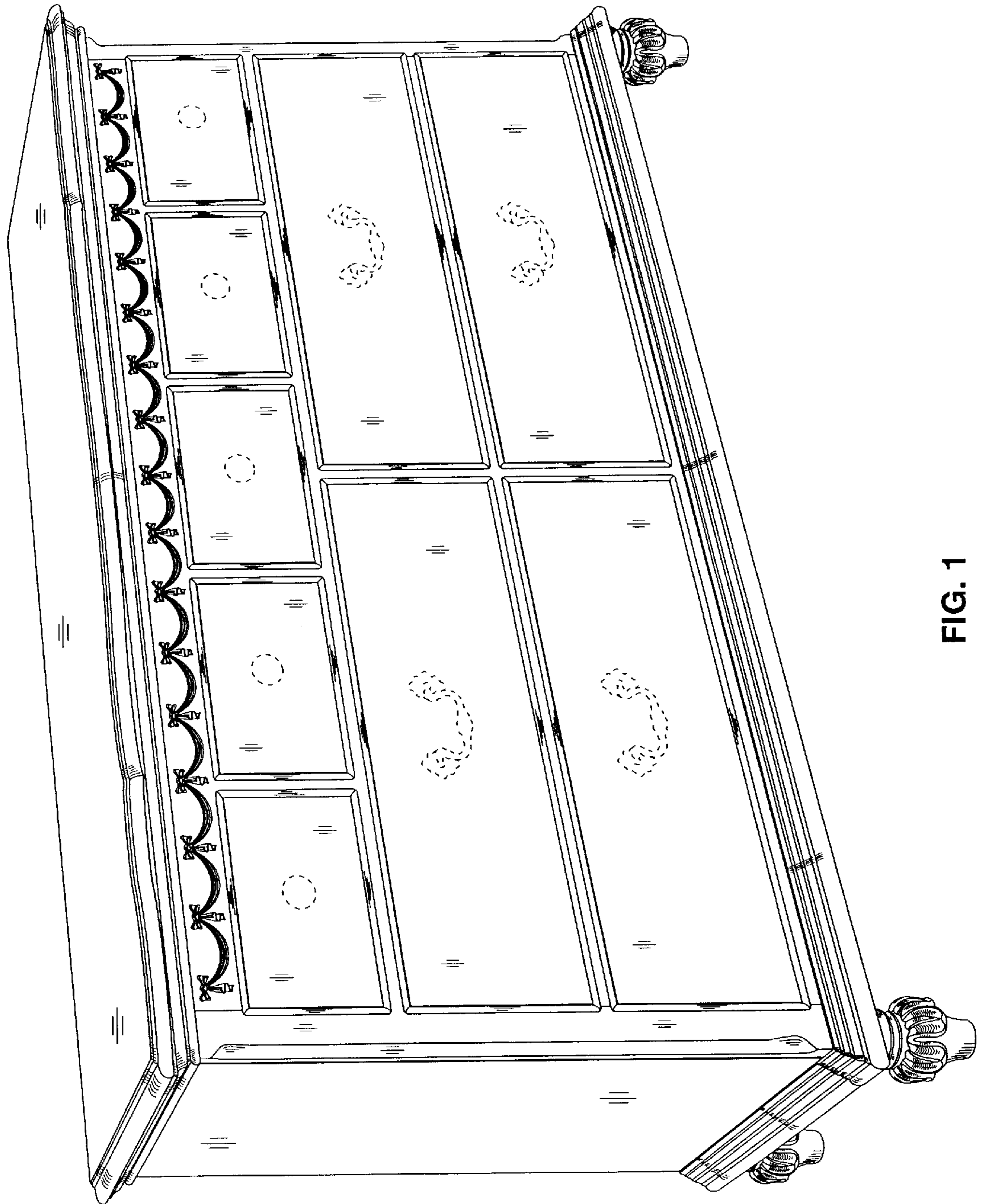


FIG. 1

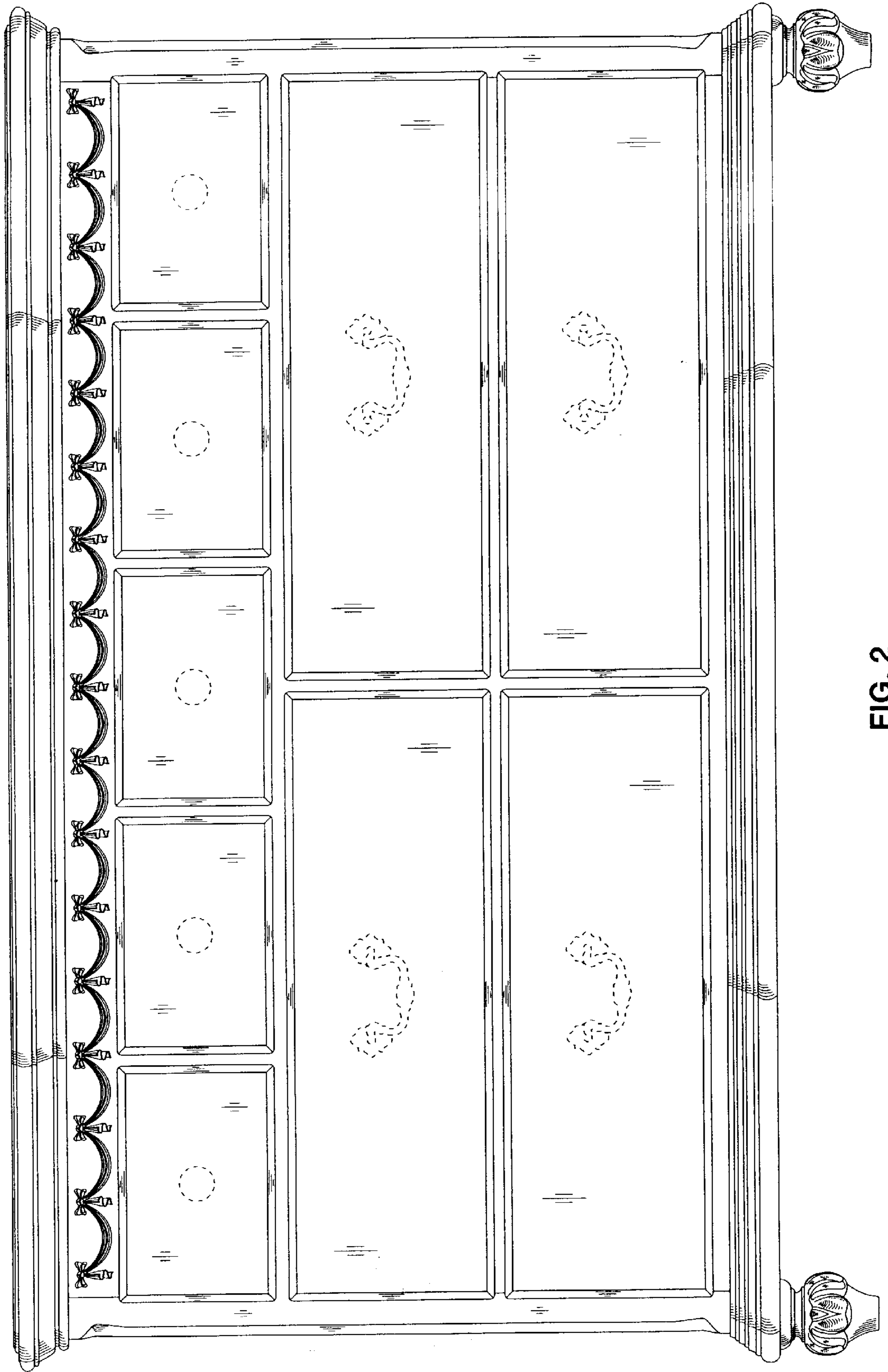


FIG. 2

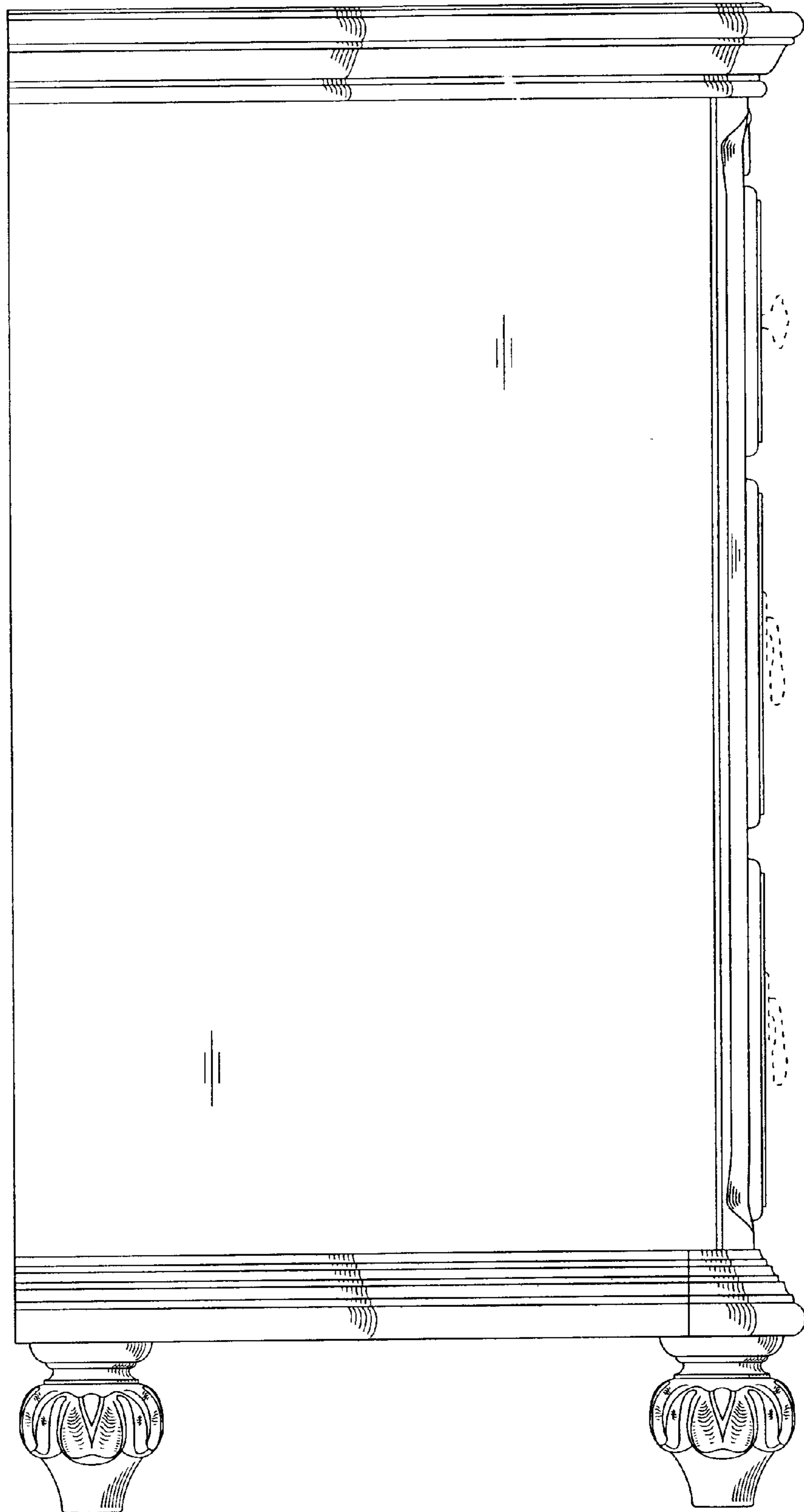


FIG. 3

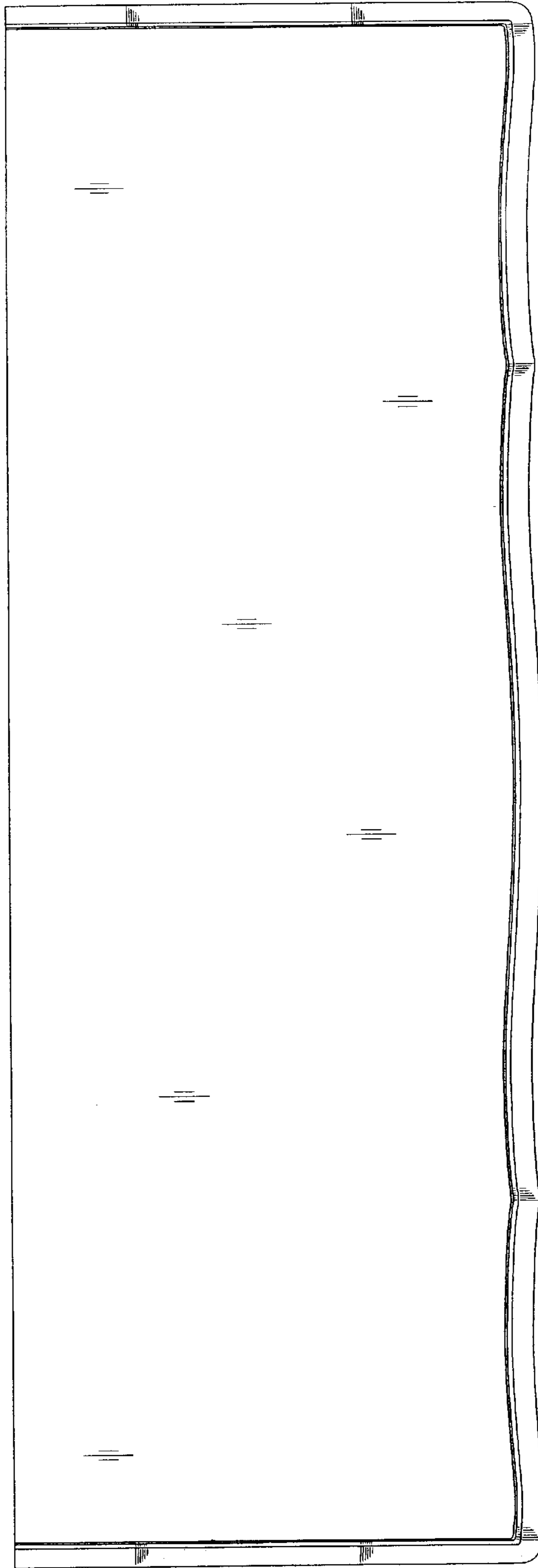


FIG. 4

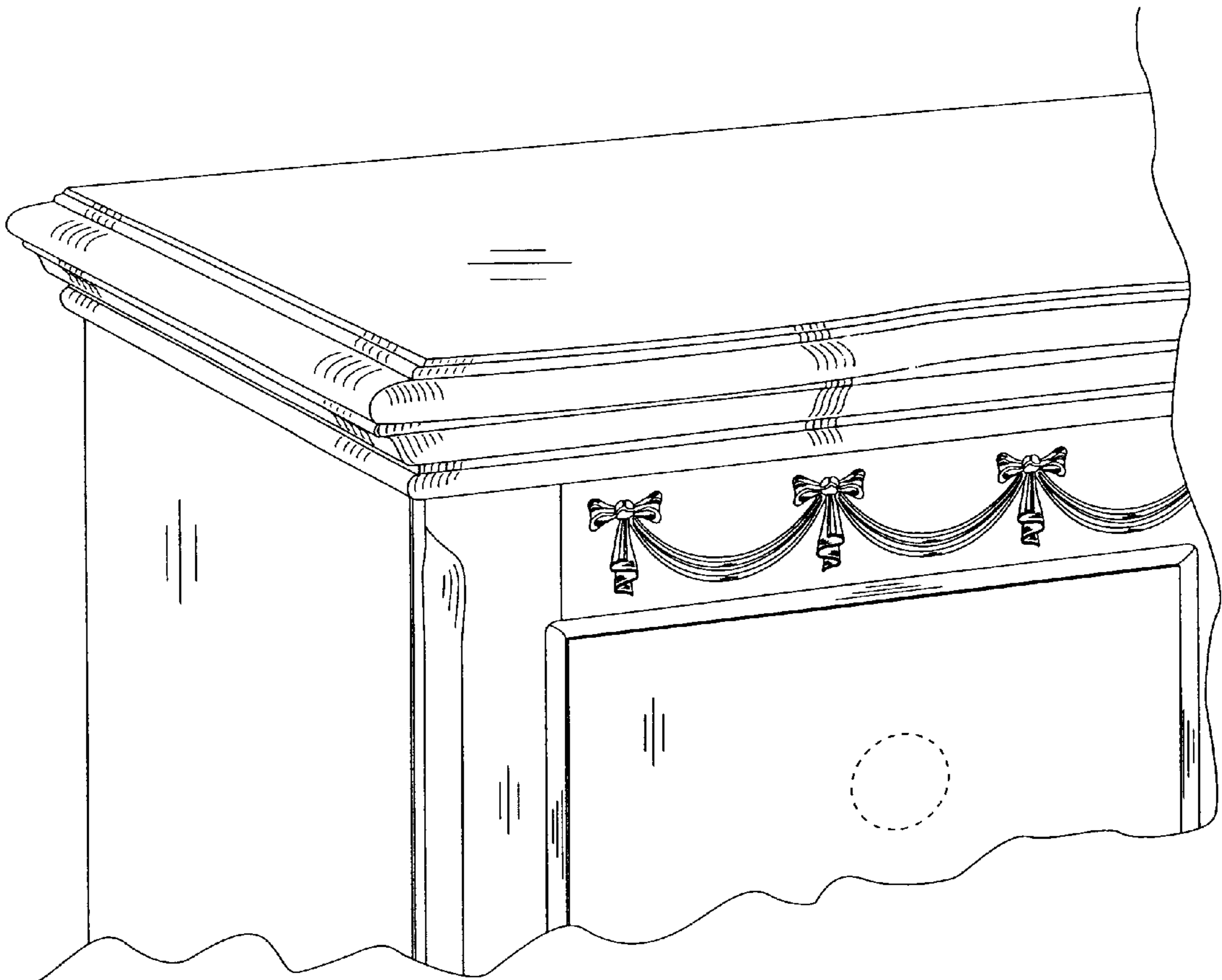


FIG. 5

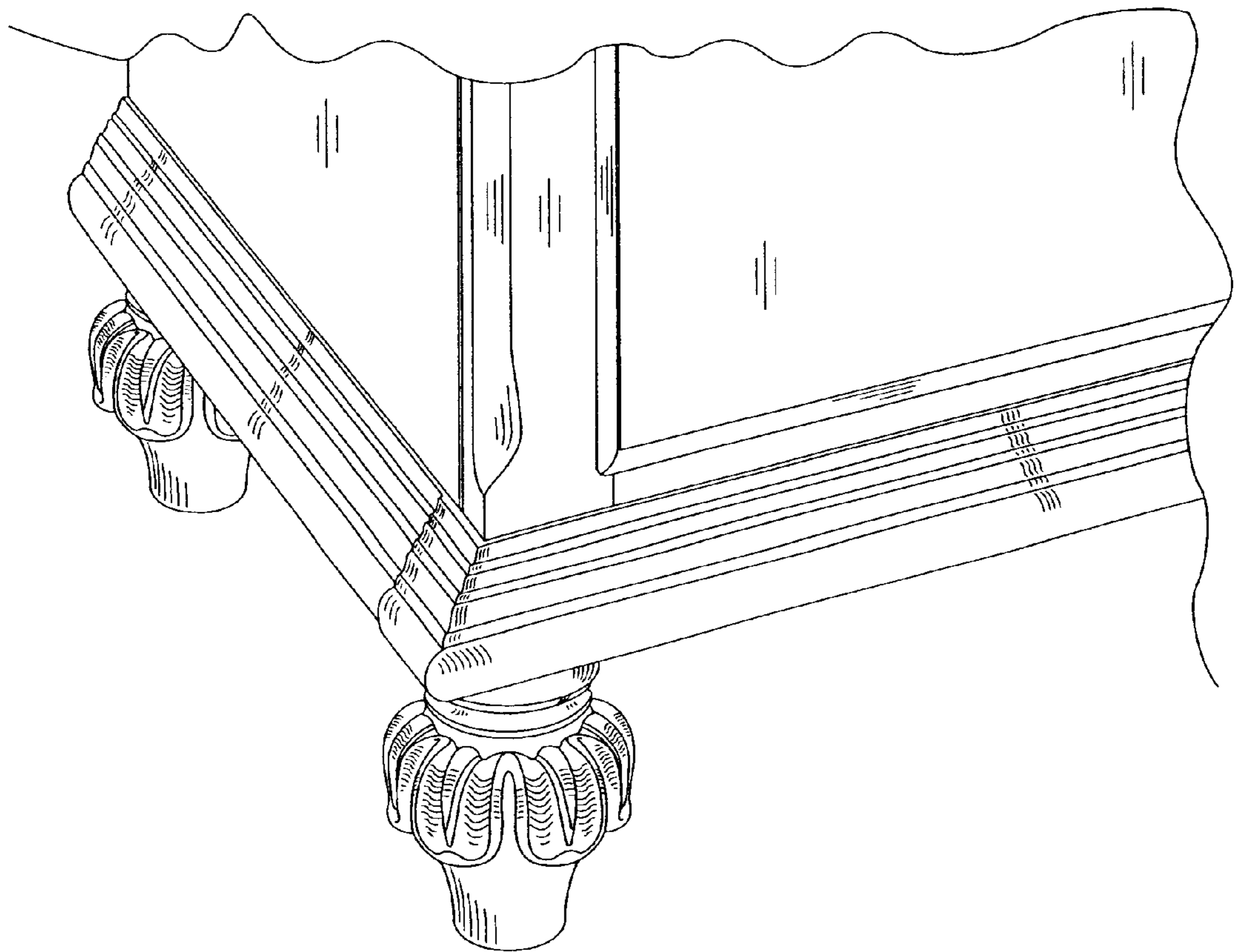


FIG. 6