



US00D466328S

(12) **United States Design Patent**
Risdon

(10) **Patent No.:** **US D466,328 S**

(45) **Date of Patent:** **** Dec. 3, 2002**

(54) **BED**

(75) Inventor: **Scott M. Risdon**, Greensboro, NC (US)

(73) Assignee: **Vaughan Furniture Industries, Incorporated**, Galax, VA (US)

(**) Term: **14 Years**

(21) Appl. No.: **29/149,660**

(22) Filed: **Oct. 15, 2001**

(51) **LOC (7) Cl.** **06-01**

(52) **U.S. Cl.** **D6/393**

(58) **Field of Search** D6/382, 389, 392-395,
D6/505-508; 5/53.1, 279.1, 280, 281, 907

(56) **References Cited**

U.S. PATENT DOCUMENTS

D52,748 S	*	12/1918	Holstein	D25/145
D90,256 S	*	7/1933	McClure	D6/393
2,075,319 A		3/1937	Wilkie	88/85
D373,486 S	*	9/1996	Keller et al.	D6/393
D450,946 S	*	11/2001	Vaaler	D6/393

OTHER PUBLICATIONS

- Ethan Allen c1998, p. 320, bed at lower right, 13-5640.*
- Ethan Allen c1998, bed at top left, 11-5640.*
- Jordan Marsh Aug. 1992, bed in center.*
- Bloomington, Jul. 1, 1993, p. 14, bed B at bottom.*
- Furniture Today, Apr. 13, 1998, p. 71.*
- Thomasville, Villa Capri, p. 11, Dec. 1994, ornament.*
- Copy of Vaughan Design 687-39, 1995.
- Copy of Vaughan Design 1100-33 Sleigh Bed, 1999.
- Copy of Vaughan Design 1050-35H Sleigh Bed, Apr. 2001.
- Copy of Vaughan Topiary Design, 1450-33 Sleigh Bed, 1999.

* cited by examiner

Primary Examiner—Janice E. Seeger

(74) *Attorney, Agent, or Firm*—Womble Carlyle Sandridge & Rice, PLLC; C. Robert Rhodes

(57) **CLAIM**

The ornamental design for a bed, as shown and described.

DESCRIPTION

FIG. 1 is a front left perspective view of a bed showing my new design;

FIG. 2 is a front perspective thereof;

FIG. 3 is a side view of the headboard of the embodiment of FIG. 1;

FIG. 4 is a side view of the footboard of the embodiment of FIG. 1;

FIG. 5 is a left front perspective view of the headboard;

FIG. 6 is a front view of the headboard illustrating the decorative furniture surface configuration;

FIG. 7 is a left front perspective view of the footboard of the embodiment of FIG. 1;

FIG. 8 is a front view of the headboard of the embodiment of FIG. 1;

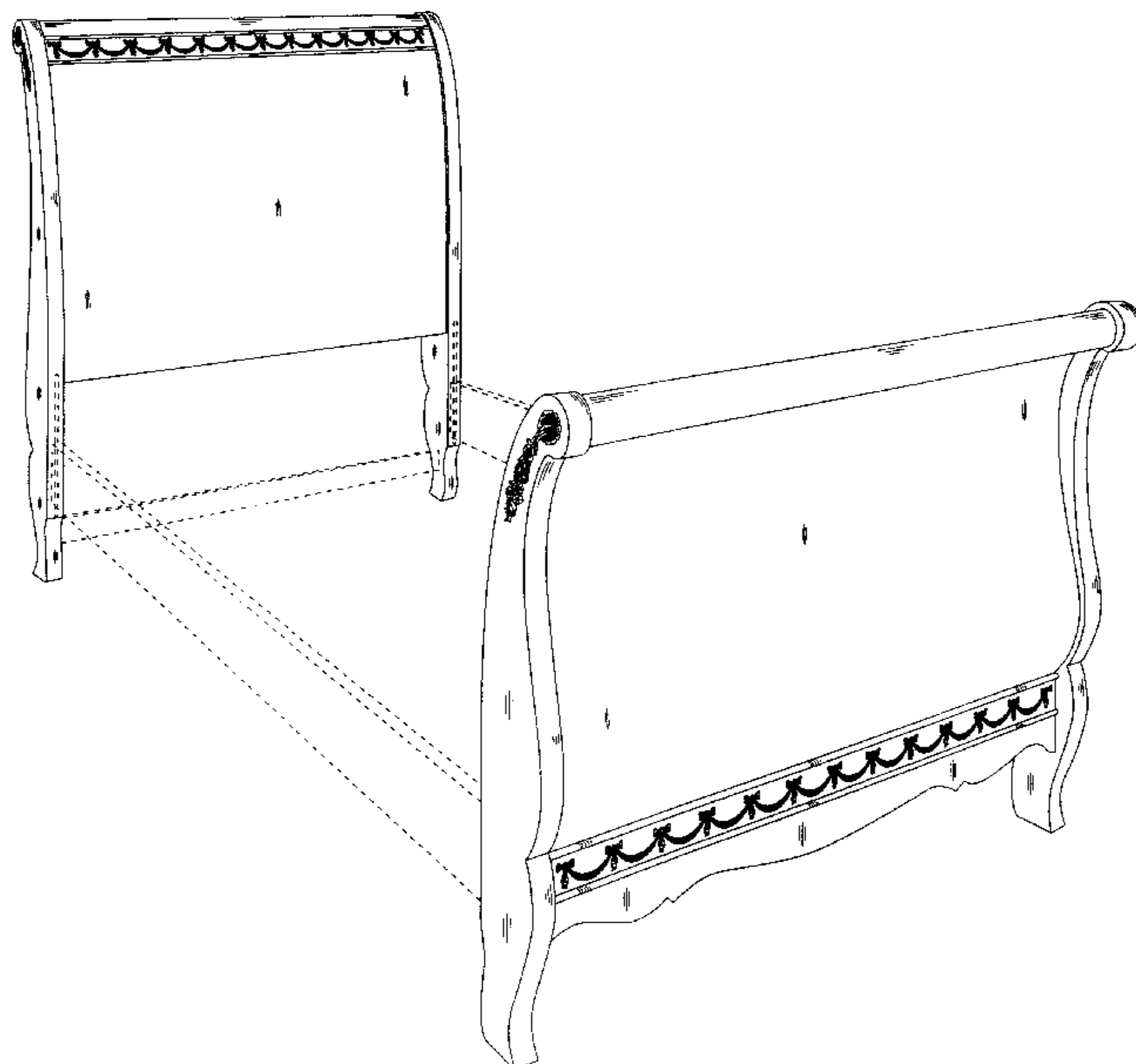
FIG. 9 is a front perspective view of the footboard illustrating the bow and ribbon surface configuration along the top of the headboard and the bottom of the footboard;

FIG. 10 is an enlarged perspective view of one end of the headboard illustrating the bow and ribbon surface configuration;

FIG. 11 is an enlarged perspective view of the upper end surface configuration on the headboard and footboard; and,

FIG. 12 is an enlarged front perspective view of the upper end surface configuration on the headboard and footboard. The broken lines are for environmental purposes only and form no part of the claimed design.

1 Claim, 11 Drawing Sheets



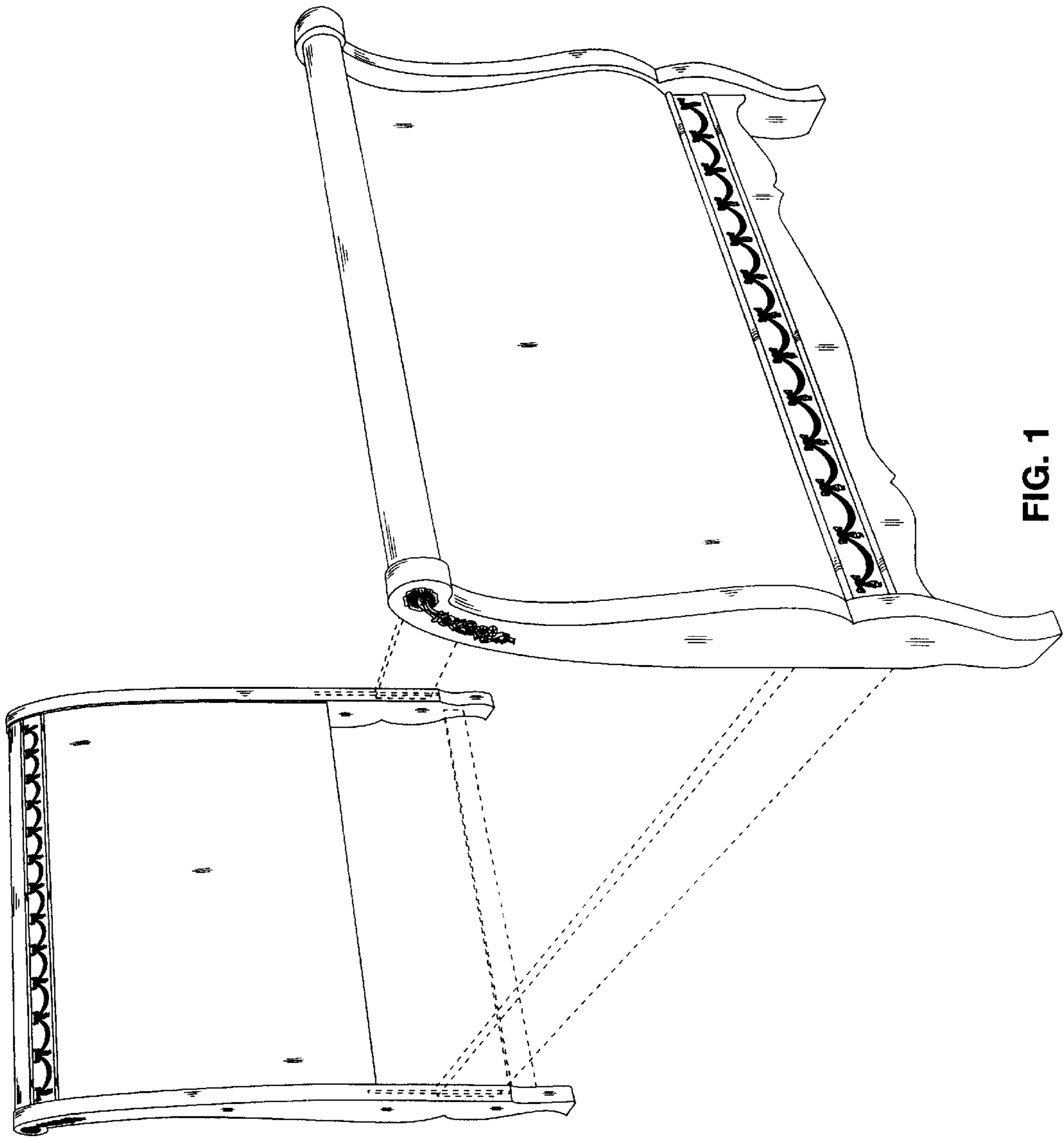


FIG. 1

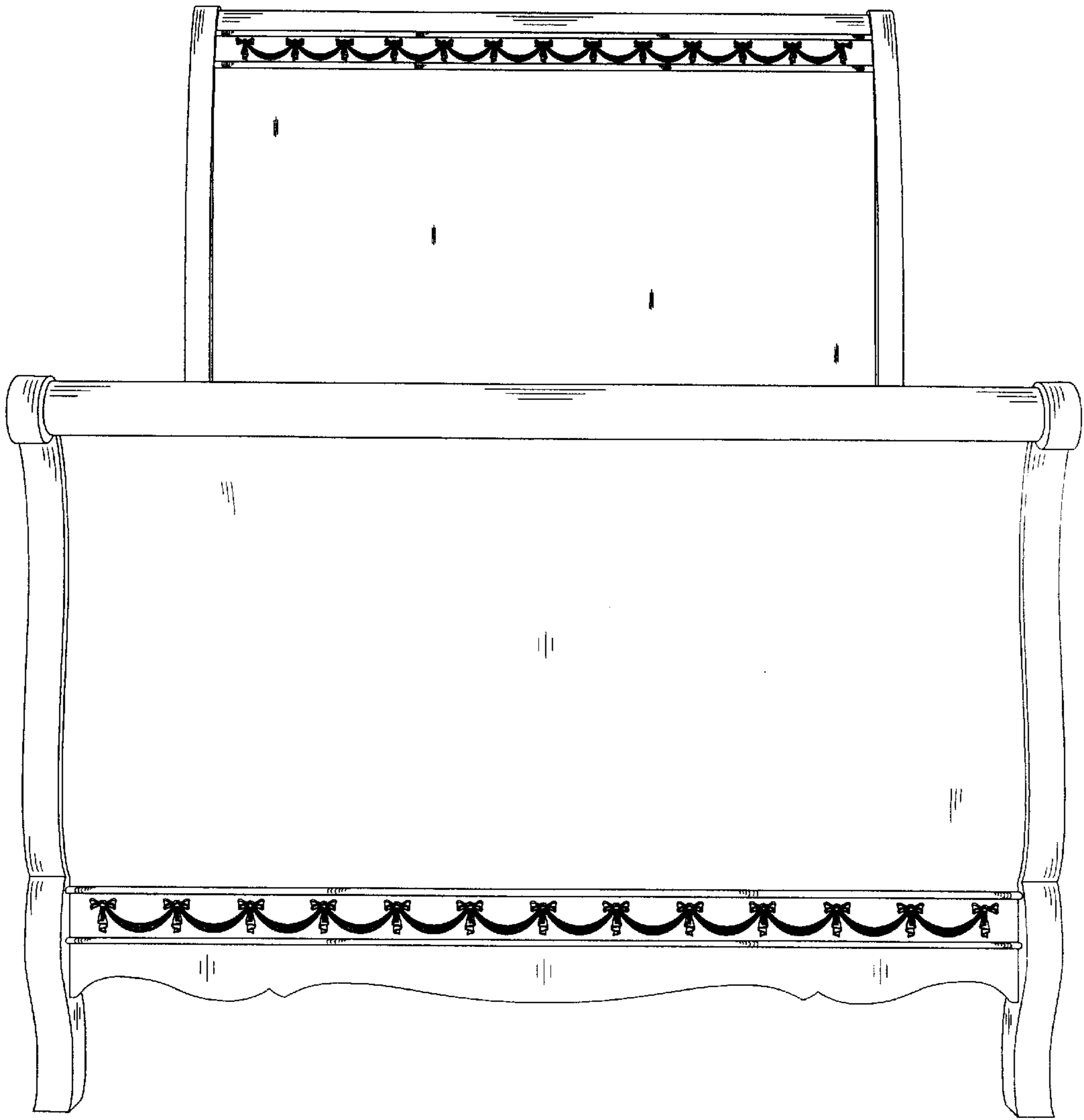


FIG. 2

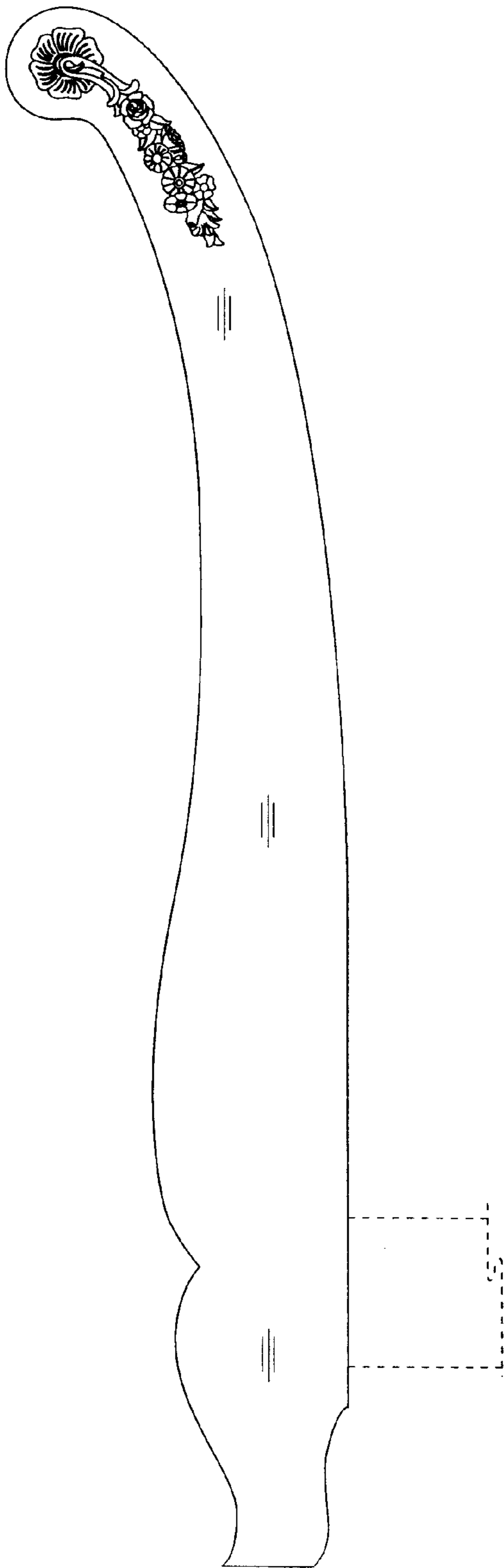


FIG. 3

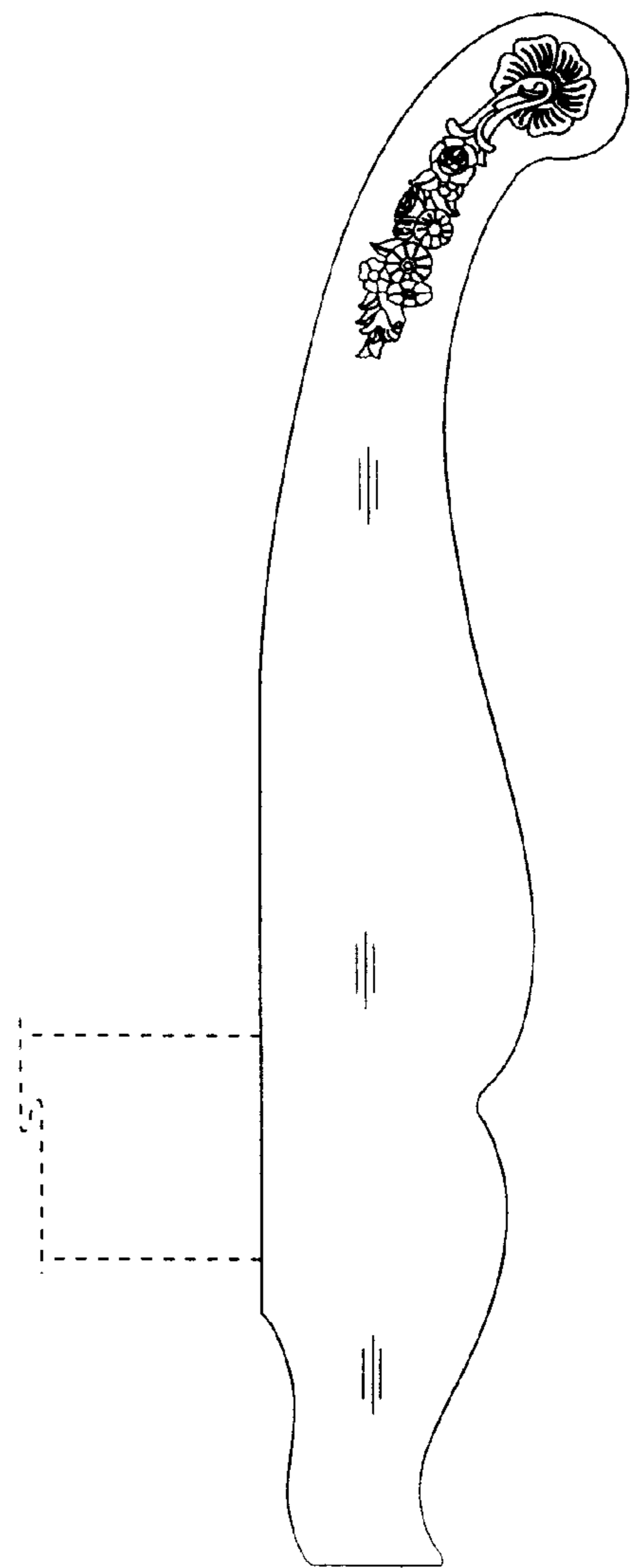


FIG. 4

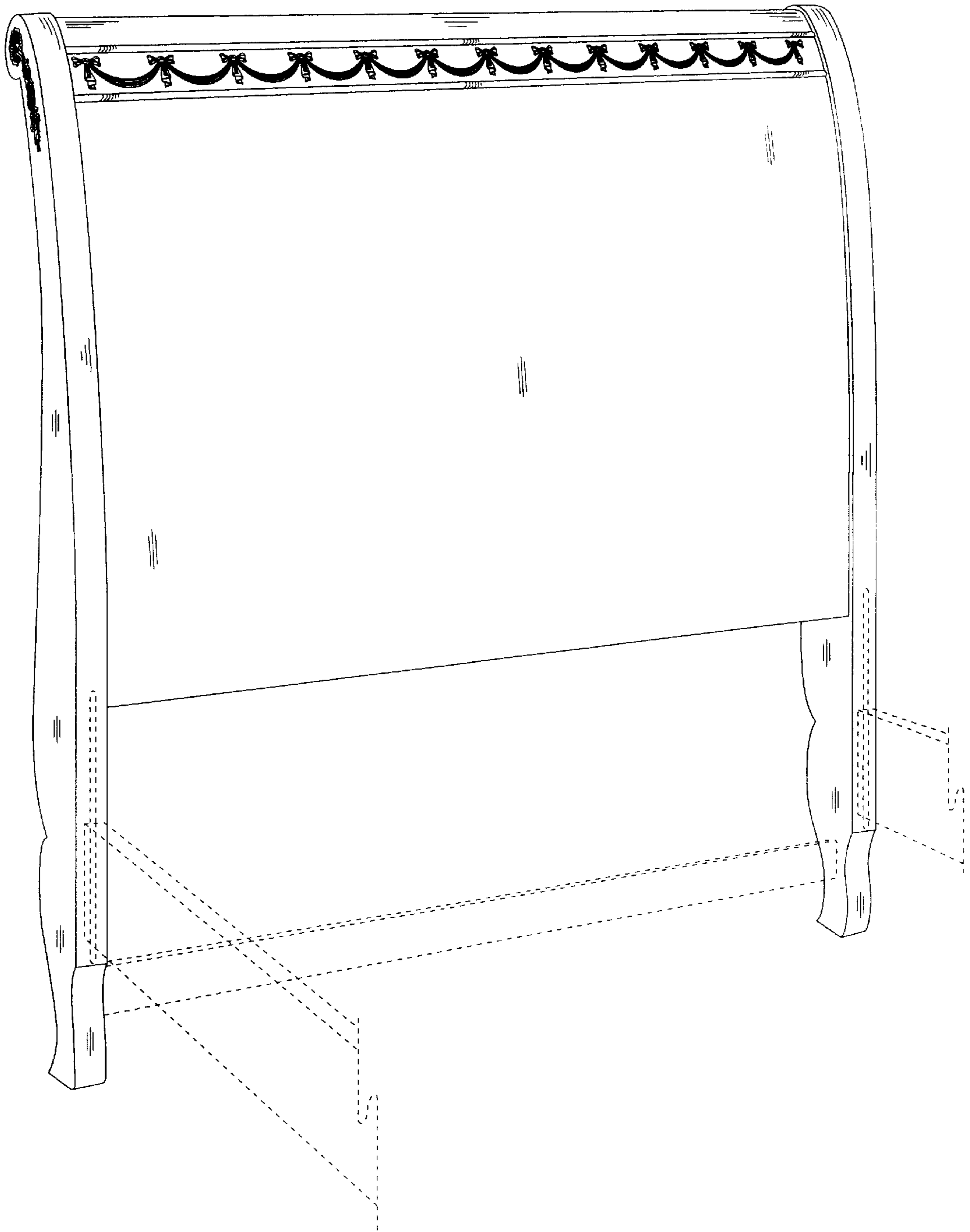


FIG. 5

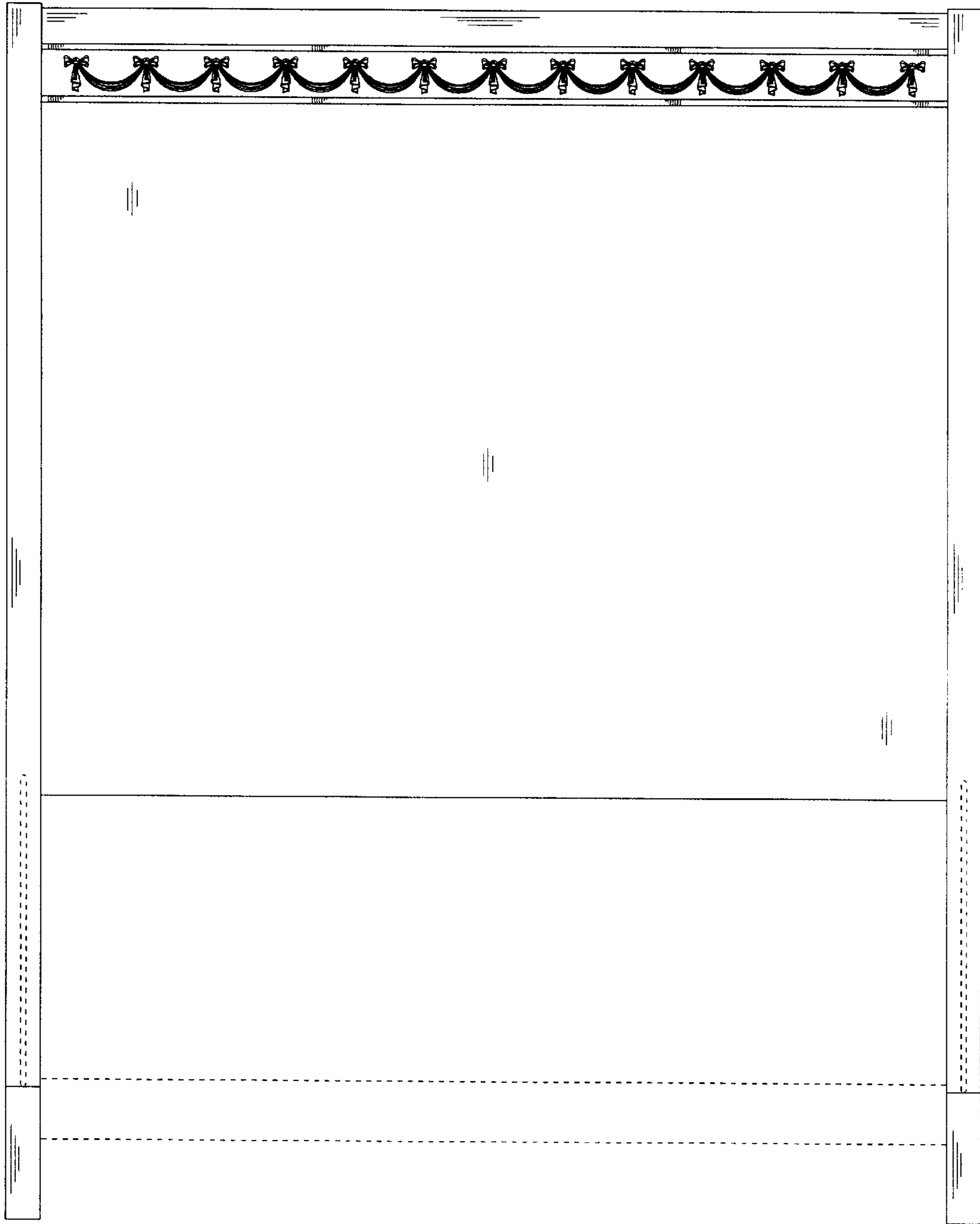


FIG. 6

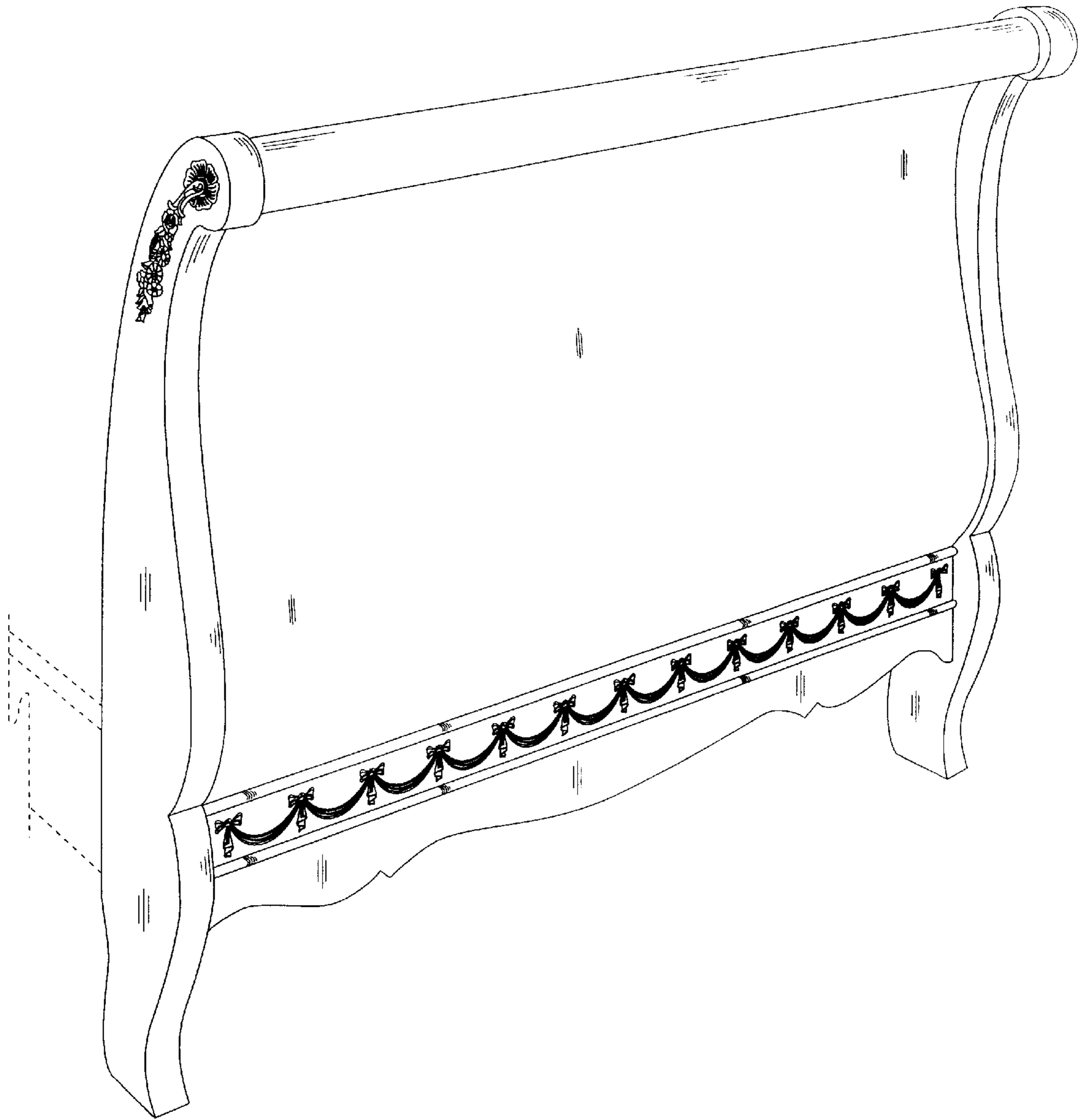


FIG. 7

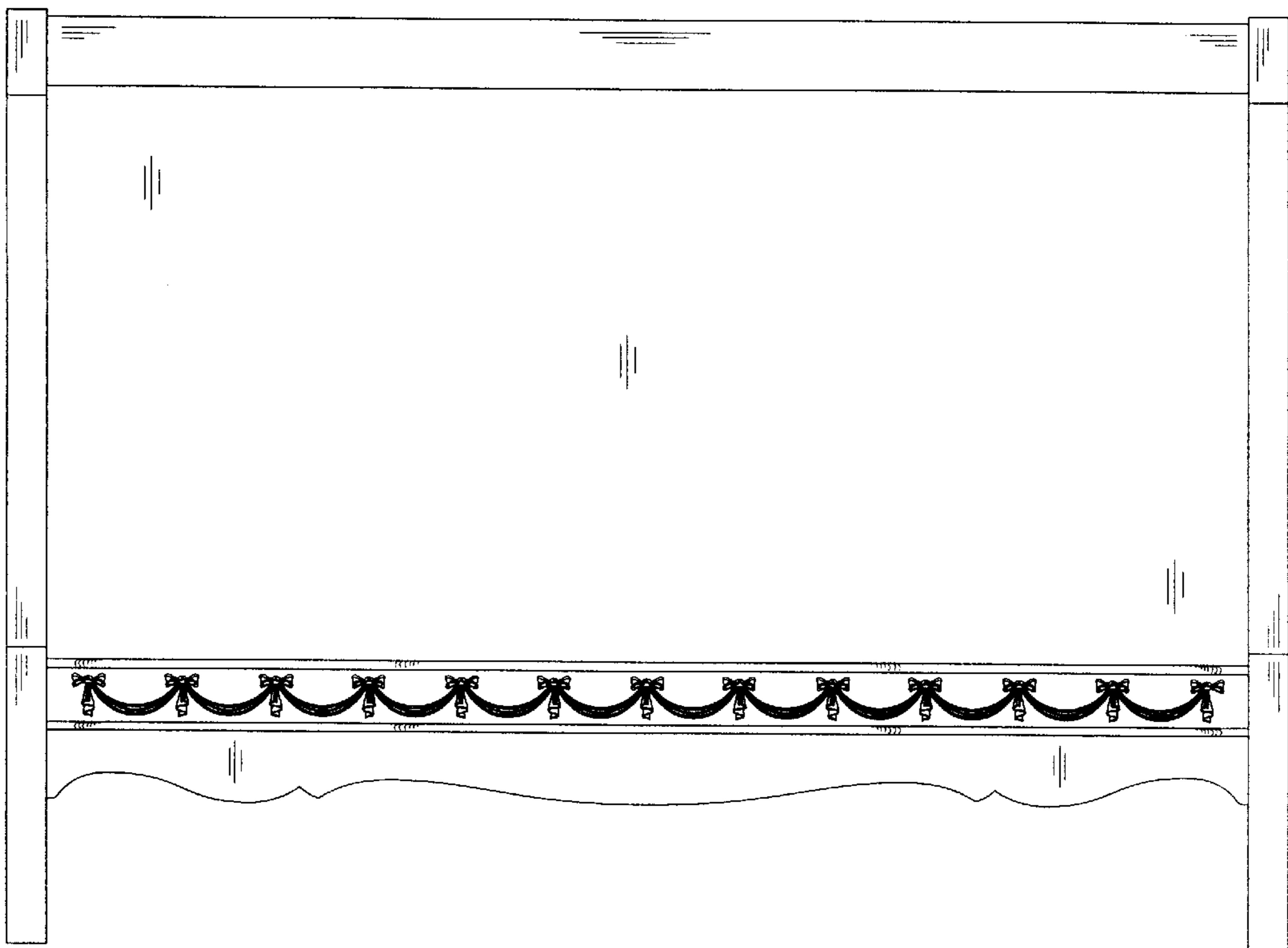


FIG. 8

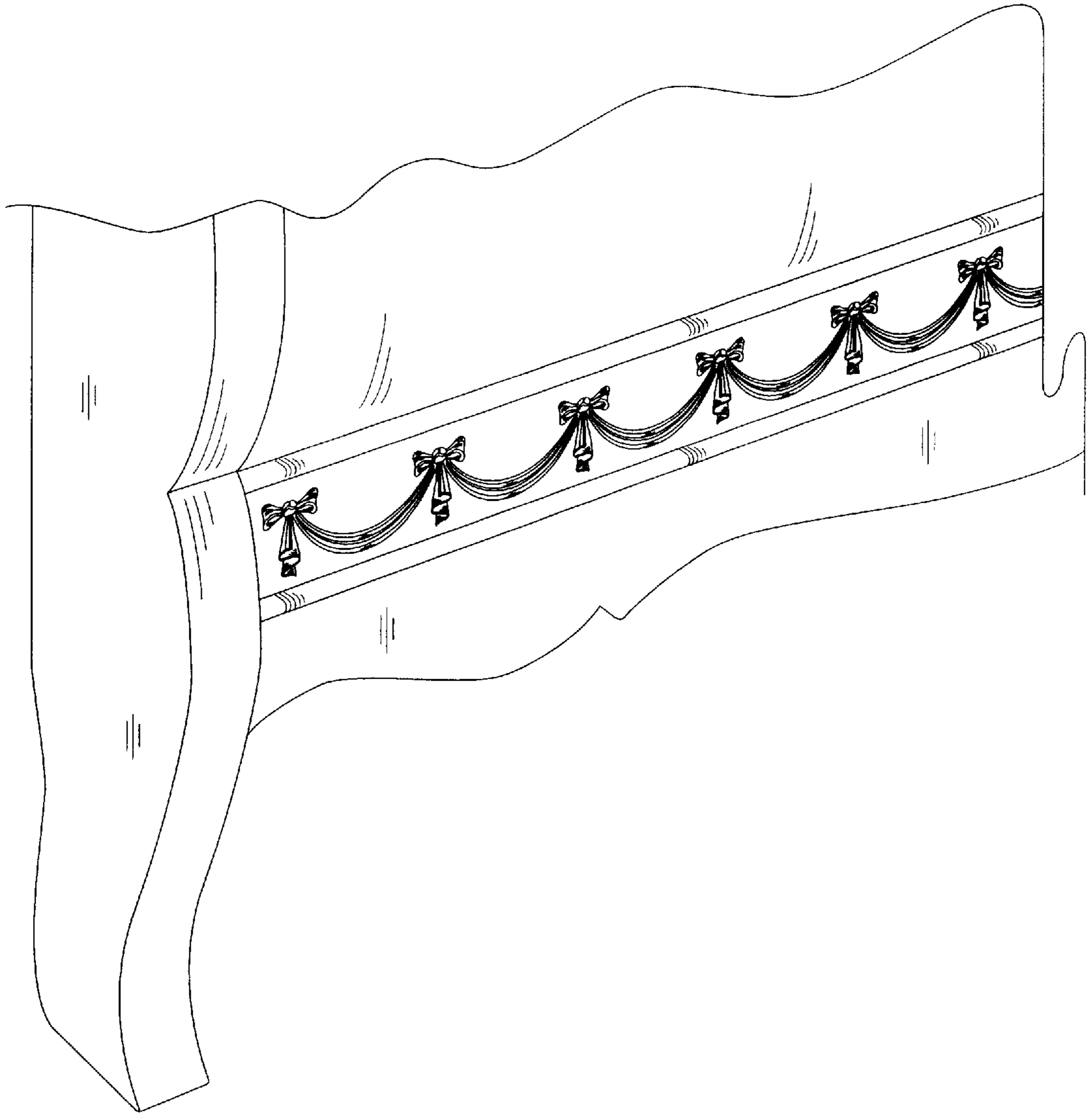


FIG. 9

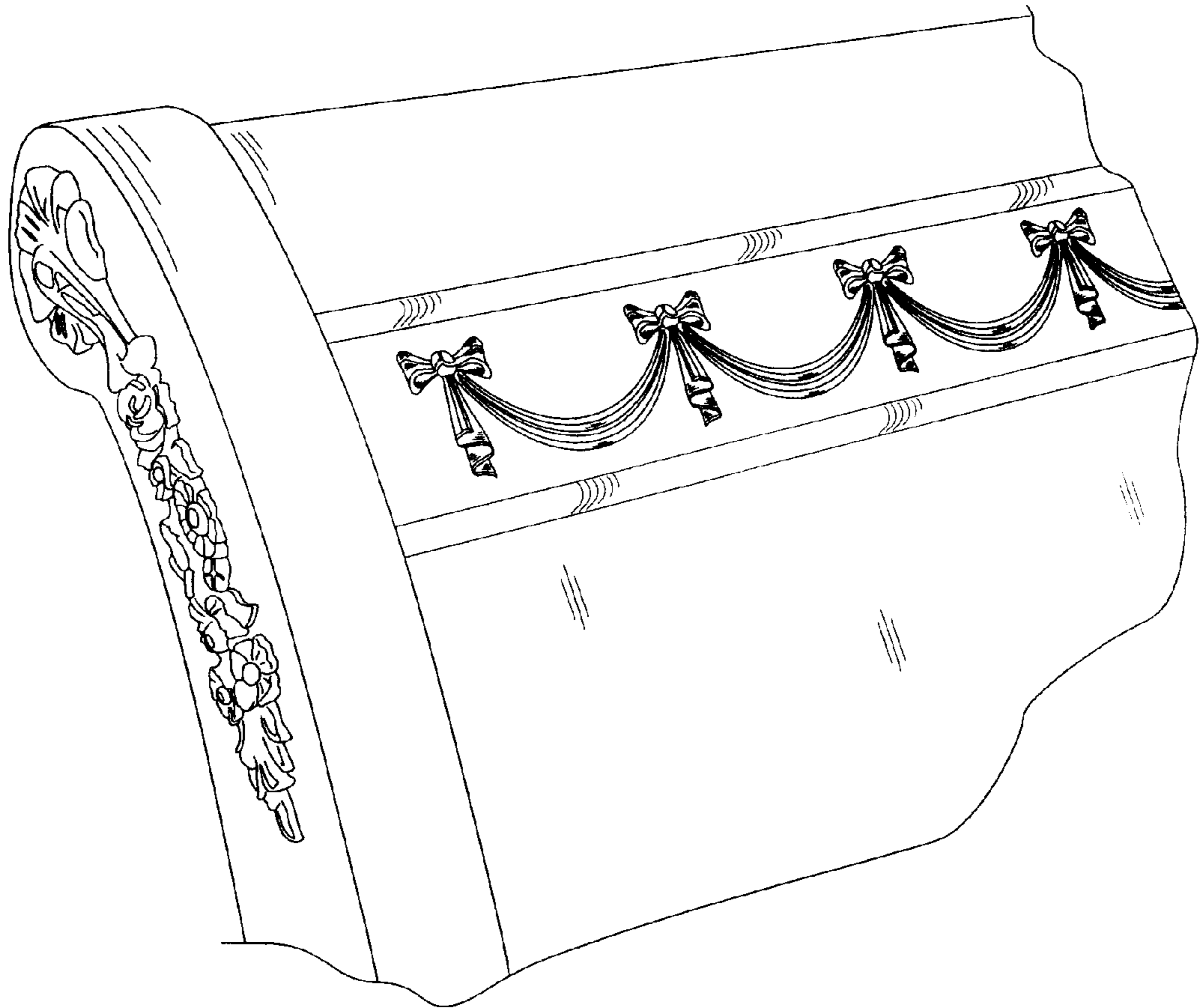


FIG. 10

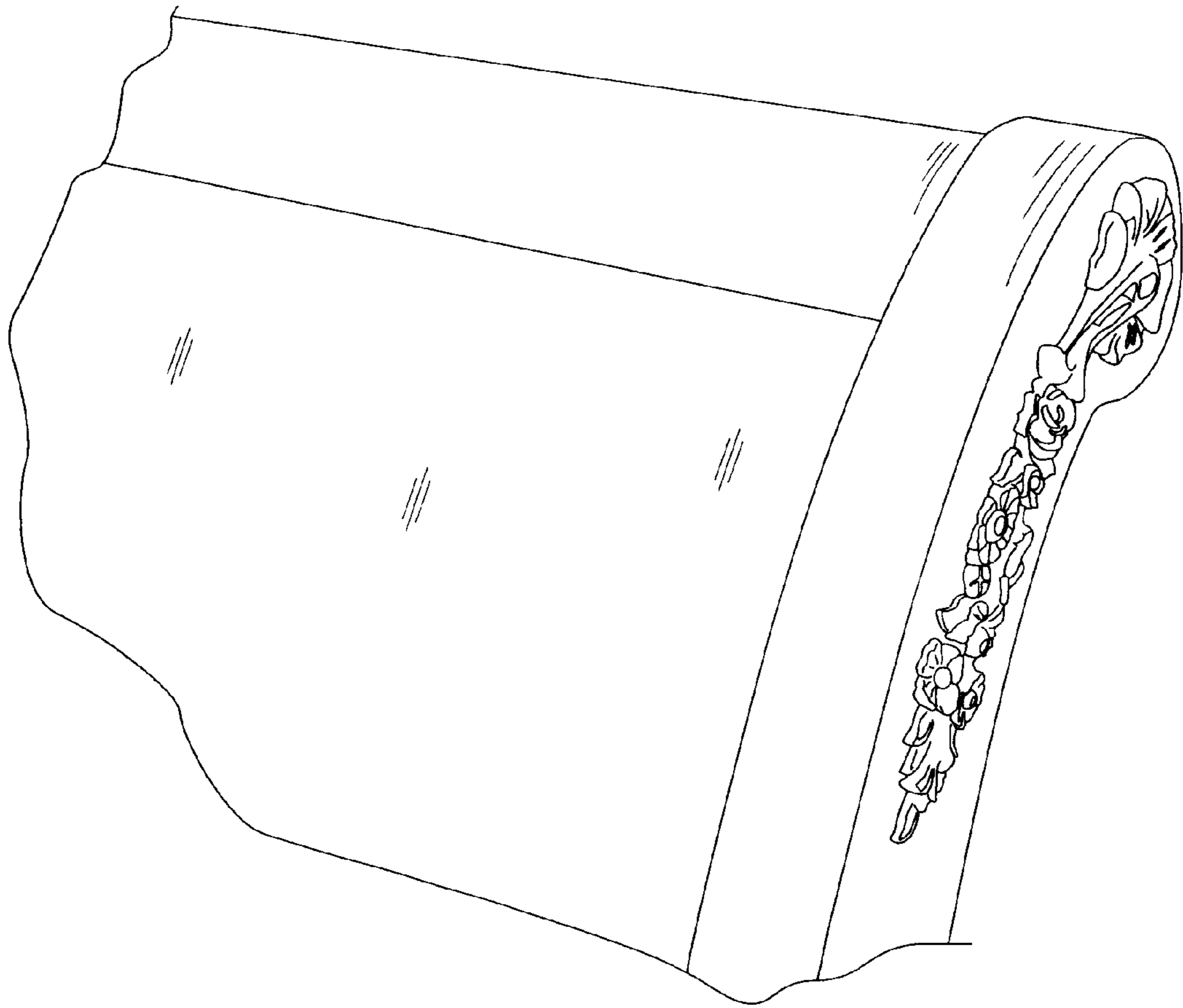


FIG. 11

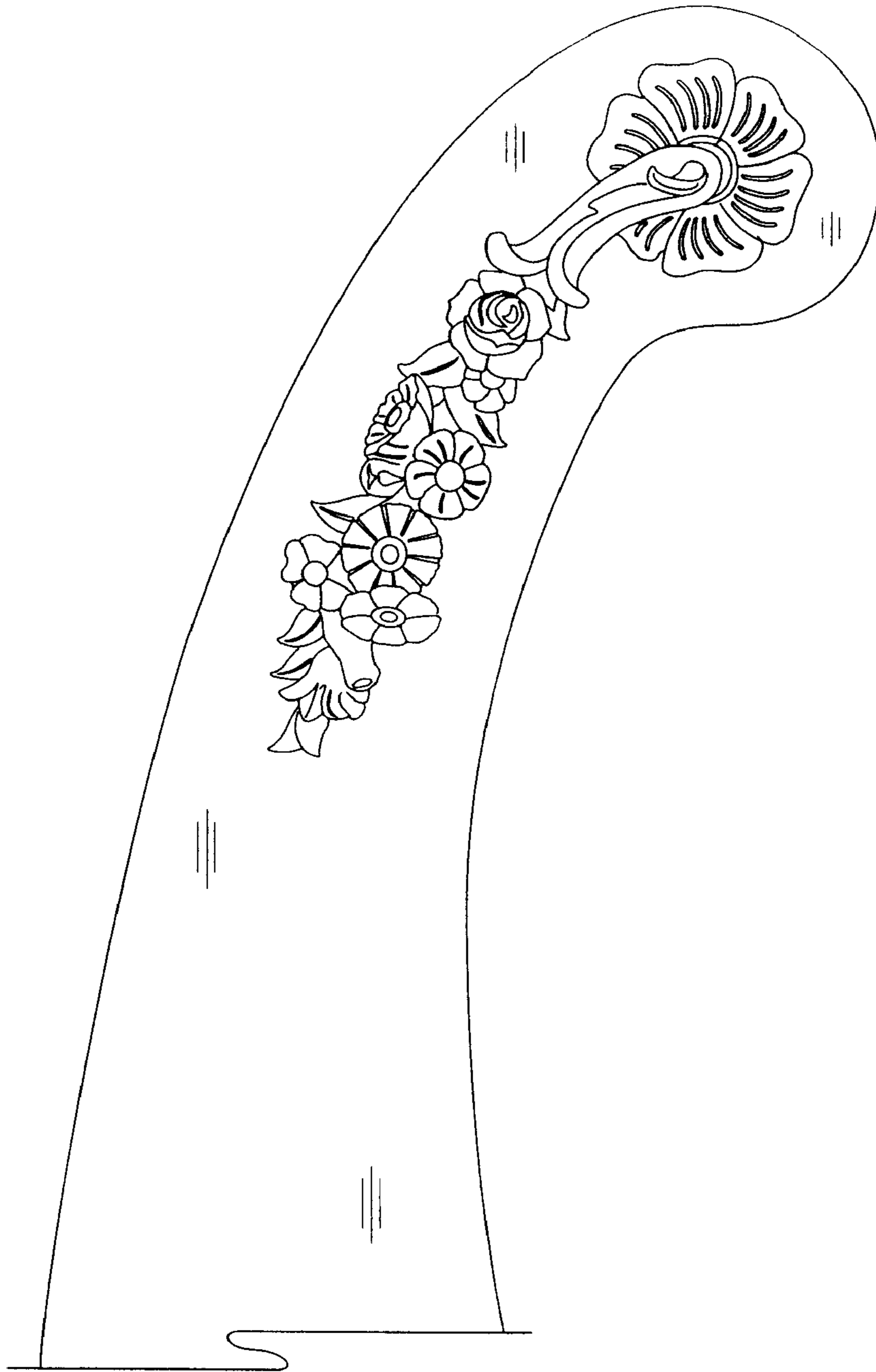


FIG. 12