



US00D466321S

(12) **United States Design Patent**
Garfunkle

(10) **Patent No.:** **US D466,321 S**

(45) **Date of Patent:** **** Dec. 3, 2002**

(54) **CHAIR**

D433,576 S * 11/2000 Hutton D6/379 X
D460,645 S * 7/2002 Sabo D6/502

(75) Inventor: **Jay Garfunkle**, Oceanport, NJ (US)

OTHER PUBLICATIONS

(73) Assignee: **GAR Products, Inc.**, Lakewood, NJ (US)

Heywood-Wakefield, p.30, Chair C3828C at top as marked, 1942.*

(**) Term: **14 Years**

* cited by examiner

(21) Appl. No.: **29/157,783**

Primary Examiner—Gary D. Watson

(22) Filed: **Mar. 26, 2002**

(74) *Attorney, Agent, or Firm*—McDonnell Boehnen Hulbert & Berghoff

(51) **LOC (7) Cl.** **06-01**

(57) **CLAIM**

(52) **U.S. Cl.** **D6/379; D6/380**

The ornamental design for a chair, as shown and described.

(58) **Field of Search** D6/334, 369, 374,
D6/376, 379, 380, 500, 501, 502; 297/445.1,
446.1

DESCRIPTION

(56) **References Cited**

FIG. 1 is a perspective view of a chair,
FIG. 2 is a side view of the chair shown in FIG. 1,
FIG. 3 is a front view of the chair shown in FIG. 1,
FIG. 4 is another side view of the chair shown in FIG. 1,
FIG. 5 is a rear view of the chair shown in FIG. 1,
FIG. 6 is a top view of the chair shown in FIG. 1; and,
FIG. 7 is a bottom view of the chair shown in FIG. 1.

U.S. PATENT DOCUMENTS

- D152,895 S * 3/1949 Lubberts et al. D6/379
- D340,364 S * 10/1993 Caldwell D6/379 X
- D345,868 S * 4/1994 McGuire et al. D6/369
- D359,176 S * 6/1995 Tihany D6/379
- D398,165 S * 9/1998 Goodman D6/379
- D404,929 S * 2/1999 Frinier D6/376

1 Claim, 4 Drawing Sheets

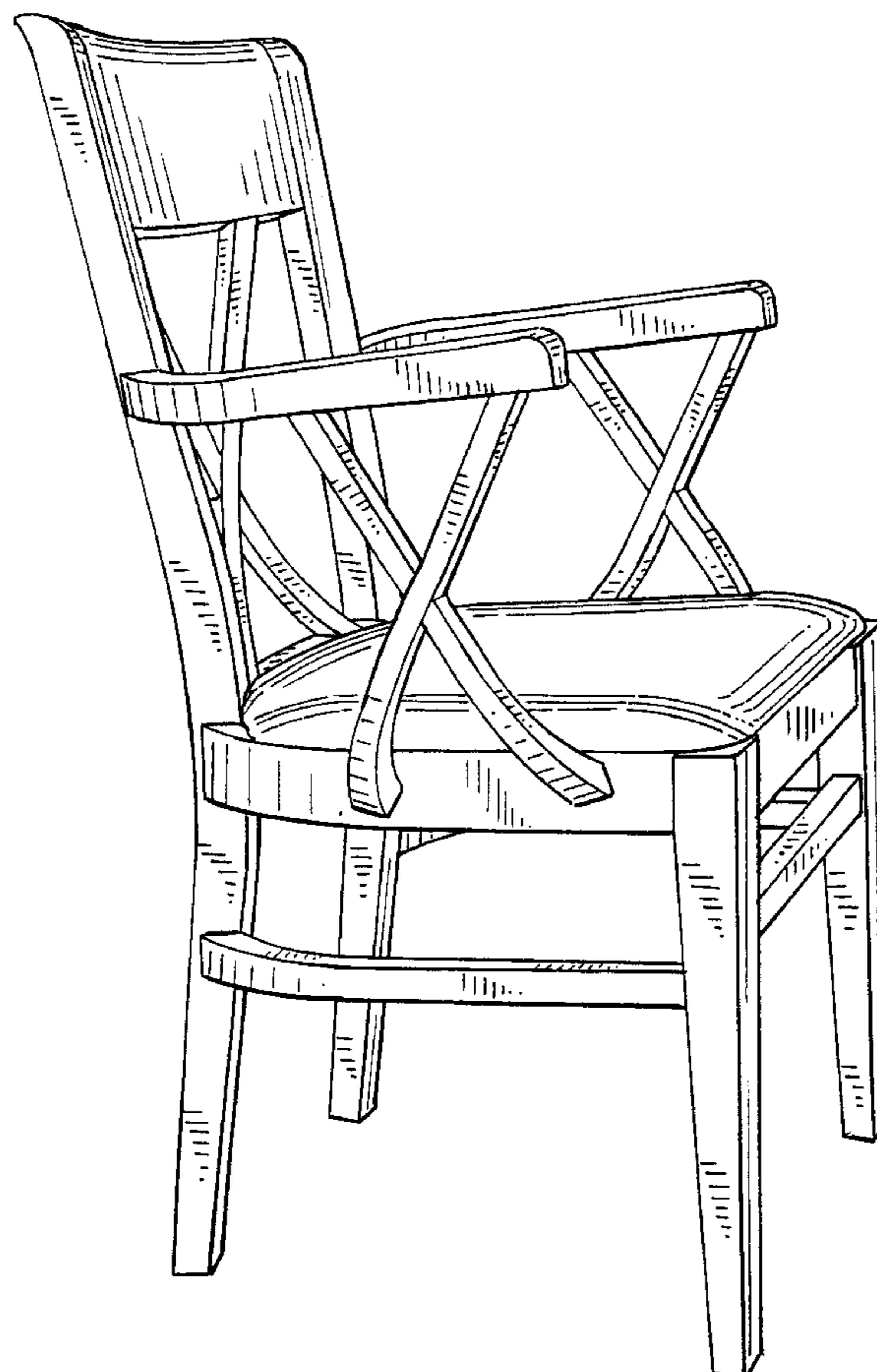


FIG. 1

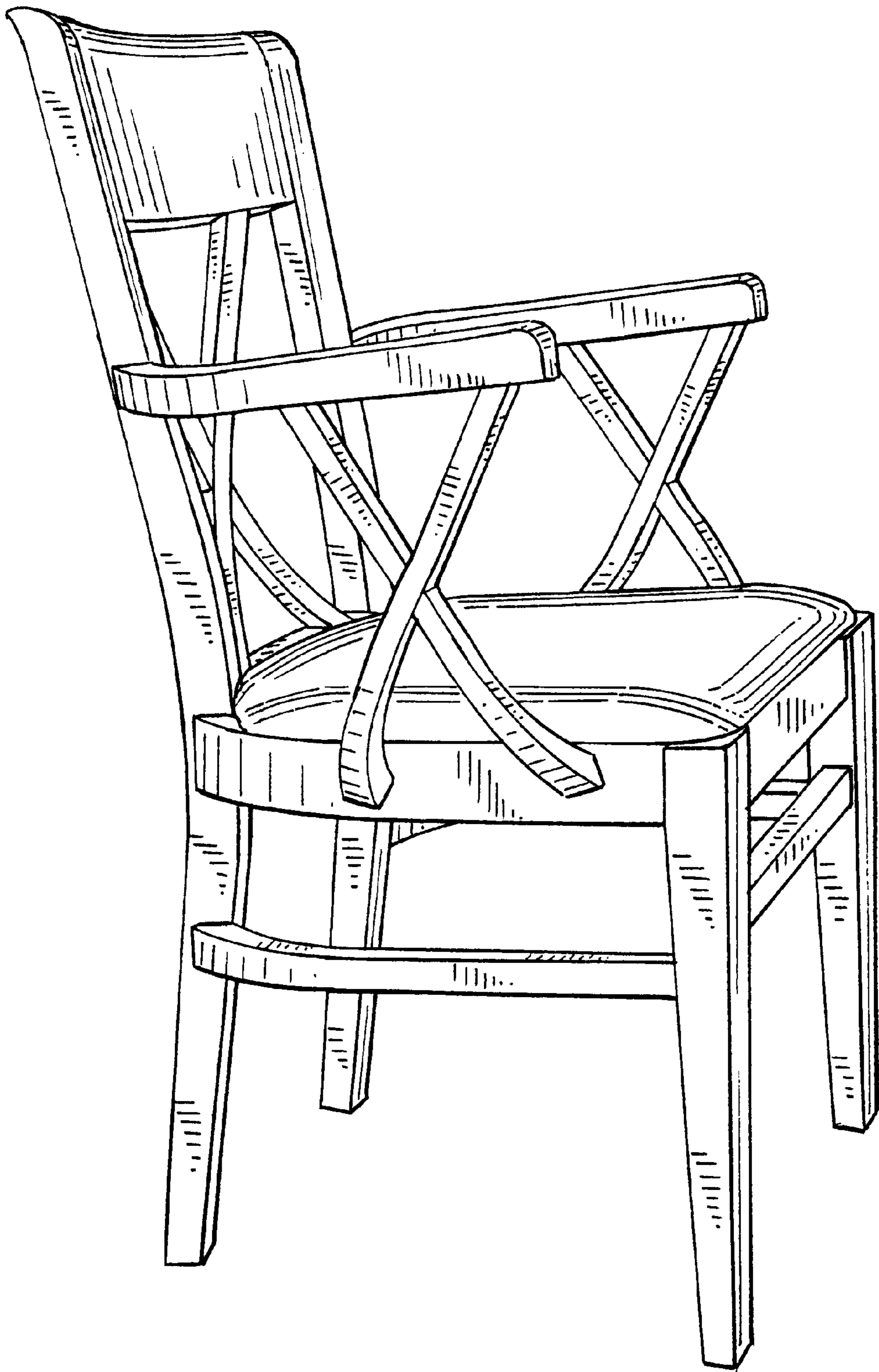


FIG. 3

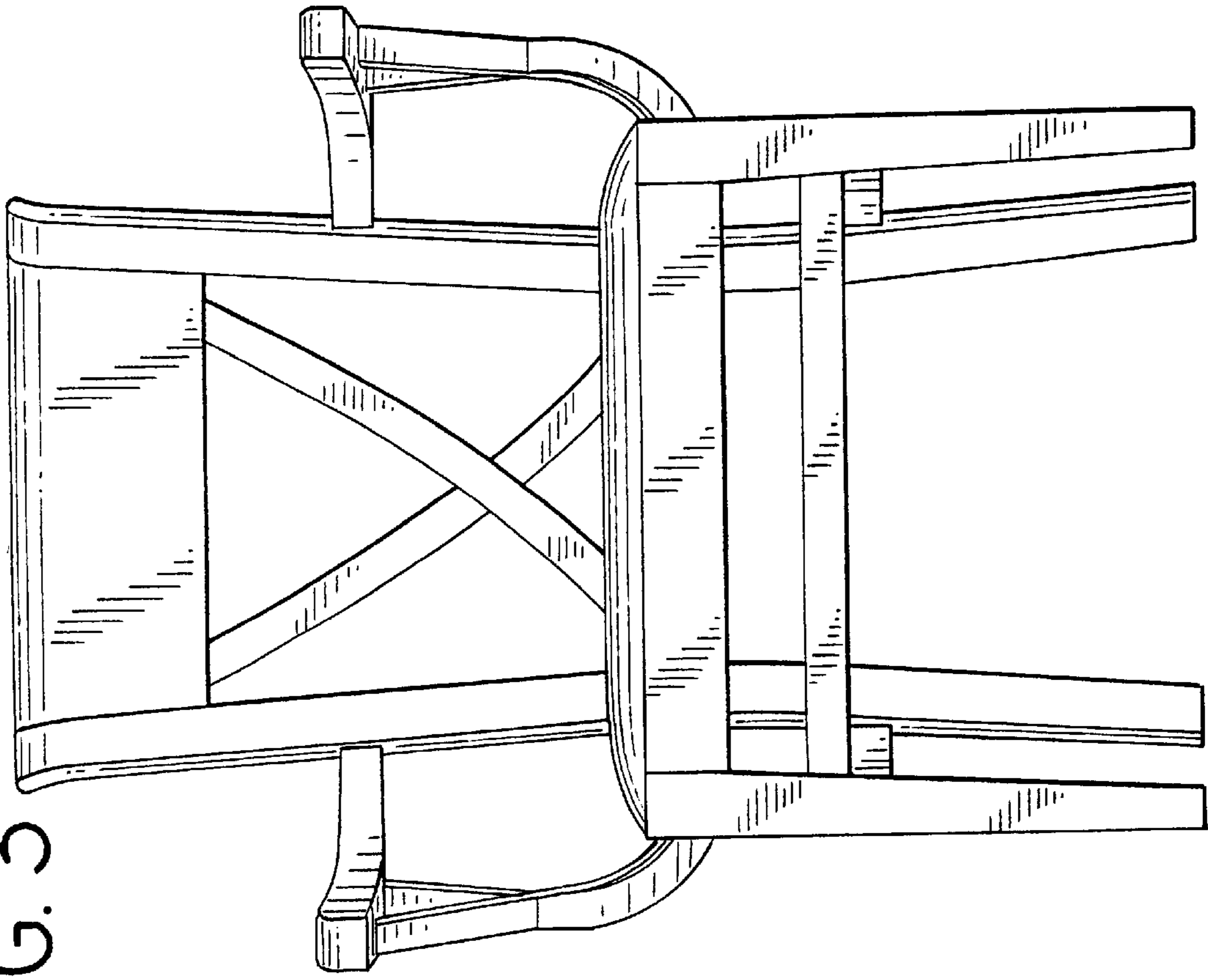


FIG. 2

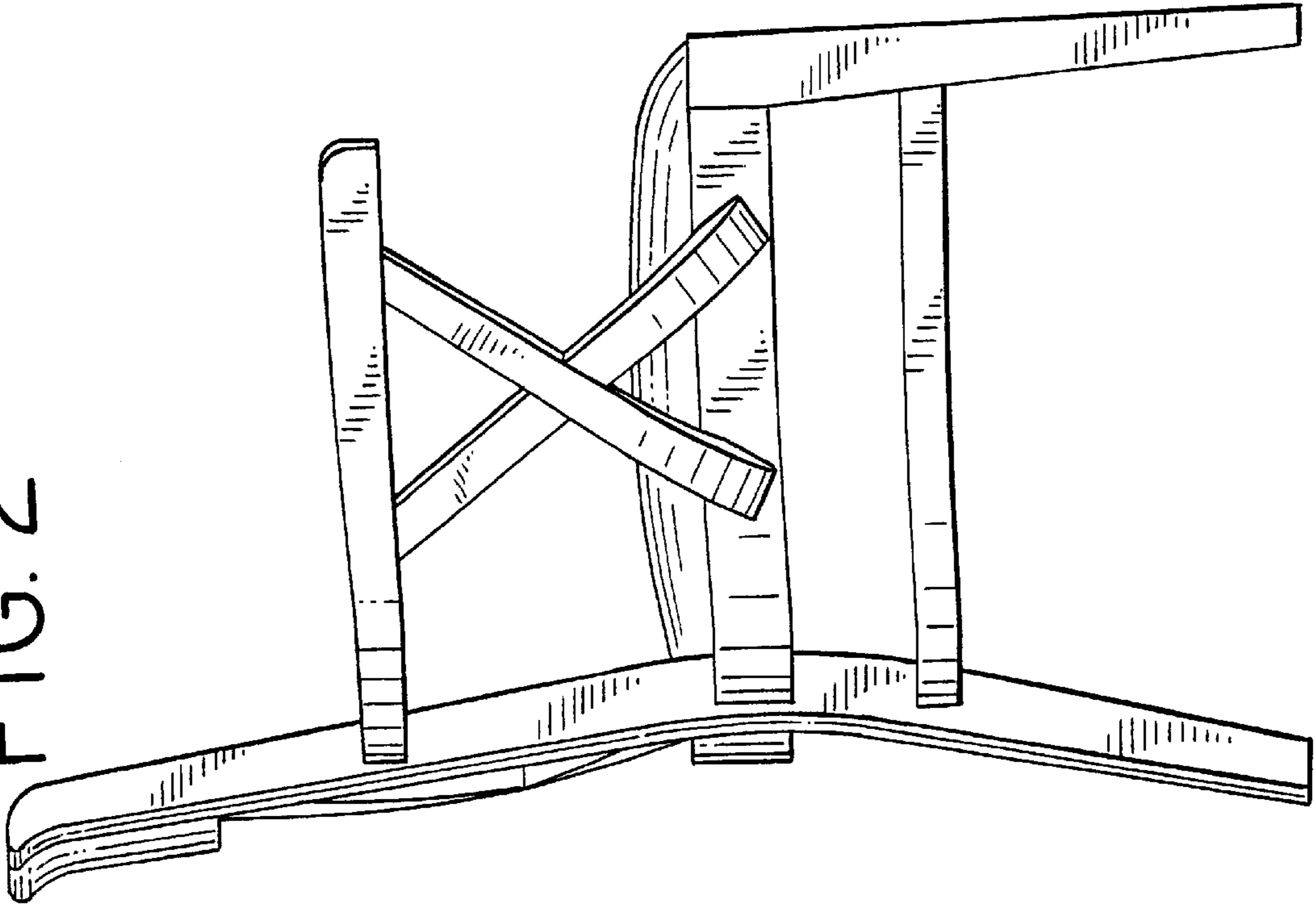


FIG. 5

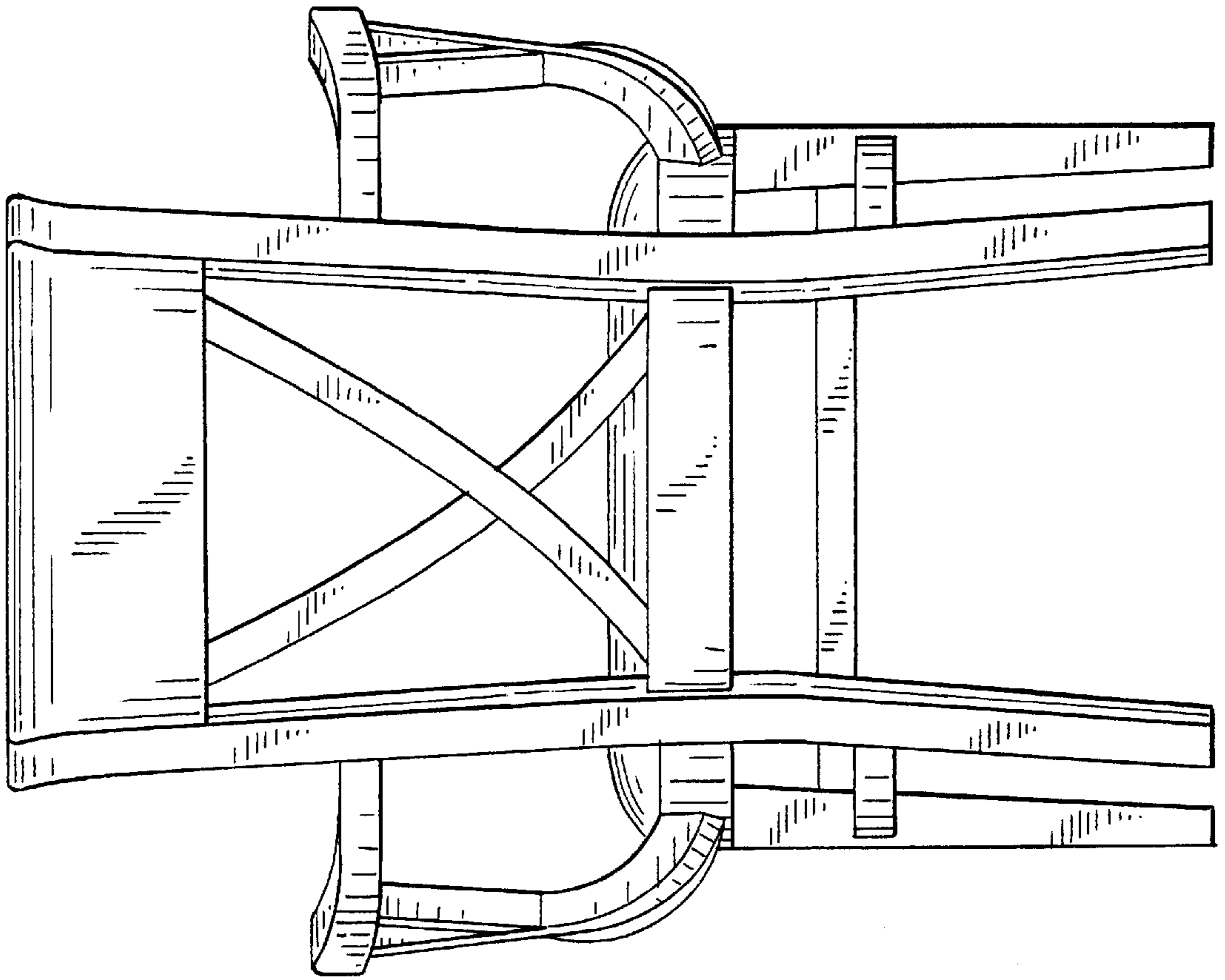


FIG. 4

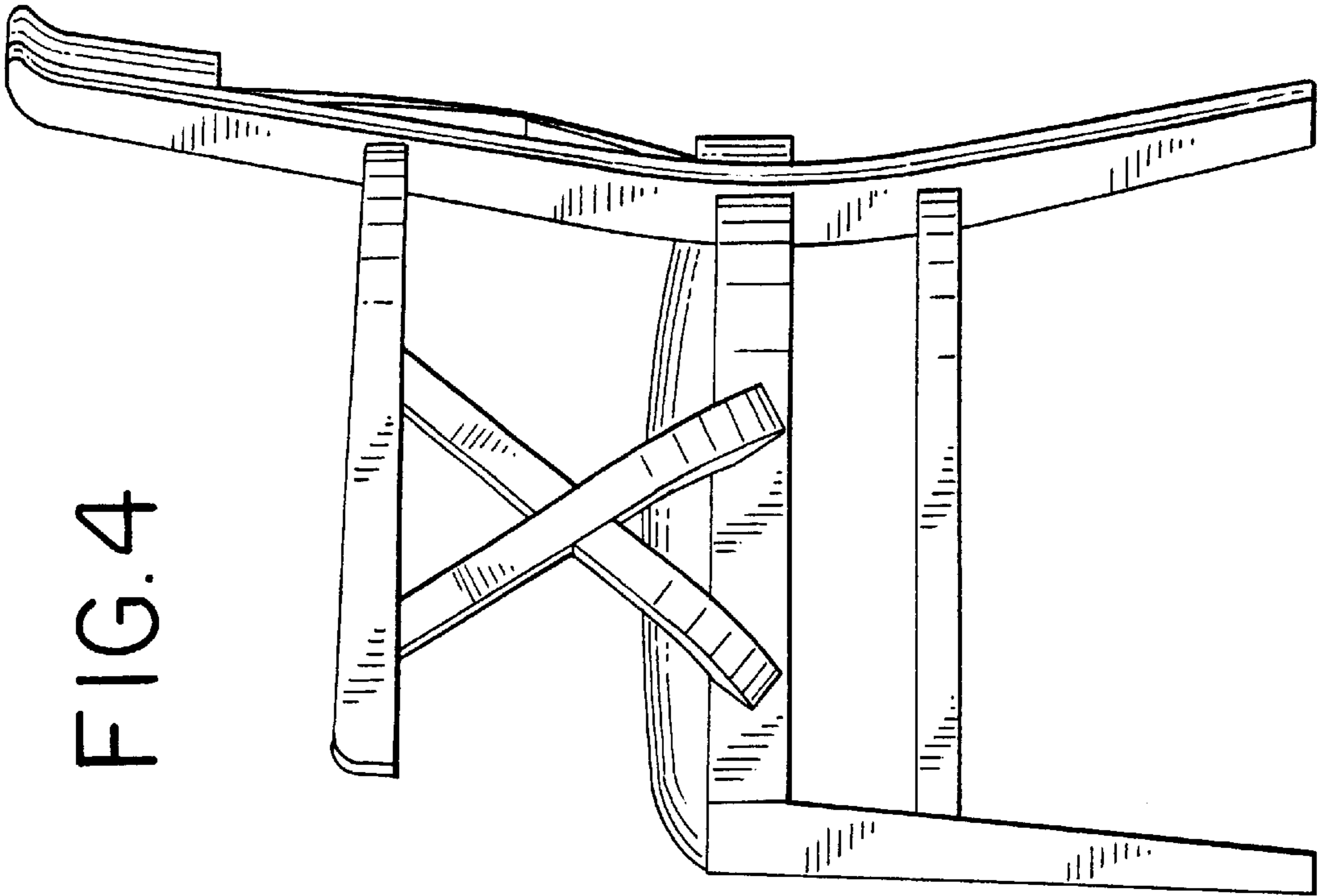


FIG. 6

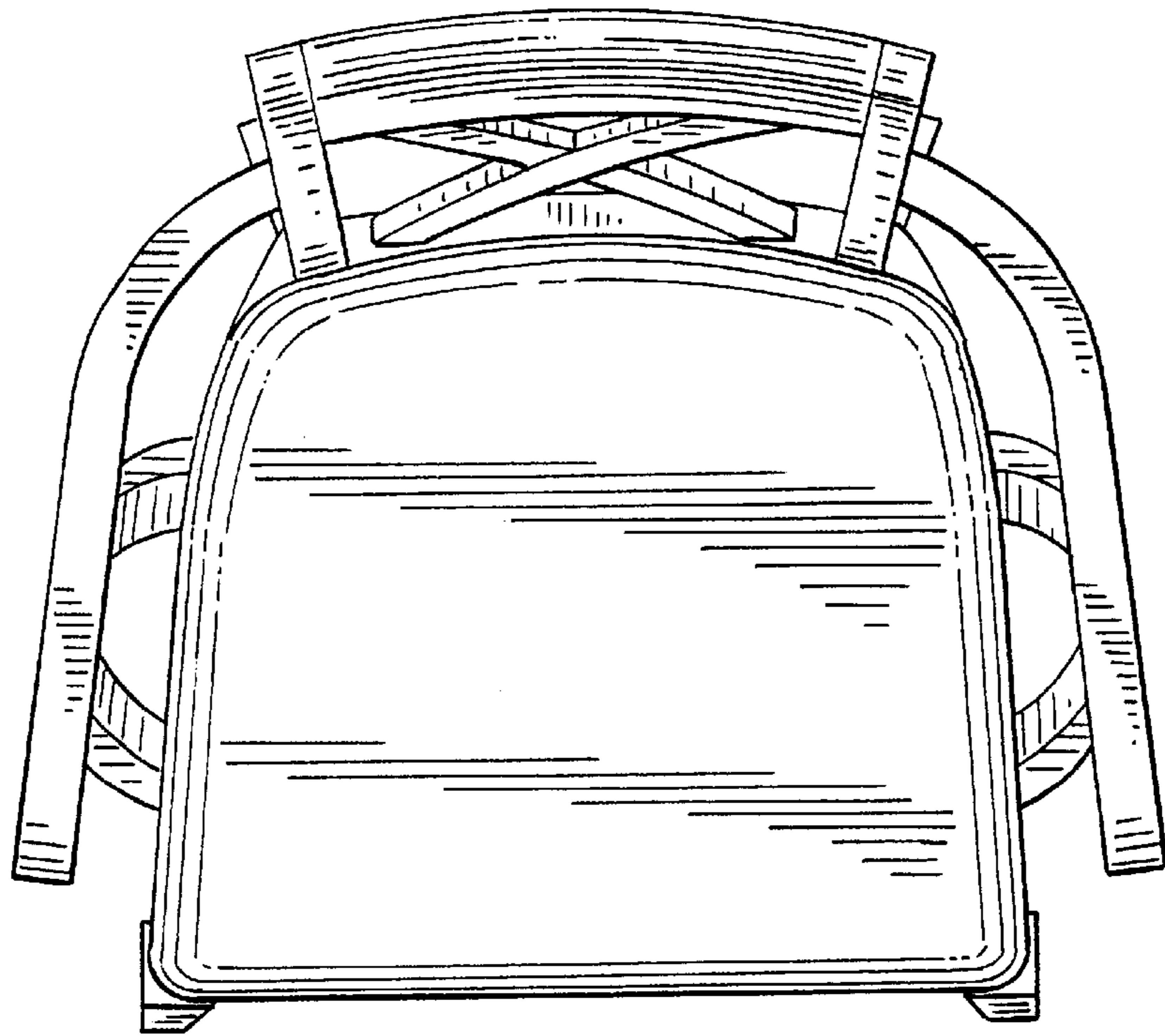


FIG. 7

