



US00D466318S

(12) **United States Design Patent**
Arnold

(10) **Patent No.:** **US D466,318 S**

(45) **Date of Patent:** **** Dec. 3, 2002**

(54) **BENCH**

(75) Inventor: **Paul Arnold**, Grove City, PA (US)

(73) Assignee: **Keystone Ridge Designs, Inc.**, Butler, PA (US)

(**) Term: **14 Years**

(21) Appl. No.: **29/156,342**

(22) Filed: **Feb. 27, 2002**

(51) **LOC (7) Cl.** **06-01**

(52) **U.S. Cl.** **D6/370; D6/381**

(58) **Field of Search** D6/334, 335, 370,
D6/374, 376, 379, 380, 381, 500, 501,
502; 297/232, 445.1, 446.1, 452.63

(56) **References Cited**

U.S. PATENT DOCUMENTS

D197,968 S	*	4/1964	Leachman	D6/370
D376,270 S	*	12/1996	Slear	D6/370
D376,271 S	*	12/1996	Skalka	D6/370
D383,615 S	*	9/1997	Skalka	D6/370
D406,701 S	*	3/1999	Slear	D6/376
D440,420 S	*	4/2001	Goldstein	D6/370
D446,399 S	*	8/2001	Slear	D6/370
D457,742 S	*	5/2002	Arnold	D6/370

OTHER PUBLICATIONS

Dumor Catalog, "Bench 118", p. 12, date unknown.
Smith and Hawken Trade catalog, pp. 43 & 44, date unknown.

Source unknown, "The Ribbon Series", p. 39, date unknown.

Rockler Pro catalog, Rustic Cedar Furniture, p. 116, date unknown.

* cited by examiner

Primary Examiner—Gary D. Watson

(74) *Attorney, Agent, or Firm*—Heslin Rothenberg Farley & Mesiti P.C.

(57) **CLAIM**

The ornamental design for the bench, as shown and described.

DESCRIPTION

FIG. 1 is a perspective view of a bench comprising the new design;

FIG. 2 is a top view thereof;

FIG. 3 is a front elevational view thereof;

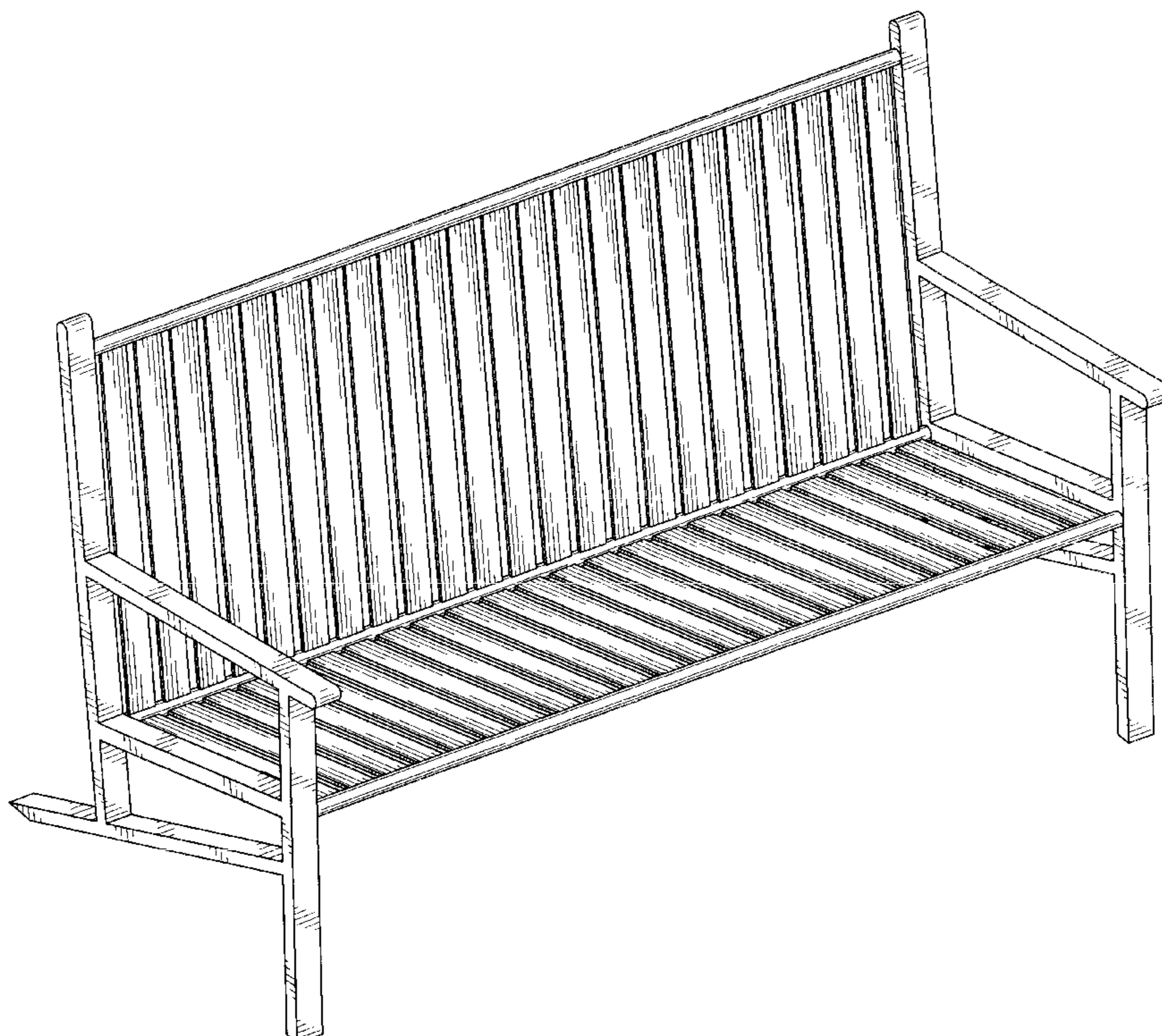
FIG. 4 is a left side elevational view thereof, where the right side elevational view is a mirror image thereof;

FIG. 5 is a rear elevational view thereof;

FIG. 6 is a bottom view thereof; and,

FIG. 7 is a perspective view of a second embodiment of a bench, portions of which are cut away to illustrate indeterminate length which is the sole difference between it and FIGS. 1 through 6.

1 Claim, 7 Drawing Sheets



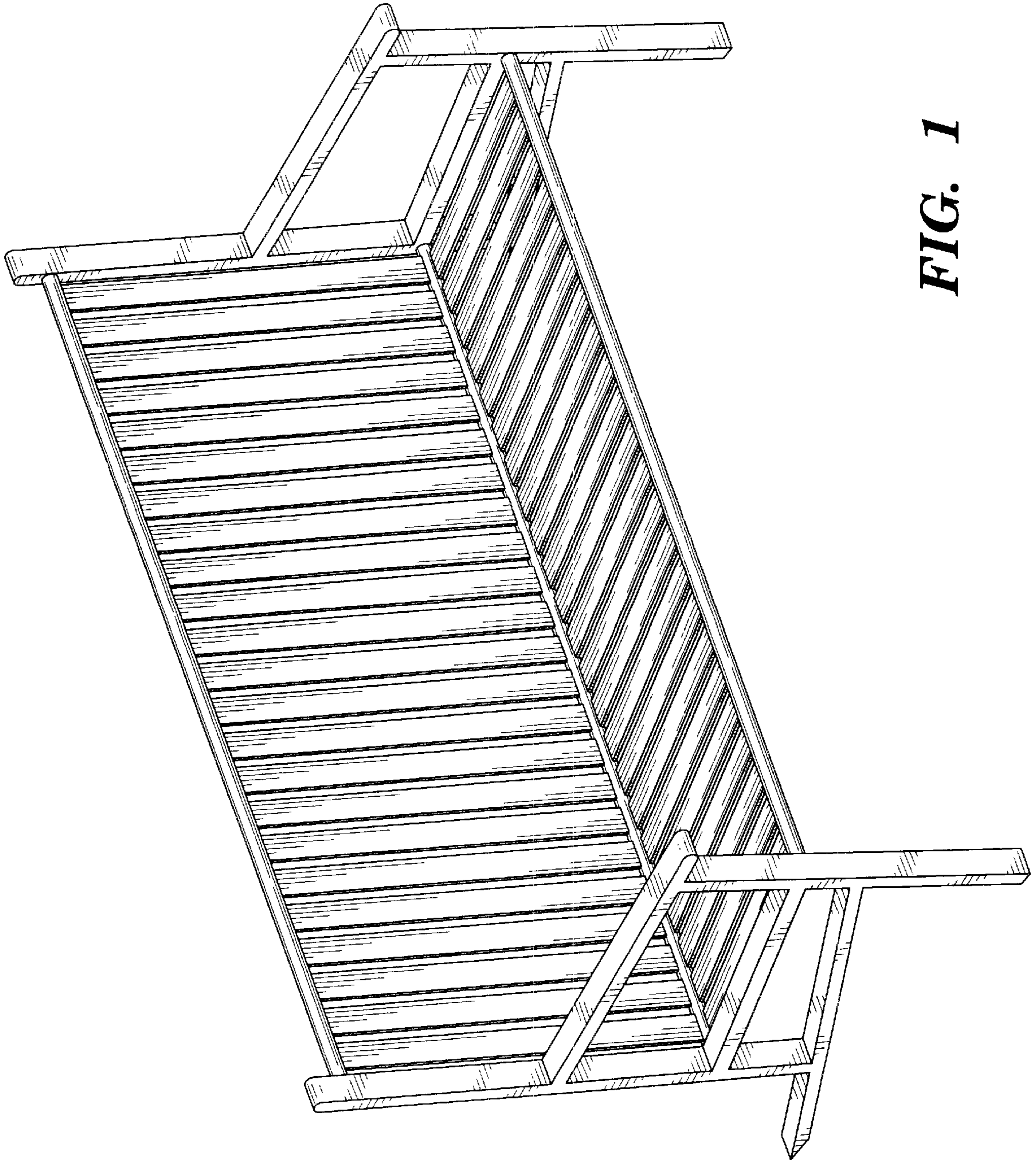


FIG. 1

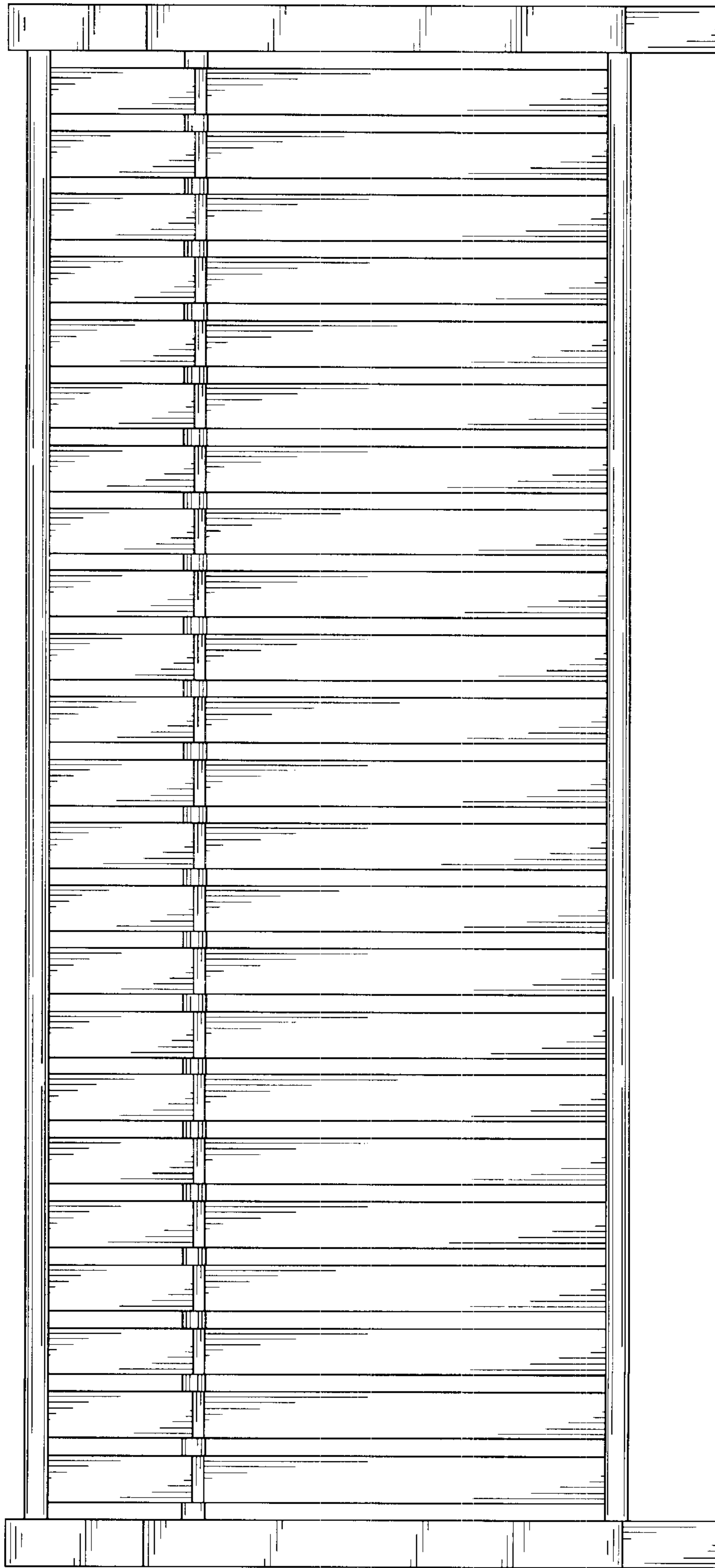


FIG. 2

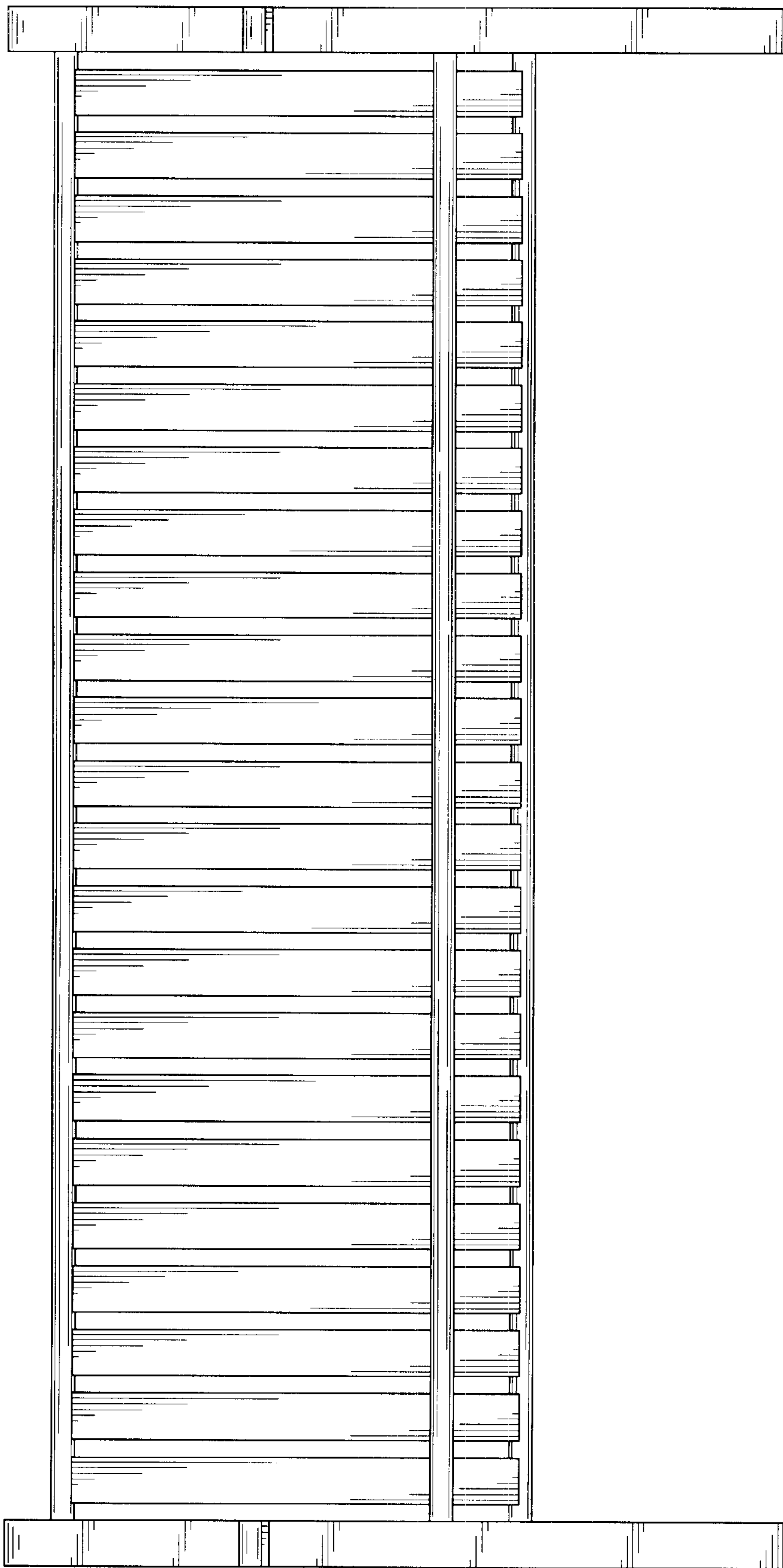


FIG. 3

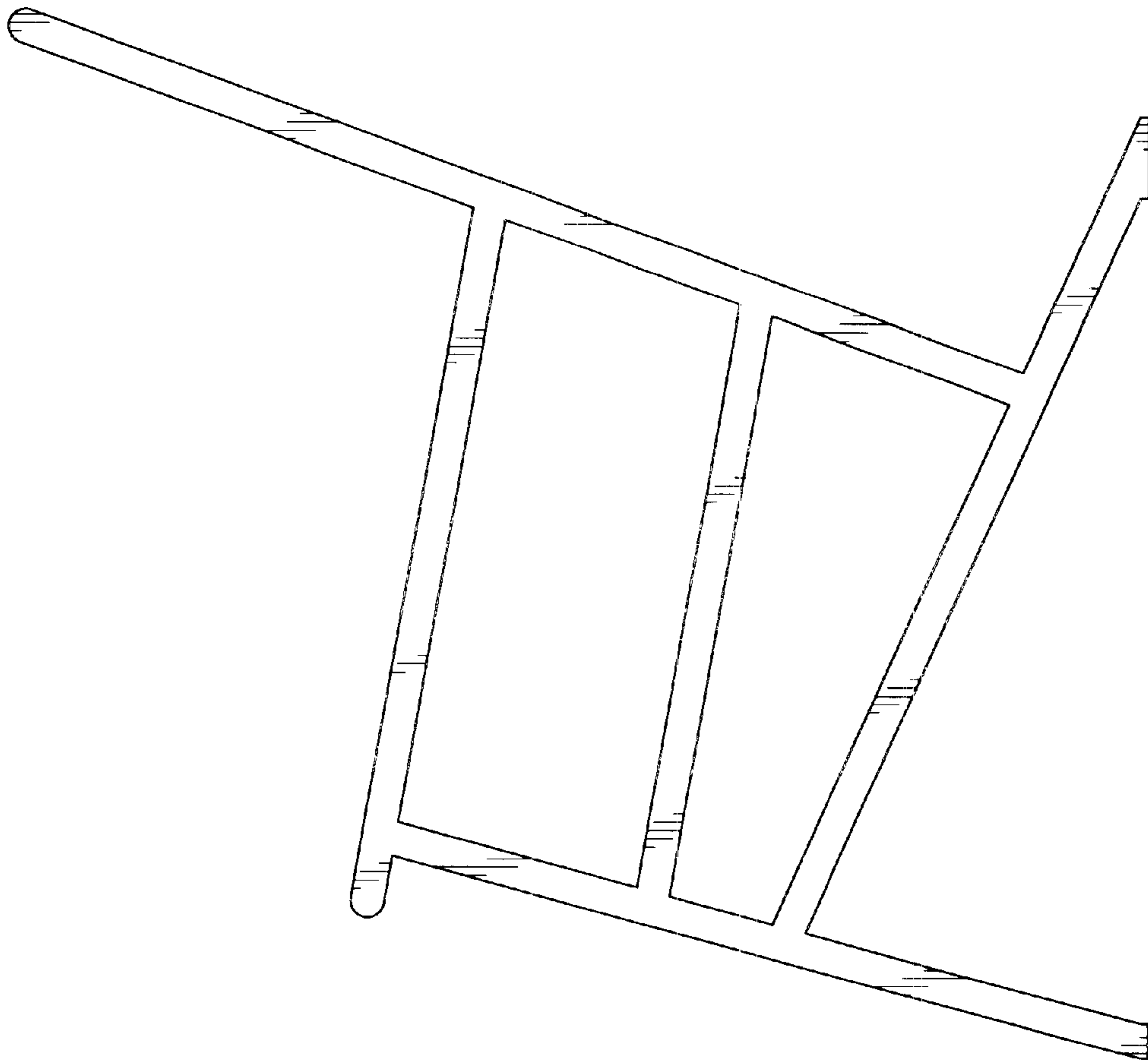


FIG. 4

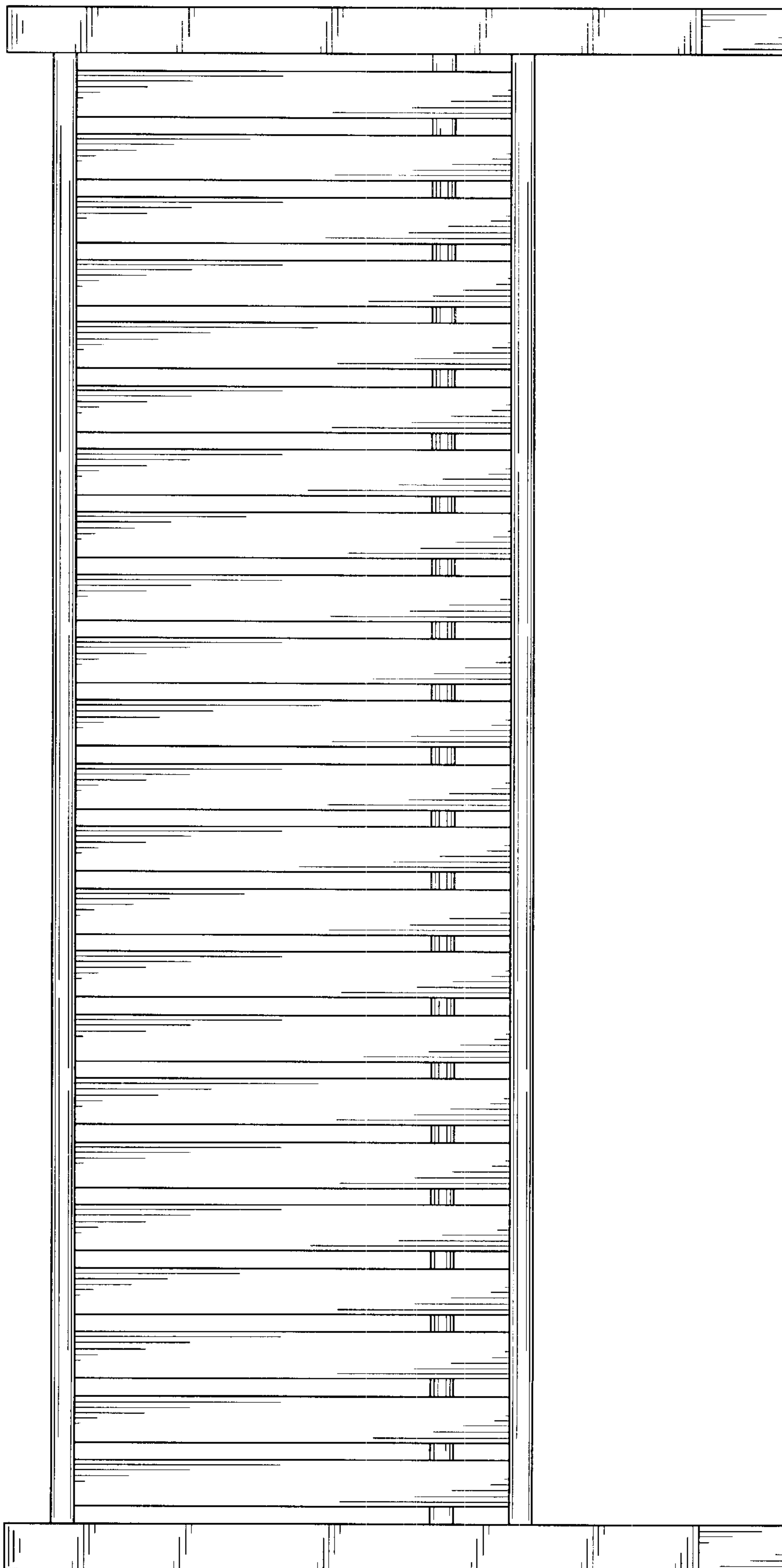


FIG. 5

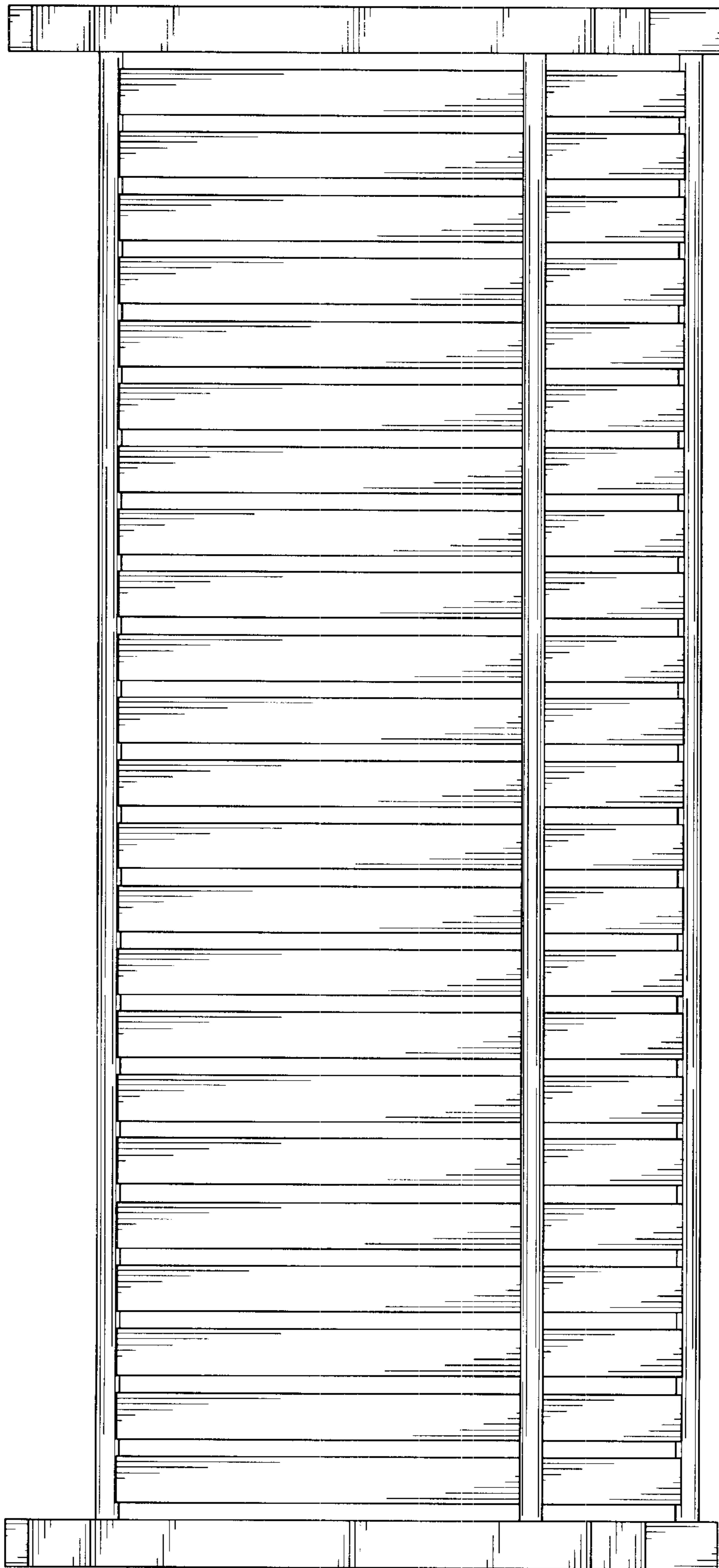


FIG. 6

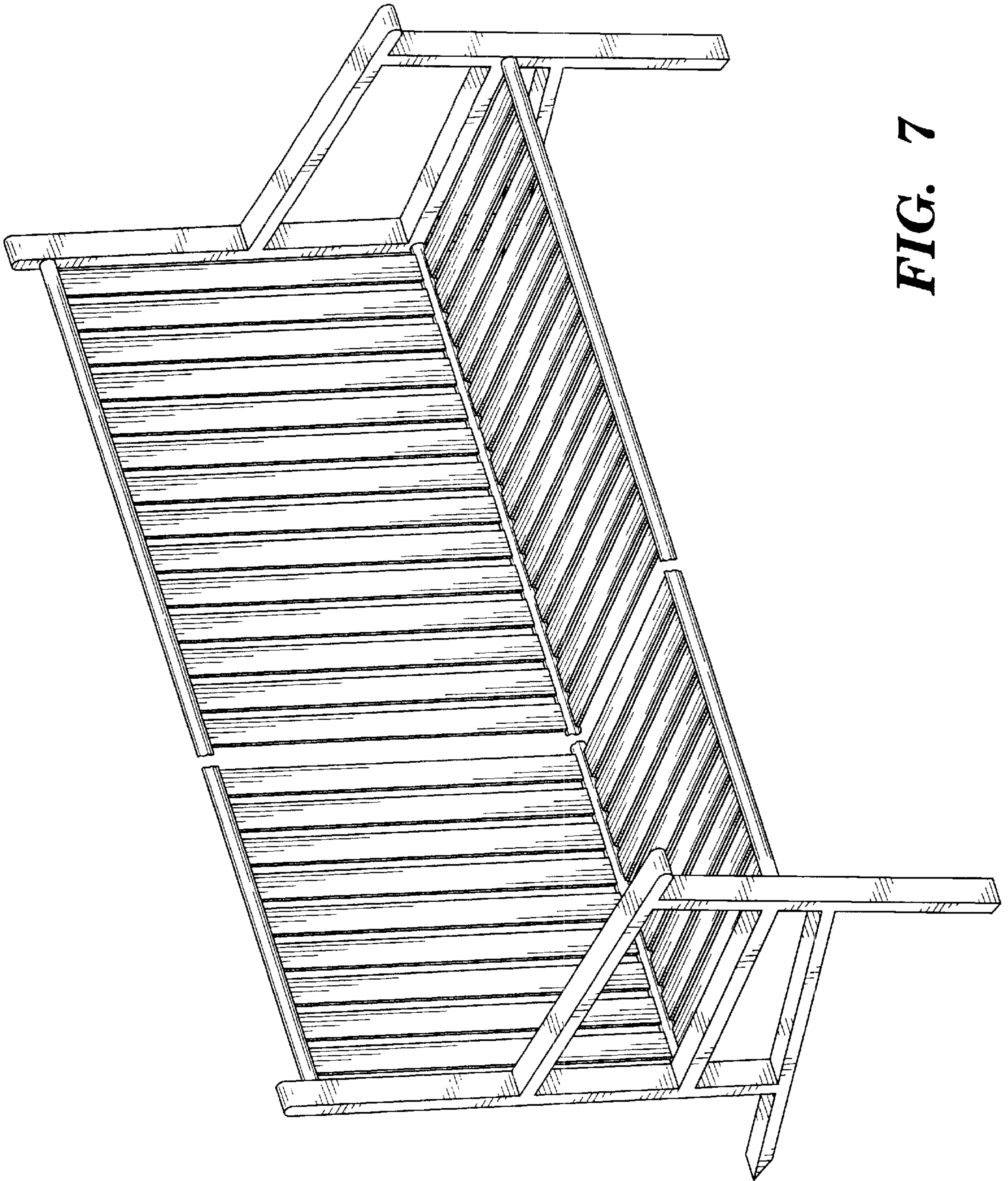


FIG. 7