



US00D466315S

(12) **United States Design Patent**
Egnatovich, Jr.

(10) **Patent No.:** **US D466,315 S**

(45) **Date of Patent:** **** Dec. 3, 2002**

(54) **JUMP SEAT FRAME**

D136,786 S * 12/1943 Shumaker D6/347
D355,013 S * 1/1995 Schechner D6/347

(76) Inventor: **Robert G Egnatovich, Jr.**, 54 W.
Highland Ave., Atlantic Highlands, NJ
(US) 07716

* cited by examiner

(**) Term: **14 Years**

Primary Examiner—Doris V. Coles
Assistant Examiner—Mimosa De
(74) *Attorney, Agent, or Firm*—Charles I. Brodsky

(21) Appl. No.: **29/159,779**

(57) **CLAIM**

(22) Filed: **Apr. 29, 2002**

The ornamental design for a jump seat frame, as shown and described.

(51) **LOC (7) Cl.** **06-01**

(52) **U.S. Cl.** **D6/347**

(58) **Field of Search** D6/333, 334, 335,
D6/344, 347, 500-502; D21/823; 297/273,
274, 277; 472/118, 120, 125

DESCRIPTION

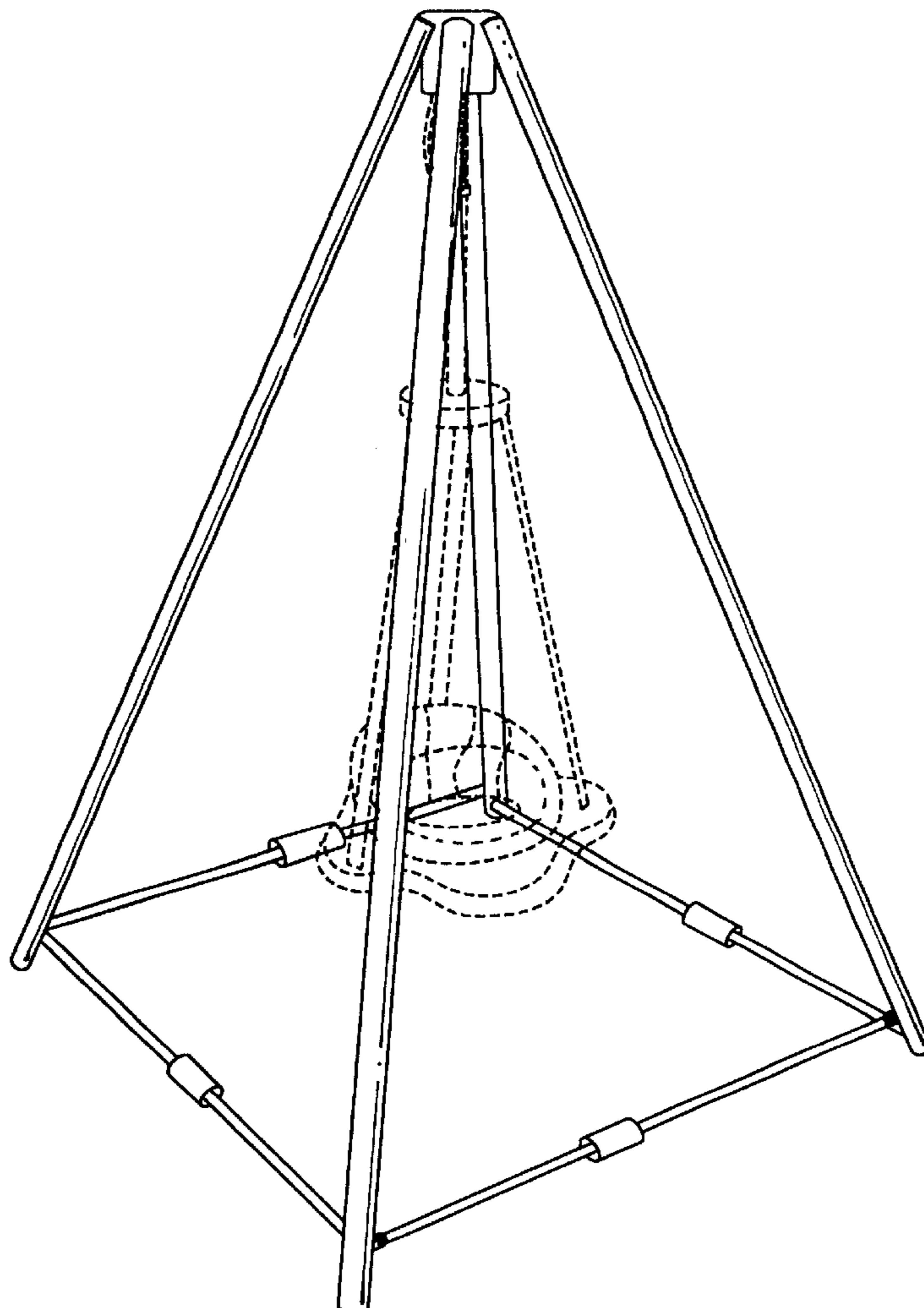
(56) **References Cited**

U.S. PATENT DOCUMENTS

1,221,850 A * 4/1917 Erwin 297/273
1,403,552 A * 1/1922 Holme 297/273
D122,073 S * 8/1940 Castelli D6/347

FIG. 1 is a perspective view of a jump seat frame, showing my new design;
FIG. 2 is a front elevational view thereof, with the rear and side elevational views thereof being mirror images; and,
FIG. 3 is a top plan view thereof, showing my new design.
The broken lines showing of the baby jump seat in FIG. 1 are for illustrative purposes only and form no part of the claimed design.

1 Claim, 3 Drawing Sheets



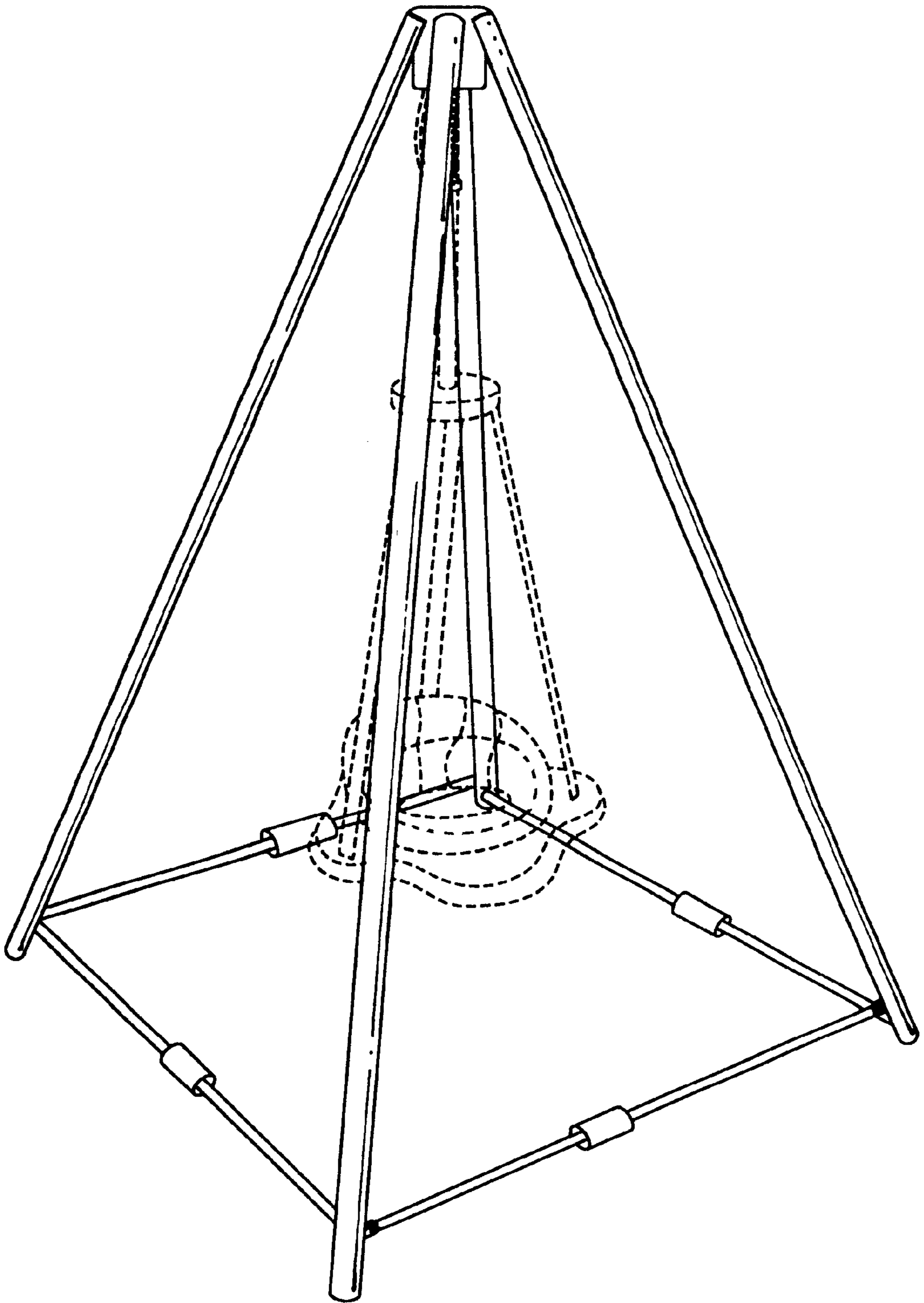


FIG. 1

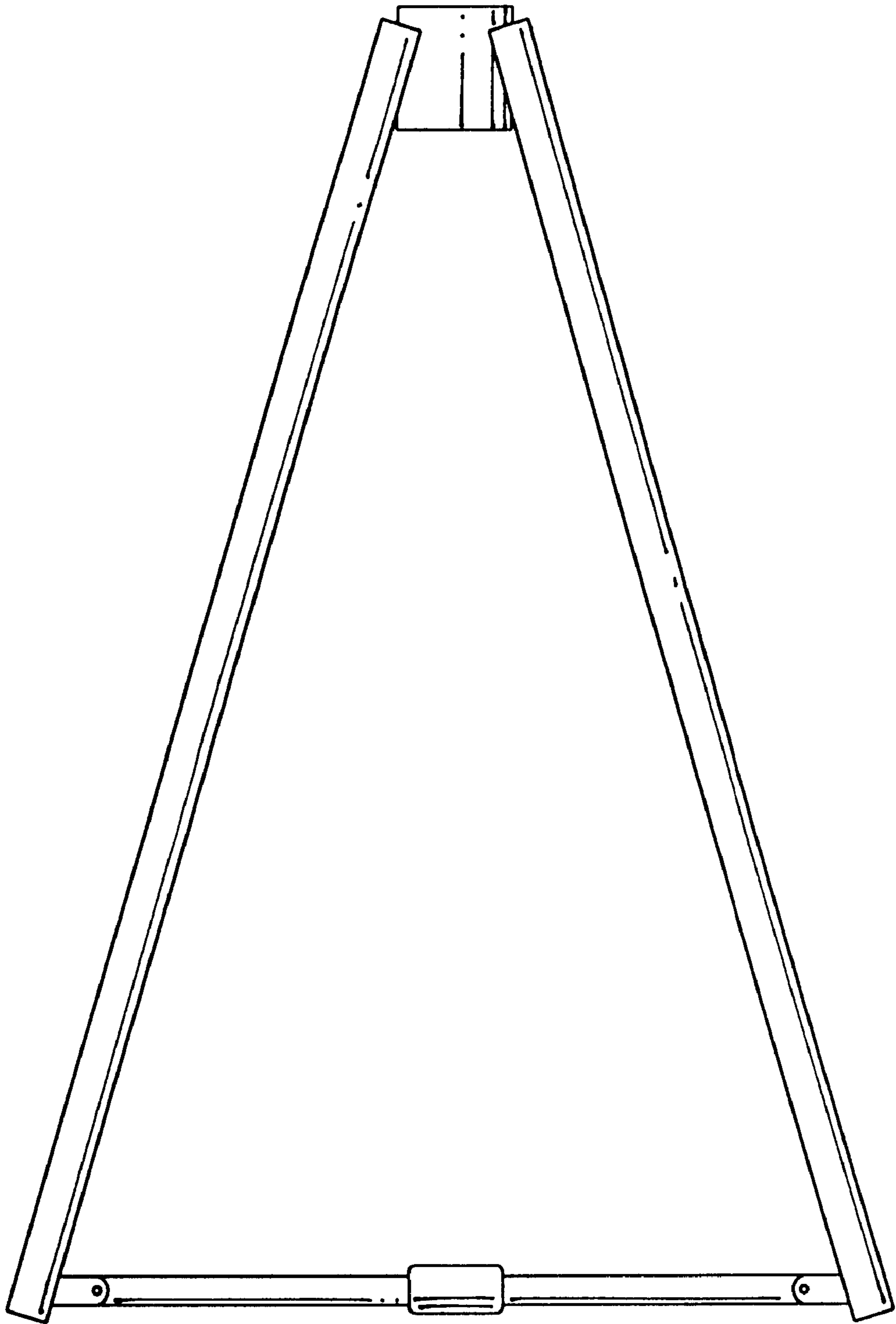


FIG. 2

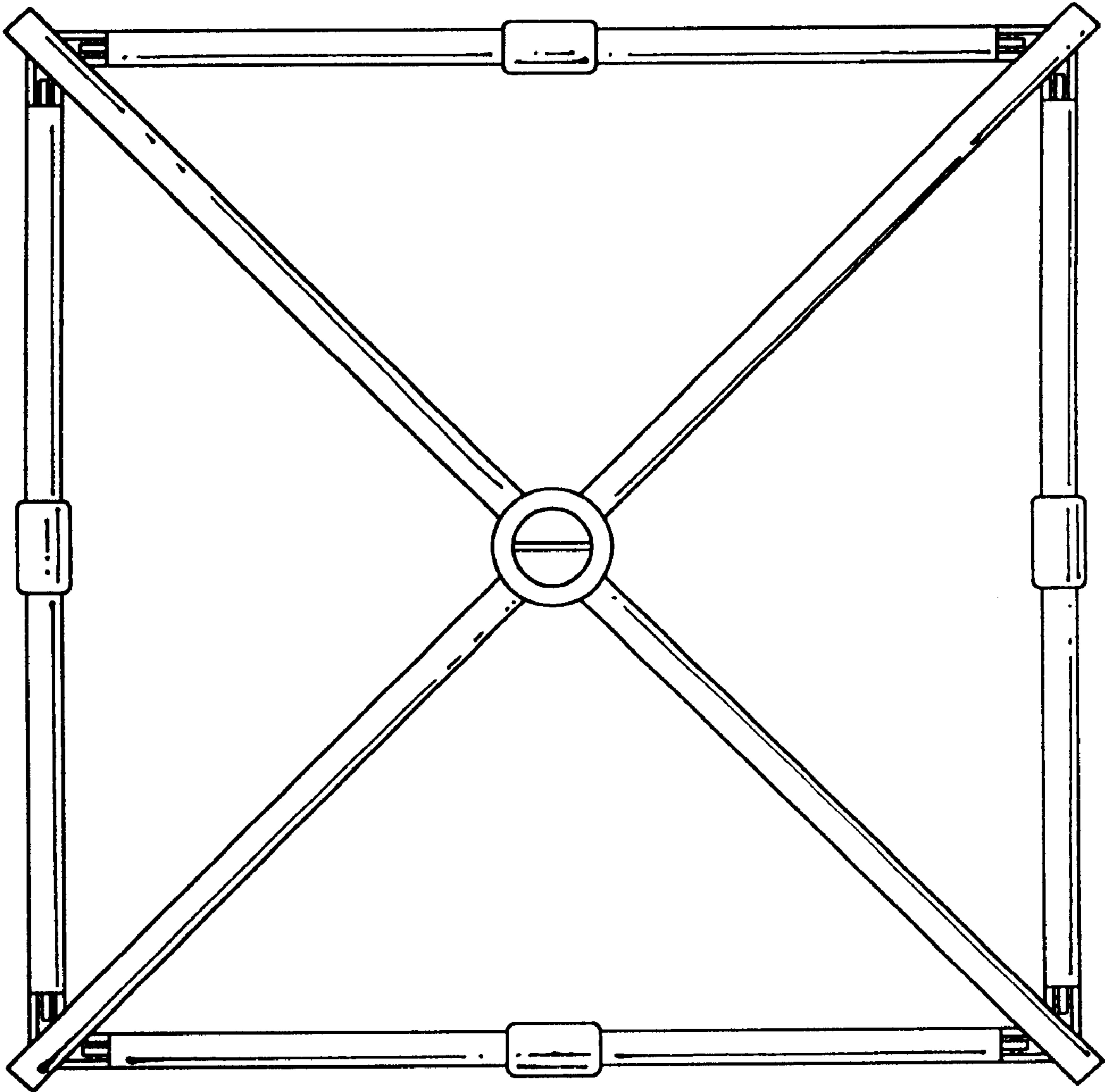


FIG. 3