



US00D466314S

(12) **United States Design Patent**
Noll

(10) **Patent No.:** **US D466,314 S**

(45) **Date of Patent:** **** Dec. 3, 2002**

- (54) **DOUBLE GLIDER WITH TABLE**
- (76) Inventor: **Ronald C. Noll**, 25 Fairway Trail,
Moreland Hills, OH (US) 44022
- (**) Term: **14 Years**
- (21) Appl. No.: **29/152,551**
- (22) Filed: **Dec. 20, 2001**
- (51) **LOC (7) Cl.** **06-01**
- (52) **U.S. Cl.** **D6/346**
- (58) **Field of Search** D6/334, 335, 336,
D6/344, 346, 347, 360, 370, 381, 500-502;
297/157.1, 135, 158.3, 244, 174 R, 232,
280-282, 287, 452.2; 472/118, 125

- D368,807 S 4/1996 Noll
- 5,667,273 A * 9/1997 Noll 297/282
- D400,720 S * 11/1998 Pomeroy et al. D6/344
- D405,301 S 2/1999 Fugazzi
- D410,340 S * 6/1999 Pomeroy et al. D6/344
- 5,938,283 A 8/1999 Babcock et al.
- D433,242 S * 11/2000 Langston D6/346
- D444,306 S * 7/2001 Jaisinghani D6/346
- D450,194 S 11/2001 Liu

OTHER PUBLICATIONS

Declaration of Ronald C. Noll, Executed Mar. 22, 2002.

* cited by examiner

Primary Examiner—Doris V. Coles
Assistant Examiner—Mimosa De
(74) *Attorney, Agent, or Firm*—Pearne & Gordon LLP

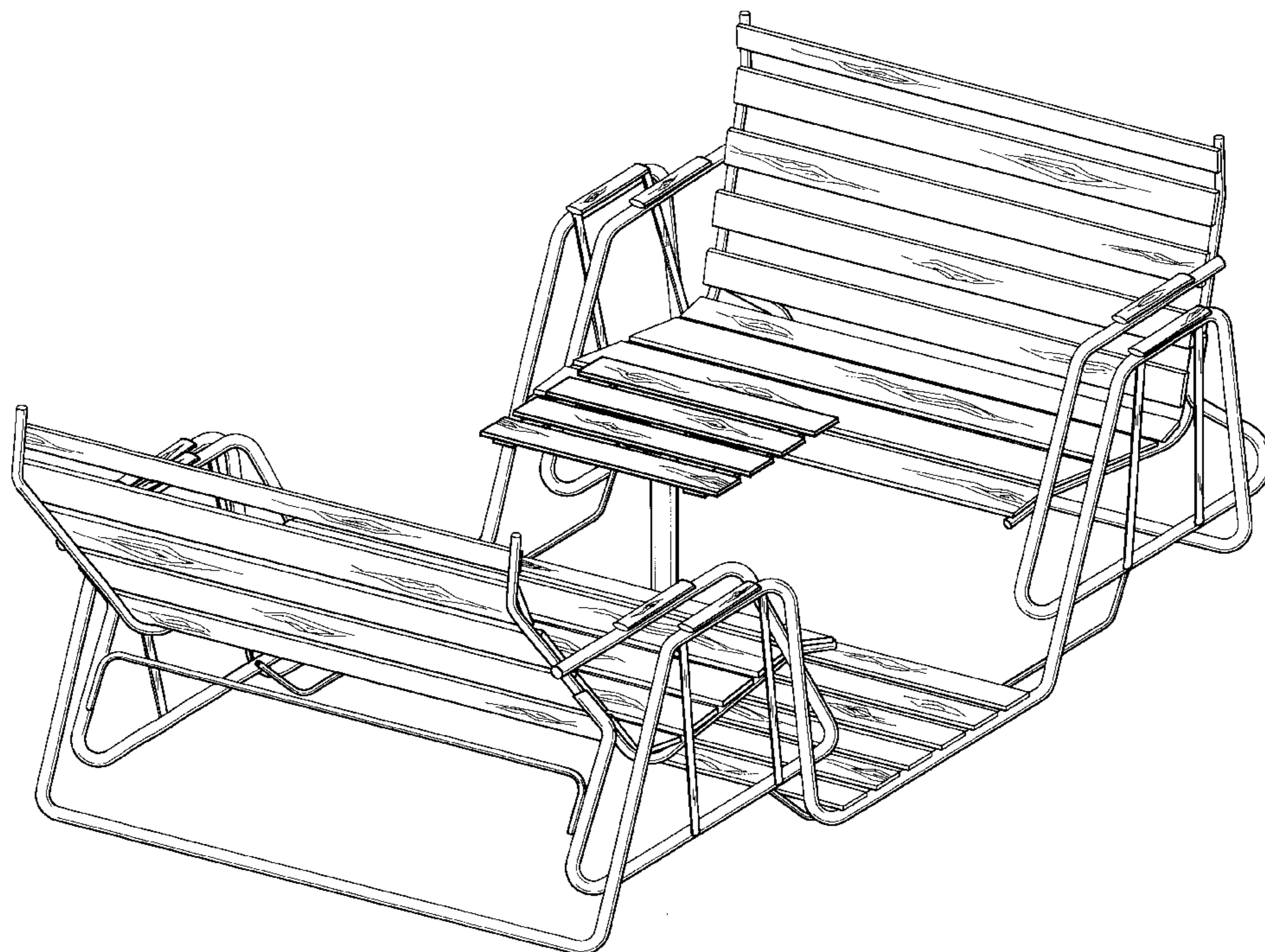
- (56) **References Cited**
- U.S. PATENT DOCUMENTS**
- 539,723 A 5/1895 Caisse
- 1,026,179 A 5/1912 Regan
- 1,300,680 A 4/1919 Wilson
- D117,622 S * 11/1939 Smith D6/346
- D141,676 S * 6/1945 Cosme D6/346
- D149,900 S * 6/1948 Mock D6/346
- 3,825,299 A 7/1974 Gaucher
- 3,894,496 A 7/1975 Philips et al.
- D259,308 S * 5/1981 Sroub D6/347
- D276,927 S * 12/1984 Bolin D6/346
- 4,620,702 A 11/1986 Hemmeter
- D298,490 S * 11/1988 Pomeroy et al. D6/347
- D334,485 S * 4/1993 Pomeroy et al. D6/344
- D350,855 S * 9/1994 Pomeroy et al. D6/344
- D366,156 S * 1/1996 Babcock et al. D6/346

- (57) **CLAIM**
- The ornamental design for a double glider with table, as shown and described.

DESCRIPTION

FIG. 1 is a perspective view of a double glider with table showing my new design;
FIG. 2 is a top plan view thereof;
FIG. 3 is a left side elevation view thereof, the right side being the same;
FIG. 4 is a front elevation view thereof, the rear being the same; and,
FIG. 5 is a bottom plan view thereof.

1 Claim, 4 Drawing Sheets



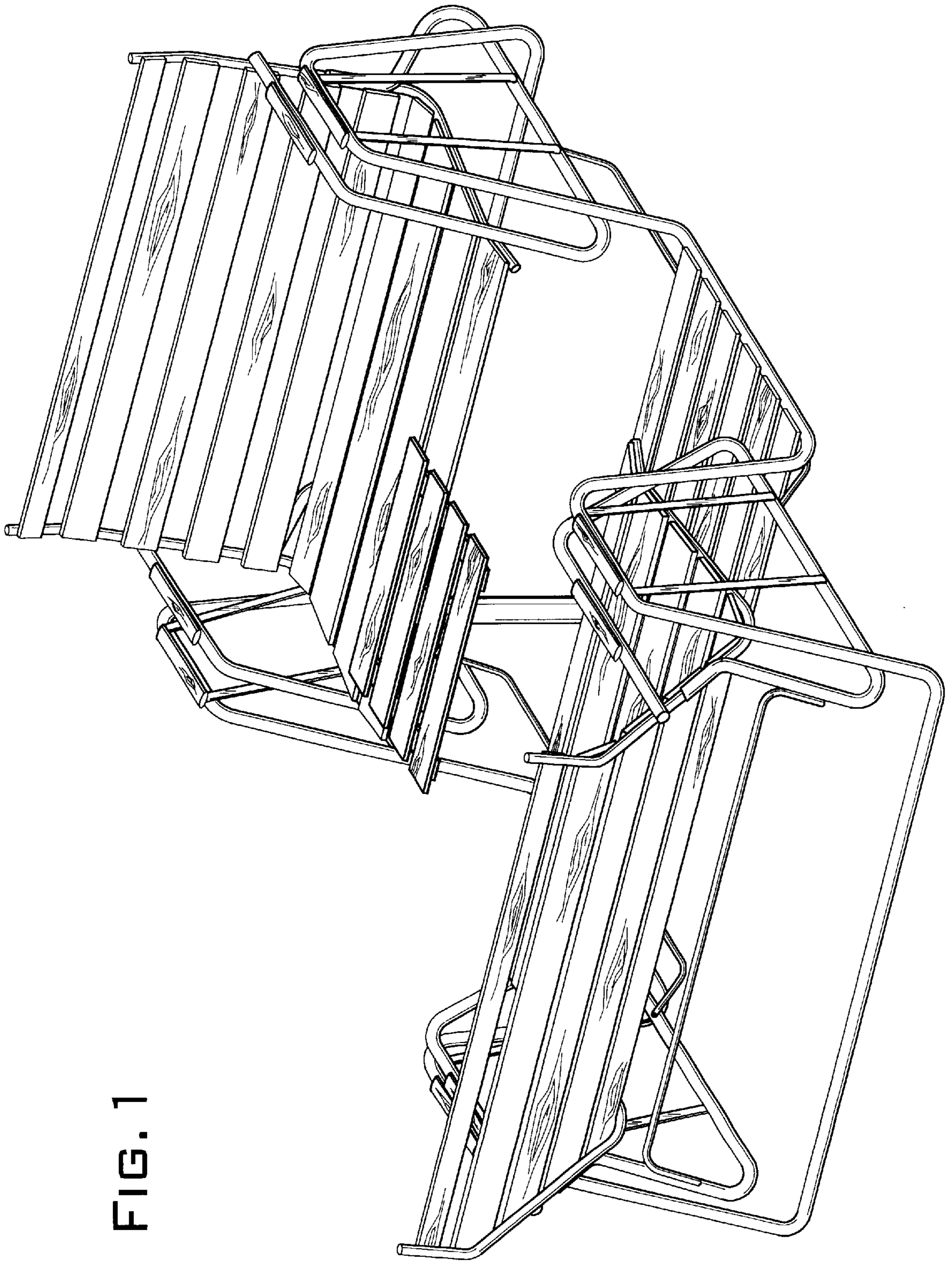


FIG. 1

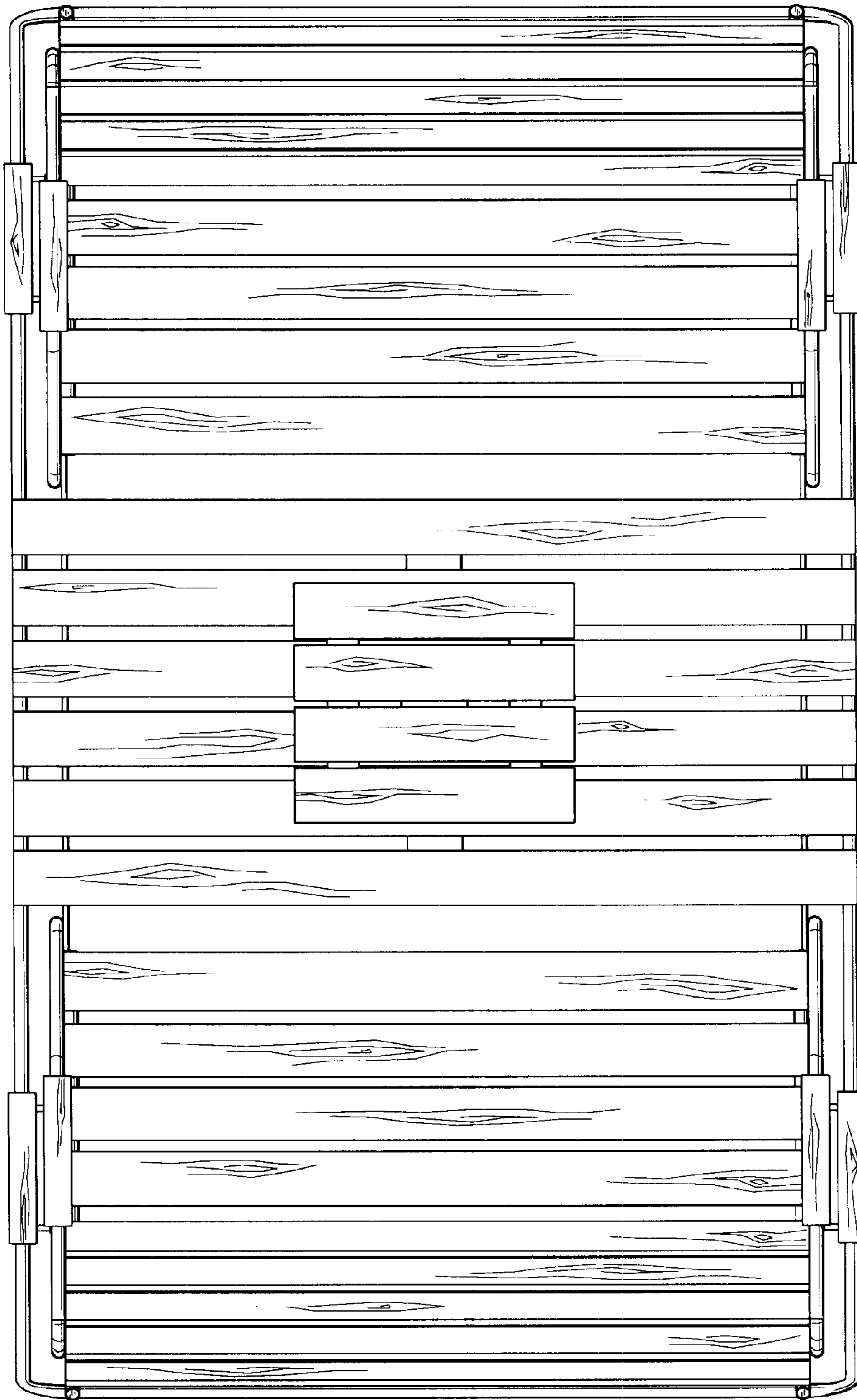


FIG. 2

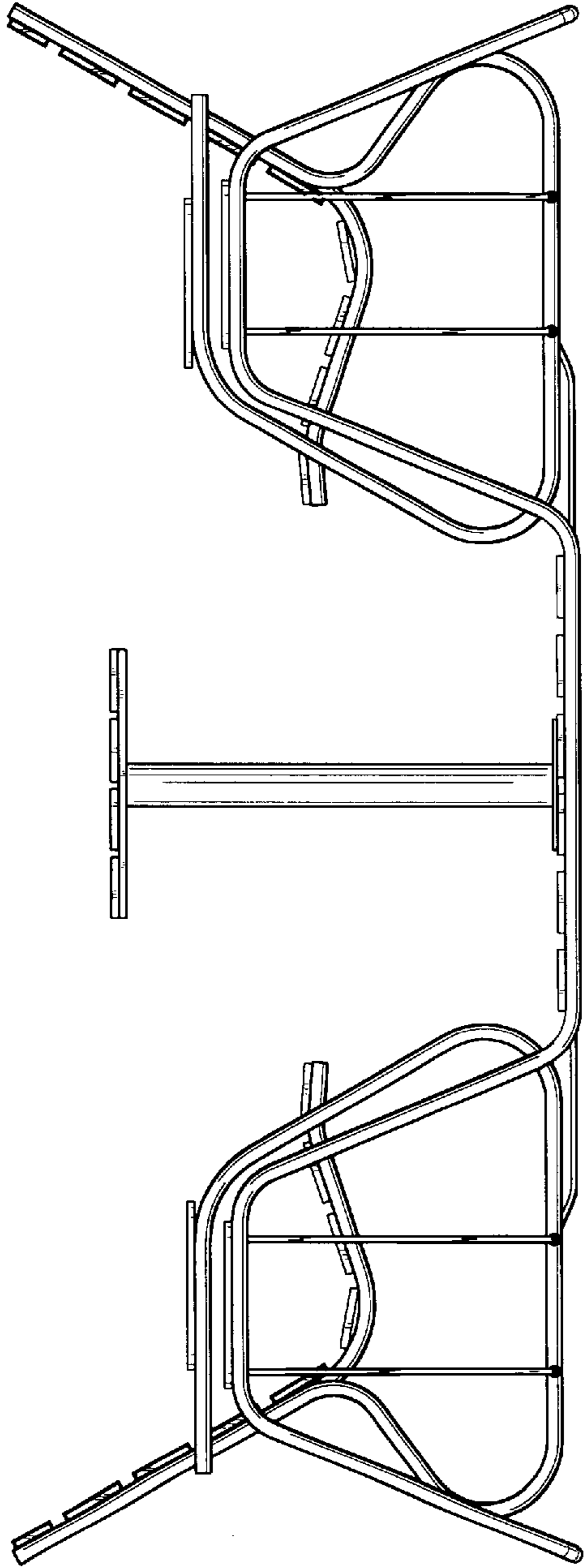


FIG. 3

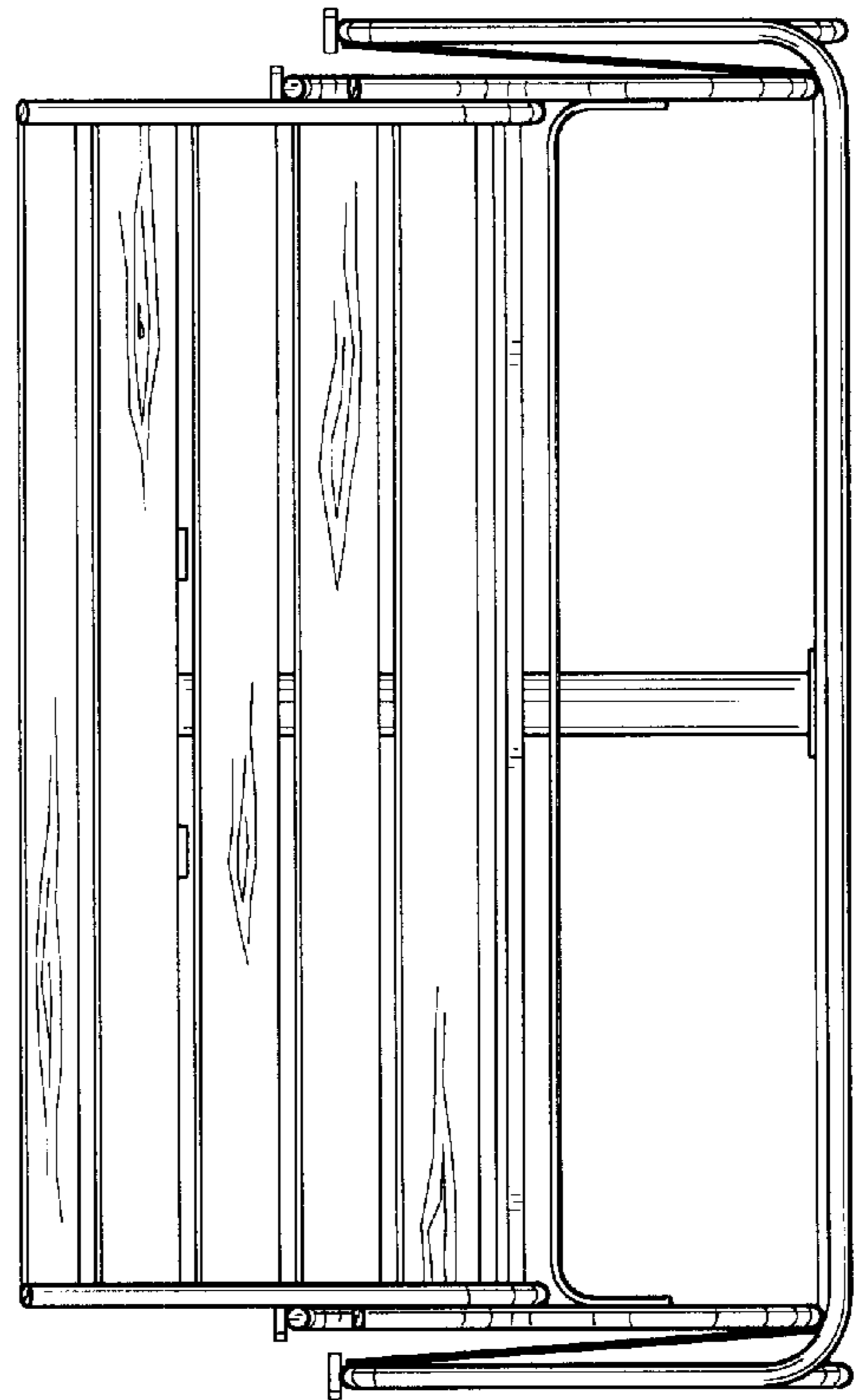


FIG. 4

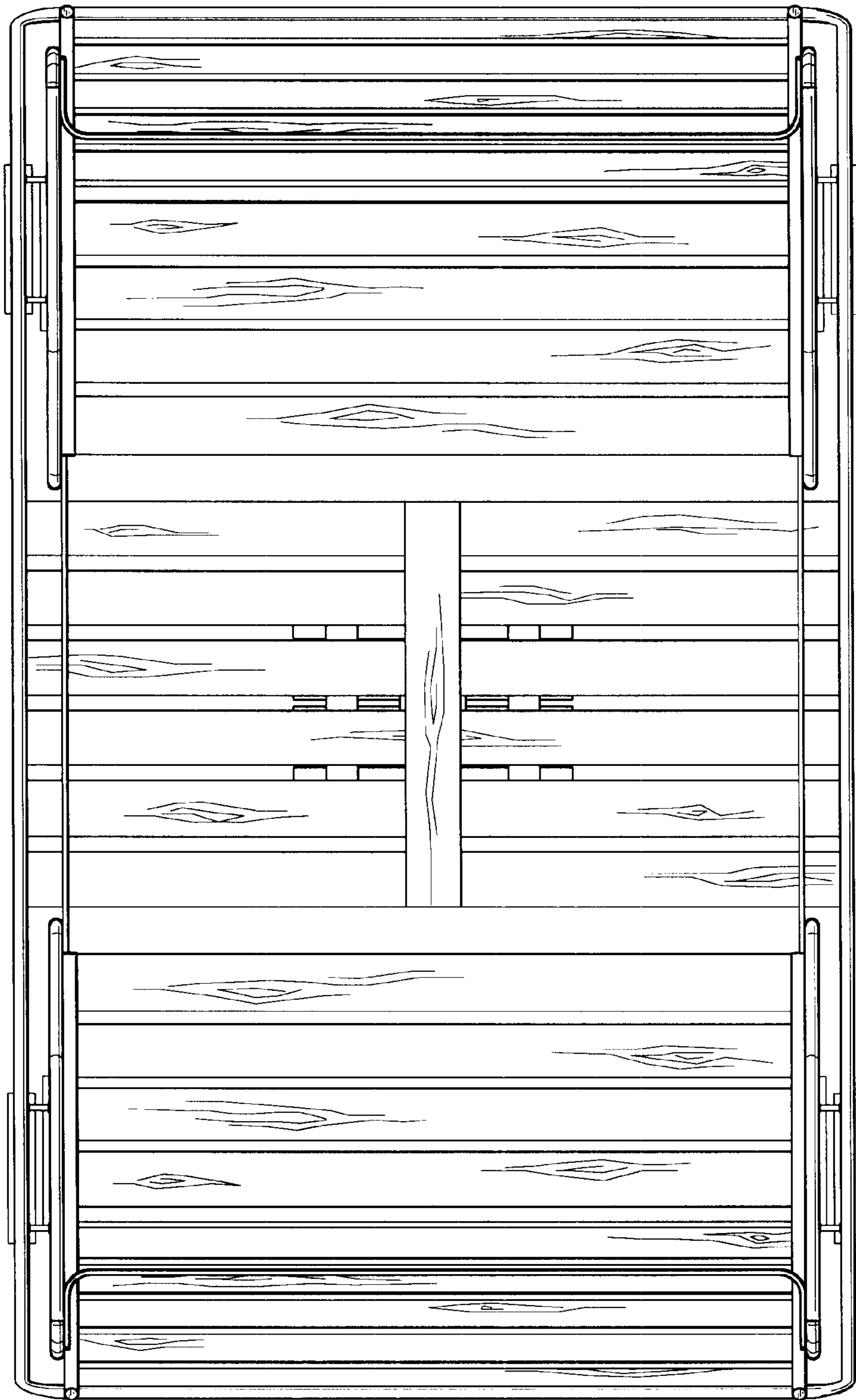


FIG. 5

UNITED STATES PATENT AND TRADEMARK OFFICE
CERTIFICATE OF CORRECTION

PATENT NO. : Des. 466,314 S
DATED : December 3, 2002
INVENTOR(S) : Ronald C. Noll

Page 1 of 1

It is certified that error appears in the above-identified patent and that said Letters Patent is hereby corrected as shown below:

Title page,

Item [56], **References Cited**, please insert the following reference:

-- D323,942 S * 2/1992 Tartarchuk D6/347 --

Signed and Sealed this

Eleventh Day of March, 2003

A handwritten signature in black ink, appearing to read "James E. Rogan", with a horizontal line drawn underneath it.

JAMES E. ROGAN
Director of the United States Patent and Trademark Office