



US00D466312S

(12) **United States Design Patent**  
**Hutton**

(10) **Patent No.:** **US D466,312 S**

(45) **Date of Patent:** **\*\* Dec. 3, 2002**

(54) **CLUB CHAIR**

(76) **Inventor:** **John Hutton**, 36 DeForest Ave., West Islip, NY (US) 11795

(\*\*) **Term:** **14 Years**

(21) **Appl. No.:** **29/155,666**

(22) **Filed:** **Feb. 13, 2002**

(51) **LOC (7) Cl.** ..... **06-01**

(52) **U.S. Cl.** ..... **D6/334**

(58) **Field of Search** ..... D6/334, 374, 375,  
D6/500, 501, 502; 297/445.1, 446.1

(56) **References Cited**

**U.S. PATENT DOCUMENTS**

D166,961 S	*	6/1952	Giglio	.....	D6/334
D329,543 S	*	9/1992	Shields	.....	D6/334
D376,700 S	*	12/1996	Brush	.....	D6/334
D379,269 S	*	5/1997	Hutton	.....	D6/334
D392,470 S	*	3/1998	Smith	.....	D6/334
D399,661 S	*	10/1998	Smith	.....	D6/334
D431,117 S	*	9/2000	Hutton	.....	D6/334
D442,787 S	*	5/2001	Hutton	.....	D6/334

**OTHER PUBLICATIONS**

Taylor Chair Co., #1530WB at bottom.\*  
Natuzzi Model 1834, International Home Furnishings Market, High Point, NC, Sep. 1999.\*

\* cited by examiner

*Primary Examiner*—Gary D. Watson

(74) *Attorney, Agent, or Firm*—Darby & Darby

(57) **CLAIM**

The ornamental design for a club chair, as shown and described.

**DESCRIPTION**

FIG. 1 is a perspective view of a club chair showing my new design;  
FIG. 2 is a left side elevational view, the right side being a mirror image thereof;  
FIG. 3 is a front elevational view;  
FIG. 4 is a rear elevational view;  
FIG. 5 is a top plan view; and,  
FIG. 6 is a bottom plan view.

**1 Claim, 3 Drawing Sheets**

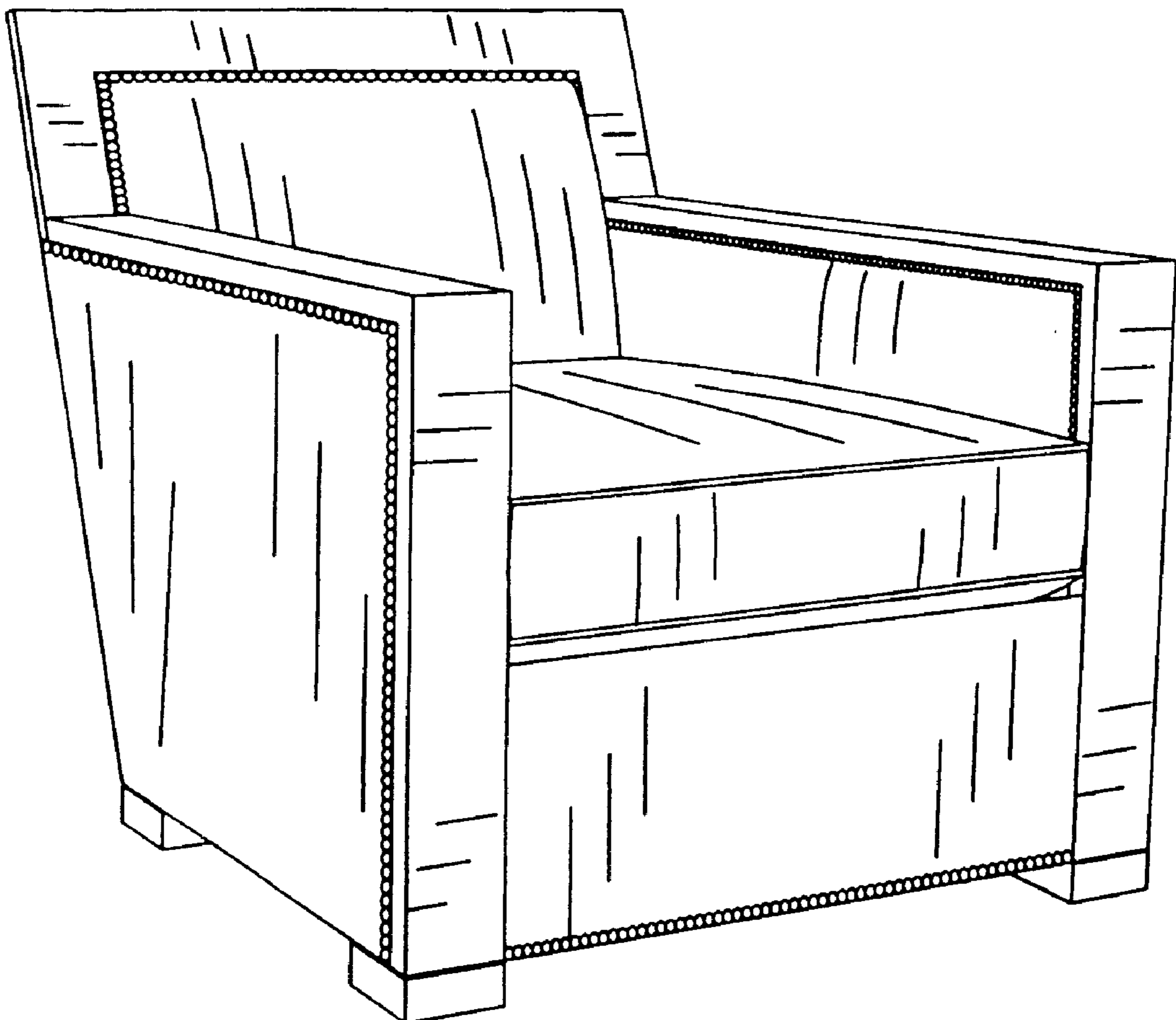


Figure 1

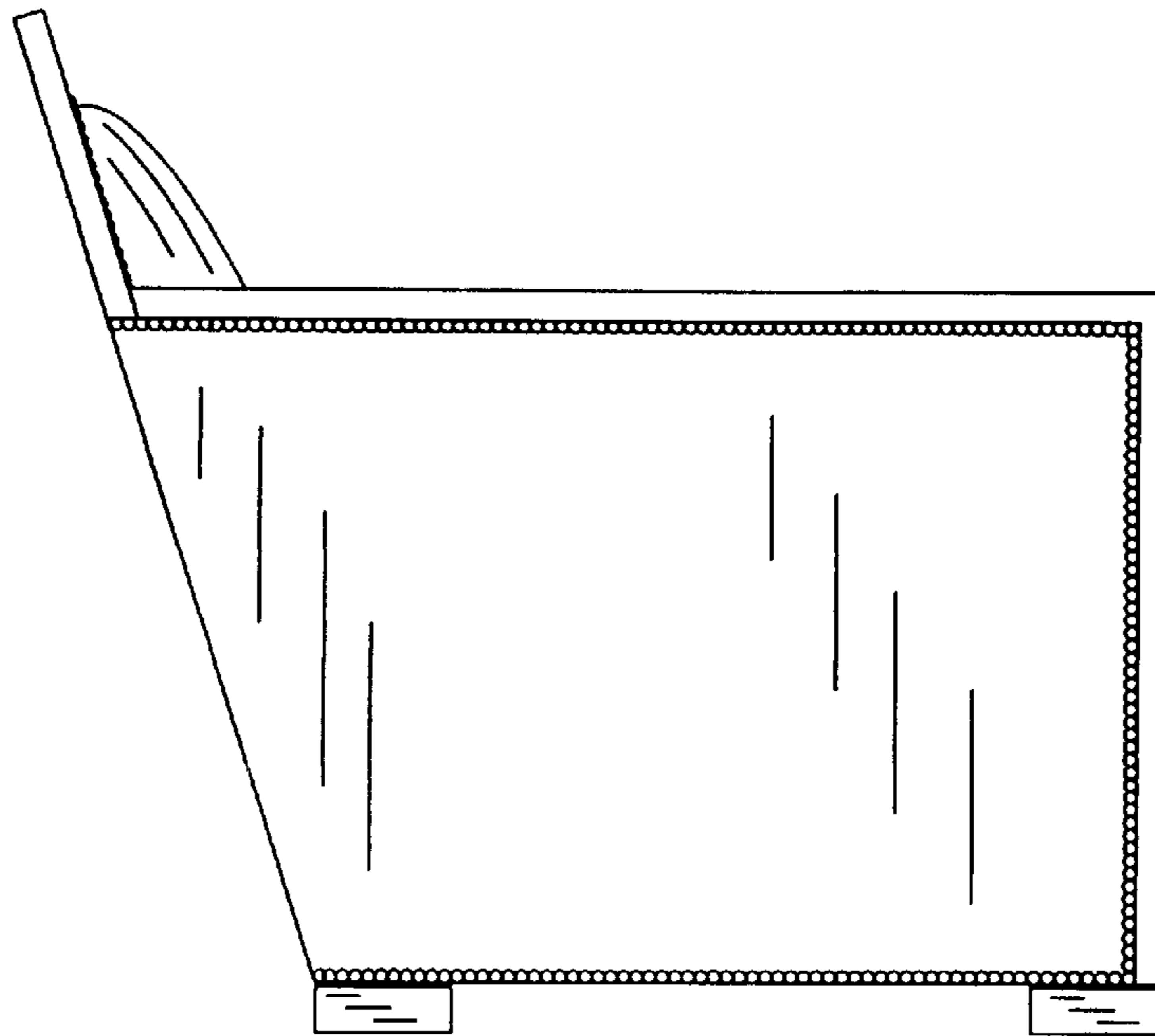
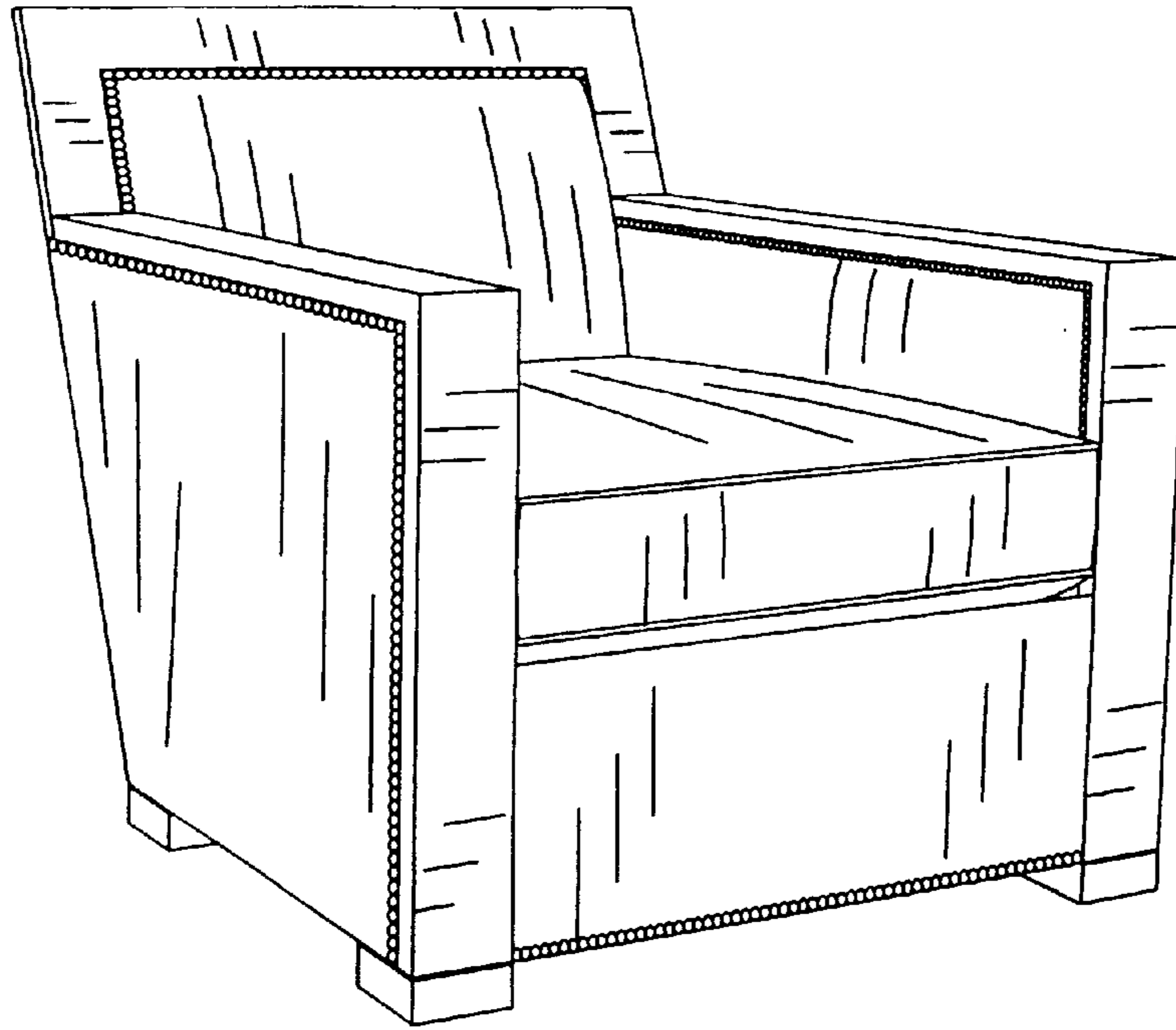


Figure 2

Figure 3

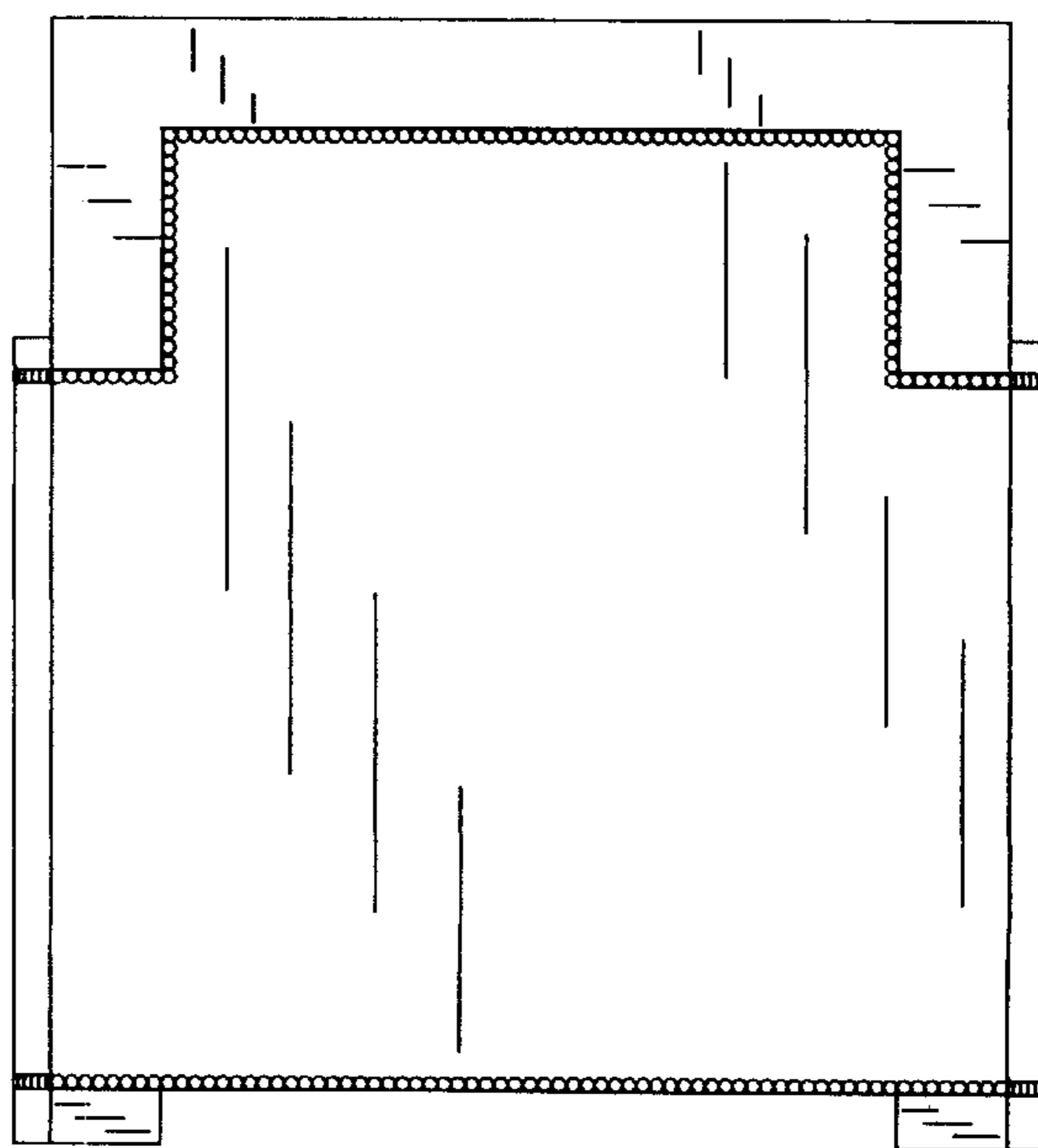
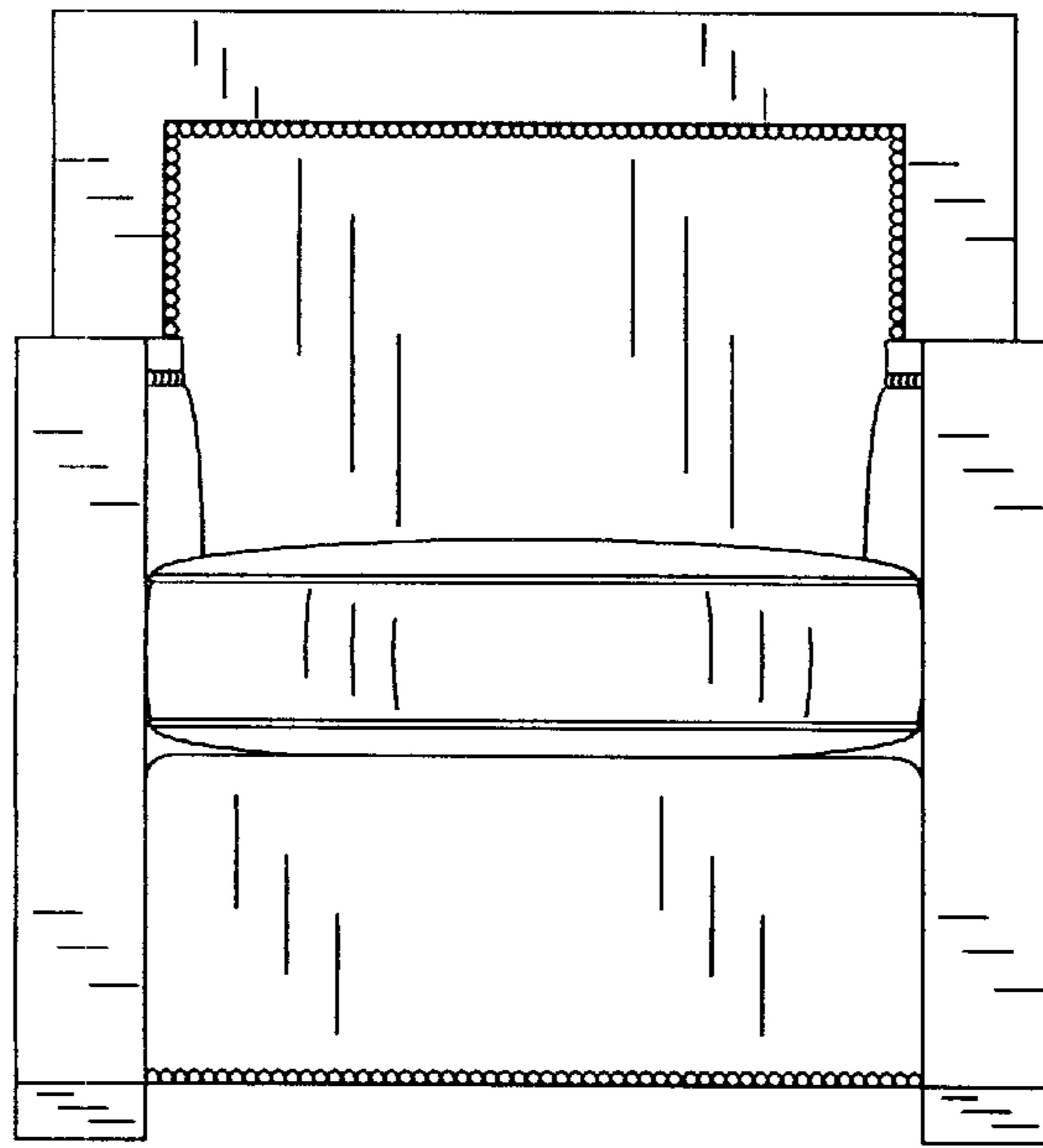


Figure 4

Figure 5

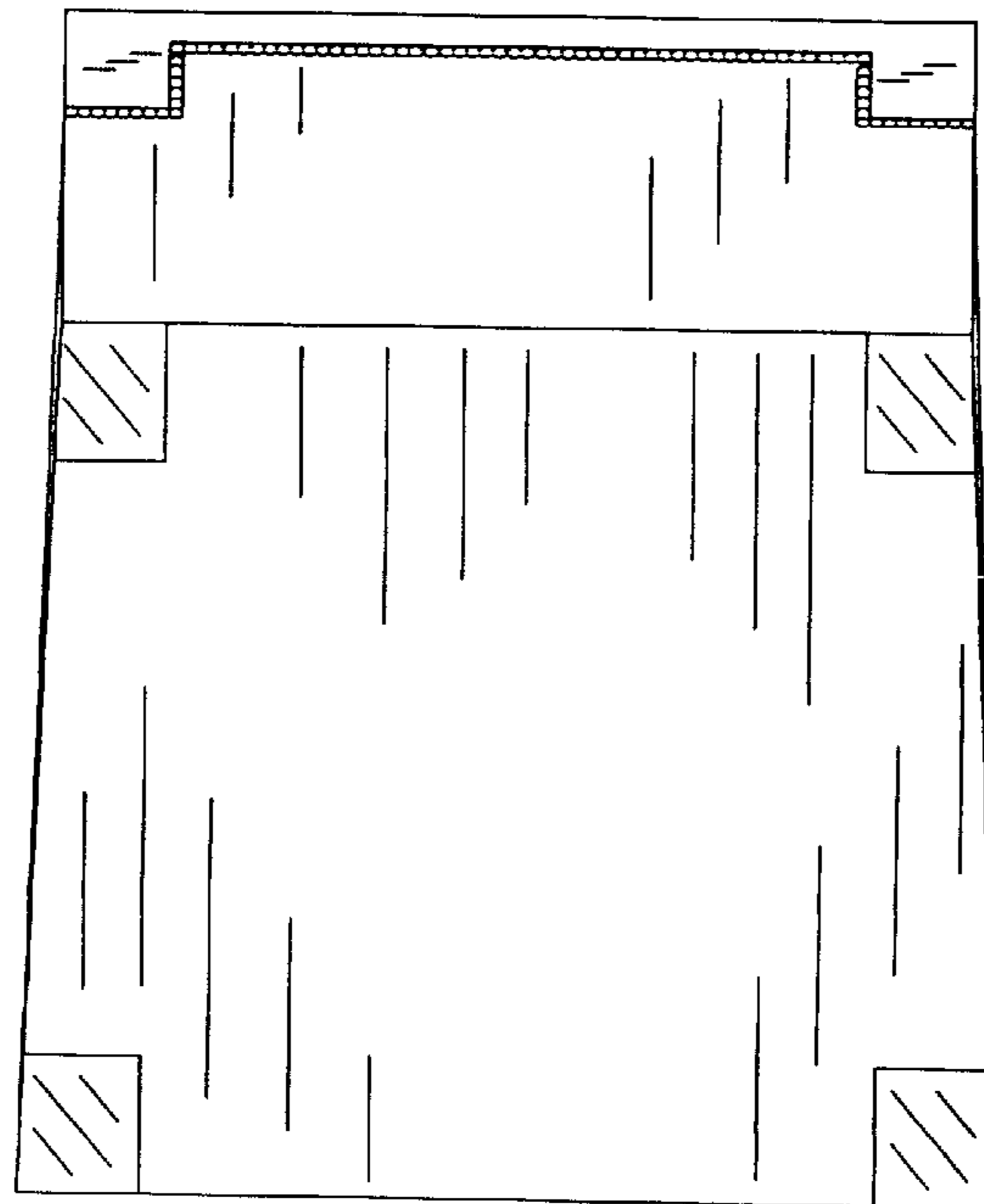
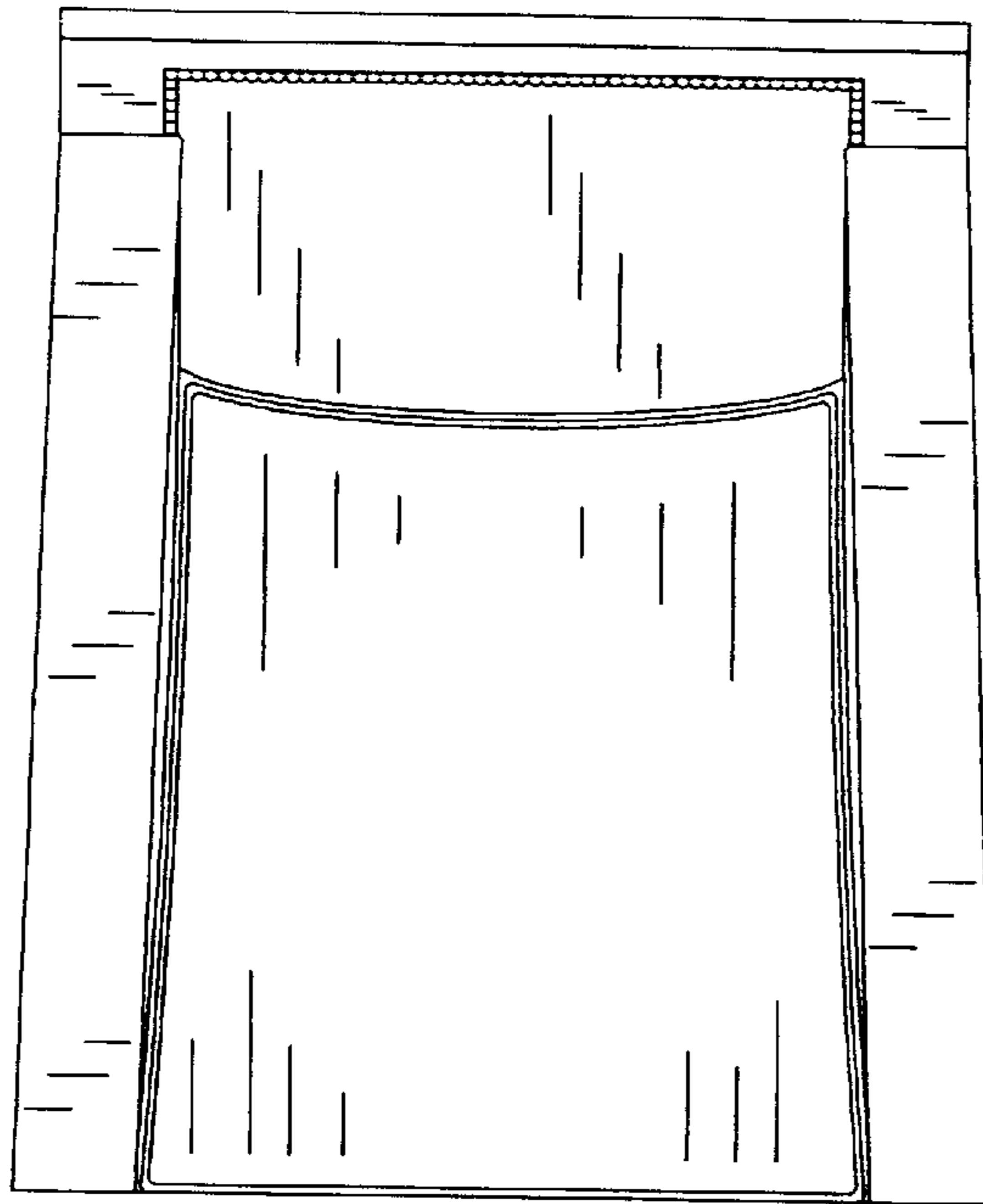


Figure 6